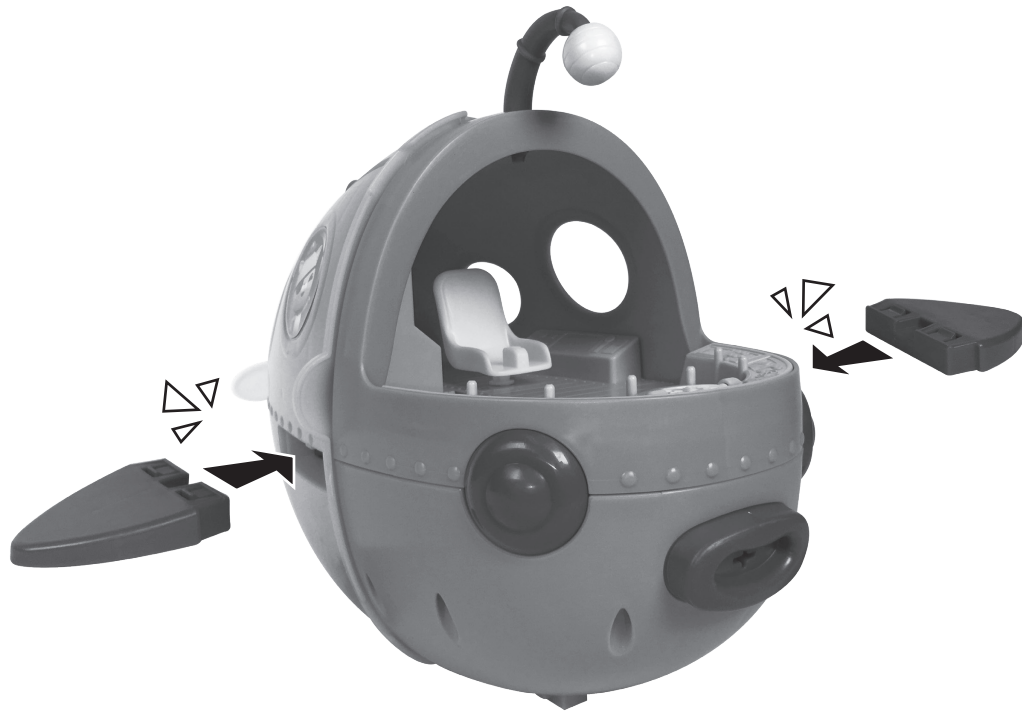


Assembly

ONE-TIME SNAPS:

Assembly steps are "one-time snaps". Once these parts are put together, they cannot be taken apart.



CONSUMER ASSISTANCE
 1-800-432-5437 (US & Canada)
 1300 135 312 (Australia)

service.fisher-price.com

Fisher-Price, Inc., 636 Girard Avenue, East Aurora, NY 14052.
 Hearing-impaired consumers: 1-800-382-7470.

Outside the United States:
 Canada: Mattel Canada Inc., 6155 Freemont Blvd., Mississauga, Ontario L5R 3W2: www.service.mattel.com.
 Great Britain: Mattel UK Ltd, Vanwall Business Park, Maidenhead SL6 4UB, Helpline: 01628 500303, www.service.mattel.com/uk
 Mattel Europa B.V., Godel 1, 1186 MJ Amstelveen, Nederland.
 Australia: Mattel Australia Pty, Ltd., 658 Church Street, Locked Bag #870, Richmond, Victoria 3121 Australia.
 New Zealand: 16-18 William Pickering Drive, Albany 1331, Auckland.
 SOUTH AFRICA: Mattel South Africa (PTY) LTD, Office 102 1B, 30 Melrose Boulevard, Johannesburg 2196.

OCTONAUTS™ OCTOPOD™ Meomi Design Inc.
 OCTONAUTS Copyright © 2018 Vampire Squid Productions Ltd, a member of the Silvergate Media group of companies.
 All rights reserved.

©2018 Mattel.

* and ™ designate U.S. trademarks of Mattel, except as noted.
PRINTED IN CHINA. Mattel East Asia Ltd., Room 503-09, North Tower, World Finance Centre, Harbour City, Tsimshatsui, HK, China. Tel.: (852) 3185-6500.



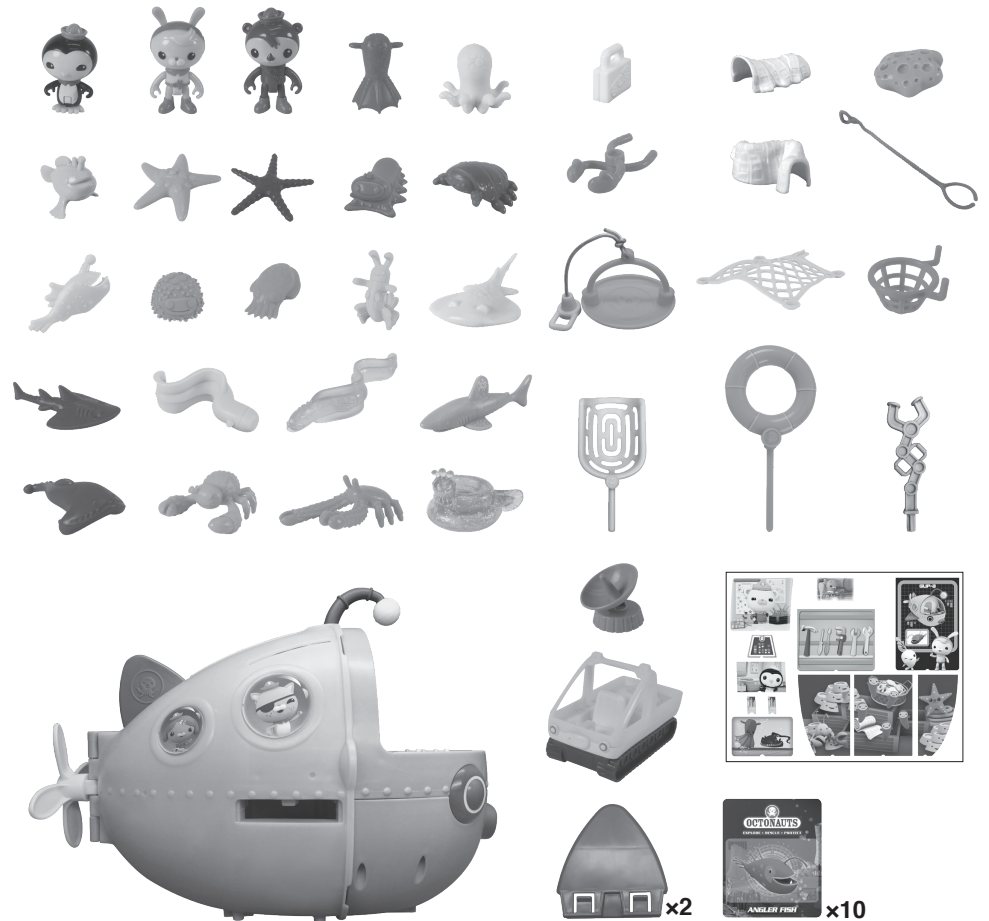
FNX38-0970
 1101996633-DOM



GUP-A MEGAPACK

Keep these instructions for future reference as they contain important information.

What's Included



Adult assembly required. No tools needed.

Glow-in-the-dark feature will last longer if you do not expose this product to intense heat or direct sunlight for prolonged periods of time. Place product approximately 152 cm (5 feet) away from a light source for 30 seconds. Placing product closer will not intensify the glowing feature.

WARNING: CHOKING HAZARD - Small parts. Not for children under 3 years.

Label Placement

