

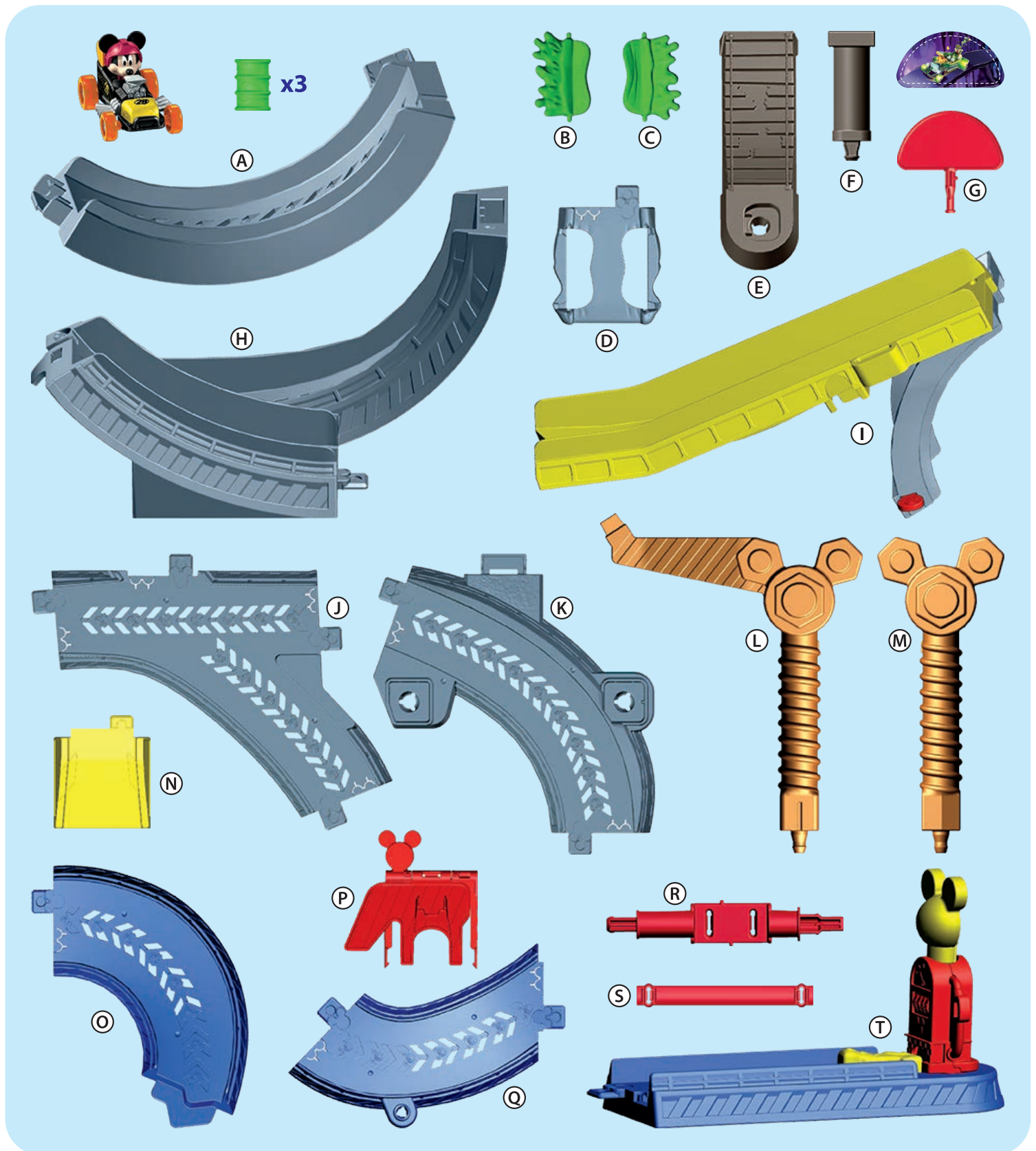


# SUPER CHARGED MICKEY DROP & LOOP PLAYSET

## INSTRUCTIONS

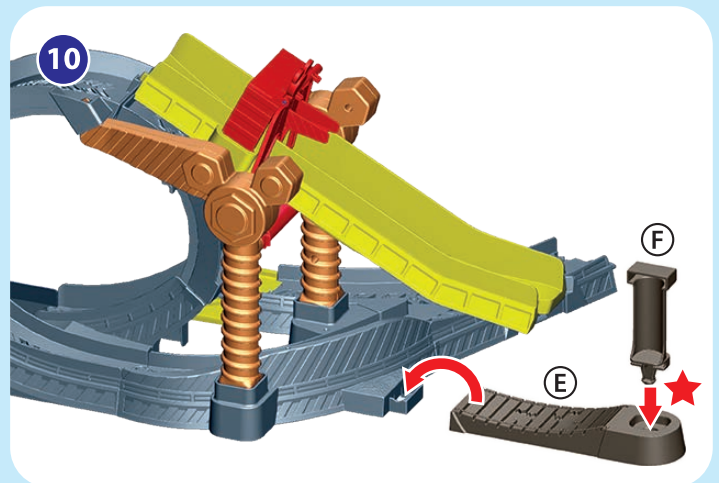
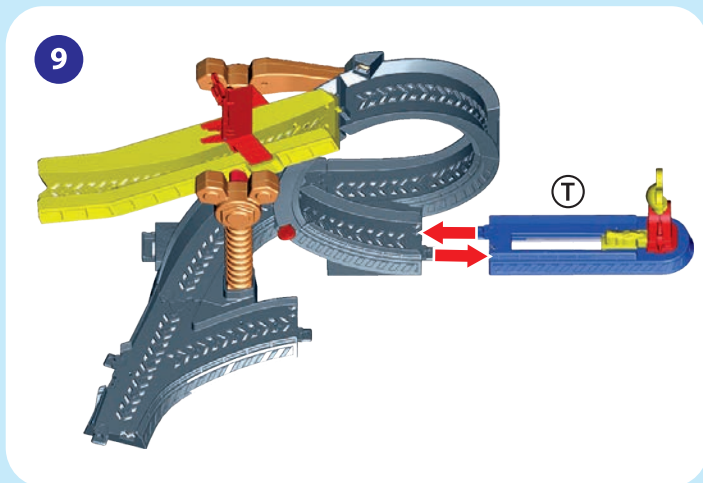
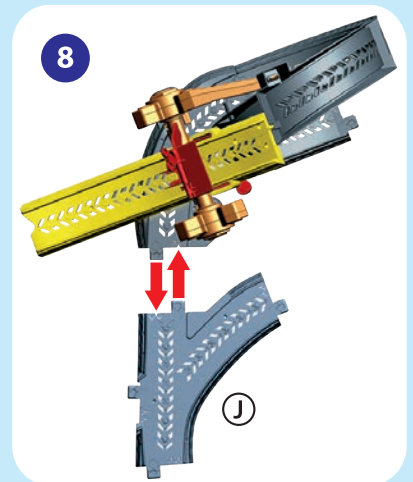
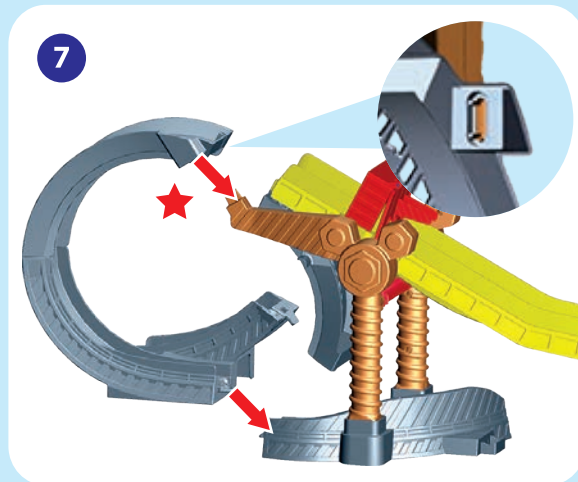
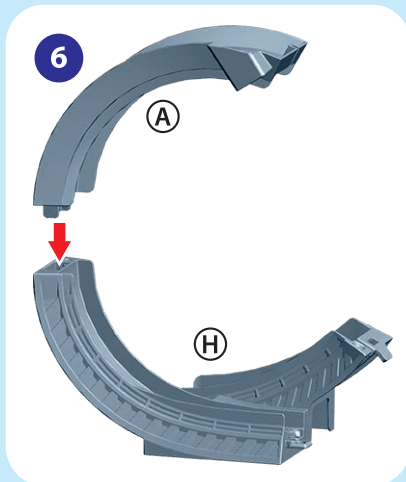
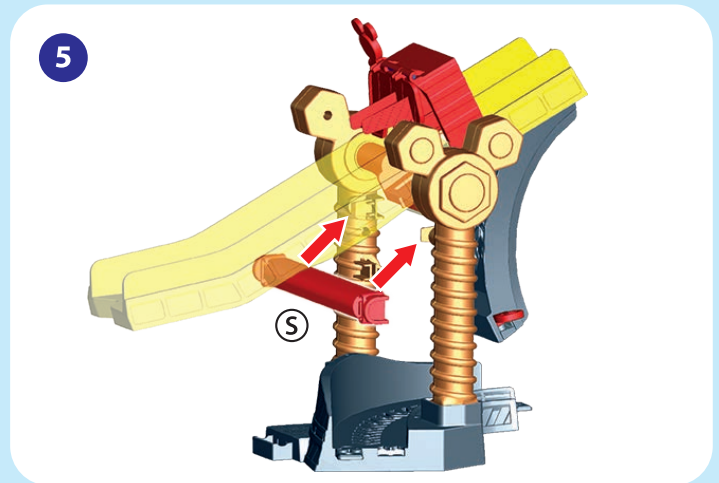
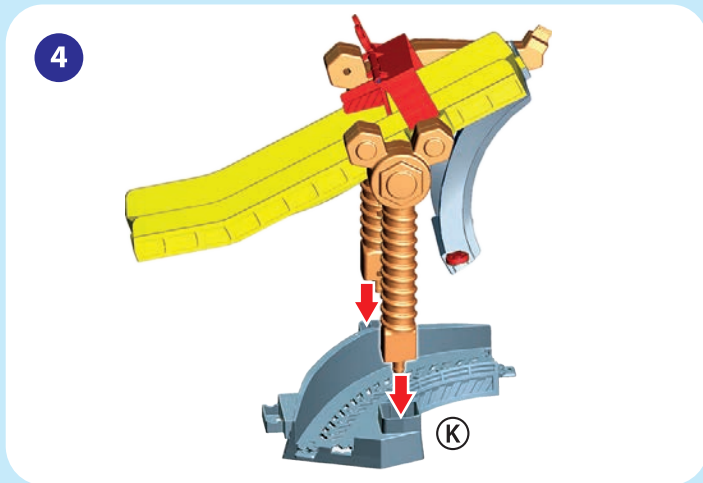
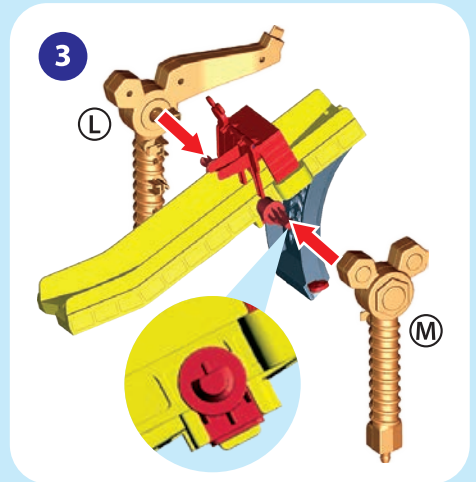
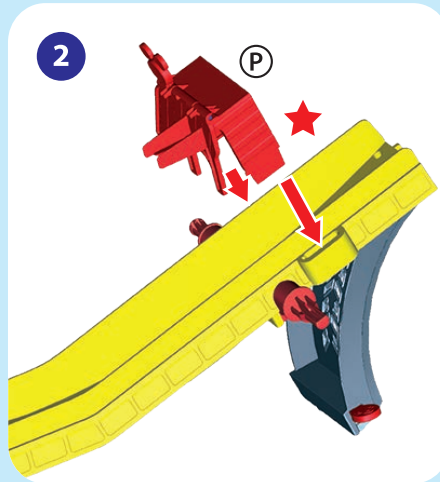
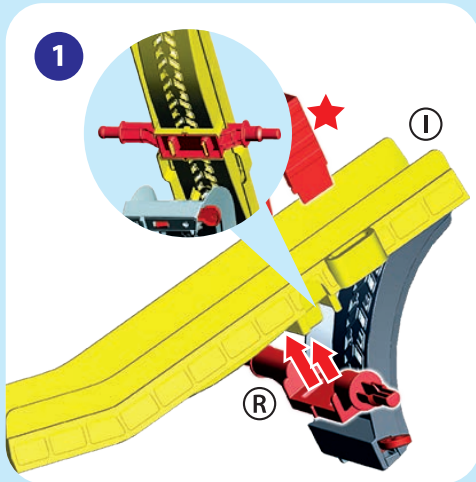
Keep these instructions for future reference as they contain important information.

### WHAT'S INCLUDED



# ASSEMBLY

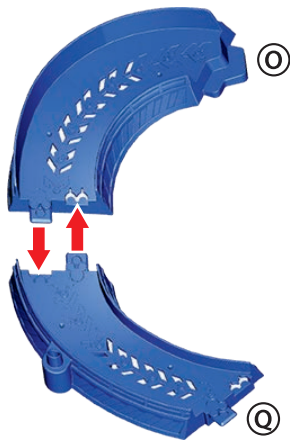
★ **NOTE:** Steps marked with a star are "one-time snaps". Press firmly until each part clicks into place. Once these pieces are snapped together, they cannot be taken apart.



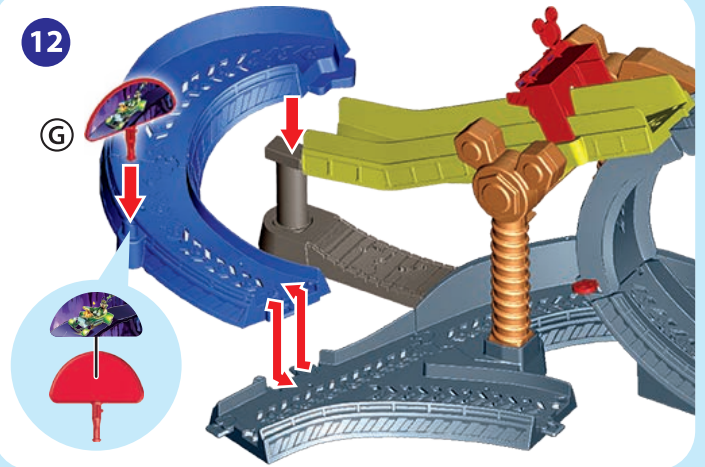


# ASSEMBLY

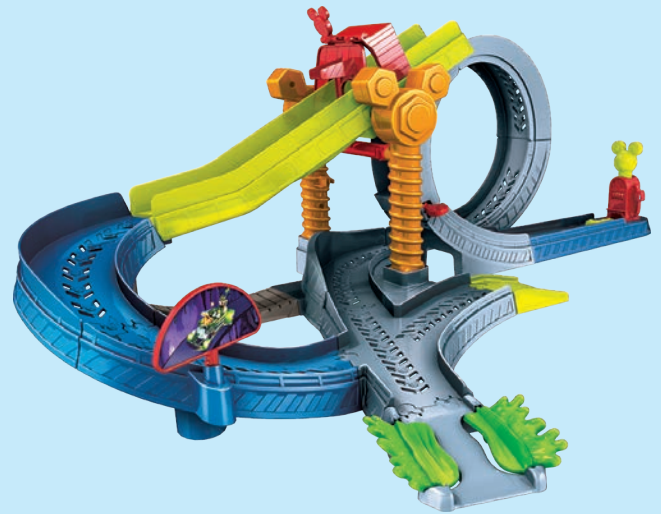
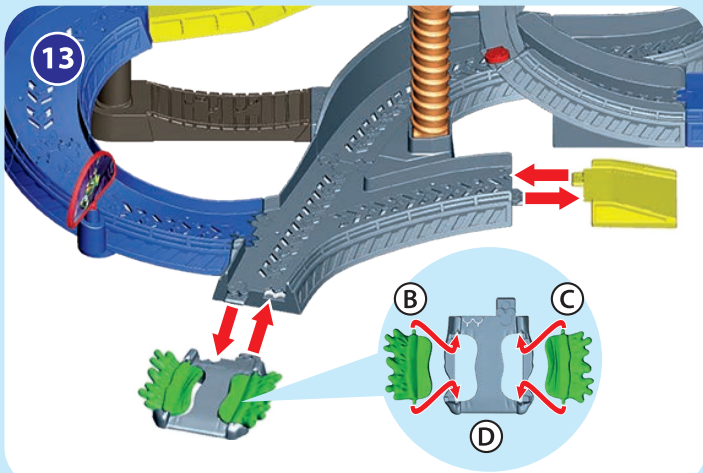
11



12

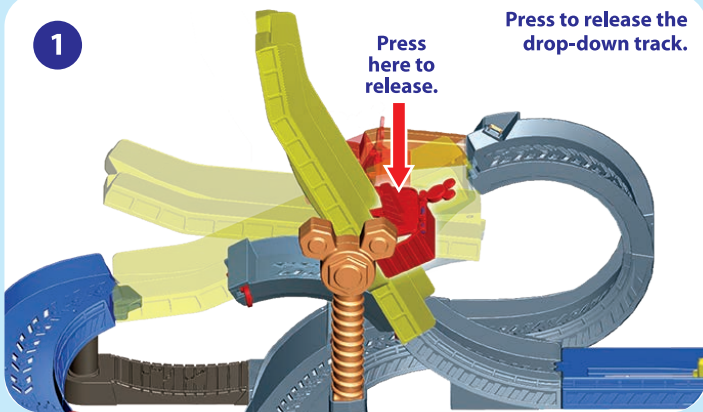


13

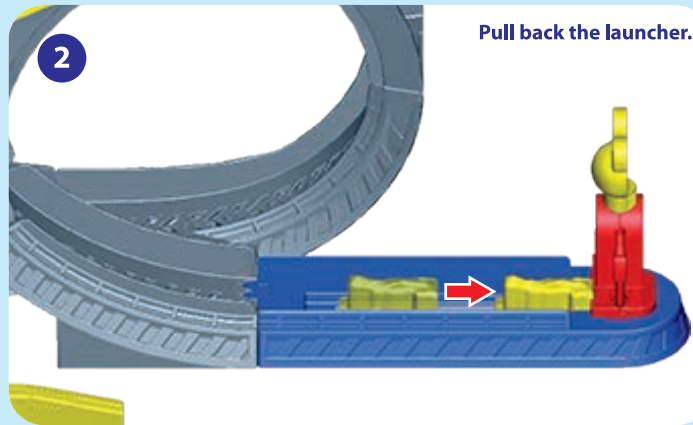


## HOW TO PLAY: 360° LOOP

1



2



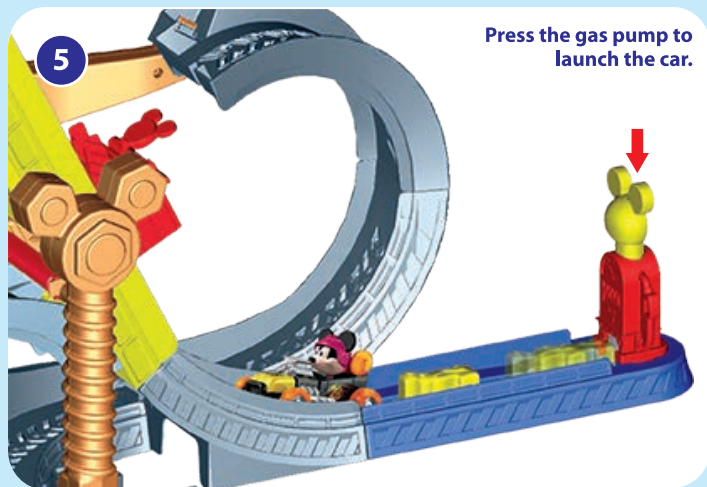
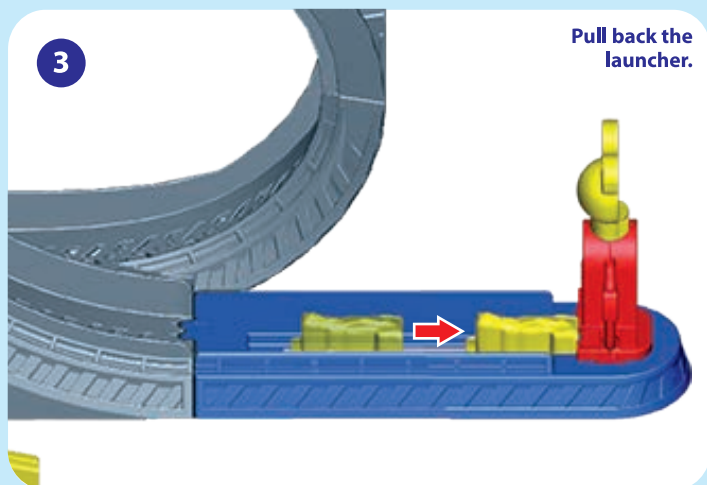
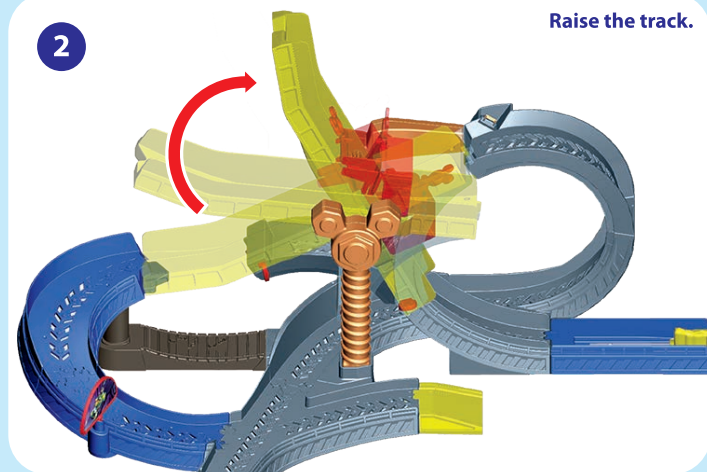
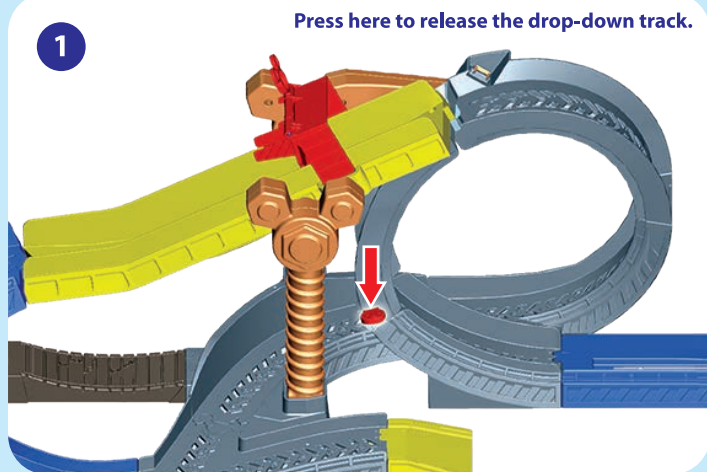
3



4



# HOW TO PLAY: DROP-DOWN VERTICAL TRACK



**CONSUMER ASSISTANCE**  
 1-800-432-5437 (US & Canada)  
 1300 135 312 (Australia)  
[service.fisher-price.com](http://service.fisher-price.com)

Fisher-Price, Inc., 636 Girard Avenue, East Aurora, NY 14052.  
 Hearing-impaired consumers: 1-800-382-7470.

**Outside the United States:**

Canada: Mattel Canada Inc., 6155 Freemont Blvd.,  
 Mississauga, Ontario L5R 3W2; [www.service.mattel.com](http://www.service.mattel.com).

Great Britain: Mattel UK Ltd, Vanwall Business Park,  
 Maidenhead SL6 4UB. Helpline: 01628 500303.  
[www.service.mattel.com/uk](http://www.service.mattel.com/uk)

Mattel Europa B.V., Gondel 1, 1186 MJ Amstelveen, Nederland.

Australia: Mattel Australia Pty. Ltd., 658 Church Street,  
 Locked Bag #870, Richmond, Victoria 3121 Australia.

New Zealand: 16-18 William Pickering Drive,  
 Albany 1331, Auckland.

South Africa: Mattel South Africa (PTY) LTD, Office 102 I3,  
 30 Melrose Boulevard, Johannesburg 2196.

© Disney

©2018 Mattel. ® and ™ designate U.S. trademarks of Mattel, except as noted.

**PRINTED IN CHINA.**

Mattel East Asia Ltd., Room 503-09, North Tower, World Finance Centre,  
 Harbour City, Tsimshatsui, HK, China. Tel.: (852) 3185-6500.

FPJ57-0970  
 1101709634-DOM

FPJ57

**Fisher-Price®**