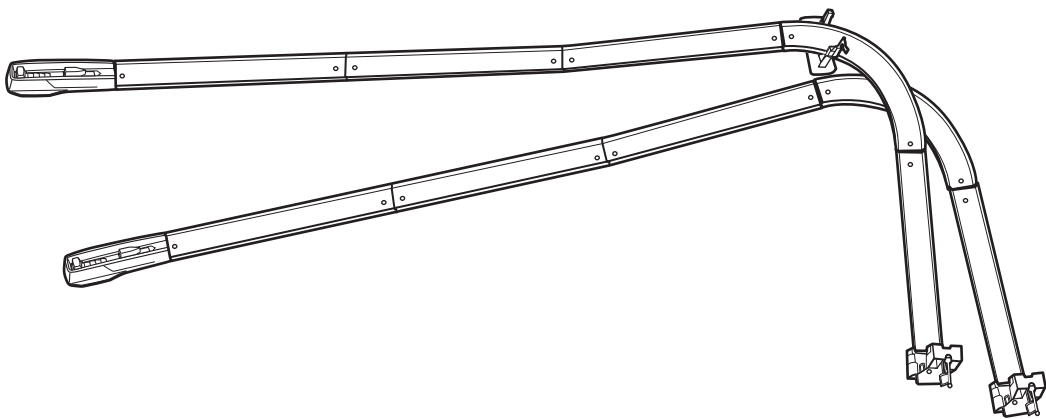




## TURBO RACE™ SET



**4+**

service.mattel.com

**HOTWHEELS.COM**

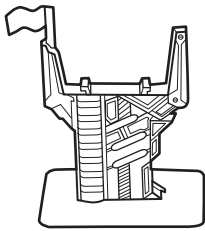
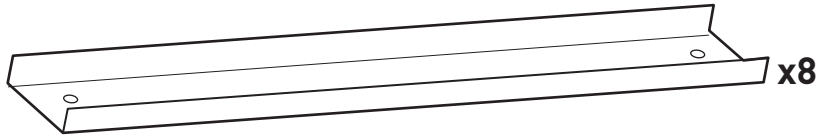
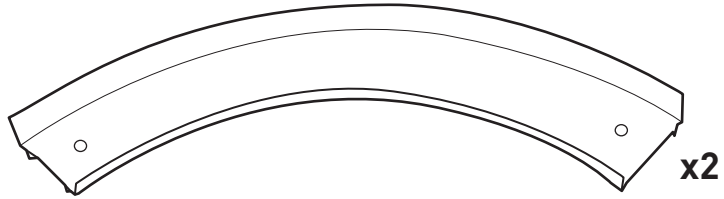
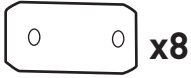
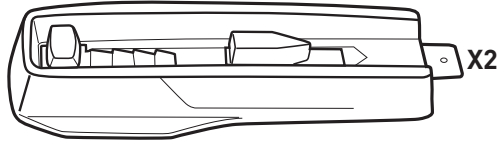
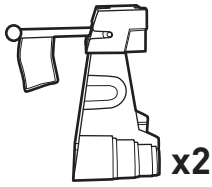
 **WARNING:**  
CHOKING HAZARD - Small parts.  
Not for children under 3 years.



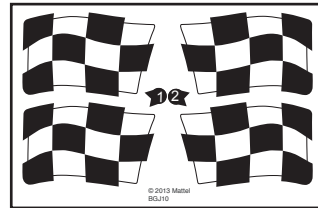
FPV64\_0970  
1101588992\_DOM-G1

PLEASE KEEP THESE INSTRUCTIONS FOR FUTURE REFERENCE AS THEY CONTAIN IMPORTANT INFORMATION.

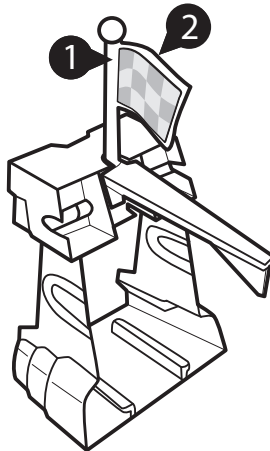
# CONTENTS



LABEL SHEET

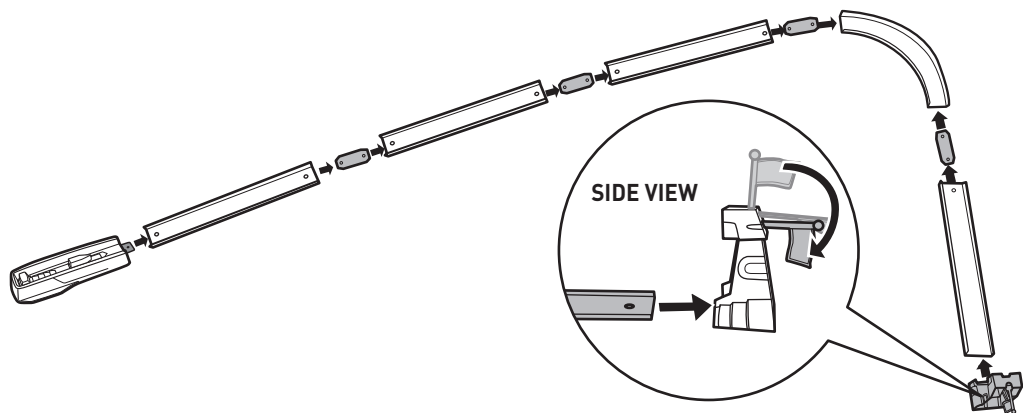


# APPLY LABELS

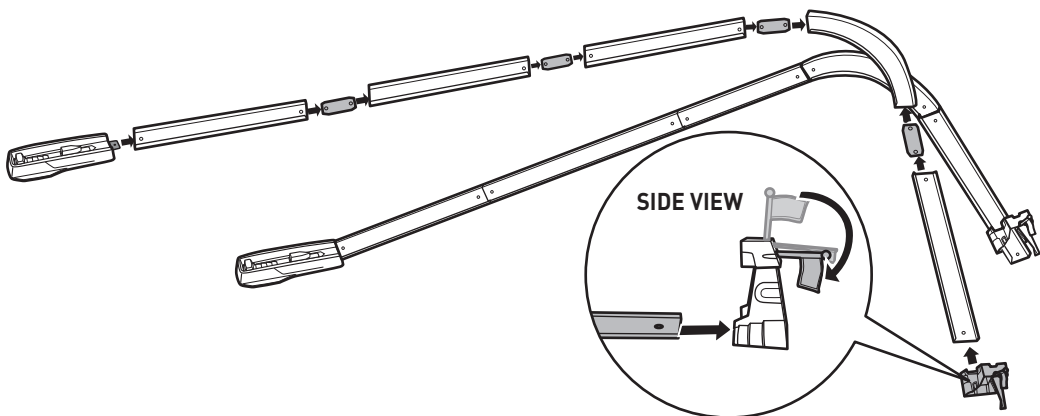


# ASSEMBLY

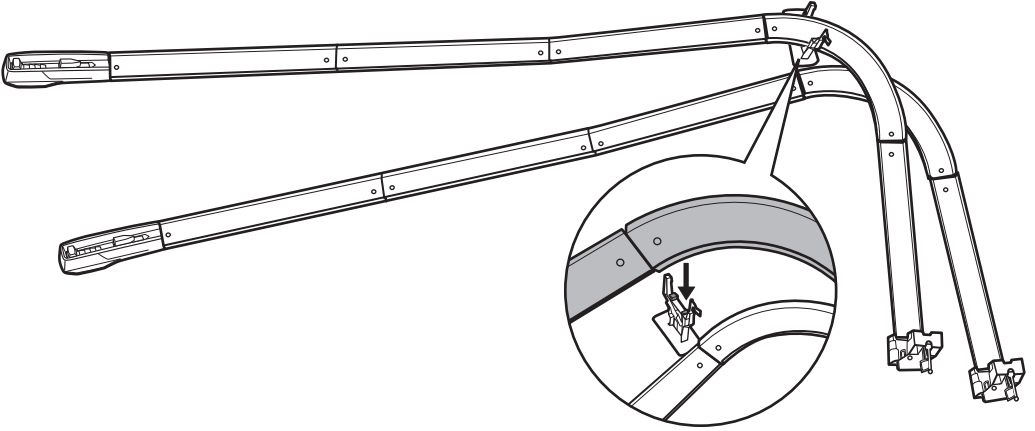
1.



2.



3.

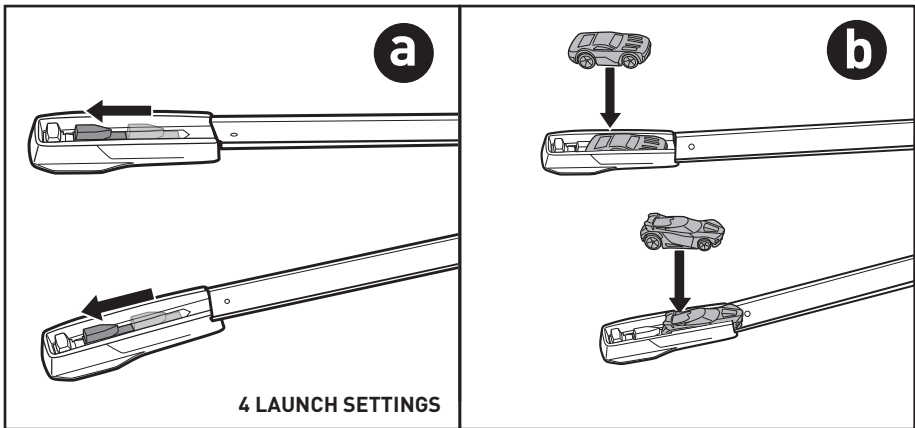


NOT FOR USE WITH SOME HOT WHEELS® VEHICLES

# TO PLAY

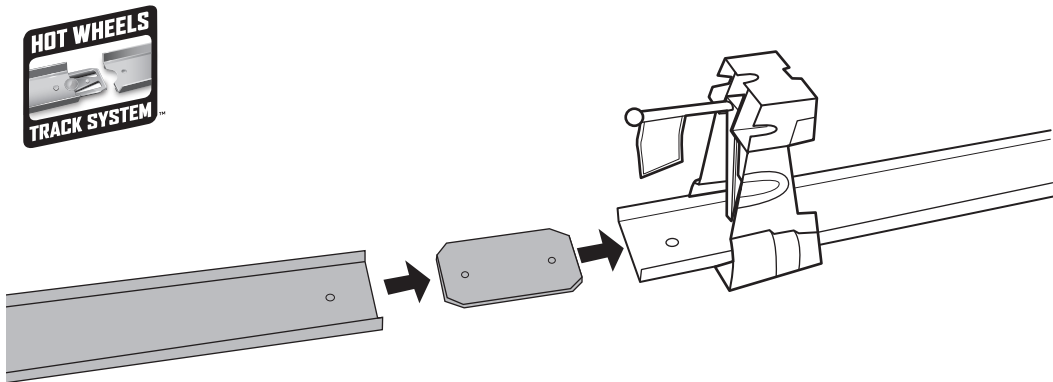
1. Pull launcher back and lock into place. There are 4 launch settings, the further back you lock in, the faster the launch!

Try different launch settings to find the best performance.



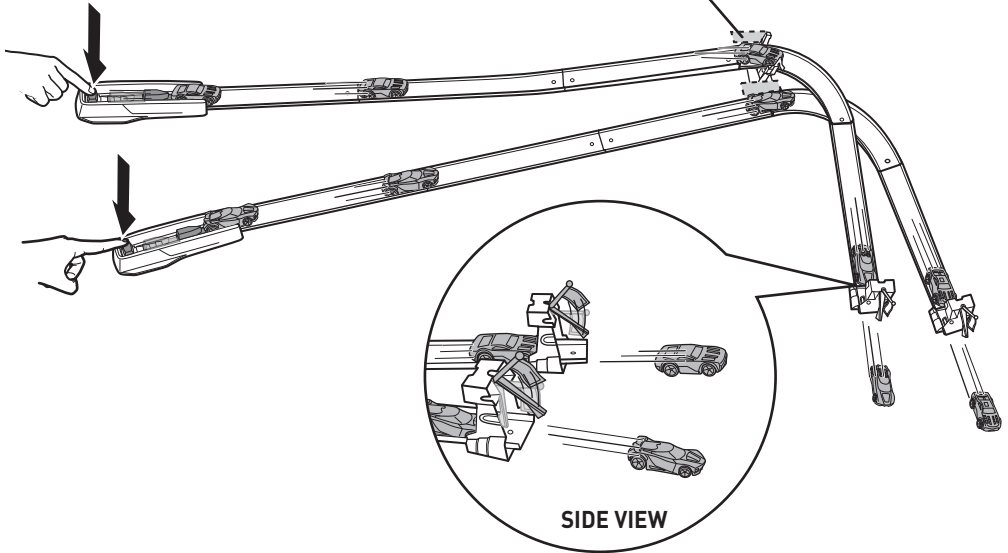
## MORE WAYS TO PLAY

Connect to Hot Wheels® sets (sold separately).



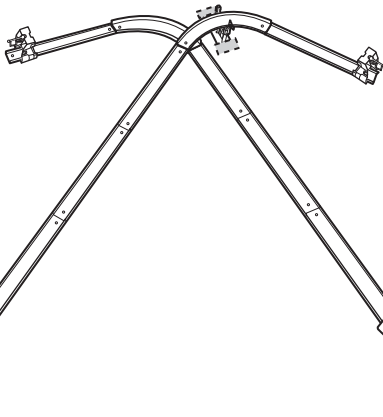
2.

For optimal results, use low-adhesive tape to attach supports to playing surface.

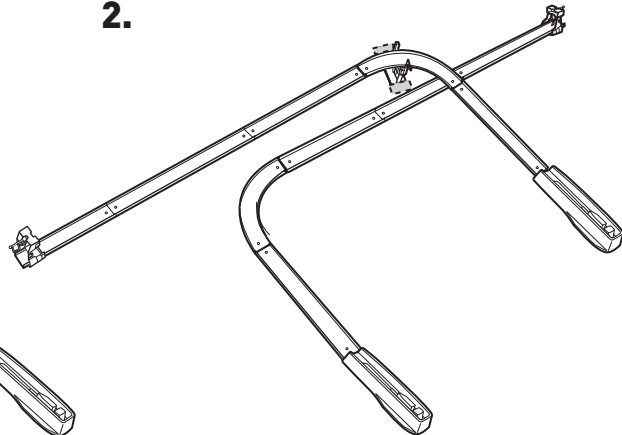


## BUILD MULTIPLE LAYOUTS

1.



2.



©2017 Mattel. All Rights Reserved. Mattel, Inc., 636 Girard Avenue, East Aurora, NY 14052, U.S.A. Consumer Services 1-800-524-8697. Mattel U.K. Ltd., Vanwall Business Park, Maidenhead SL6 4UB. Helpline 01628 500303. Mattel Australia Pty., Ltd., Richmond, Victoria. 3121. Consumer Advisory Service - 1300 135 312. Mattel East Asia Ltd., Room 503-09, North Tower, World Finance Centre, Harbour City, Tsimshatsui, HK, China. Tel.: (852) 3185-6500. Diimport & Diedarkan Oleh: Mattel Southeast Asia Pte. Ltd., No 19-1, Tower 3 Avenue 7, Bangsar South City, No 8, Jalan Kerinchi, 59200 Kuala Lumpur, Malaysia. Tel: 03-78803817, Fax: 03-78803867.