



INSTRUCTIONS

CORKSCREW CRASH™



COLORS AND DECORATIONS MAY VARY.

INCLUDES 1 VEHICLE. ADDITIONAL VEHICLES SOLD SEPARATELY.

NOT FOR USE WITH SOME HOT WHEELS® VEHICLES.

ADULT ASSEMBLY REQUIRED

REQUIRES 4 - D SIZE (LR20) ALKALINE BATTERIES (NOT INCLUDED).

DISPOSE OF BATTERIES SAFELY.

AGES

5-10

service.mattel.com

HOTWHEELS.COM



FTB65-0970

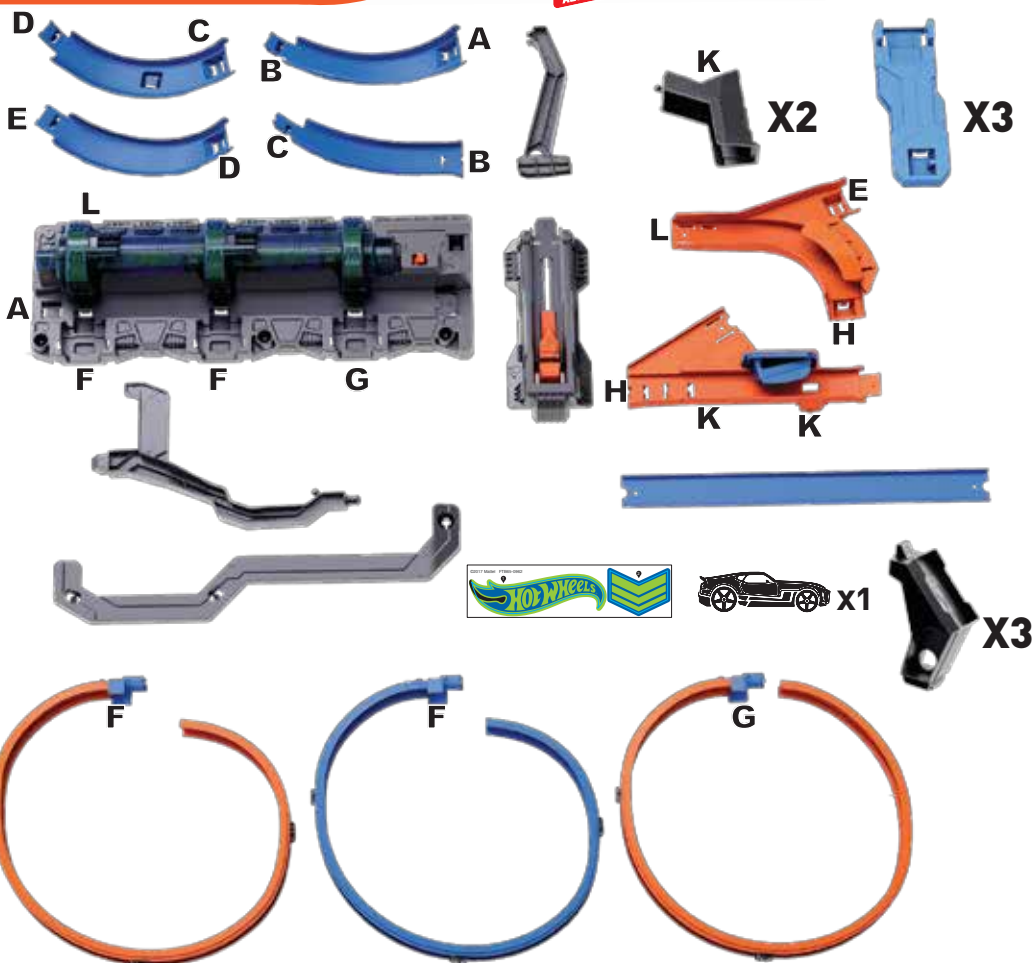
1101664505-DOM G2

PLEASE KEEP THESE INSTRUCTIONS FOR FUTURE REFERENCE AS THEY CONTAIN IMPORTANT INFORMATION.

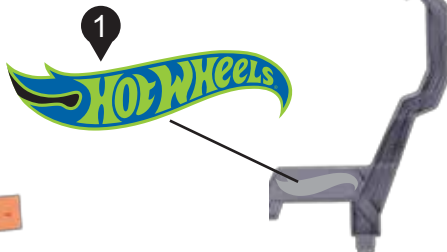
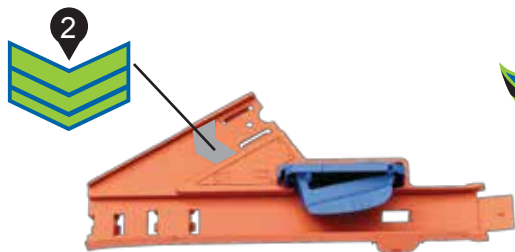
CONTENTS



Refer to letters on toy parts and instructions to help with assembly.

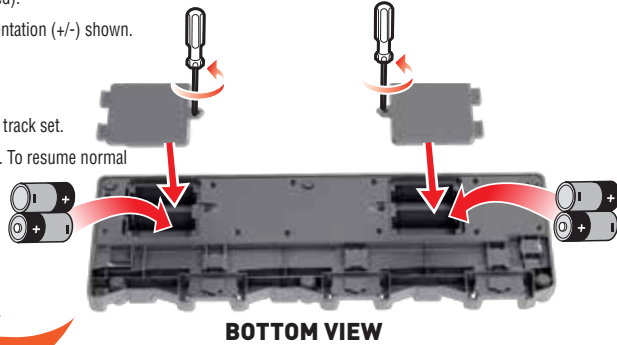


APPLY LABELS



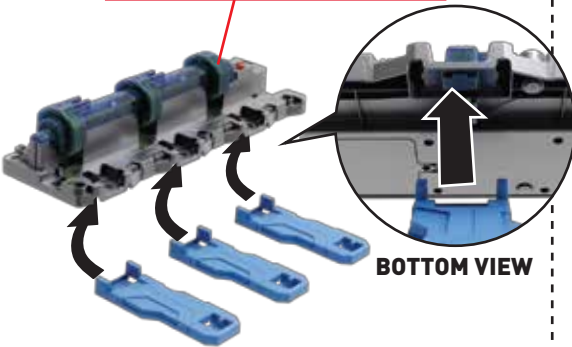
BATTERY INSTALLATION

- Unscrew the battery cover with a Phillips head screwdriver (not included).
- Install 4 new "D" size (LR20) alkaline batteries (not included) in the orientation (+/-) shown.
- Replace battery cover and tighten screws.
- For longer life use alkaline batteries.
- Replace the batteries if boosters can no longer propel vehicles through track set.
- When exposed to an electrostatic source, the product may malfunction. To resume normal operation, remove and re-install the batteries.

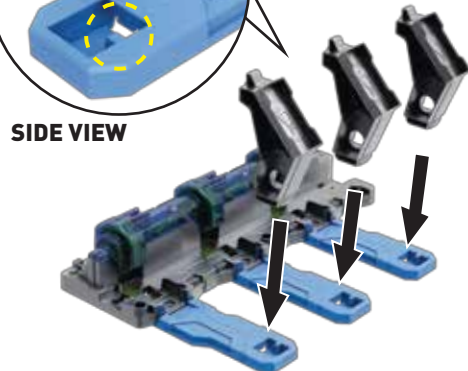


ASSEMBLY

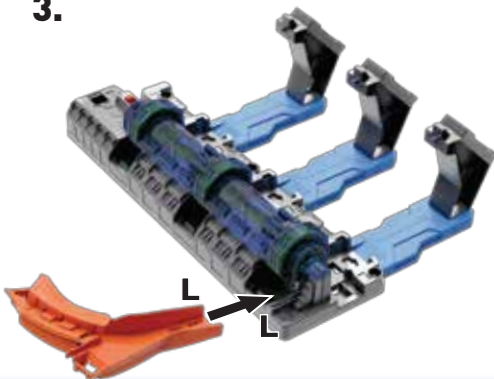
1. INSTALL BATTERIES FIRST.



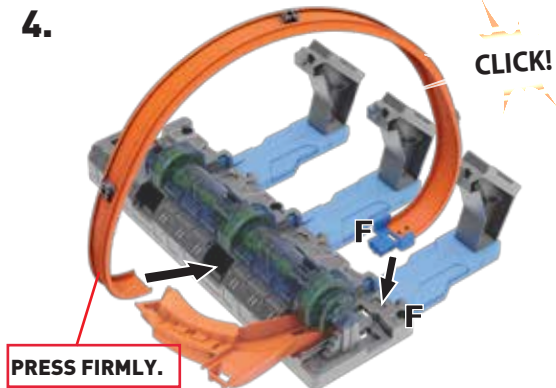
2. X3



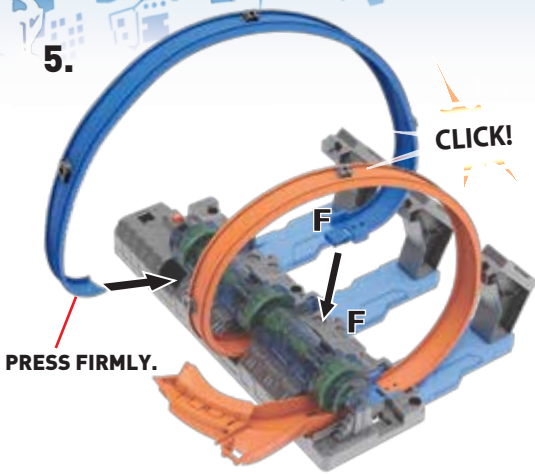
3.



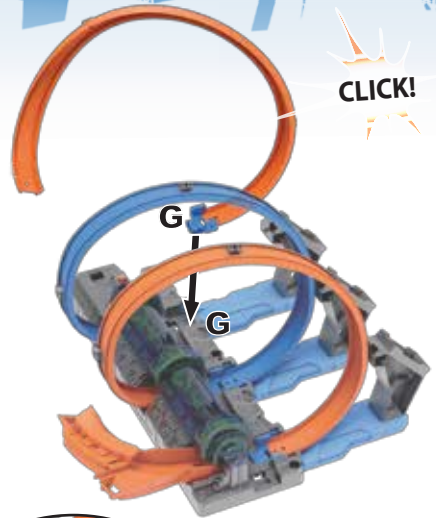
4.



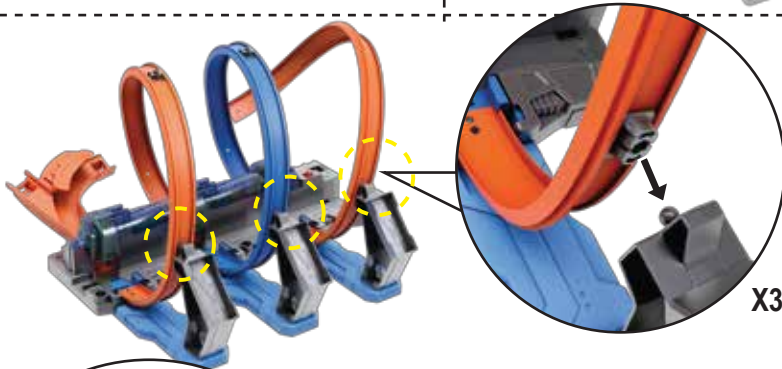
5.



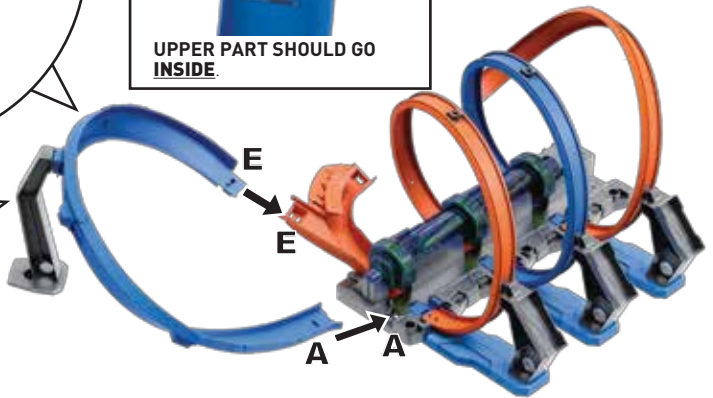
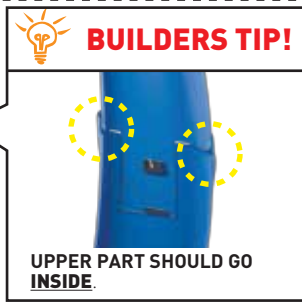
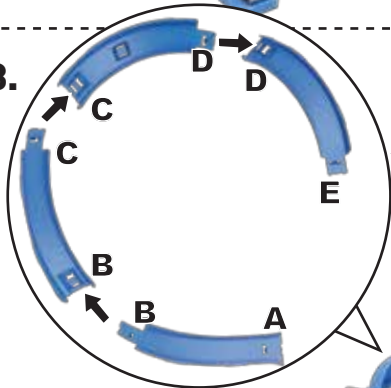
6.



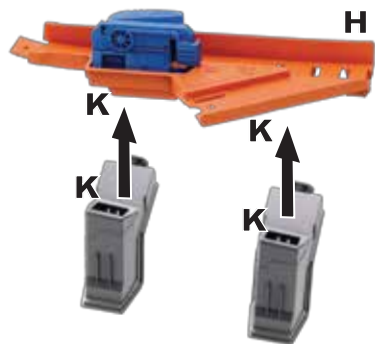
7.



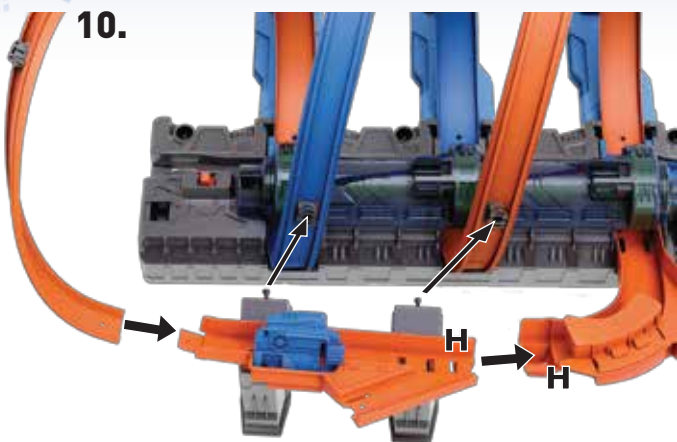
8.



9.



10.

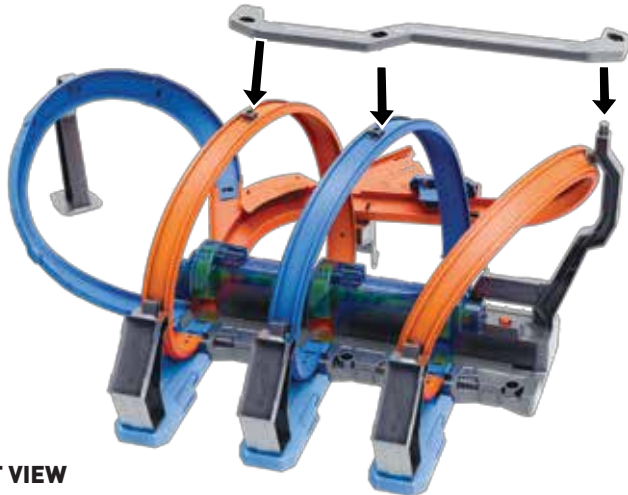


BACK VIEW

11.



12.



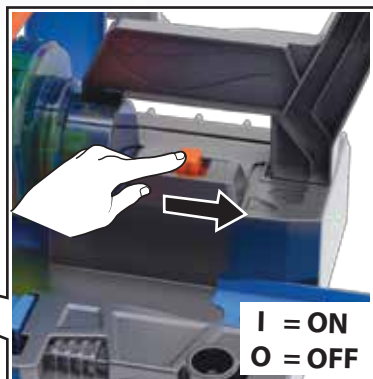
FRONT VIEW

13.

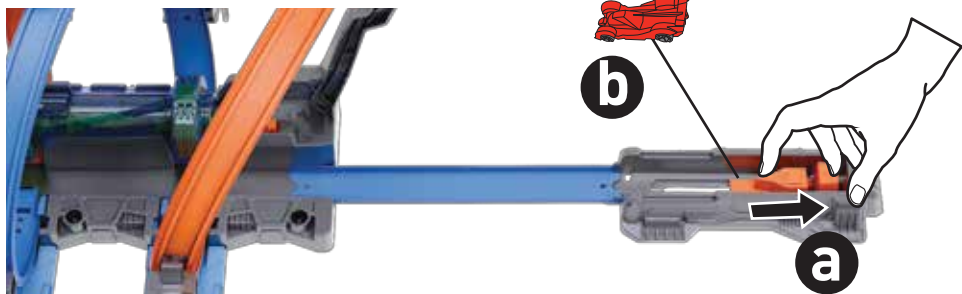


TO PLAY

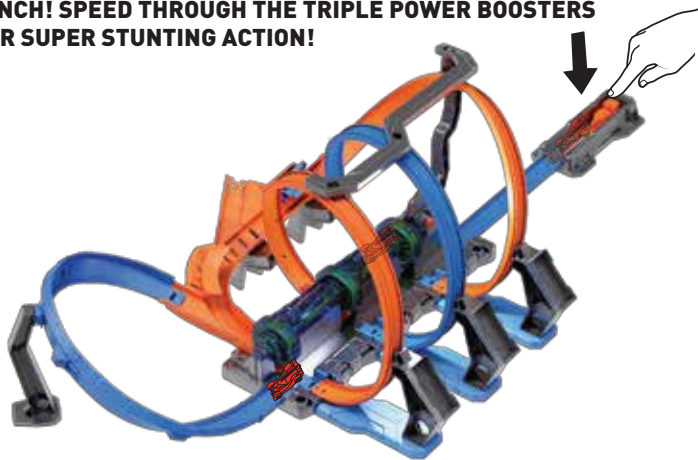
1. POWER ON.



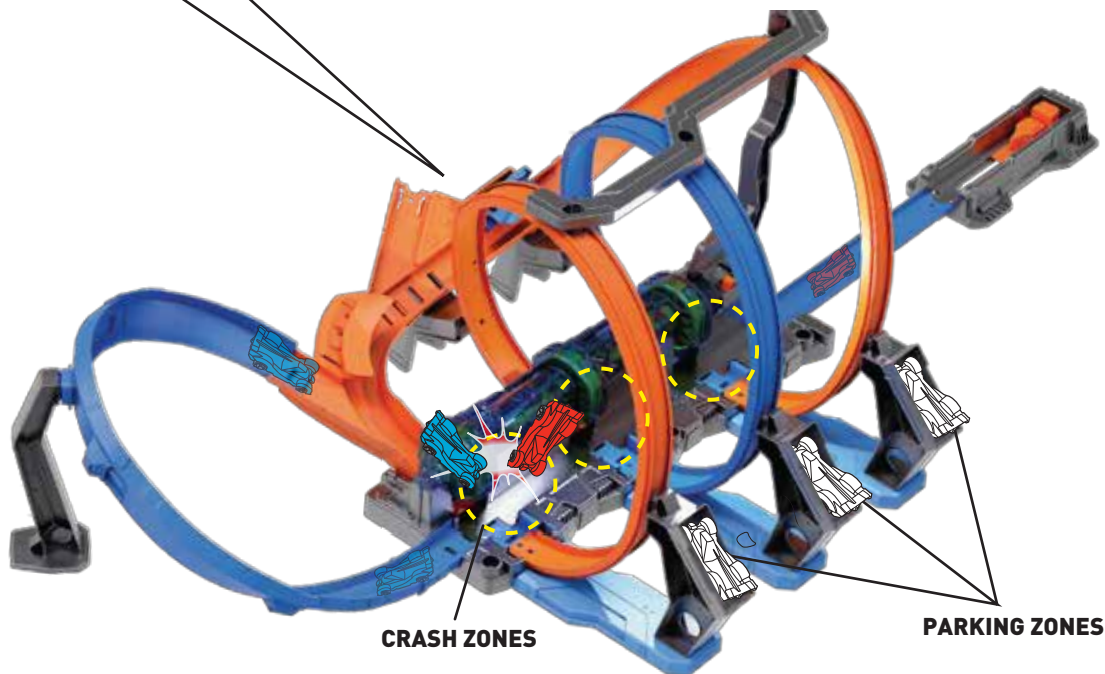
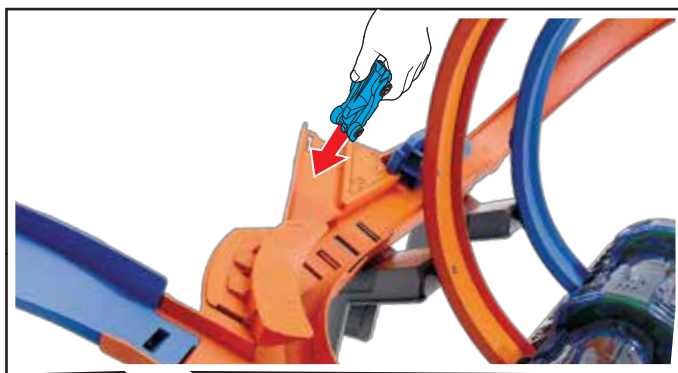
2. PULL BACK THE LAUNCHER AND LOAD YOUR CAR.



3. PRESS TO LAUNCH! SPEED THROUGH THE TRIPLE POWER BOOSTERS AND LOOPS FOR SUPER STUNTING ACTION!



**4. RACE AND CRASH OUT YOUR FRIENDS!
USE THE LAUNCHER OR LAUNCH RAMP TO ADD MORE CARS TO THE ACTION!**

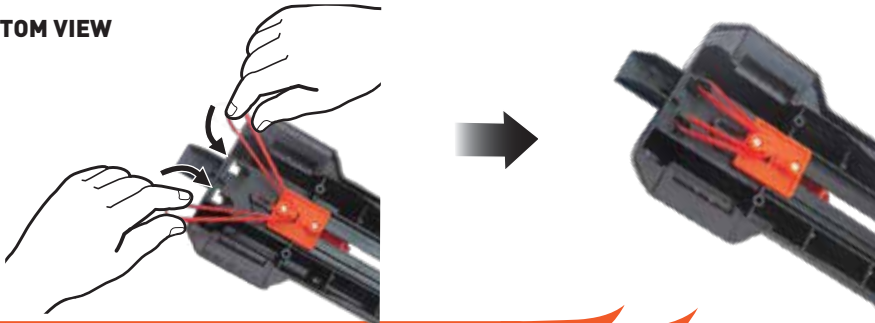


**HOW MANY MORE CARS CAN YOU ADD WITHOUT GETTING WIPED OUT
IN THE CRASH ZONES?**

REPLACING RUBBER BAND

HOOK RUBBER BAND INTO SLOTS ON LAUNCHER.

BOTTOM VIEW



TROUBLESHOOTING TIPS

Q. My vehicle keeps crashing on the track for no reason. What is the problem?

A. Clear all obstructions on the track. Adjust track side walls at each connection point and make sure they are assembled as described in the assembly steps.

STEP 8



UPPER PART SHOULD GO INSIDE.

Q. My vehicle keeps slowing down by itself on the track. What is the problem?

A. Lint may collect around your vehicle's axles. This may cause the vehicle to run slowly. Use tweezers or a toothpick to remove lint.

NOT FOR USE WITH SOME HOT WHEELS® VEHICLES.

