



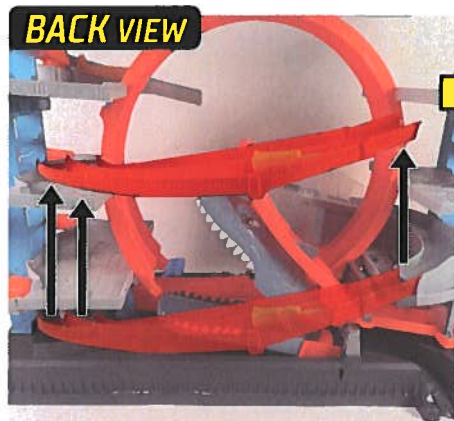
LAUNCHER REPLACEMENT INSTRUCTIONS

FOLLOW THE INSTRUCTIONS CAREFULLY AND KEEP THESE FOR FUTURE REFERENCE.

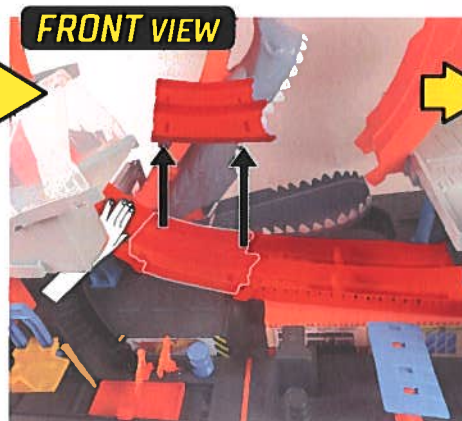
- Adult assembly is required. Tool needed for assembly: Phillips Screwdriver (not included).
- Included 4 pcs screws (Spare parts).

WARNING:
CHOKING HAZARD - Small parts.
Not for children under 3 years.

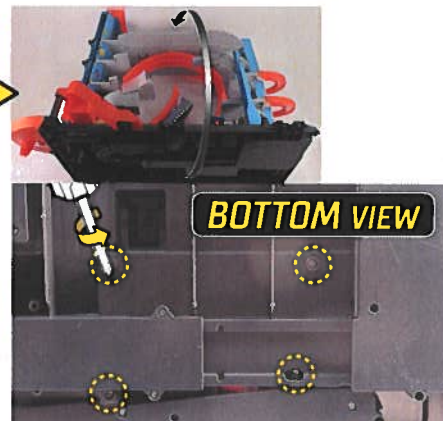
1 Detach track pieces at the back by lifting each end at a slight angle as shown.



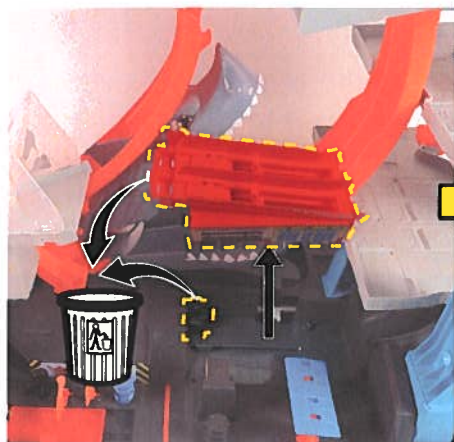
2 Detach the track piece connecting the launcher at a slight angle as shown.



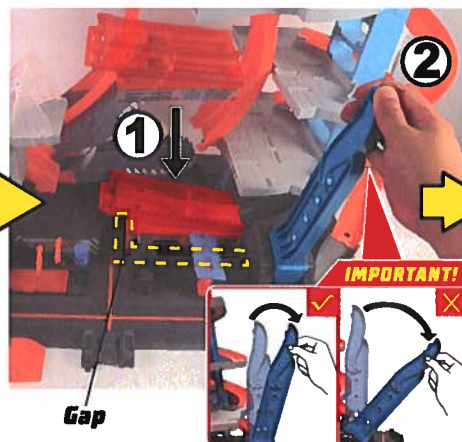
3 Lay the set down on a flat surface and unscrew the old launcher with a Phillips head screwdriver (not included).



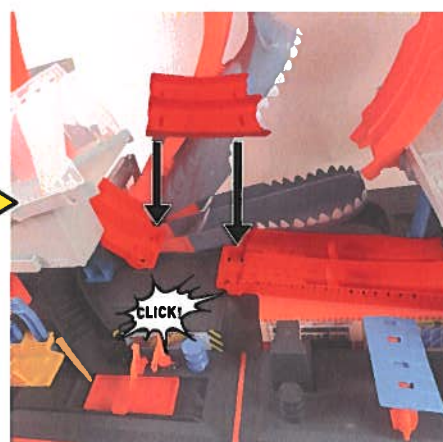
4 Remove and dispose of the old launcher and the plastic piece properly.



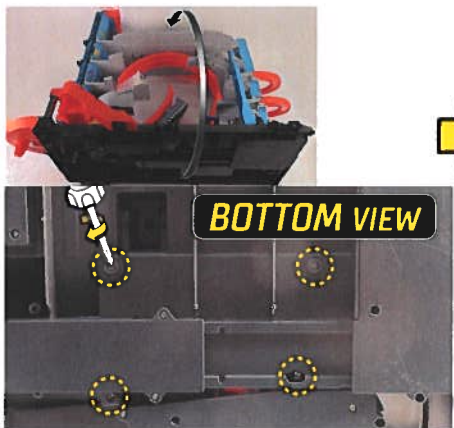
5 Attach the new launcher to the base. Pull the handle **slightly** to close the gap and lock the new launcher in place.



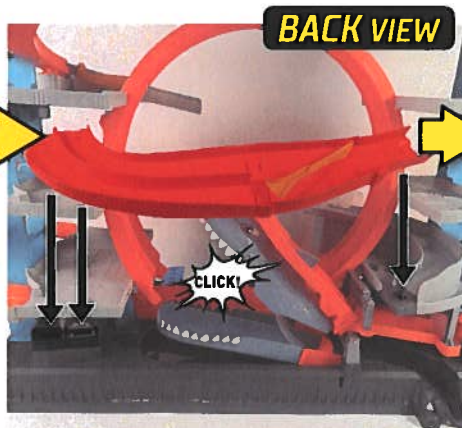
6 Reattach the connecting track piece.



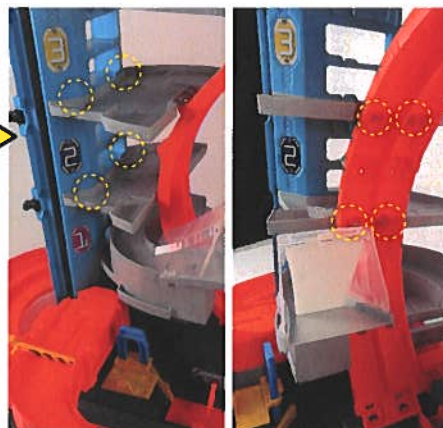
7 Lay the set down on a flat surface and screw the new launcher onto the base with a Phillips head screwdriver (not included).



8 Reattach track pieces (refer to step 1) at the back.



9 Press on all pieces as shown to make sure they are firmly attached.



COLORS AND DECORATIONS MAY VARY.

©2018 Mattel.

FTB69-0972-1101720027-DOM

