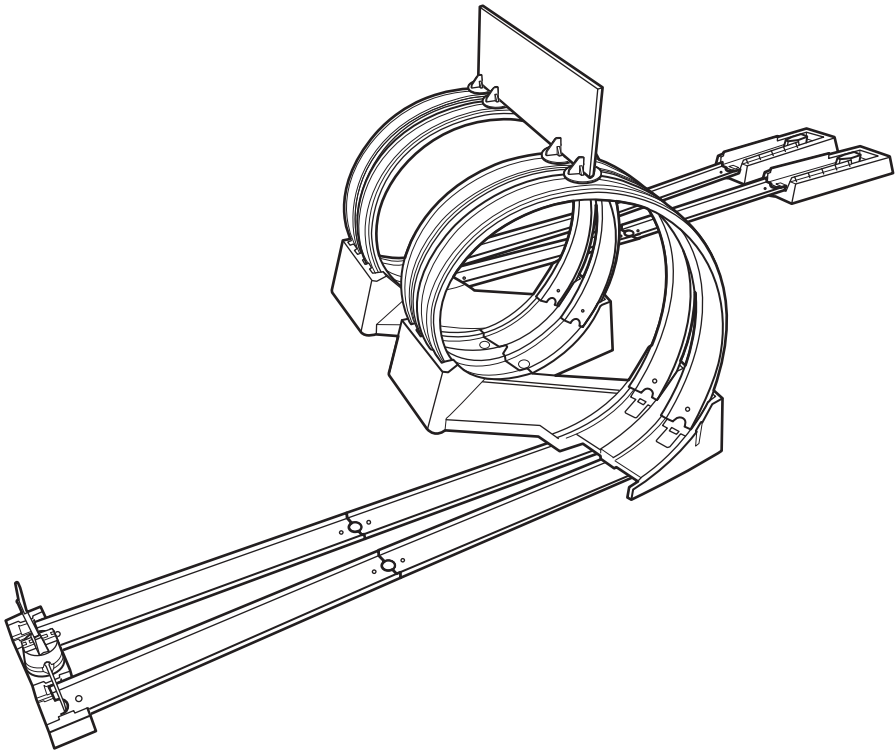




INSTRUCTIONS

THRILL DRIVERS CORKSCREW™



4+

service.mattel.com

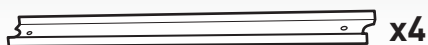
HOTWHEELS.COM



FTC96_0970
1100406177_DOM

PLEASE KEEP THESE INSTRUCTIONS FOR FUTURE REFERENCE AS THEY CONTAIN IMPORTANT INFORMATION.

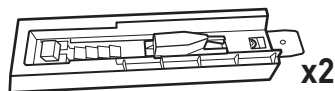
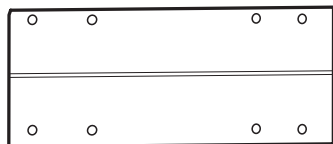
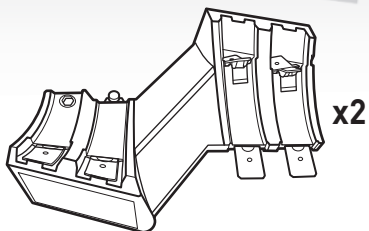
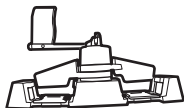
CONTENTS



LONG TRACK

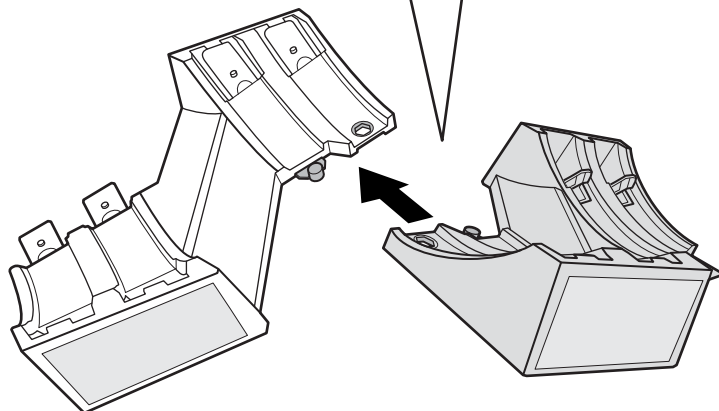
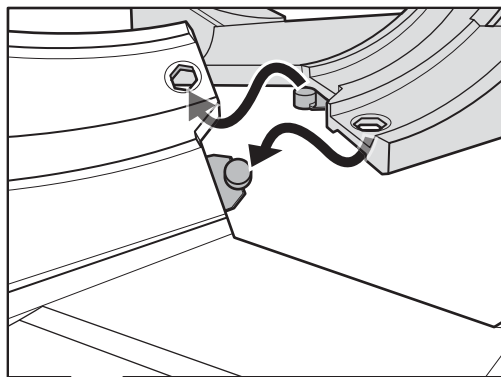


SHORT TRACK



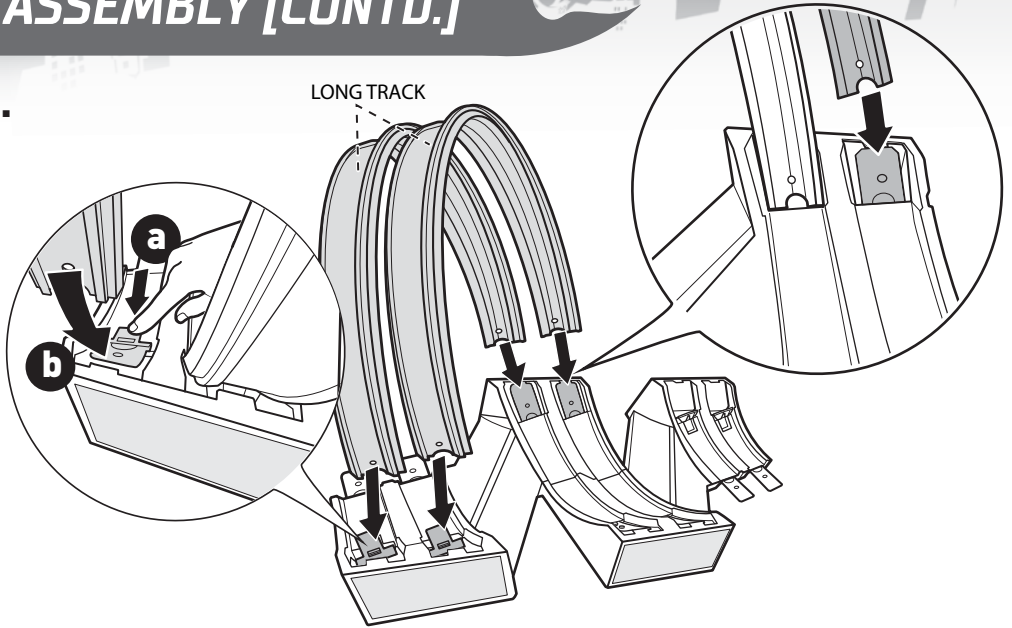
ASSEMBLY

1.

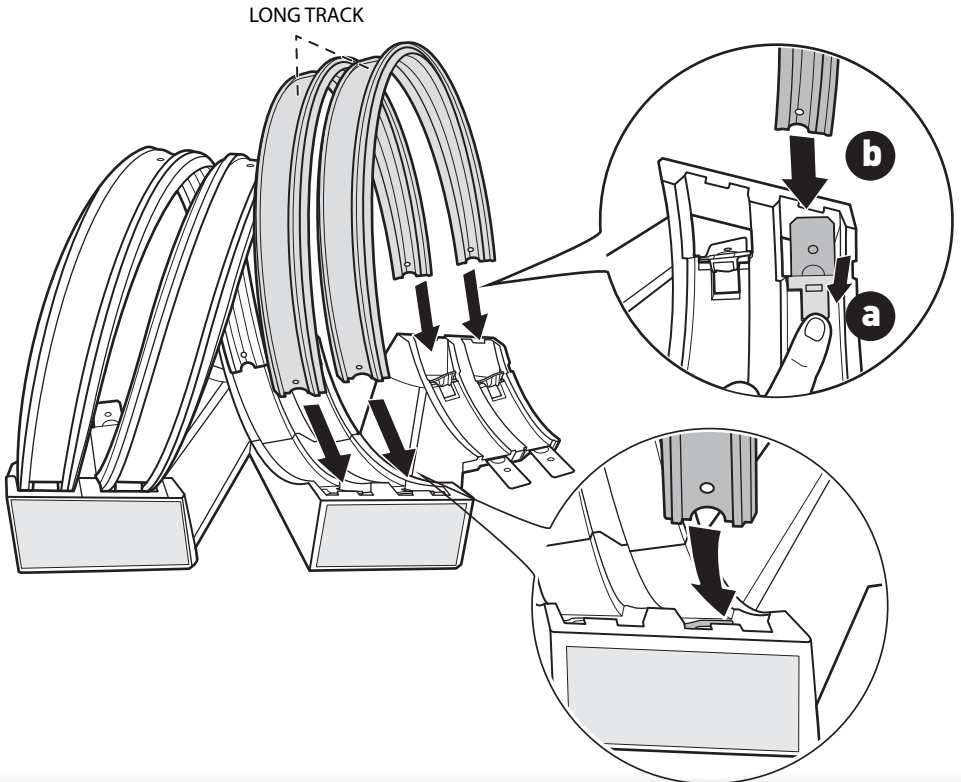


ASSEMBLY [CONTD.]

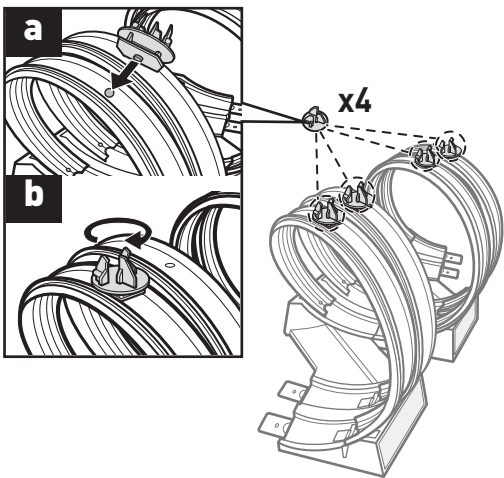
2.



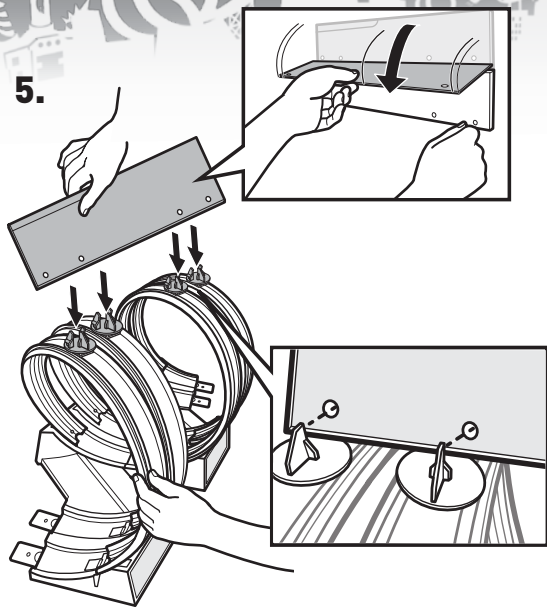
3.



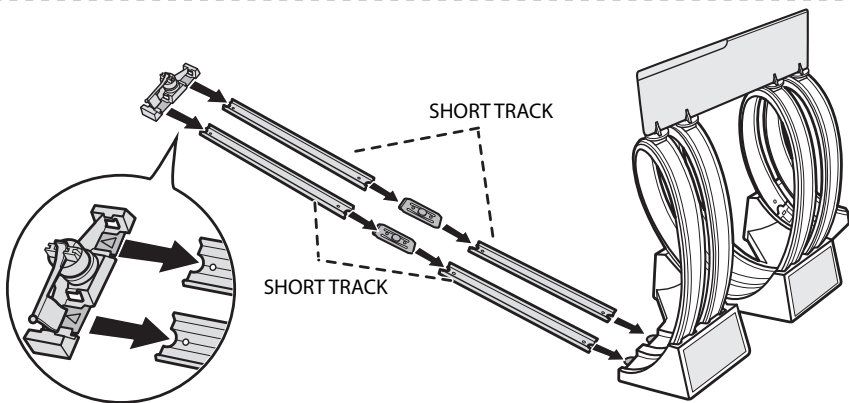
4.



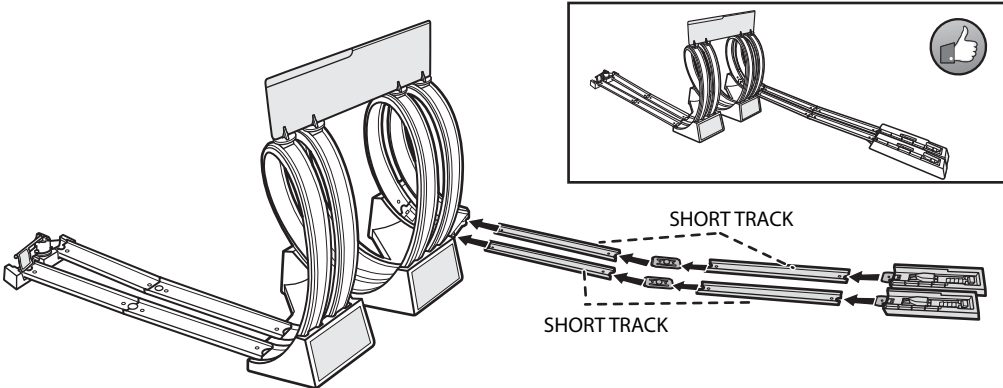
5.



6.

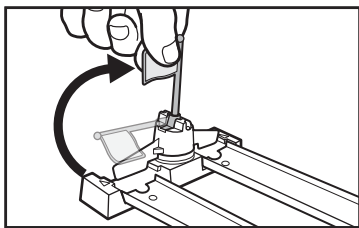


7.

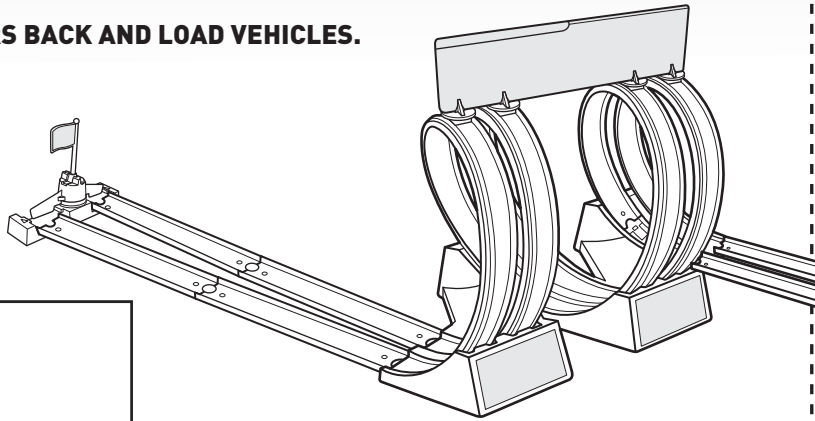


TO PLAY

1. PULL LAUNCHERS BACK AND LOAD VEHICLES.

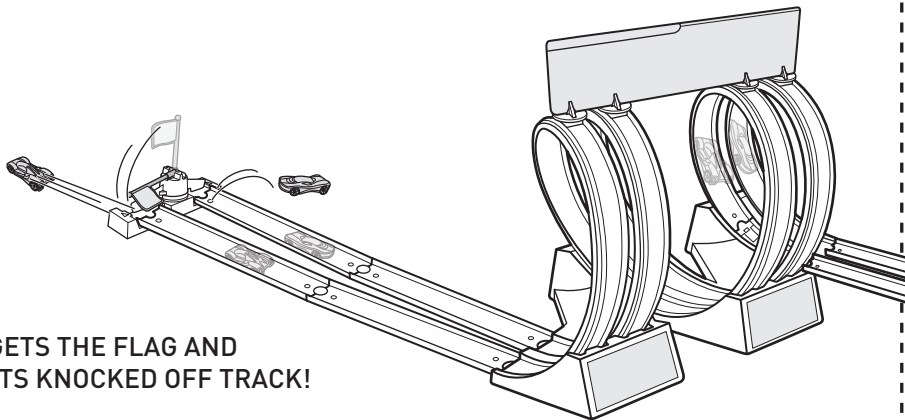


CENTER THE FLAG BEFORE EACH RACE.

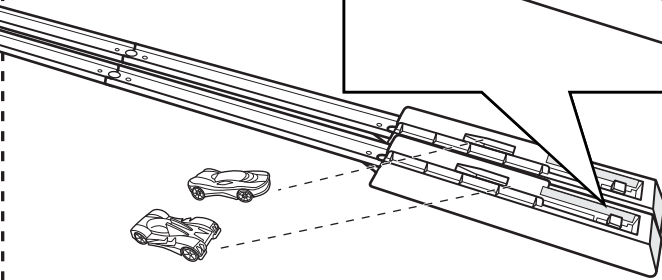
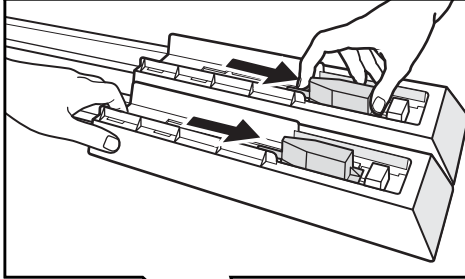


2. LAUNCH AND RACE THROUGH THE LOOPS!

WINNER GETS THE FLAG AND LOSER GETS KNOCKED OFF TRACK!



4-SPEED LAUNCHER:
CHALLENGE THE LOOPS WITH DIFFERENT
SPEED SETTINGS!



NOT FOR USE WITH SOME HOT WHEELS® VEHICLES.

