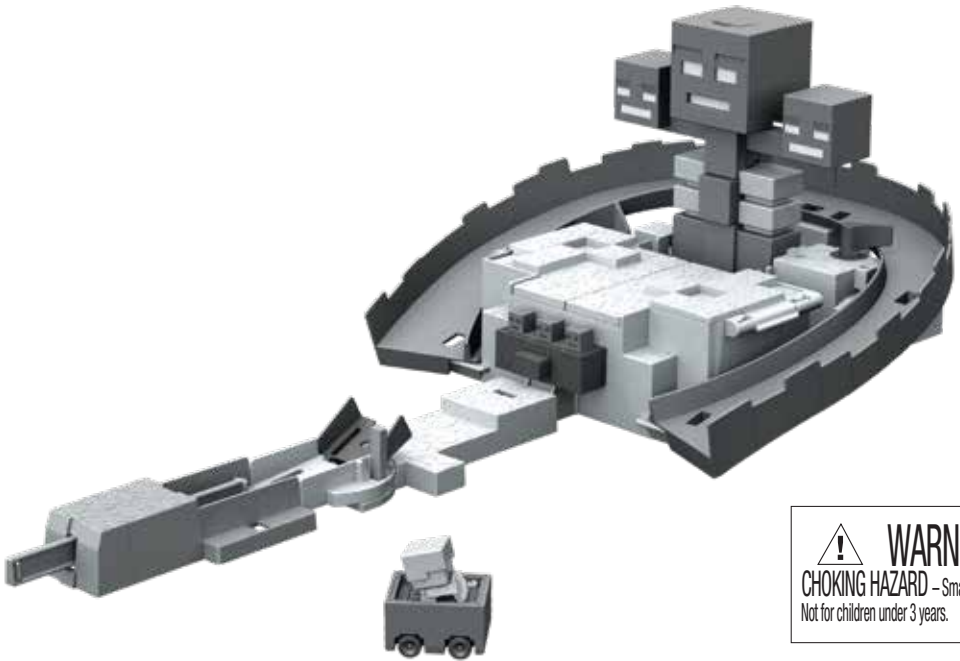




MINECRAFT

WITHER SUMMON



 **WARNING:**
CHOKING HAZARD - Small parts.
Not for children under 3 years.

6-12

service.mattel.com
HOTWHEELS.COM

 **MOJANG**

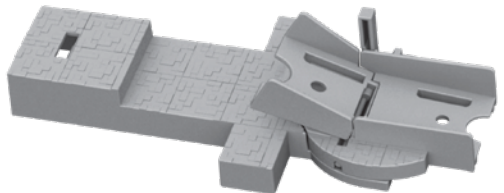
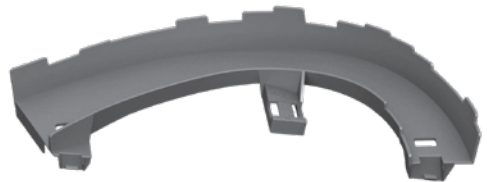
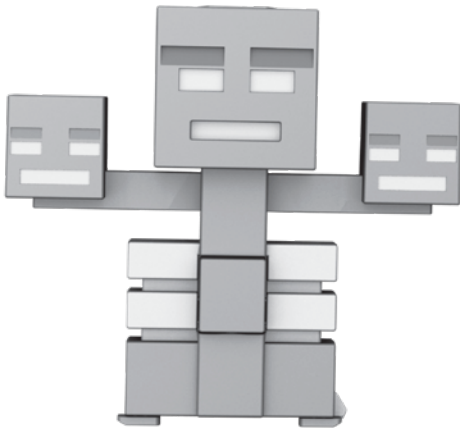
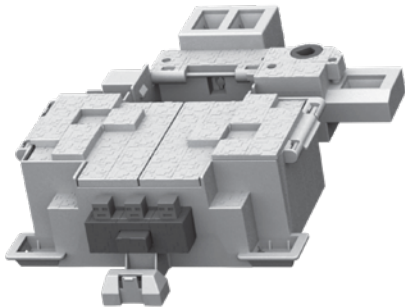
© & ™ Notch Development AB and Mojang AB. All Rights Reserved.



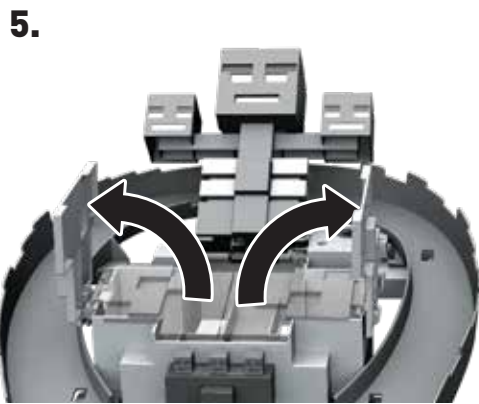
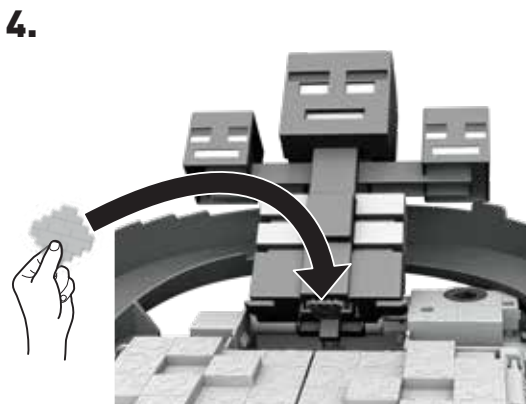
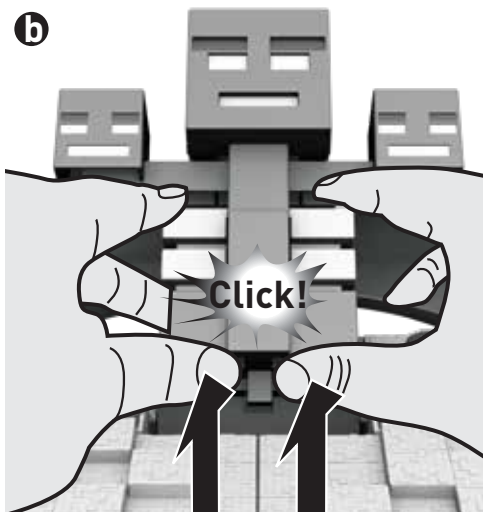
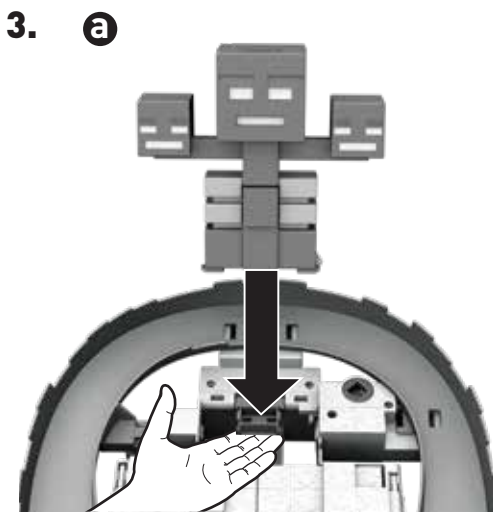
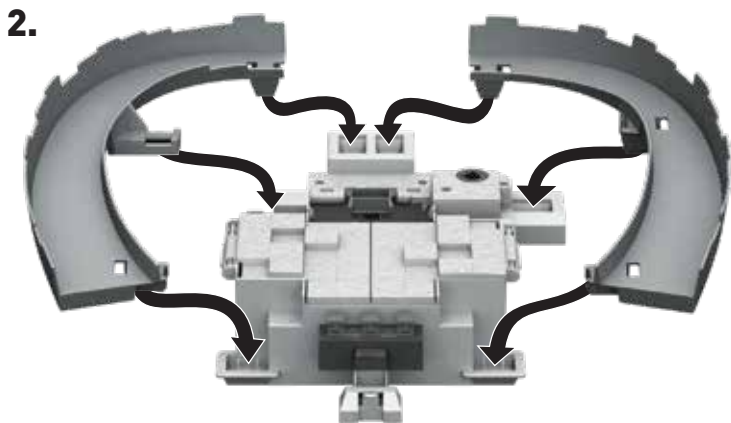
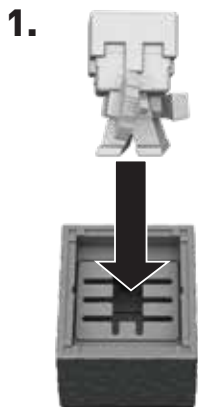
FTF53-0970

PLEASE KEEP THESE INSTRUCTIONS FOR FUTURE
REFERENCE AS THEY CONTAIN IMPORTANT INFORMATION.

CONTENTS



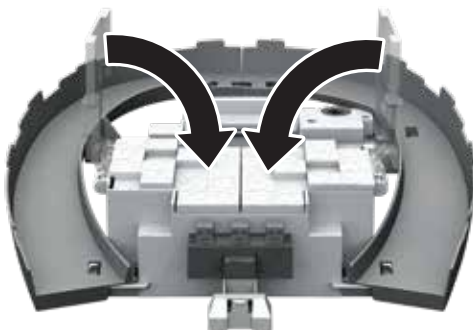
ASSEMBLY



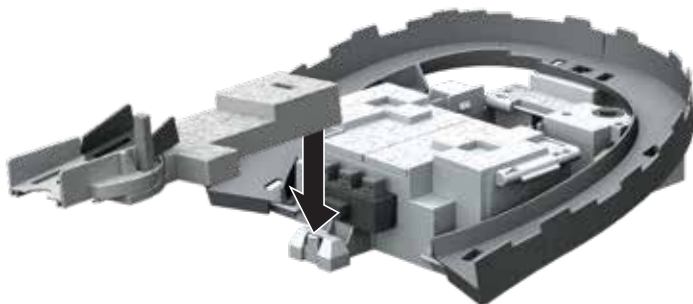
6.



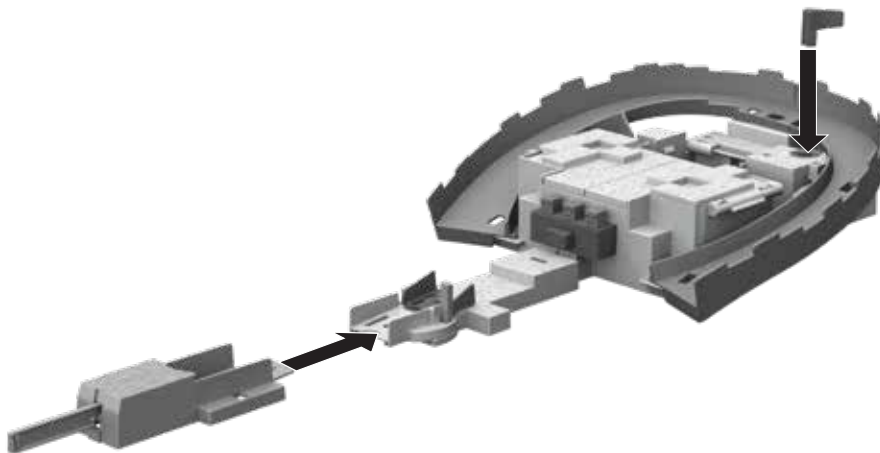
7.



8.



9.

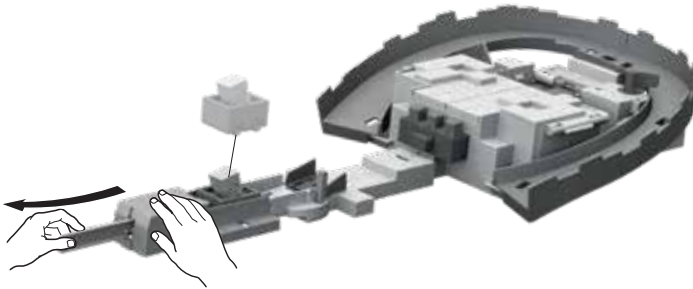


1. PULL BACK LAUNCHER AND LOAD VEHICLE.

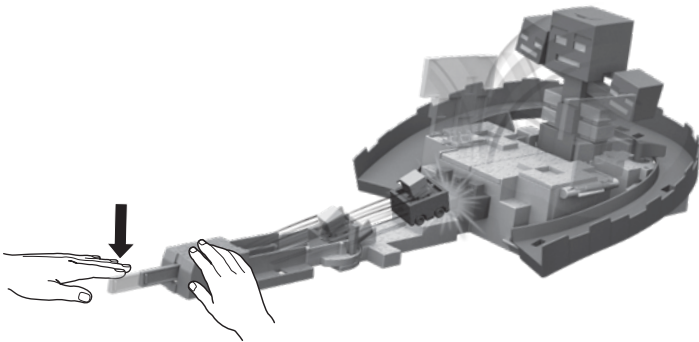
123



3-SPEED LAUNCHER: TRY DIFFERENT LAUNCH SETTINGS TO FIND THE BEST PERFORMANCE.

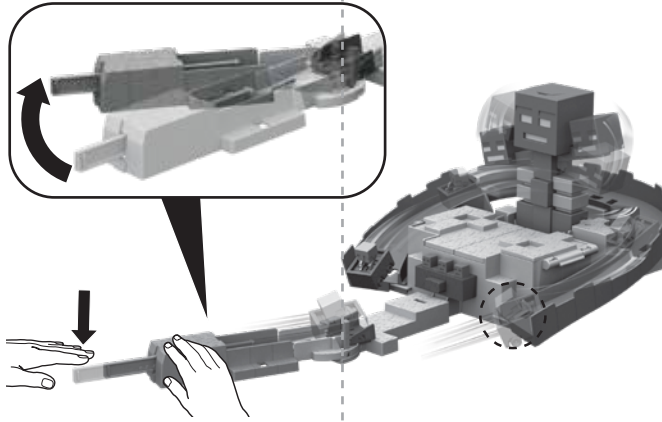


2. LAUNCH AND HIT THE TRIGGER TO SUMMON THE WITHER!

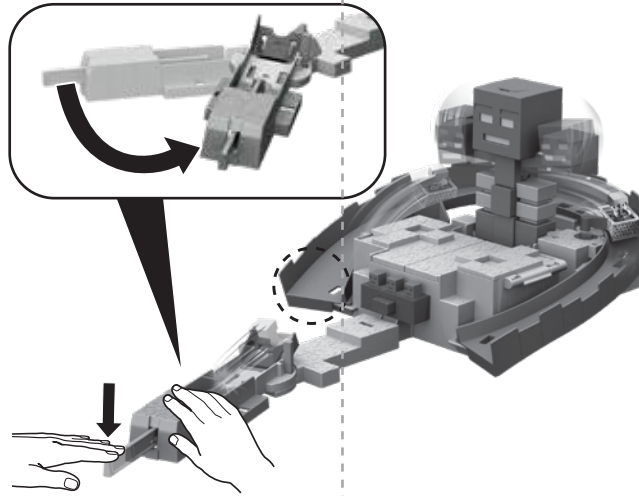


3. RACE AROUND THE TRACK TO BALANCE THE WITHER'S HEADS. YOU WILL KNOW THEY ARE BALANCED BECAUSE THE MOUTH TURNS RED!

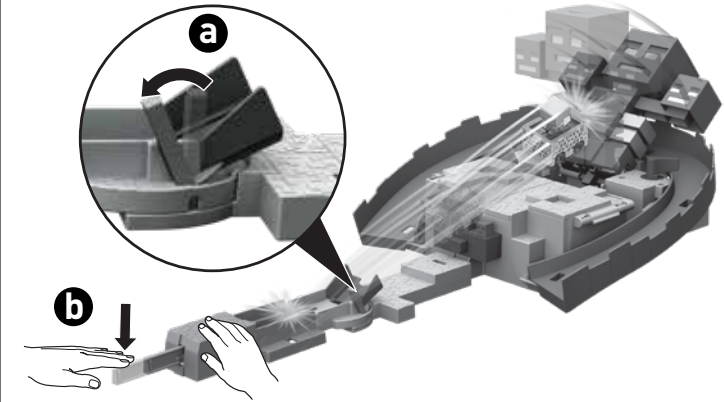
a. LAUNCH FROM THE RIGHT TO TILT THE WITHER'S HEADS ON ONE SIDE.



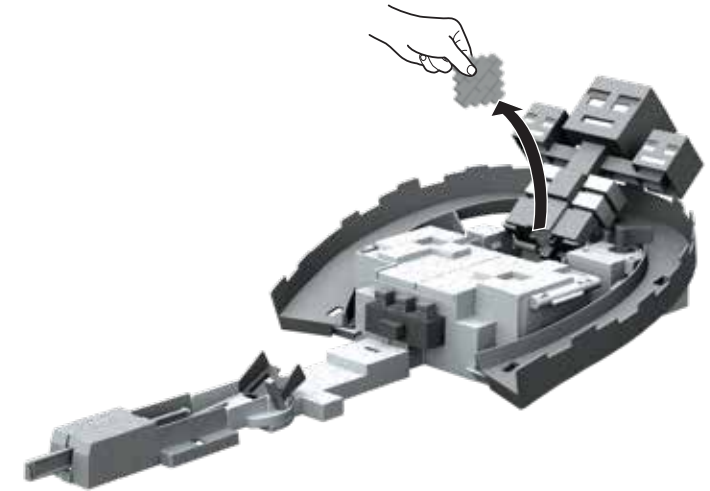
b. LAUNCH FROM THE LEFT TO TILT THE WITHER'S HEADS ON THE OTHER SIDE.



4. PREPARE FOR THE FINAL ATTACK! ADJUST JUMP RAMP. LAUNCH TOWARDS THE WITHER AND TAKE IT DOWN!



5. RETRIEVE THE NETHER STAR!



NOT FOR USE WITH SOME MINECRAFT FIGURES AND HOT WHEELS® VEHICLES.