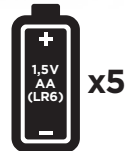




Keep this instruction sheet for future reference, as it contains important information.

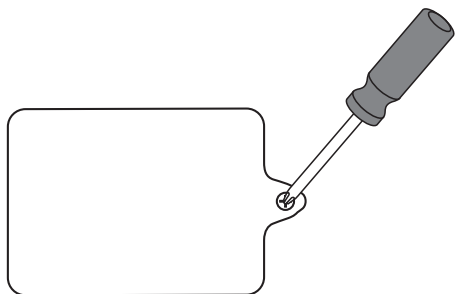


This toy requires adult assembly. You will need a Phillips screwdriver (not included).



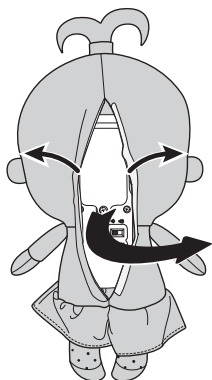
The stroller requires three AA (LR6) **alkaline** batteries and the doll requires two AA (LR6) **alkaline** batteries. Batteries are not included. For longer life, use **alkaline** batteries.

# Battery Installation

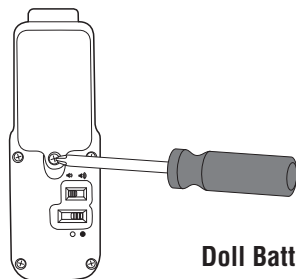


## Stroller Battery Door

- Loosen the screw in the battery compartment door and remove the door.
- Insert three, new AA (LR6) **alkaline** batteries.
- Replace the battery compartment door and tighten the screw.
- If this toy begins to operate erratically, you may need to reset the electronics. Slide the power-mode switch off and back on.
- When sound or light from this toy becomes faint or stops, it's time for an adult to change the batteries.

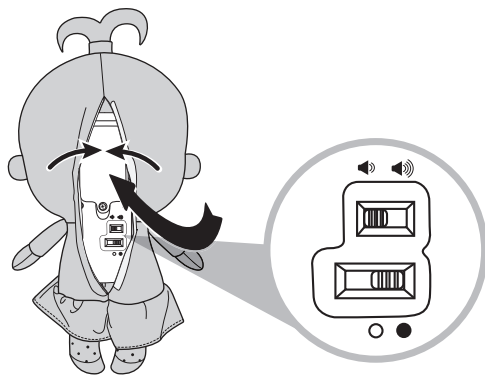




- Open the fasteners on the back of the doll.
- Pull to remove the electronics unit from inside the doll.



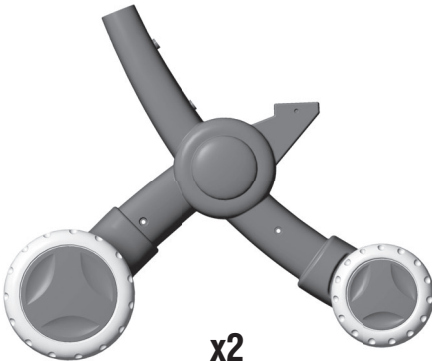
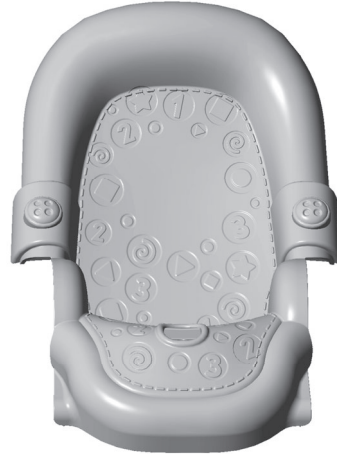
## Doll Battery Door

- Loosen the screw in the electronics unit battery compartment door and remove the door.
- Insert two, new AA (LR6) **alkaline** batteries.
- Replace the battery compartment door and tighten the screw.
- If this toys begins to operate erratically, you may need to reset the electronics. Slide the power switch on the electronics unit off and then back on.
- When sound or light from this toy becomes faint or stops, it's time for an adult to change the batteries.



- Slide the power switch to ON or OFF.
- Slide the volume switch to  low volume or  high volume.
- Replace the electronics unit back inside the doll and close the fasteners.

# Stroller Parts



**x2**  
**(Left and Right)**



## CAUTION

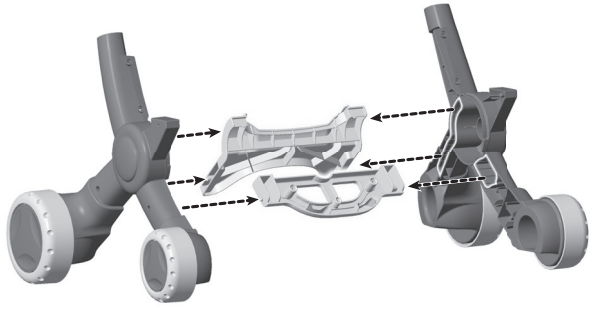
This package contains small parts. For adult assembly only.

 **x 15**

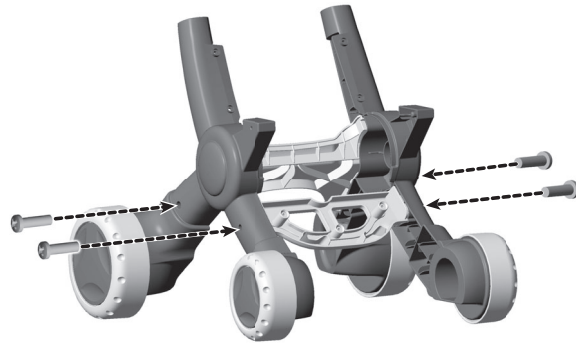
**M3,5 x 1,3 cm**

**Tighten and loosen all screws with a Phillips screwdriver. Do not over-tighten screws.**

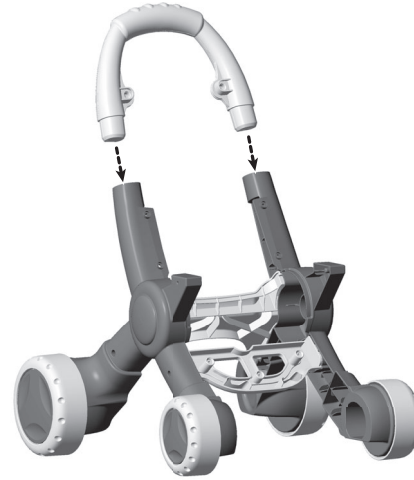
# Assembly



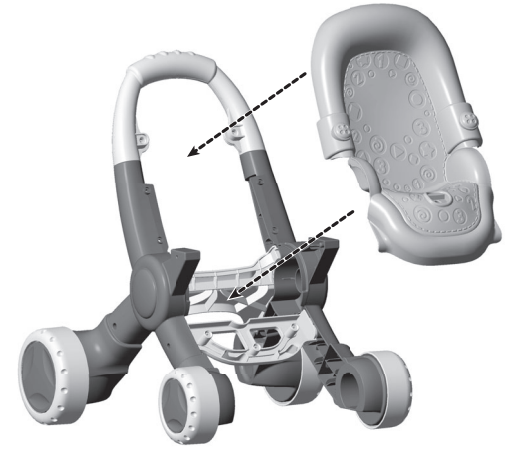
1. \_\_\_\_\_



2.  x 4 \_\_\_\_\_



3. \_\_\_\_\_



4. \_\_\_\_\_



5.  x 6 \_\_\_\_\_

4



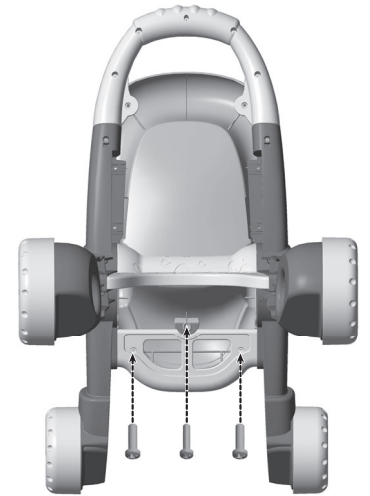
6. \_\_\_\_\_



7.  x 2 \_\_\_\_\_

5

Turn face down.



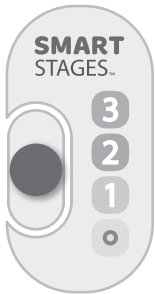
8.  x 3 \_\_\_\_\_

5

# Stroll along with a soft & sweet friend!



Listen to encouraging phrases and songs that keeps baby strolling along!



- 1 Explore**  
Let's have some fun with colors, shapes and numbers.
- 2 Encourage**  
Let's learn something new! Baby enjoys ABCs along with shapes and colors in two languages.
- 3 Pretend**  
Songs and phrases prompt pretend play.
- OFF**

# Your hugs are the best!



Press the doll's heart or tummy for songs, phrases, sound effects and a glowing light.

# Consumer Information

## Battery Safety Information

In exceptional circumstances, batteries may leak fluids that can cause a chemical burn injury or ruin your product. To avoid battery leakage:

- Do not mix old and new batteries or batteries of different types: alkaline, standard (carbon-zinc) or rechargeable.
- Insert batteries as indicated inside the battery compartment.
- Remove batteries during long periods of non-use. Always remove exhausted batteries from the product. Dispose of batteries safely. Do not dispose of this product in a fire. The batteries inside may explode or leak.
- Never short-circuit the battery terminals.
- Use only batteries of the same or equivalent type, as recommended.
- Do not charge non-rechargeable batteries.
- Remove rechargeable batteries from the product before charging.
- If removable, rechargeable batteries are used, they are only to be charged under adult supervision.

## Care

- The doll is machine washable without the electronics unit.
- Open the fasteners on the back of the doll and remove the electronics unit.
- Machine wash in cold water on the gentle cycle. Do not use bleach. Tumble dry on low heat.
- Replace the electronics unit back inside the doll and close the fasteners.
- Wipe the stroller with a damp cloth. Do not immerse.
- Do not immerse the electronics unit or the stroller.



Protect the environment by not disposing of this product or any batteries with household waste. This symbol indicates that this product shall not be treated as household waste.

Check your local authority for recycling advice and facilities.

## FCC STATEMENT (UNITED STATES ONLY)

This equipment has been tested and found to comply with the limits for a Class B digital device, pursuant to Part 15 of the FCC rules. These limits are designed to provide reasonable protection against harmful interference in a residential installation. This equipment generates uses and can radiate radio frequency energy and, if not installed and used in accordance with the instructions, may cause harmful interference to radio communications. However, there is no guarantee that interference will not occur in a particular installation. If this equipment does cause harmful interference to radio or television reception, which can be determined by turning the equipment off and on, the user is encouraged to try to correct the interference by one or more of the following measures:

- Reorient or relocate the receiving antenna.
- Increase the separation between the equipment and receiver.
- Consult the dealer or an experienced radio/TV technician for help.

**NOTE:** Changes or modifications not expressly approved by the manufacturer responsible for compliance could void the user's authority to operate the equipment.

This device complies with Part 15 of the FCC Rules. Operation is subject to the following two conditions: (1) This device may not cause harmful interference, and (2) this device must accept any interference received, including interference that may cause undesired operation.

## CAN ICES-3 (B)/NMB-3 (B)

Operation is subject to the following two conditions: (1) this device may not cause interference, and (2) this device must accept any interference, including interference that may cause undesired operation of the device.

L'utilisation de ce dispositif est autorisée seulement aux conditions suivantes : (1) il ne doit pas produire de brouillage et (2) il doit pouvoir tolérer tout brouillage radioélectrique reçu, même si ce brouillage est susceptible de compromettre son fonctionnement.



**UNITED STATES:** 1-800-432-5437.  
Fisher-Price, Inc., 636 Girard Avenue,  
East Aurora, NY 14052.

**GREAT BRITAIN:** Mattel UK Ltd, Vanwall  
Business Park, Maidenhead SL6 4UB.  
Helpline: 01628 500303;  
[www.service.mattel.com/uk](http://www.service.mattel.com/uk).  
Mattel Europa B.V., Gondel 1,  
1186 MJ Amstelveen, Nederland.

**CANADA:** 1-800-432-5437. Mattel Canada Inc.,  
6155 Freemont Blvd., Mississauga,  
Ontario L5R 3W2.

**AUSTRALIA:** Mattel Australia Pty. Ltd., 658  
Church Street, Locked Bag #870, Richmond,  
Victoria 3121 Australia. Consumer Advisory  
Service 1300 135 312.

**NEW ZEALAND:** 16-18 William Pickering  
Drive, Albany 1331, Auckland.

**SOUTH AFRICA:** Mattel South Africa (PTY)  
LTD, Office 102 I3, 30 Melrose Boulevard,  
Johannesburg 2196.