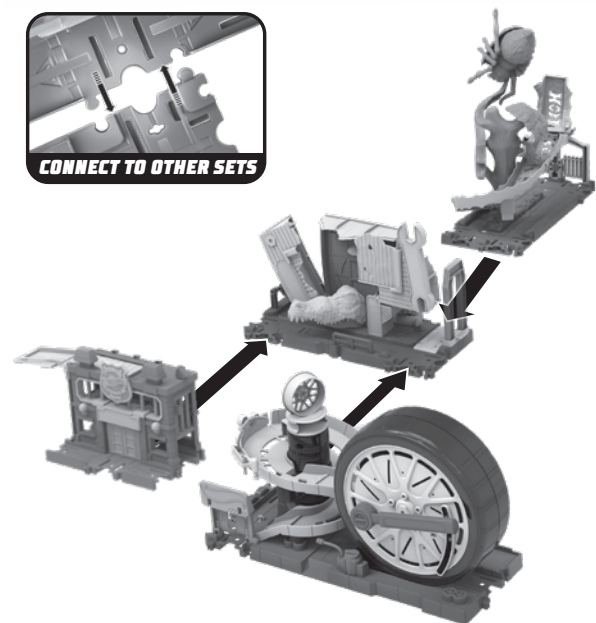


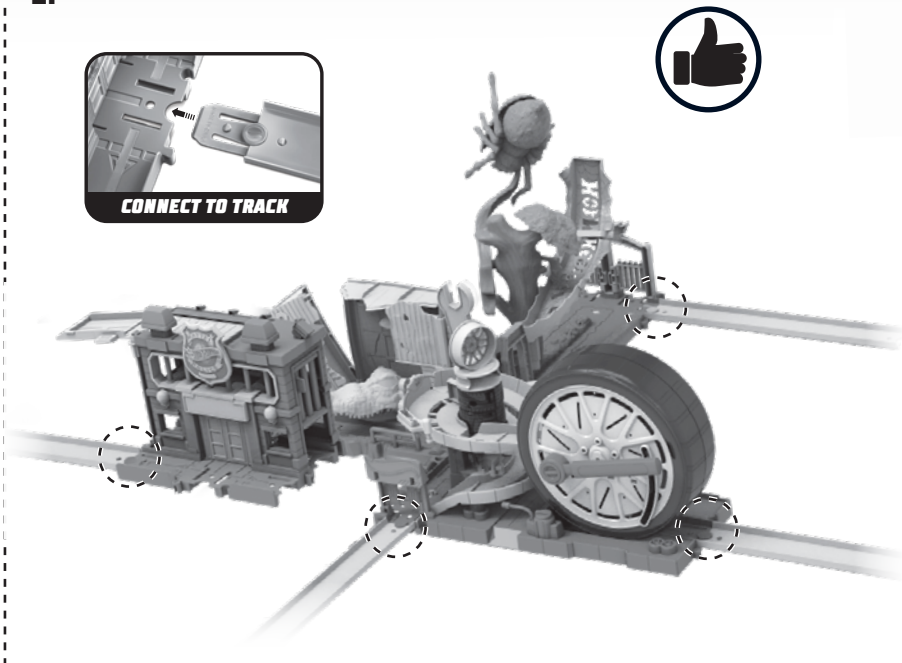
MORE WAYS TO PLAY

EXPAND YOUR IMAGINATION BY CONNECTING YOUR HOT WHEELS® SETS TOGETHER FOR ENDLESS FUN!

1.



2.



INCLUDES 4 HOT WHEELS® TRACK SETS. ADDITIONAL TRACKS AND SETS SOLD SEPARATELY.

©2018 Mattel. Mattel, Inc., 636 Girard Avenue, East Aurora, NY 14052, U.S.A. Consumer Services 1-800-524-8697. Mattel U.K. Ltd., Vanwall Business Park, Maidenhead SL6 4UB. Helpline 01628 500303. Mattel Australia Pty., Ltd., Richmond, Victoria. 3121. Consumer Advisory Service - 1300 135 312. Mattel South Africa (PTY) LTD, Office 102 I3, 30 Melrose Boulevard, Johannesburg 2196. Mattel East Asia Ltd., Room 503-09, North Tower, World Finance Centre, Harbour City, Tsimshatsui, HK, China. Tel.: (852) 3185-6500. Diimport & Diedarkan Oleh: Mattel Southeast Asia Pte. Ltd., No 19-1, Tower 3 Avenue 7, Bangsar South City, No 8, Jalan Kerinchi, 59200 Kuala Lumpur, Malaysia. Tel: 03-33419052.



CREATURE ATTACK BUNDLE



FXL26-0970
1101517228-DOM
service.mattel.com
HOTWHEELS.COM

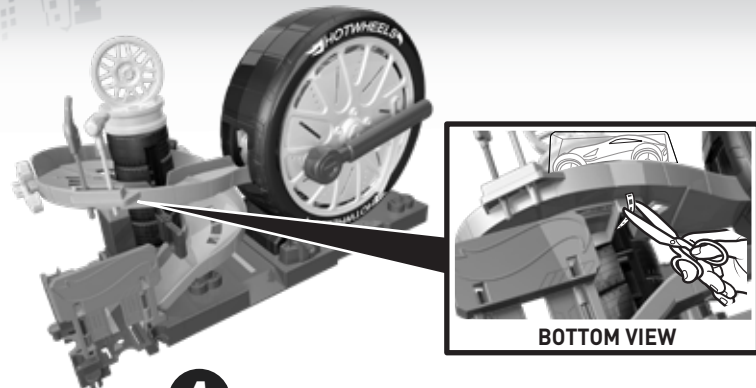
PLEASE KEEP THESE INSTRUCTIONS FOR FUTURE REFERENCE AS THEY CONTAIN IMPORTANT INFORMATION.

INSTRUCTIONS

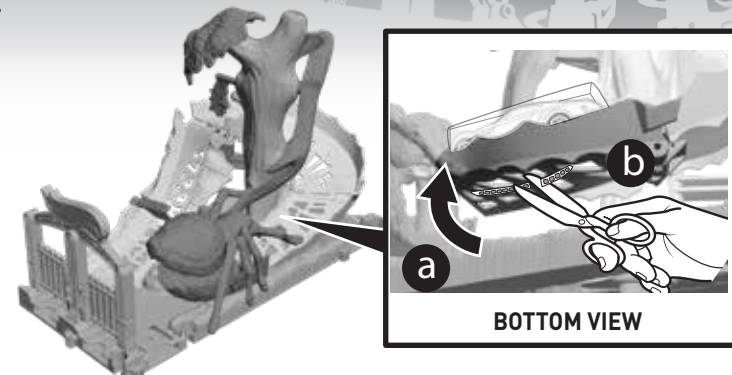
AGES
4-8

CONTENTS

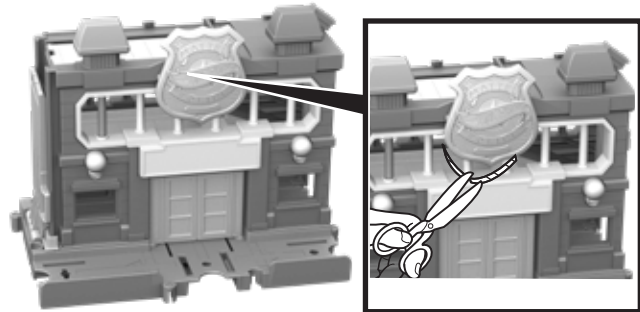
HAVE AN ADULT REMOVE ALL CALBE TIES WITH SAFETY SCISSORS (NOT INCLUDED).



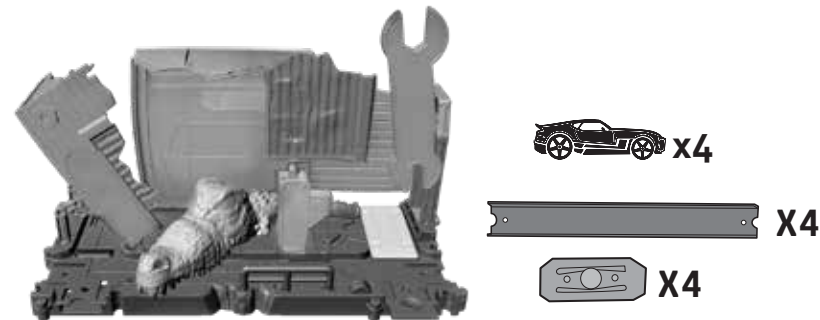
A SUPER SPIN TIRE SHOP™



B SPIDER PARK ATTACK™



C DOWNTOWN POLICE STATION BREAKOUT™

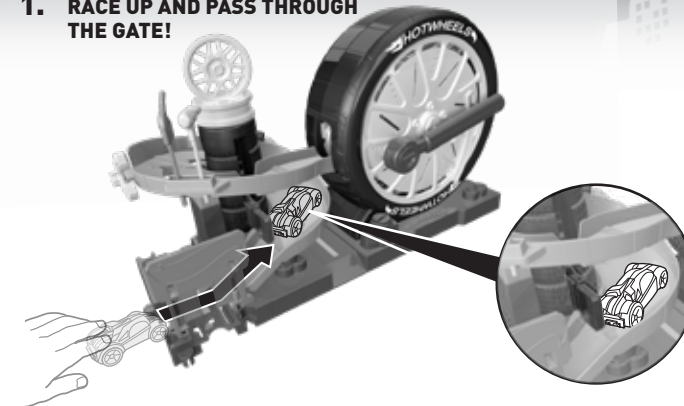


D GATOR GARAGE ATTACK™

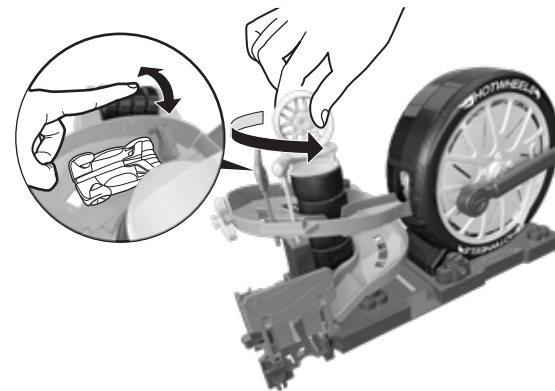
A SUPER SPIN TIRE SHOP™

TO PLAY

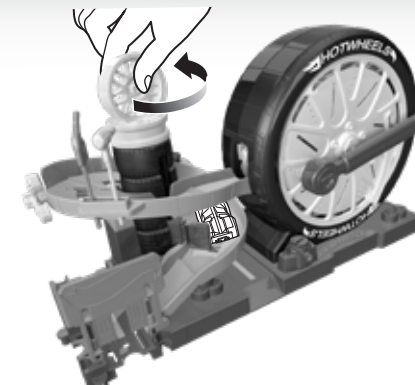
1. RACE UP AND PASS THROUGH THE GATE!



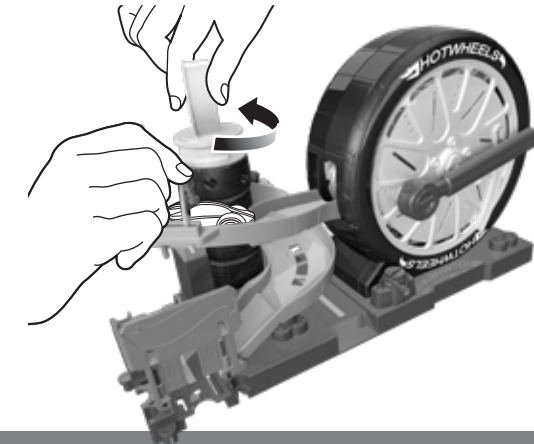
3. WORK ON YOUR CAR ALONG THE RAMP!



2. SPIN WHEEL TO CLIMB UP THE TOWER OF TIRES.



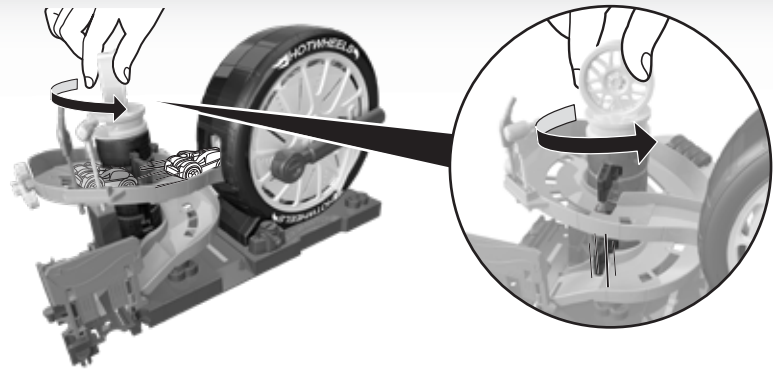
4. MOVE ROBOTIC ARMS TO TUNE-UP YOUR CAR!



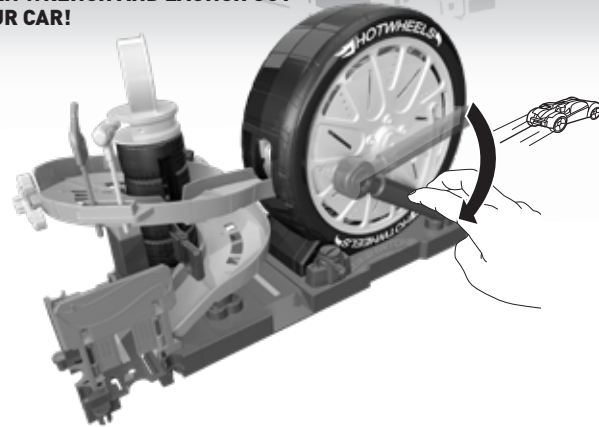
A SUPER SPIN TIRE SHOP™

TO PLAY (CONTD.)

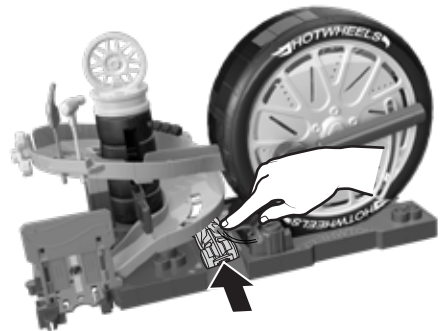
5. TURN WHEEL TO ENTER THE GIANT SUPER TIRE!



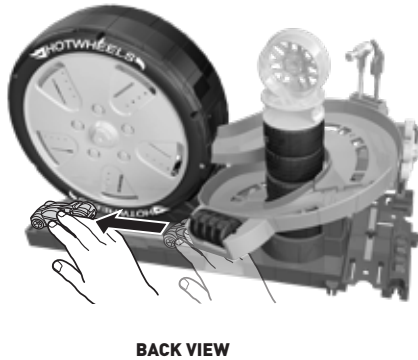
6. TURN WRENCH AND LAUNCH OUT YOUR CAR!



7. ROLL IN FOR A TANK OF GAS...

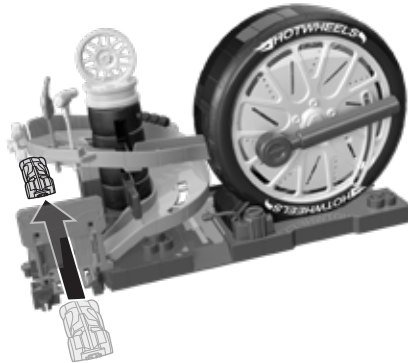


8. ...OR PARK YOUR CAR BEHIND THE SHOP.



BACK VIEW

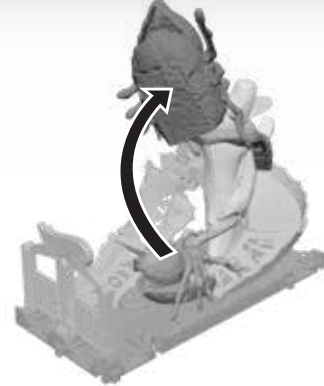
9. RACE THROUGH THE DRIVEWAY!



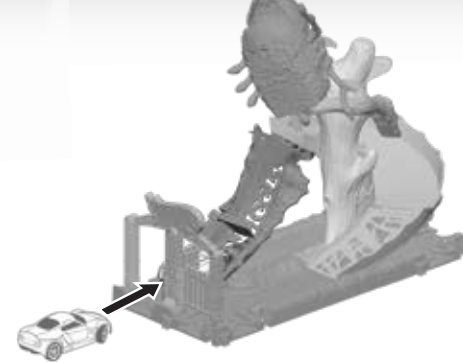
B SPIDER PARK ATTACK™

TO PLAY

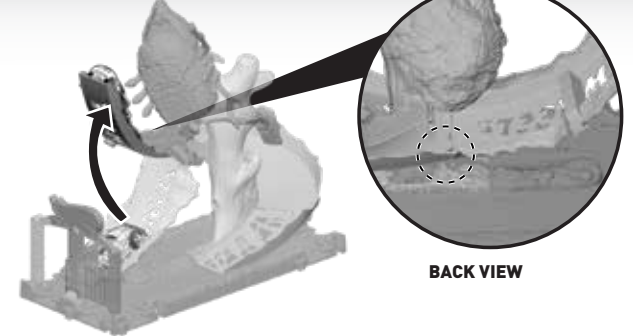
1. LIFT AND LOCK THE SPIDER.



2. LOAD CAR ONTO THE RAMP.

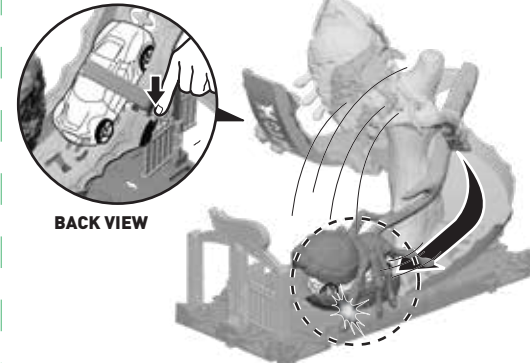


3. LIFT AND LOCK THE RAMP.



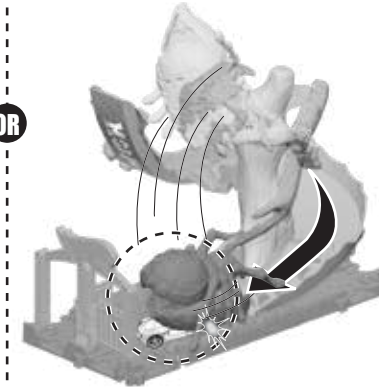
BACK VIEW

4a. RAISE THE GATE & LAUNCH! WILL YOU GET EATEN BY THE SPIDER OR TRAPPED BY HIS LEGS?

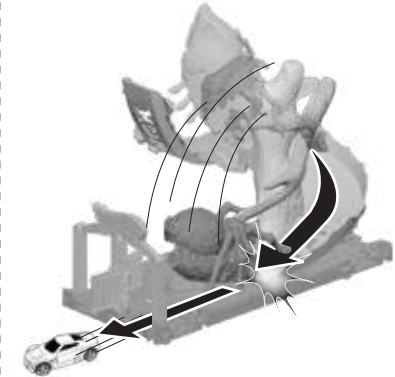


BACK VIEW

OR

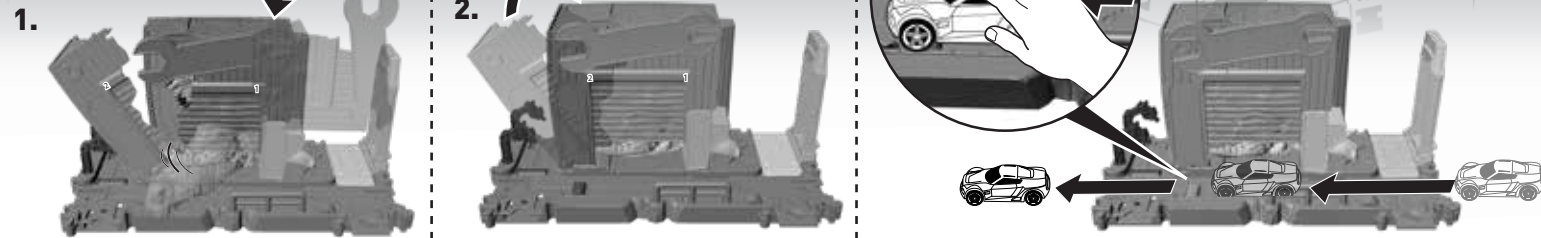


4b. OR WILL YOU BE FAST ENOUGH TO GET AWAY?

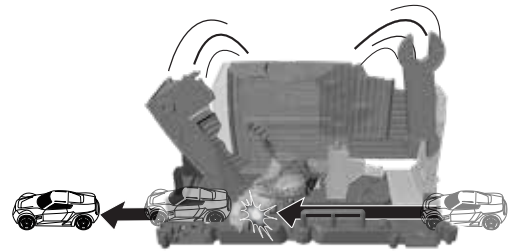


C GATOR GARAGE ATTACK™

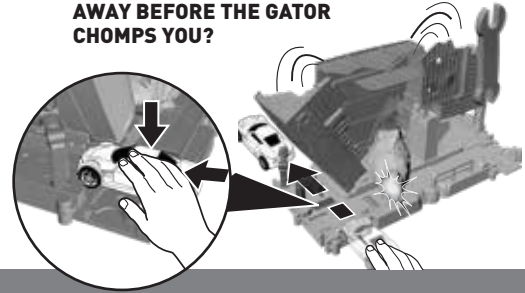
TO PLAY



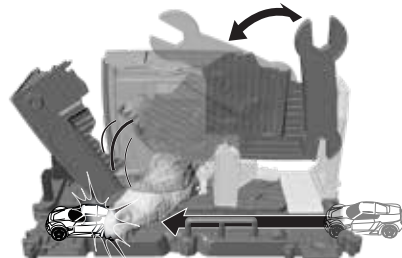
3b. THE GATOR MIGHT JUMP OUT AND ATTACK!



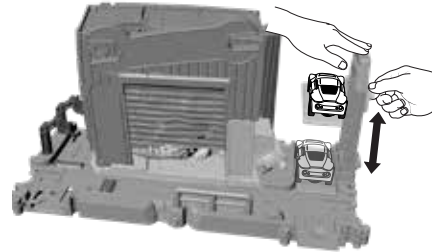
4b. CAN YOU COMPLETE YOUR REPAIR AND DRIVE AWAY BEFORE THE GATOR CHOMPS YOU?



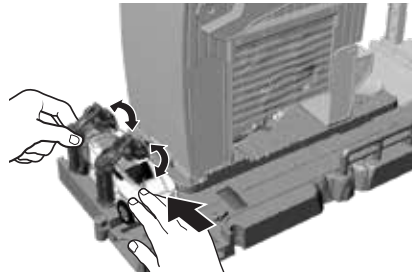
3c. THE GATOR CATCHES YOU! MOVE THE WRENCH FOR CHOMPING ACTION!



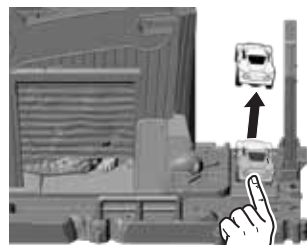
5. USE THE CAR LIFT TO CHECK OUT YOUR REPAIR!



4a. MOVE ROBOTIC ARMS TO "FIX" YOUR CAR!

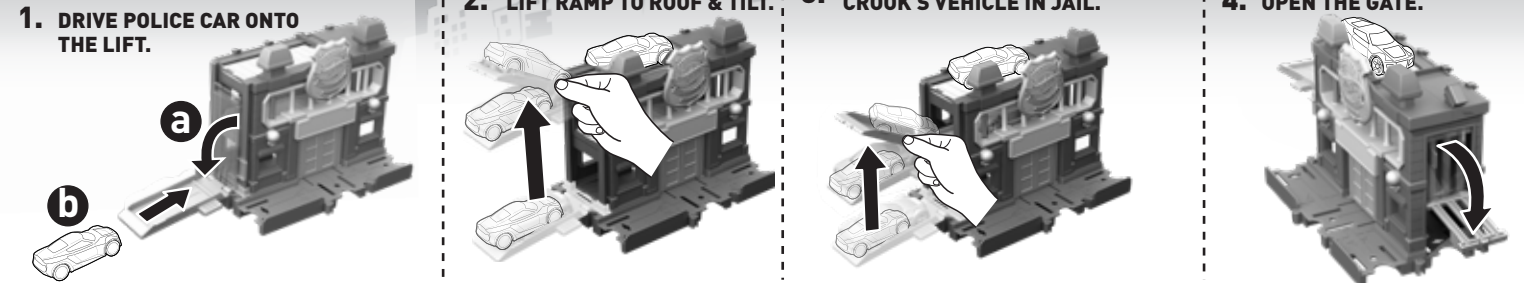


6. RACE OUT OF THE GARAGE TO ESCAPE!

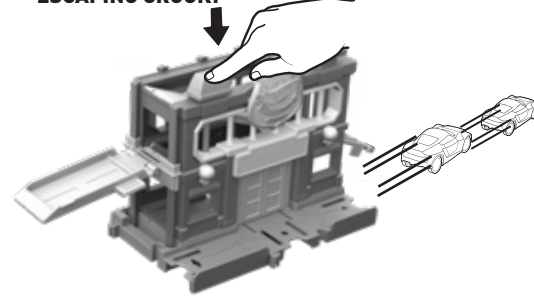


D DOWNTOWN POLICE STATION BREAKOUT™

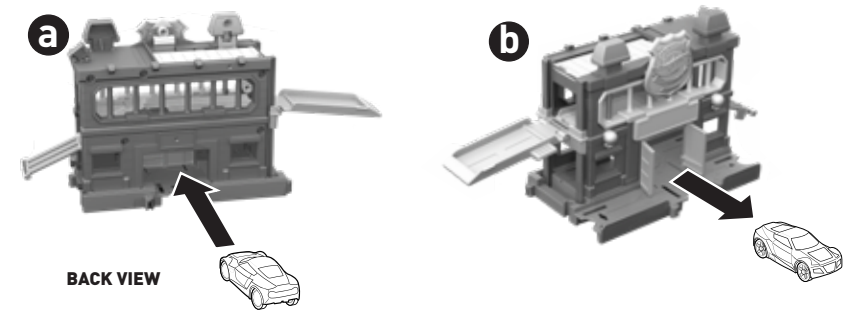
TO PLAY



5. PRESS TO START. THE POLICE CAR CHASES THE ESCAPING CROOK!



6. RETURN AND DRIVE THROUGH THE STATION TO REPORT FOR DUTY.



7. DETACH AND WEAR THE POLICE BADGE!

