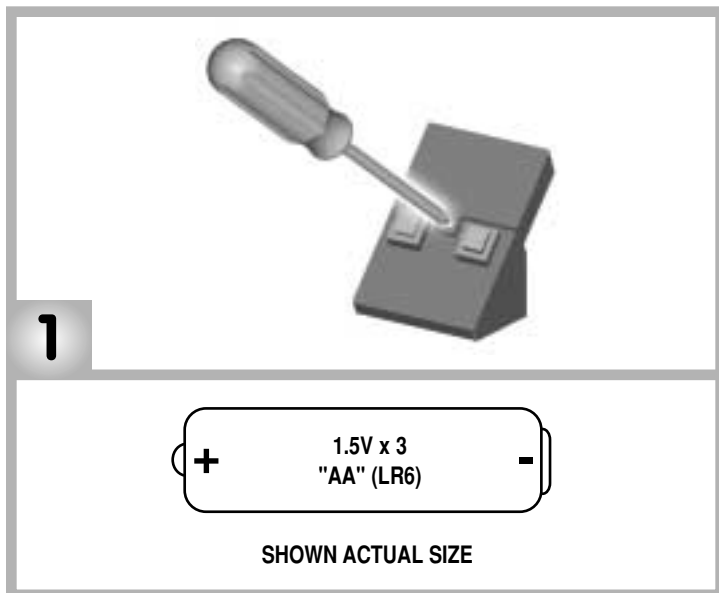


We've Made a Change!

The sound box requires the use of three "AA" (LR6) alkaline batteries. Please follow these instructions to install batteries in the sound box.



- Loosen the screws in the sound box battery compartment door. Remove the battery compartment door.
- Insert three, new, **alkaline** "AA" (LR6) batteries into the battery compartment.

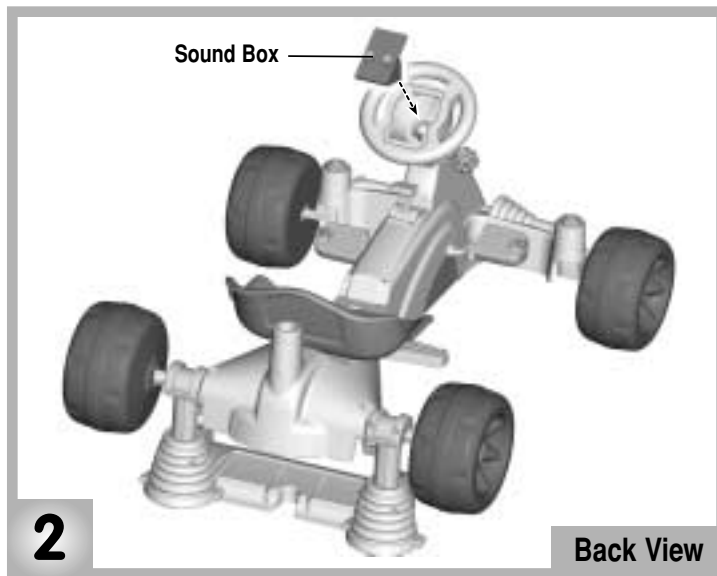
*Hint: We recommend the use of **alkaline** batteries for longer battery life.*

- Replace the battery compartment door and tighten the screws.

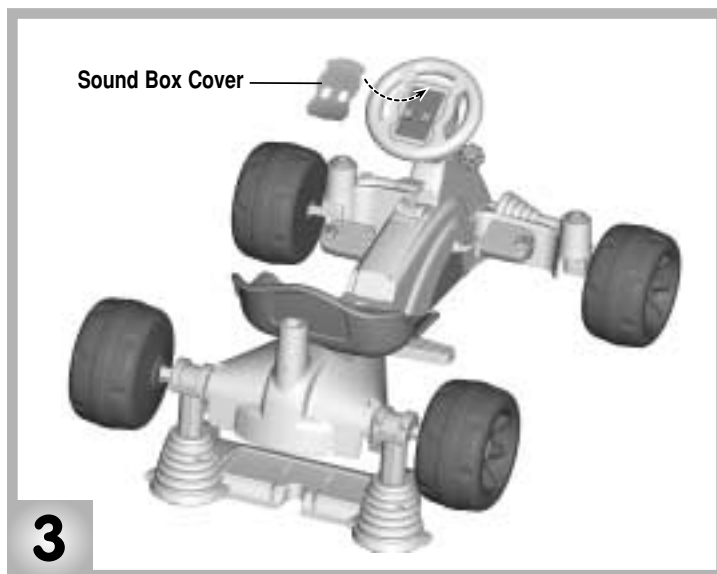
Battery Safety Information

Batteries may leak fluids that can cause a chemical burn injury or ruin your toy. To avoid battery leakage:

- Do not mix old and new batteries or batteries of different types: alkaline, standard (carbon-zinc) or rechargeable (nickel-cadmium).
- Insert batteries as indicated inside the battery compartment.
- Remove batteries during long periods of non-use. Always remove exhausted batteries from the toy. Dispose of batteries safely. Do not dispose of batteries in a fire. The batteries may explode or leak.
- Never short-circuit the battery terminals.
- Use only batteries of the same or equivalent type, as recommended.
- Do not charge non-rechargeable batteries.
- Remove rechargeable batteries from the toy before charging.
- If removable, rechargeable batteries are used, they are only to be charged under adult supervision.



- Fit the sound box inside the center of the steering wheel.



- Fit the top edge of the sound box cover into the groove in the steering wheel.
- "Snap" the sound box cover into the center of the steering wheel.

Fisher-Price

©2004 Mattel, Inc. All Rights Reserved. ® and ™ designate U.S. trademarks of Mattel, Inc. Fisher-Price, Inc., a subsidiary of Mattel, Inc. East Aurora, New York 14052, U.S.A.