

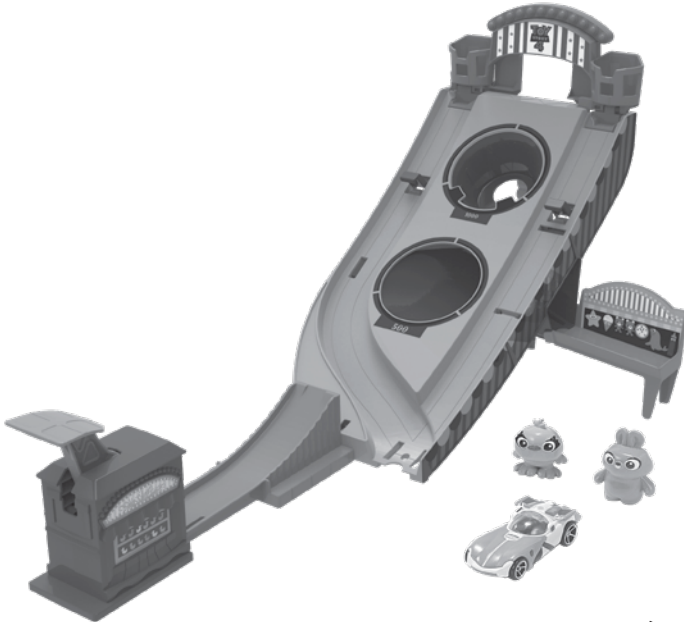


# INSTRUCTIONS

**CHARACTER  
CARS™**

Disney · PIXAR  
**TOY  
STORY  
4**

## **BUZZ LIGHTYEAR CARNIVAL RESCUE**



**4-8**

service.mattel.com  
**HOTWHEELS.COM**

 **WARNING:**  
CHOKING HAZARD – Small parts.  
Not for children under 3 years.

©Disney/Pixar  
[www.Disney.com](http://www.Disney.com)

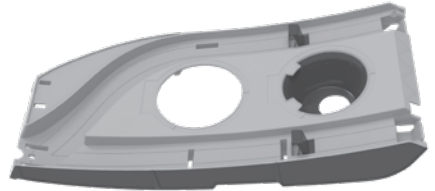
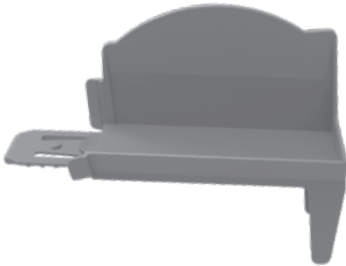
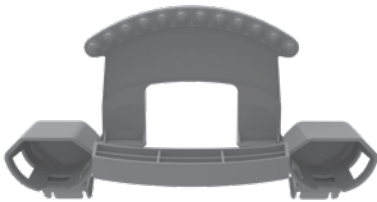
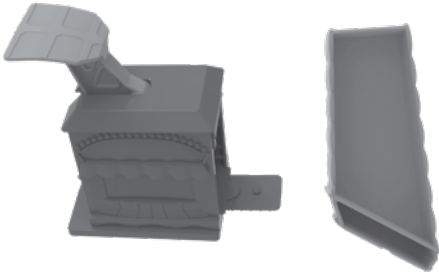
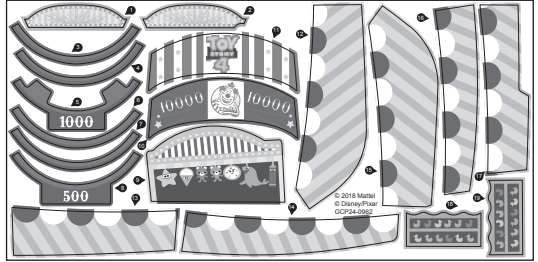


GCP24-0970

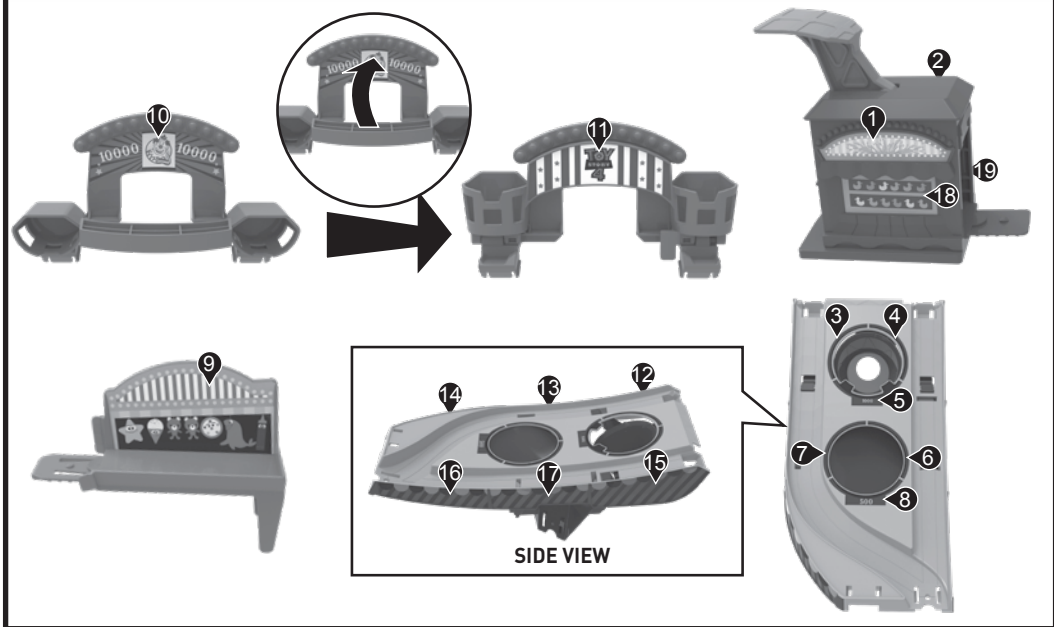
PLEASE KEEP THESE INSTRUCTIONS FOR FUTURE REFERENCE AS THEY CONTAIN IMPORTANT INFORMATION.

# CONTENTS

## LABEL SHEET



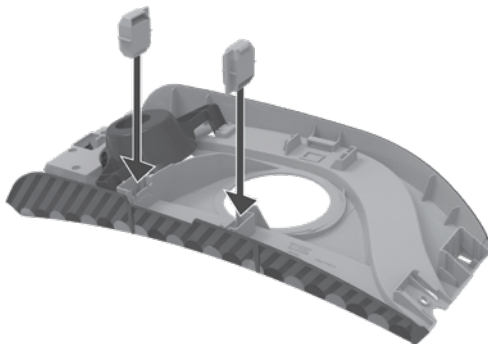
# APPLY LABELS



# ASSEMBLY

START FROM THE BOTTOM OF THE BASE.

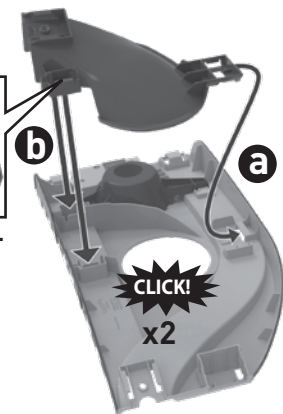
1.



2.

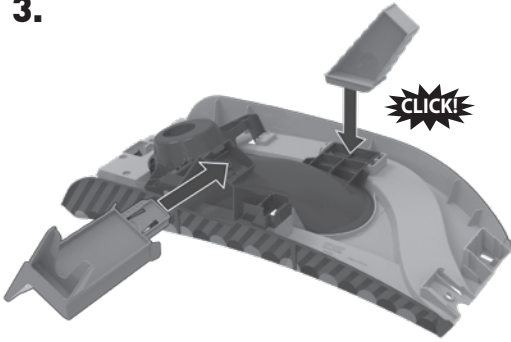


FLIP IT OVER TO ATTACH.

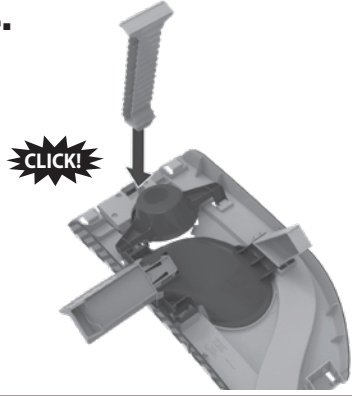


# ASSEMBLY (CONTD.)

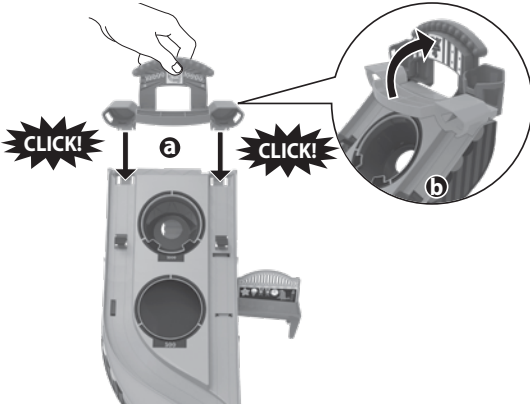
3.



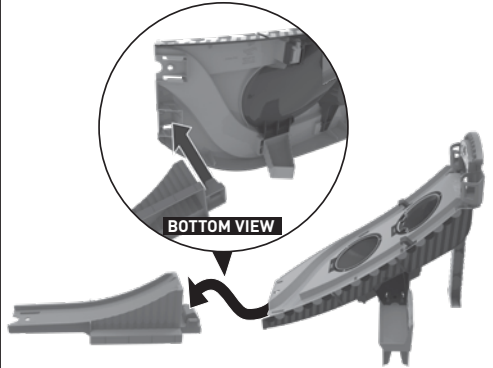
4.



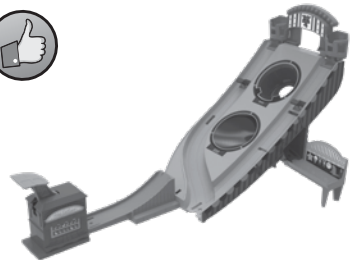
5. TURN THE BASE OVER TO CONTINUE ON TOP.



6.

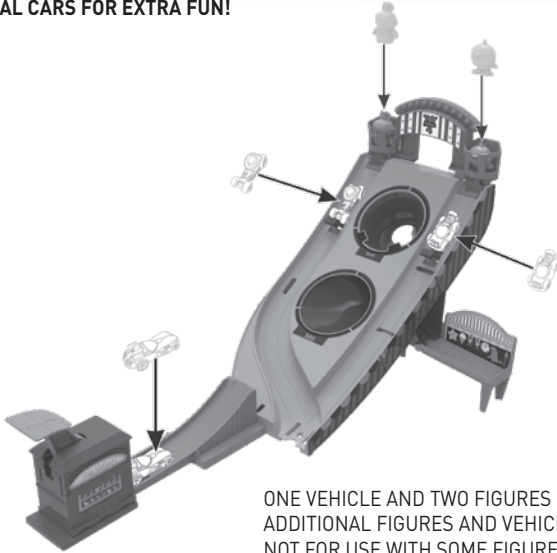


7.



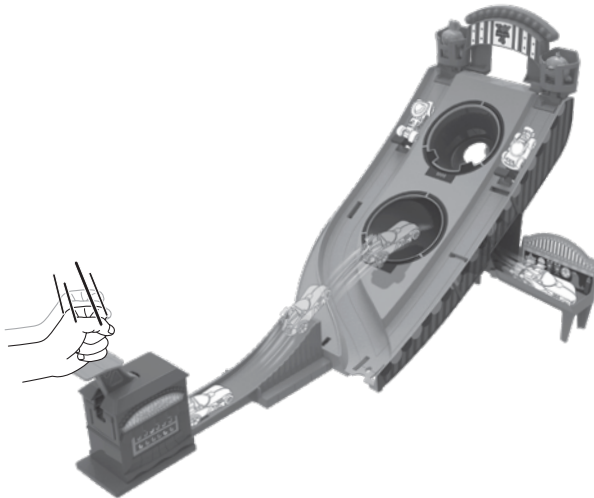
# TO PLAY

- 1. LOAD BUZZ LIGHTYEAR CHARACTER CAR ONTO LAUNCHER AND DUCKY AND BUNNY MINIS INTO TRAPS.**  
ADD ADDITIONAL CARS FOR EXTRA FUN!



ONE VEHICLE AND TWO FIGURES INCLUDED.  
ADDITIONAL FIGURES AND VEHICLES SOLD SEPARATELY.  
NOT FOR USE WITH SOME FIGURES AND HOT WHEELS® VEHICLES.

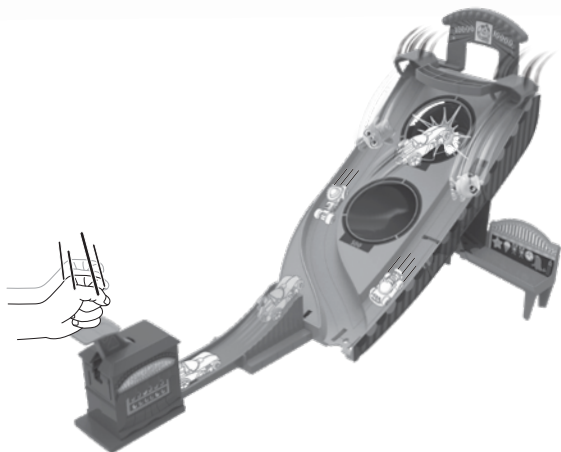
- 2. LAUNCH BUZZ LIGHTYEAR TO INFINITY AND BEYOND TO SAVE HIS FRIENDS!**  
IF YOU LAND IN THE BOTTOM BLUE BUCKET, TRY AGAIN!



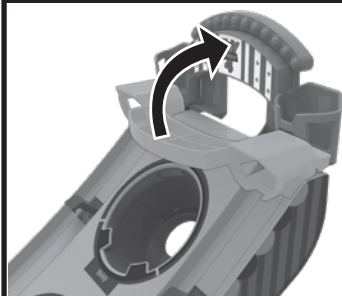
**TIP:** ADJUST SLAMMING POWER FOR BEST PERFORMANCE.

# TO PLAY (CONTD.)

**3. LAUNCH UNTIL YOU REACH THE RED TOP BUCKET TO FREE DUCKY & BUNNY!**

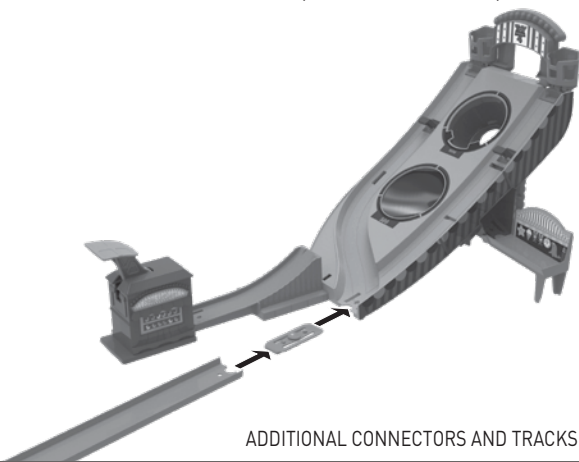


**TO RESET.**



# MORE WAYS TO PLAY

**CONNECTS TO OTHER HOT WHEELS® SETS (SOLD SEPARATELY) TO EXPAND THE STORY!**



ADDITIONAL CONNECTORS AND TRACKS NOT INCLUDED.

©2018 Mattel. © and ™ designate U.S. trademarks of Mattel, except as noted. Mattel, Inc., 636 Girard Avenue, East Aurora, NY 14052, U.S.A. Consumer Services 1-800-524-8697 or 1-877-219-8335 (for products that can be controlled by smart devices). Mattel U.K. Ltd., Vanwall Business Park, Maidenhead SL6 4UB. Helpline 01628 500303. Mattel Australia Pty., Ltd., Richmond, Victoria. 3121. Consumer Advisory Service - 1300 135 312. Mattel South Africa (PTY) LTD, Office 102 I3, 30 Melrose Boulevard, Johannesburg 2196. Mattel East Asia Ltd., Room 503-09, North Tower, World Finance Centre, Harbour City, Tsimshatsui, HK, China. Tel.: (852) 3185-6500. Diimport & Diedarkan Oleh: Mattel Southeast Asia Pte. Ltd., No 19-1, Tower 3 Avenue 7, Bangsar South City, No 8, Jalan Kerinchi, 59200 Kuala Lumpur, Malaysia. Tel: 03-33419052.