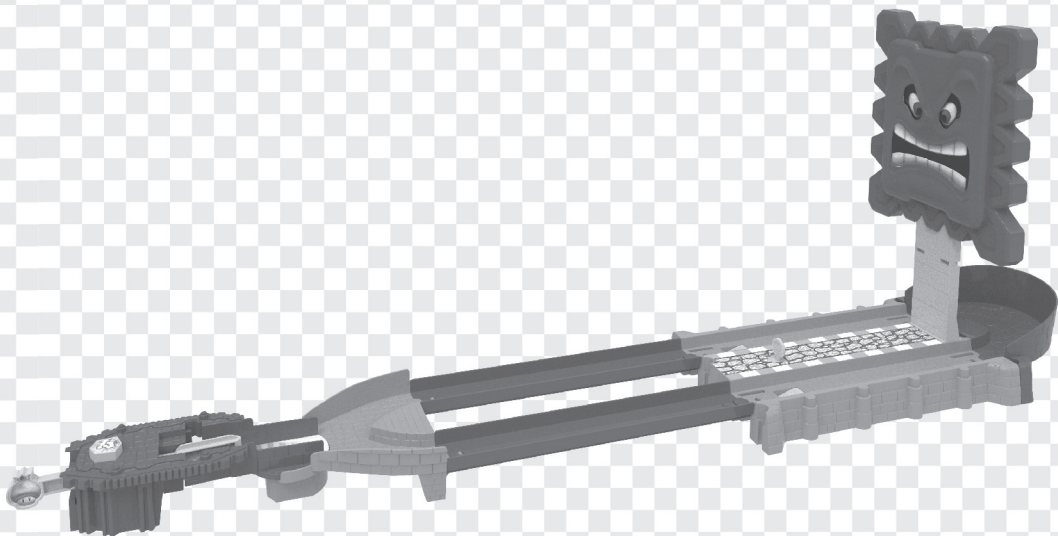


MARIOKART™



INSTRUCTIONS



5+

? service.mattel.com

HOTWHEELS.COM



TM & © 2019 Nintendo.

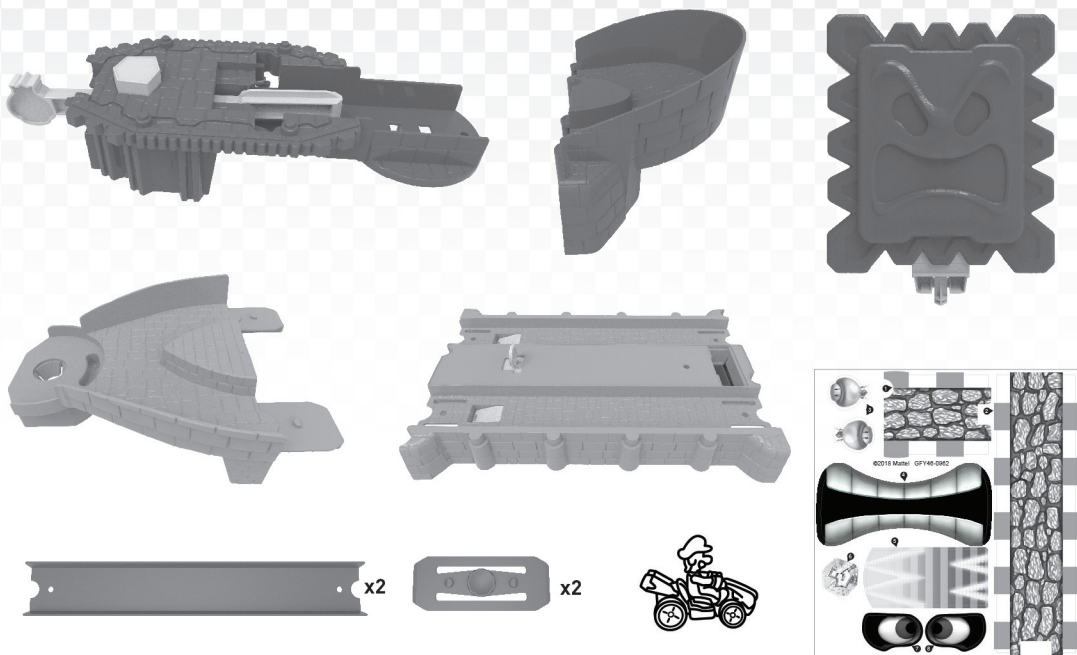
PLEASE KEEP THESE INSTRUCTIONS FOR FUTURE REFERENCE AS THEY CONTAIN IMPORTANT INFORMATION.



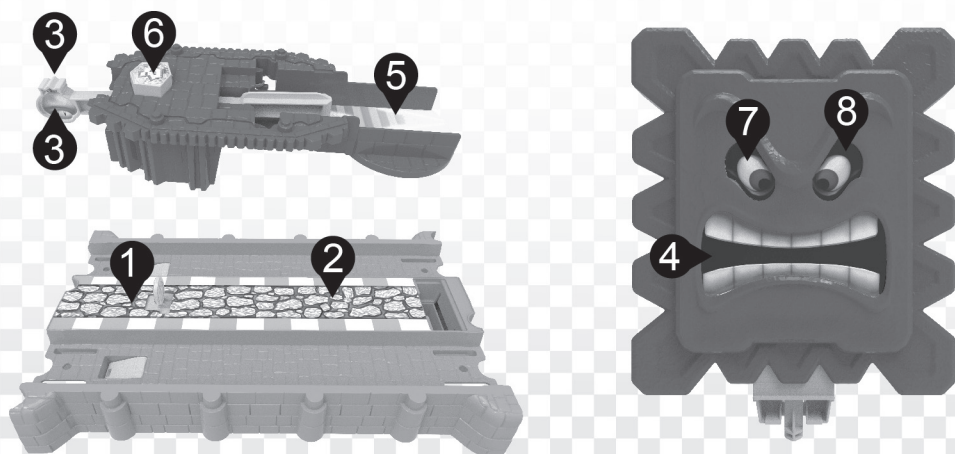
ASST.GCP26
GFY46-0970

THWOMP RUINS TRACK SET

HERE'S WHAT YOU GET!



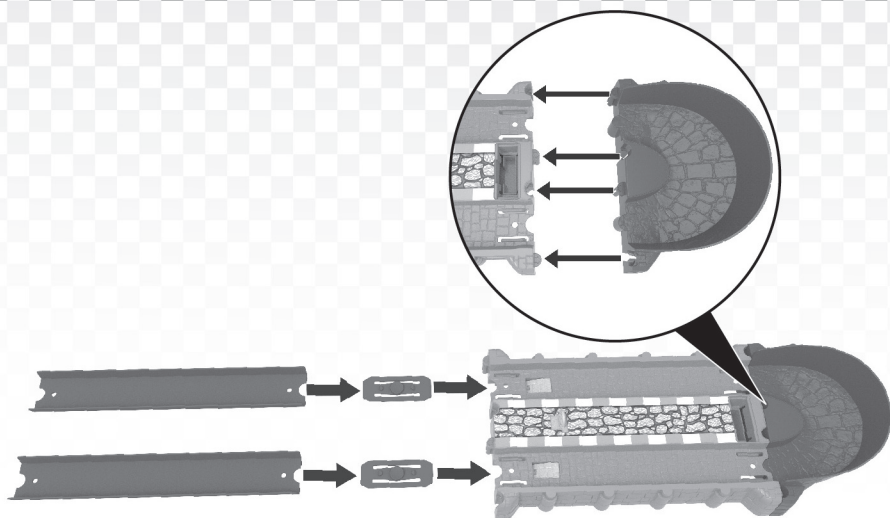
APPLY LABELS



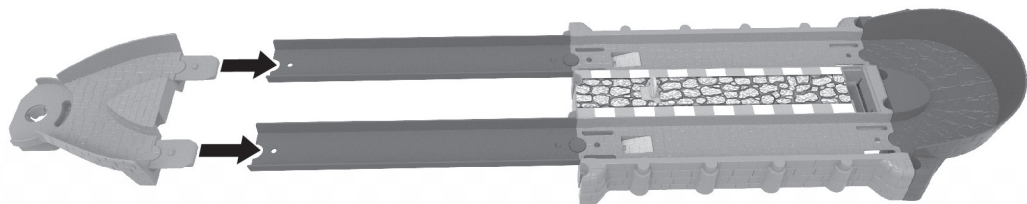
2

BUILD

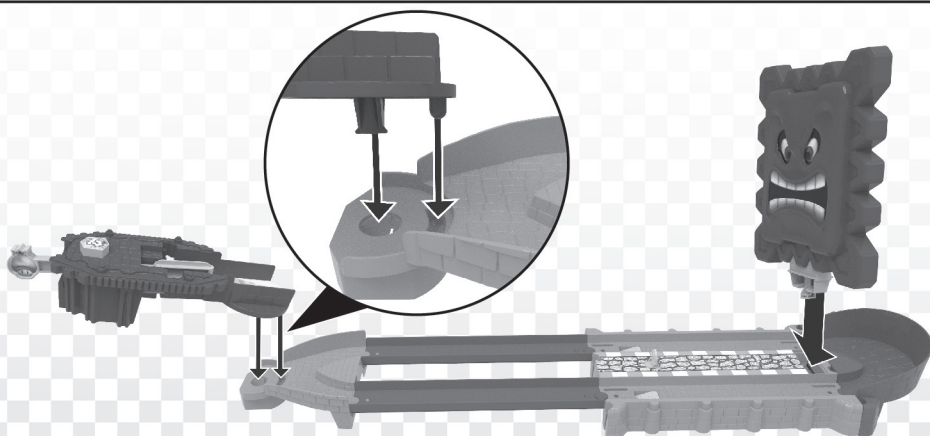
1.



2.



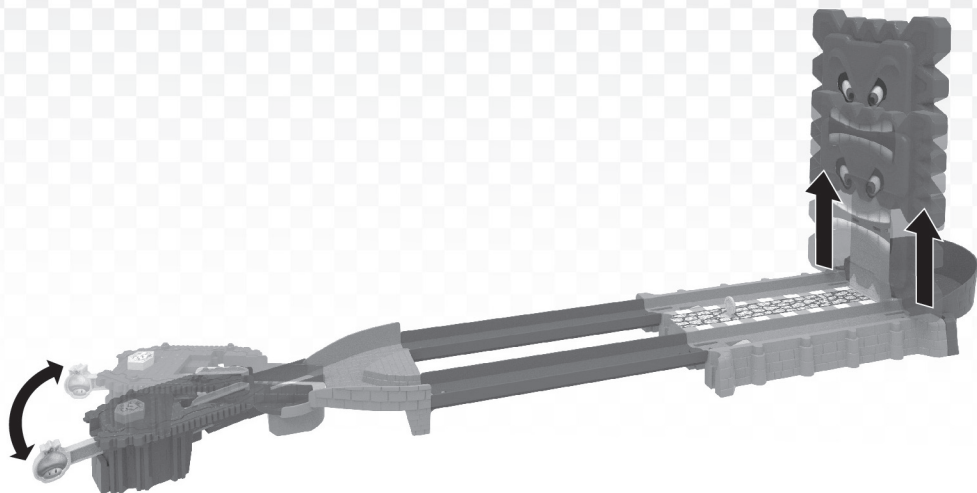
3.



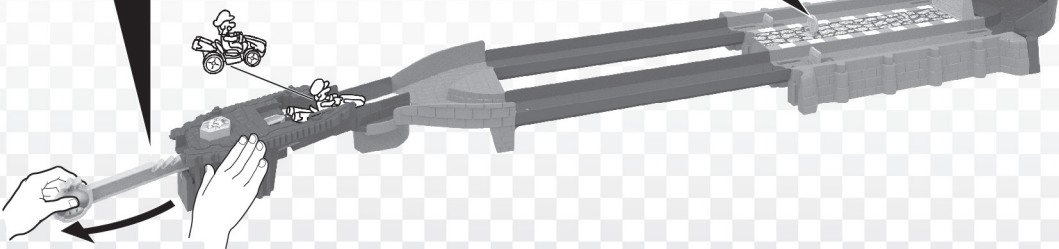
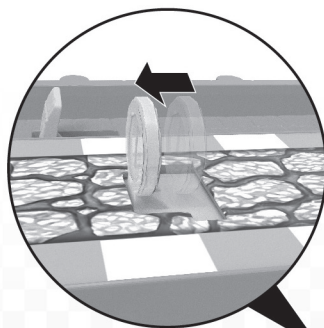
3

RACE

1. PULL THE THWOMP UP. CHOOSE YOUR LANE BY ADJUSTING THE LAUNCHER FROM SIDE TO SIDE.



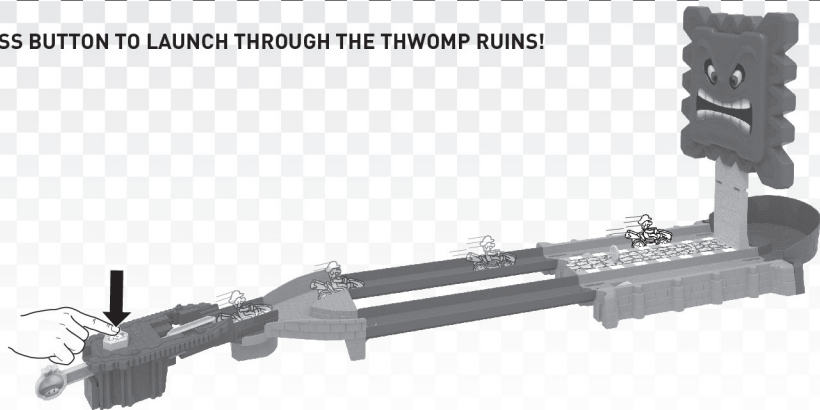
2. PULL BACK AND LOCK LAUNCHER. LOAD YOUR KART. SLIDE COIN SWITCH TOWARD LAUNCHER TO ACTIVATE THE MOVING THWOMP.



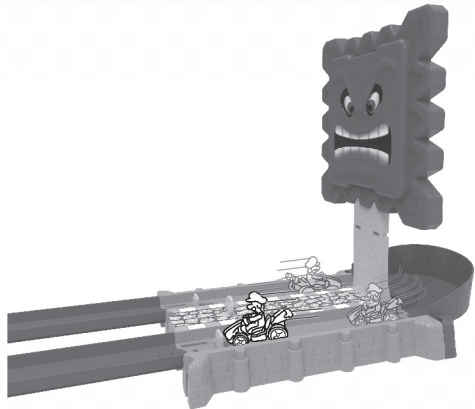
NOT FOR USE WITH SOME HOT WHEELS® VEHICLES.

RACE (CONTD.)

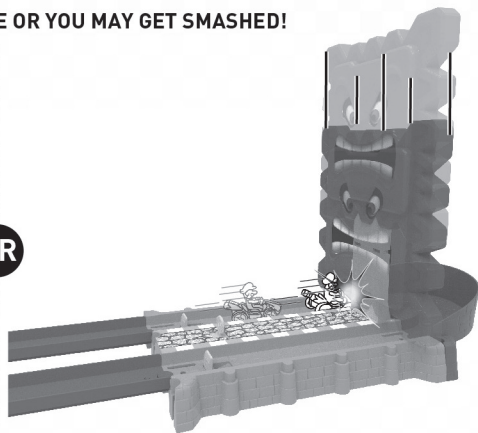
3. PRESS BUTTON TO LAUNCH THROUGH THE THWOMP RUINS!



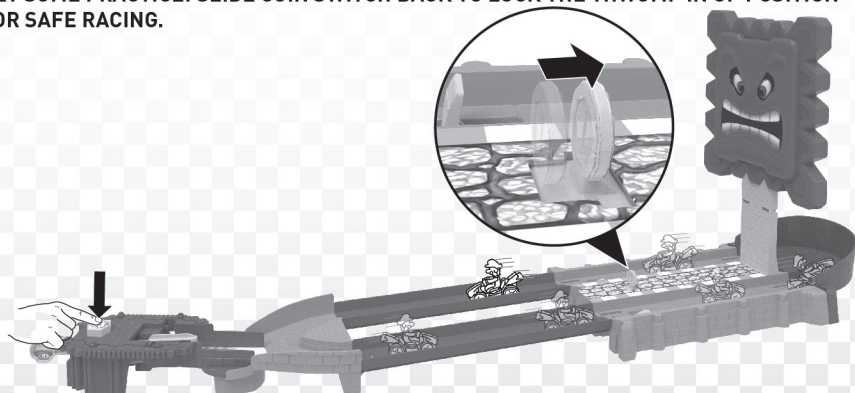
4. WATCH OUT! RACE PAST THE THWOMP JUST IN TIME OR YOU MAY GET SMASHED!



OR

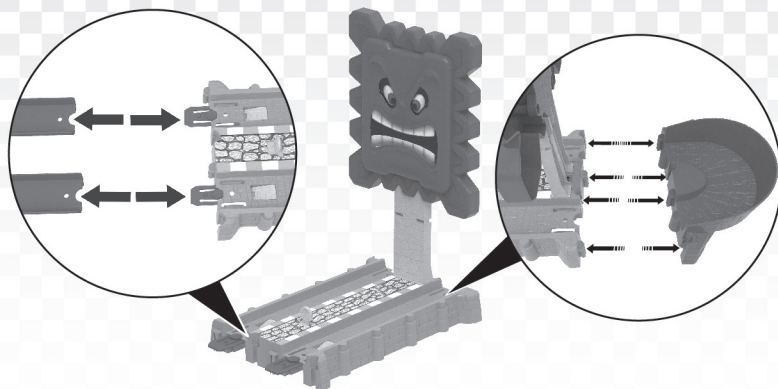


5. GET SOME PRACTICE! SLIDE COIN SWITCH BACK TO LOCK THE THWOMP IN UP POSITION FOR SAFE RACING.



MORE WAYS TO RACE

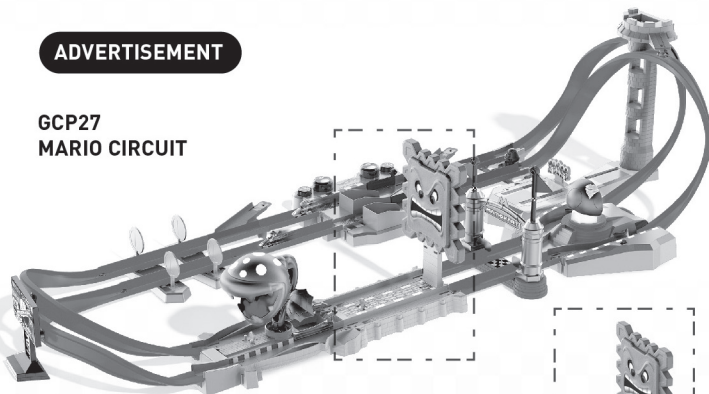
1. DETACH THE THWOMP SECTION FROM THE TRACK.



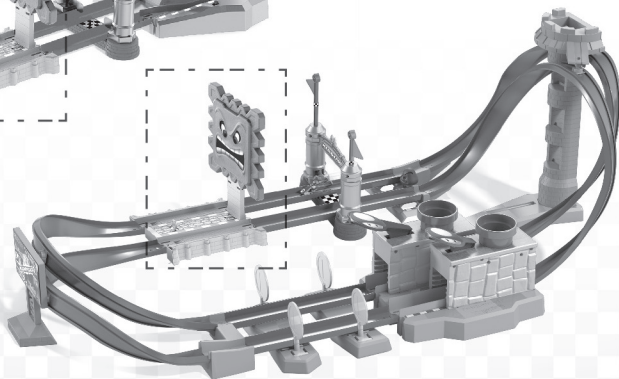
2. CONNECT TO MARIO CIRCUIT OR MARIO CIRCUIT LITE SET FOR MORE CHALLENGES!

ADVERTISEMENT

GCP27
MARIO CIRCUIT



GHK15
MARIO CIRCUIT LITE



ADDITIONAL TRACKS AND SETS SOLD SEPARATELY, SUBJECT TO AVAILABILITY.

©2018 Mattel. ® and ™ designate U.S. trademarks of Mattel, except as noted. Mattel, Inc., 636 Girard Avenue, East Aurora, NY 14052, U.S.A. Consumer Services 1-800-524-8697 or 1-877-219-8335 (for products that can be controlled by smart devices). Mattel U.K. Ltd., Vanwall Business Park, Maidenhead SL6 4UB, Helpline 01628 500303. Mattel Australia Pty., Ltd., Richmond, Victoria. 3121. Consumer Advisory Service - 1300 135 312. Mattel South Africa (PTY) LTD, Office 102 I3, 30 Melrose Boulevard, Johannesburg 2196. Mattel East Asia Ltd., Room 503-09, North Tower, World Finance Centre, Harbour City, Tsimshatsui, HK, China. Tel.: (852) 3185-6500. Diimport & Diedarkan Oleh: Mattel Southeast Asia Pte. Ltd., No 19-1, Tower 3 Avenue 7, Bangsar South City, No 8, Jalan Kerinchi, 59200 Kuala Lumpur, Malaysia. Tel: 03-33419052.