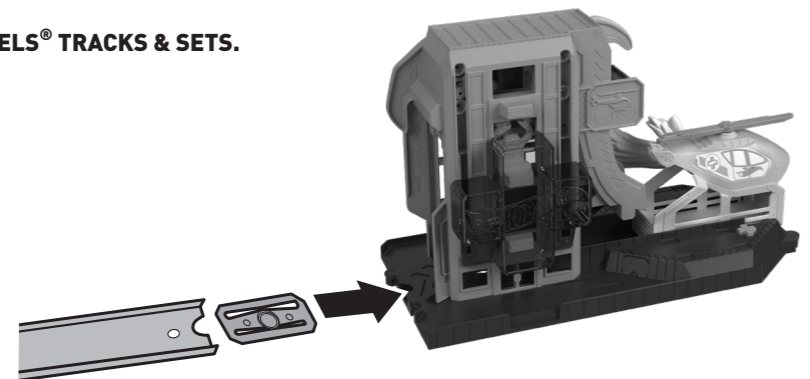
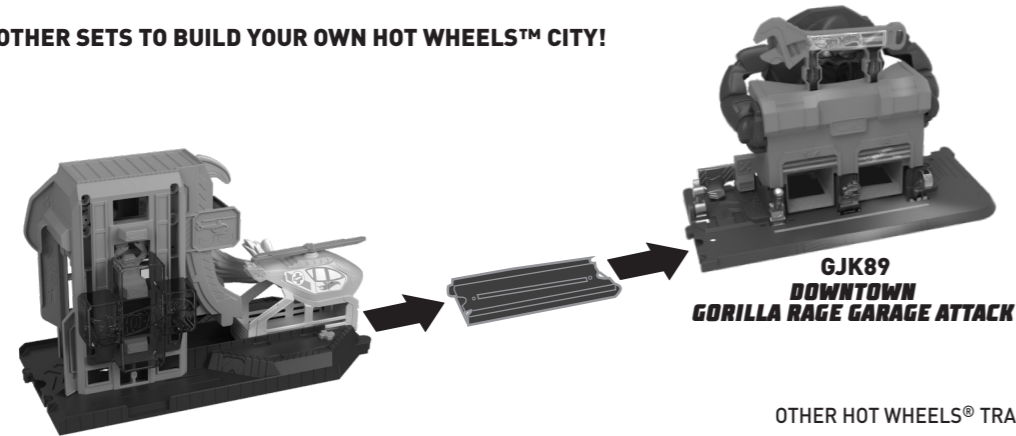


3 MORE WAYS TO PLAY

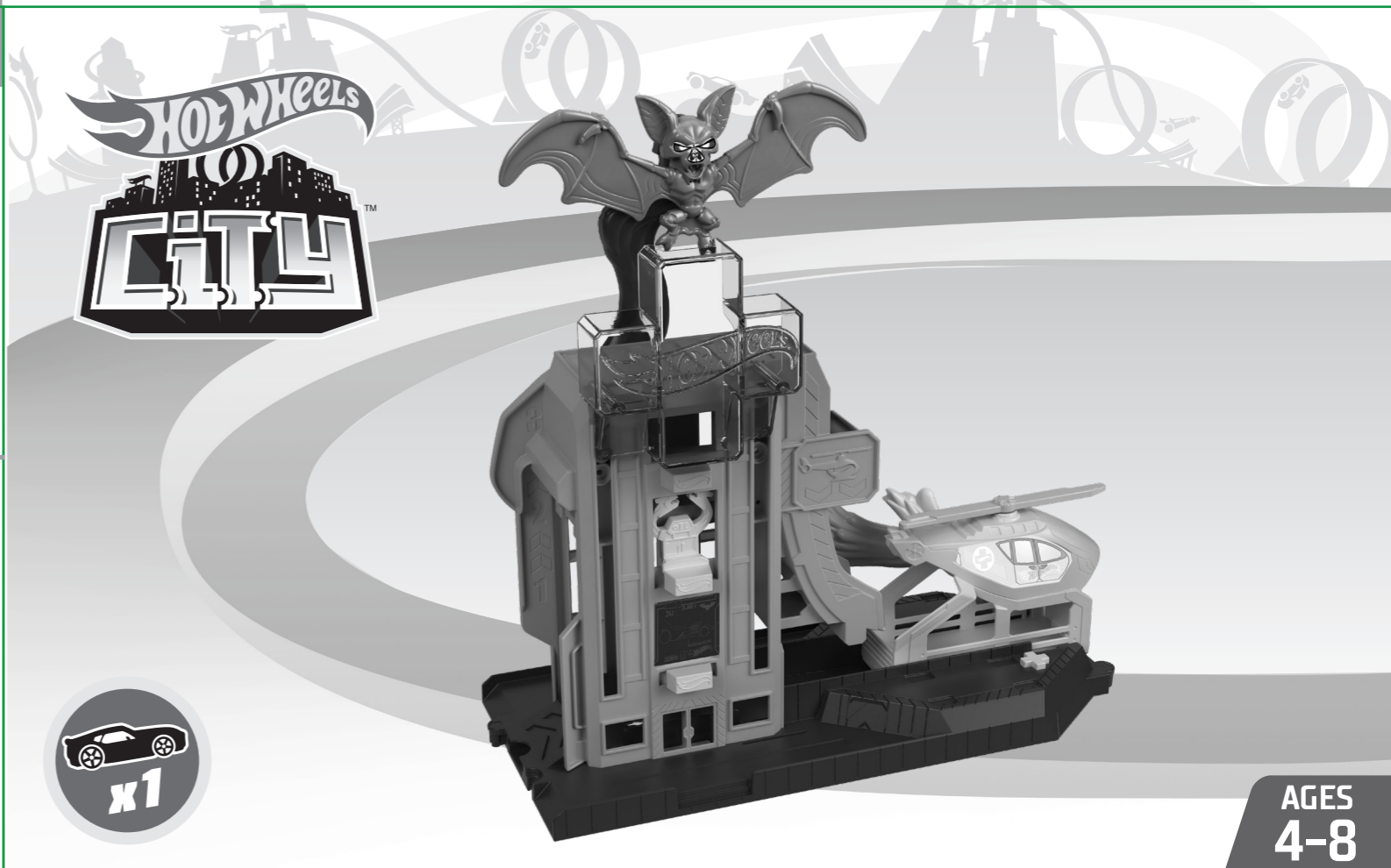
1 CONNECT TO HOT WHEELS® TRACKS & SETS.



2 COLLECT OTHER SETS TO BUILD YOUR OWN HOT WHEELS™ CITY!



OTHER HOT WHEELS® TRACKS AND SETS SOLD SEPARATELY.



©2019 Mattel. Mattel, Inc., 636 Girard Avenue, East Aurora, NY 14052, U.S.A. Consumer Services 1-800-524-8697. Mattel U.K. Ltd., Vanwall Business Park, Maidenhead SL6 4UB. Helpline 01628 500303. Mattel Australia Pty. Ltd., 658 Church St., Richmond, Victoria, 3121. Consumer Advisory Service - 1300 135 312. Mattel South Africa (PTY) LTD, Office 102 13, 30 Melrose Boulevard, Johannesburg 2196. Mattel East Asia Ltd., Room 503-09, North Tower, World Finance Centre, Harbour City, Tsimshatsui, HK, China. Tel.: (852) 3185-6500. Diimport & Diedarkan Oleh: Mattel Southeast Asia Pte. Ltd., No 19-1, Tower 3 Avenue 7, Bangsar South City, No 8, Jalan Kerinchi, 59200 Kuala Lumpur, Malaysia. Tel: 03-33419052.



ASST.FNB05
GJK90-097061
1102194205-DOM
HOTWHEELS.COM

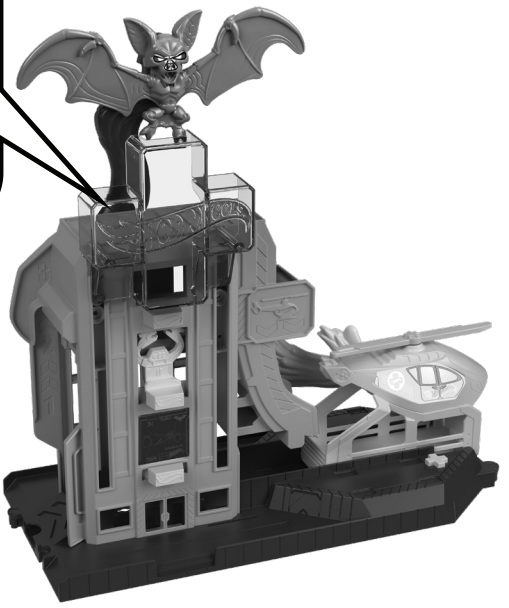
Not for use with some Hot Wheels® vehicles. One vehicle included. Additional vehicles sold separately. Please keep these instructions for future reference as they contain important information.

BAT BLITZ HOSPITAL ATTACK

INSTRUCTIONS

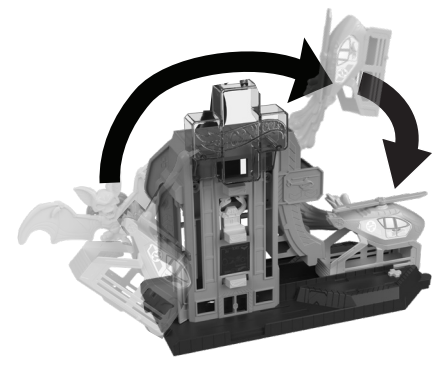
1 SET UP

REMOVE STRAPS WITH SAFETY SCISSORS (NOT INCLUDED) BY ADULTS.

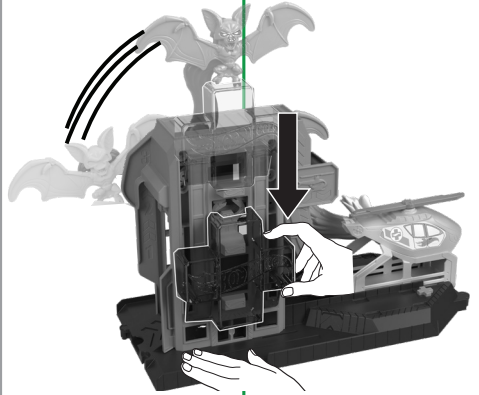


2 TO PLAY

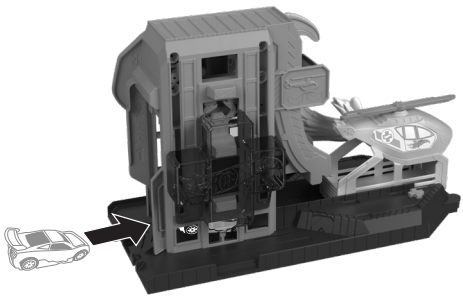
1 LOCK RESCUE COPTER IN PLACE BEFORE PLAY.



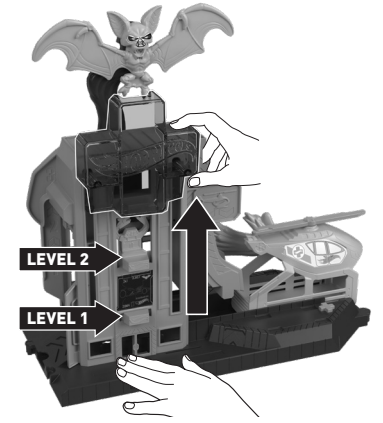
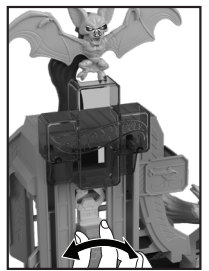
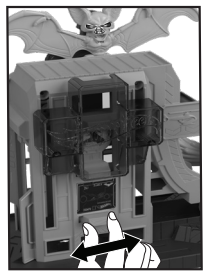
2 MOVE DOWN HOT WHEELS® SIGN TO LOWER ELEVATOR



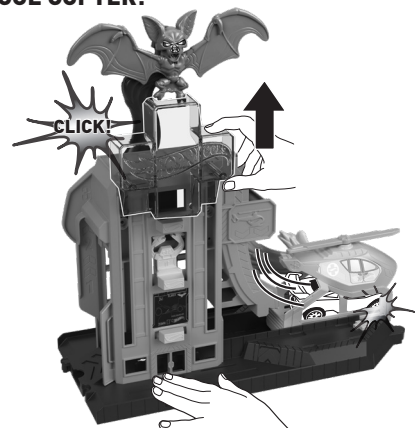
3 DRIVE INTO HOSPITAL.



4 STOP AT EACH FLOOR AND GIVE YOUR CAR A CHECK UP.



5 LIFT TO THE TOP AND LAUNCH DOWN INTO RESCUE COPTER!



NOT FOR USE WITH SOME HOT WHEELS® VEHICLES.

6 PRESS THE BUTTON TO FLY PAST THE ATTACKING ROBO-BAT!

