



# MARIO KART™



service.mattel.com  
**HOTWHEELS.COM**



GKY48-097061  
1102077830-00M



PLEASE KEEP THESE INSTRUCTIONS FOR FUTURE REFERENCE AS THEY CONTAIN IMPORTANT INFORMATION.

COLORS AND DECORATIONS MAY VARY.

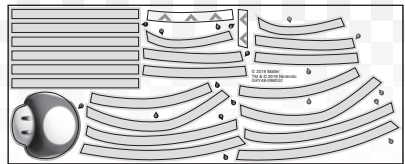
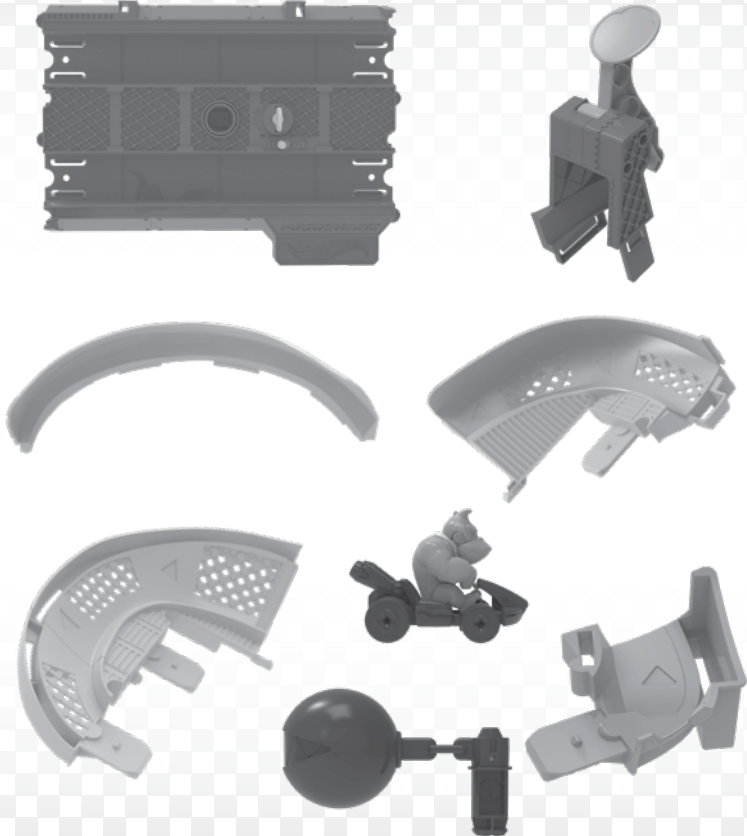
AGE  
**5+**

## INSTRUCTIONS

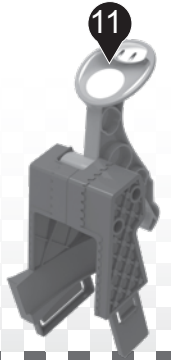
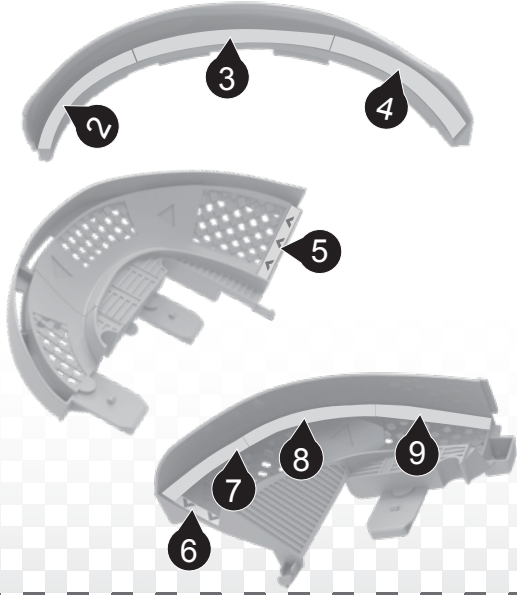
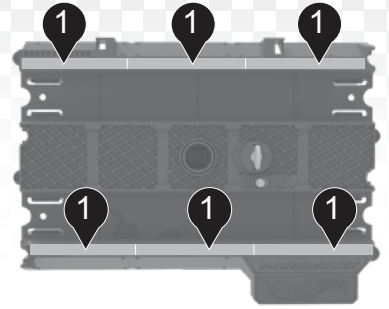
## CHAIN CHOMP TRACKSET

# 1 HERE'S WHAT YOU GET!

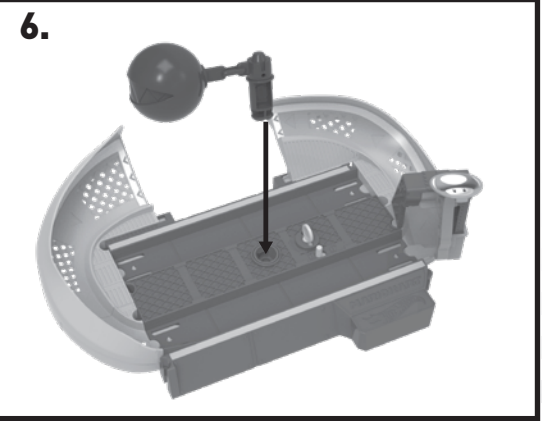
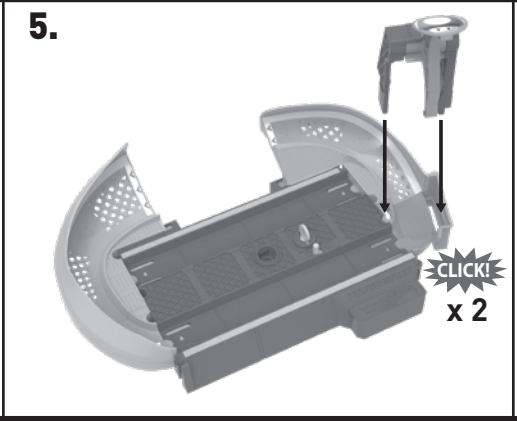
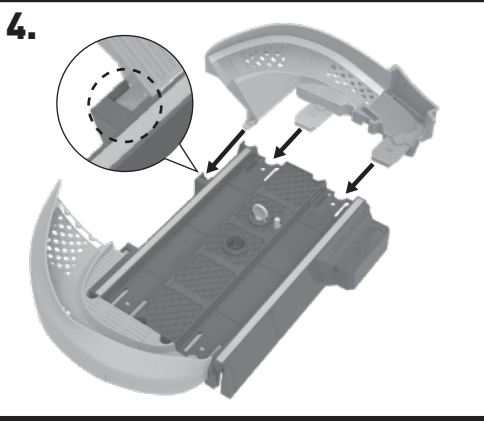
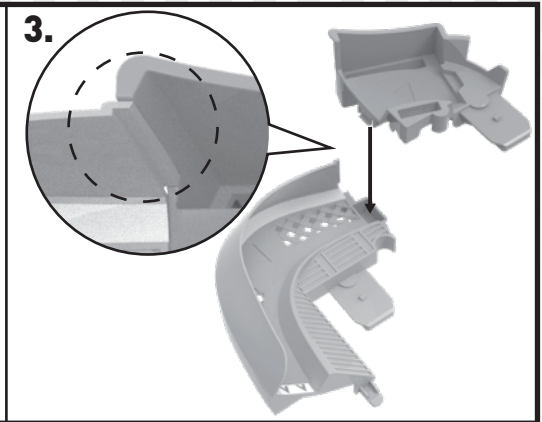
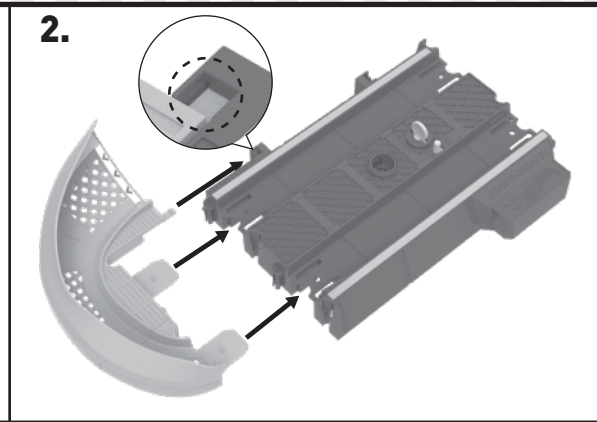
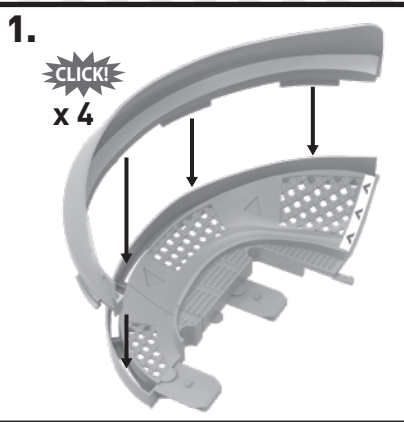
# 2 APPLY LABELS



Blue  = Replacement labels

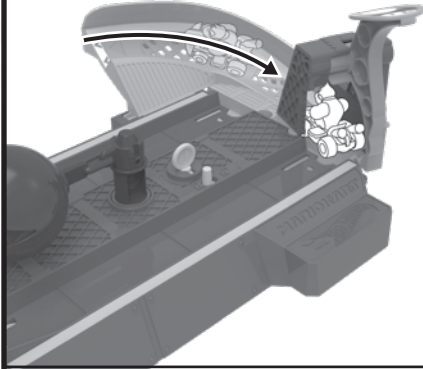


# 3 BUILD

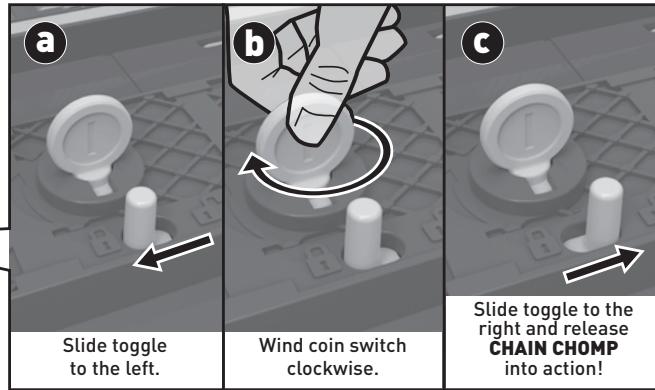
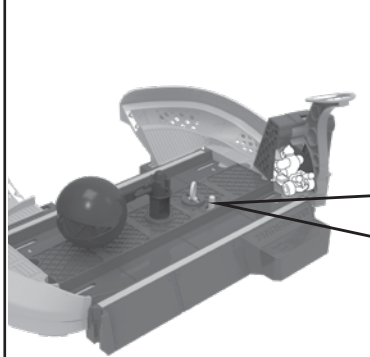


# 4 RACE

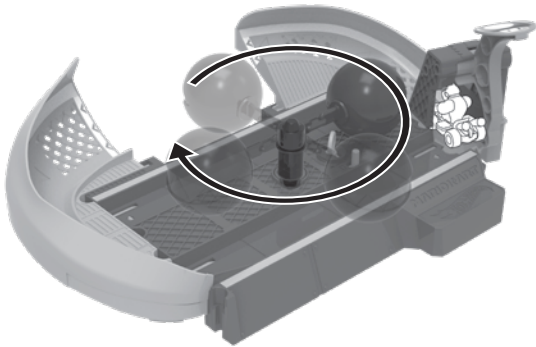
1. Load your kart into launcher.



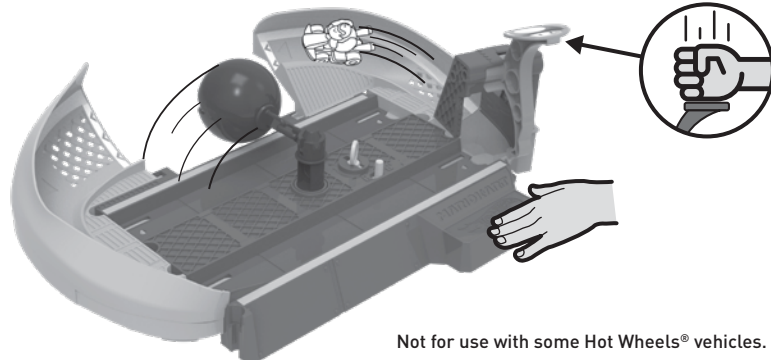
2. Set up **CHAIN CHOMP**.



3. **CHAIN CHOMP** will begin rotating in a clockwise motion.

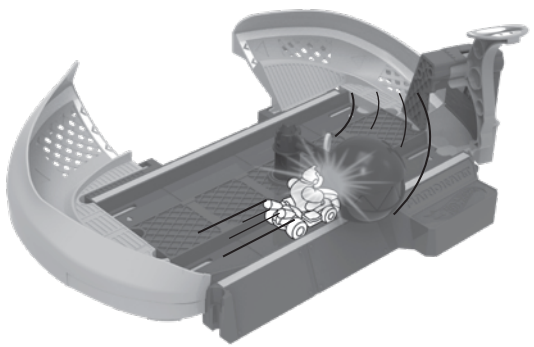


4. Slam the **SUPER MUSHROOM** 🍄 launcher to race your kart along the track!

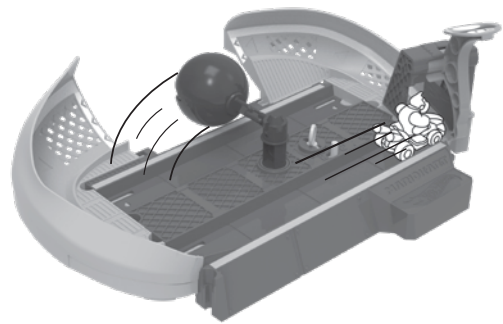


# 4 RACE (CONTD.)

5a. Watch out! Avoid the lunging of **CHAIN CHOMP** or you will be attacked!

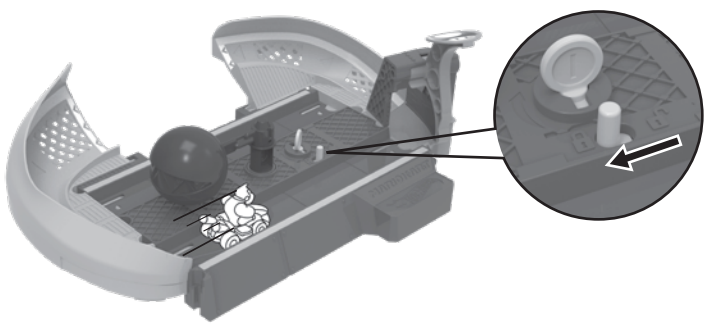


5b. Time it right to successfully complete the lap!

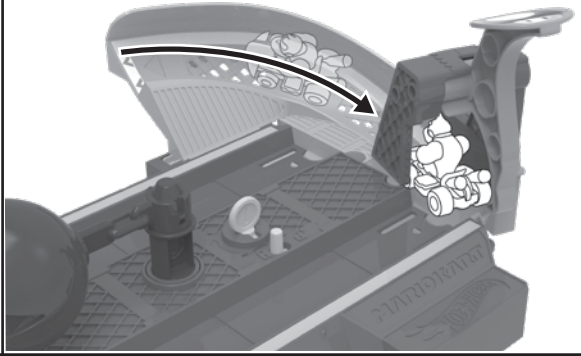


TIP: Adjust your slamming power for best performance.

6. For safe racing, slide toggle to lock **CHAIN CHOMP** and launch again.

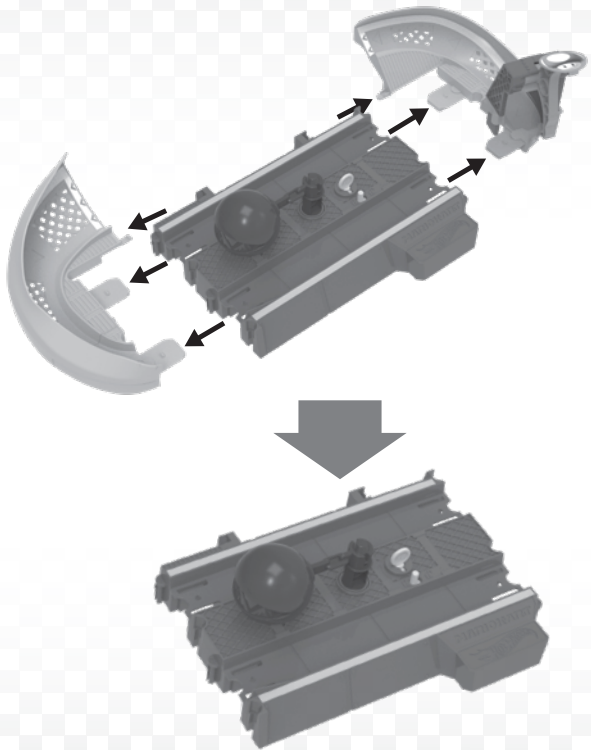


7. Slam to launch for the next lap once your kart is ready at starting line.



# 5 MORE WAYS TO RACE

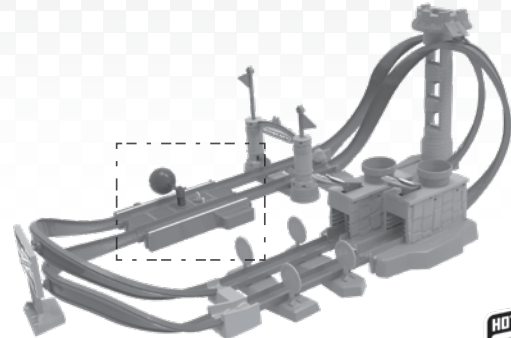
1. Take out the middle part with **CHAIN CHOMP**.



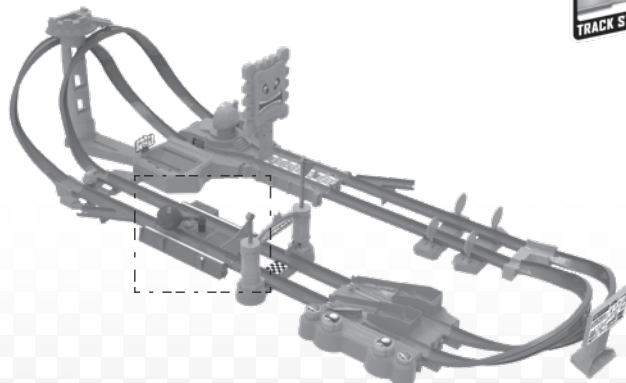
2. Connect to Mario Circuit or Mario Circuit Lite set for more challenges!

**ADVERTISEMENT**

GHK15  
MARIO CIRCUIT LITE



GCP27  
MARIO CIRCUIT



Additional tracks and sets sold separately, subject to availability.