

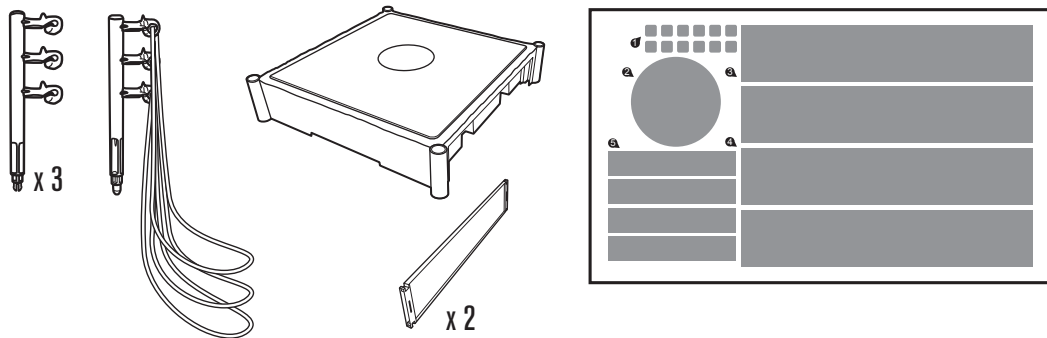


# SUPERSTAR RING INSTRUCTIONS

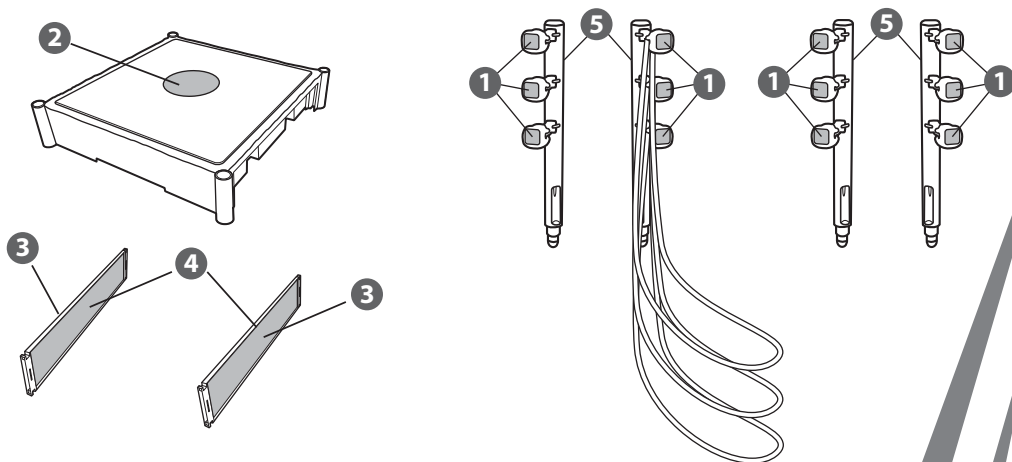
6+

Please keep these instructions for future reference as they contain important information.

## CONTENTS



## 1. APPLY LABELS



**HELPFUL HINT:** Apply labels before assembly by numbers as indicated.

©2019 Mattel. ® and ™ designate U.S. trademarks of Mattel, except as noted. Mattel, Inc., 636 Girard Avenue, East Aurora, NY 14052, U.S.A. Consumer Services 1-800-524-8697. Mattel U.K. Ltd., Vanwall Business Park, Maidenhead SL6 4UB. Helpline 01628 500303. Mattel Australia Pty., Ltd., Richmond, Victoria. 3121.Consumer Advisory Service - 1300 135 312. Mattel South Africa (PTY) LTD, Office 102 I3, 30 Melrose Boulevard, Johannesburg 2196. Mattel East Asia Ltd., Room 503-09, North Tower, World Finance Centre, Harbour City, Tsimshatsui, HK, China. Tel.: (852) 3185-6500. Diimport & Diedarkan Oleh: Mattel Southeast Asia Pte. Ltd. , No 19-1, Tower 3 Avenue 7, Bangsar South City, No 8, Jalan Kerinchi, 59200 Kuala Lumpur, Malaysia. Tel: 03-33419052.

All WWE programming, talent names, images, likenesses, slogans, wrestling moves, trademarks, logos and copyrights are the exclusive property of WWE and its subsidiaries. All other trademarks, logos and copyrights are the property of their respective owners. © 2019 WWE. All Rights Reserved.

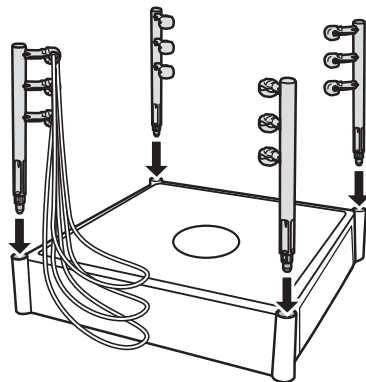
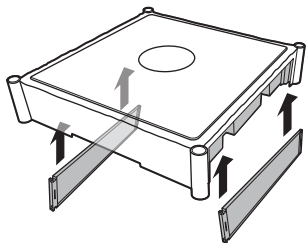


Asst. P9600  
GLF15-0970  
1101288592-Dom

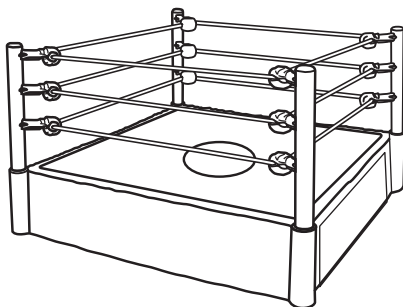
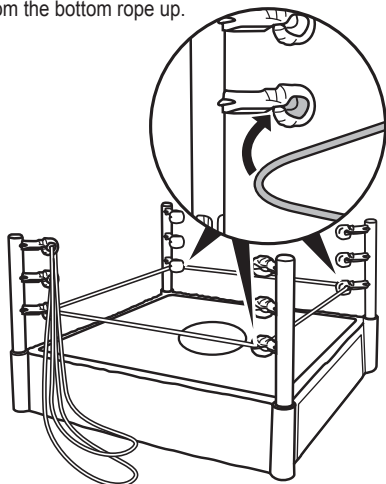


## 2. ASSEMBLY

A. Insert the ring skirts with desired event logos facing you. B.



C. Attach ropes, starting from the bottom rope up.



## 3. TO PLAY



FIGURES NOT INCLUDED.  
SOLD SEPARATELY.  
SUBJECT TO AVAILABILITY.