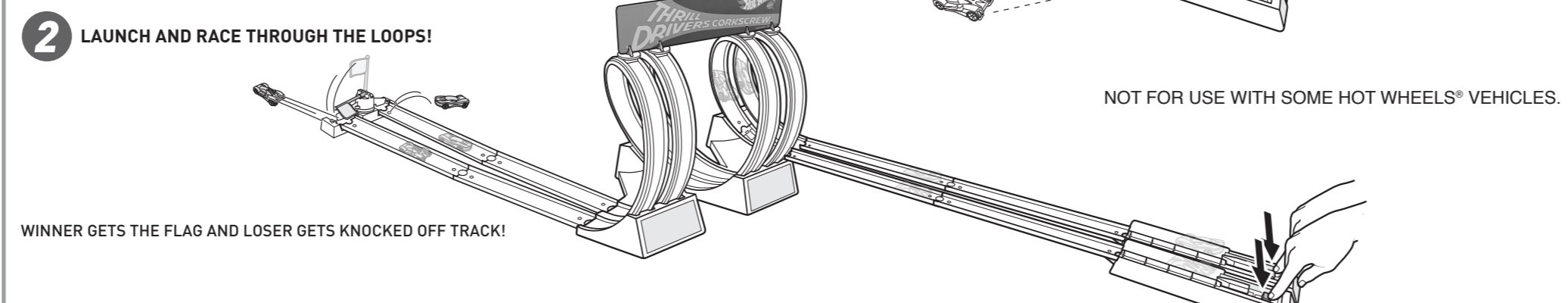
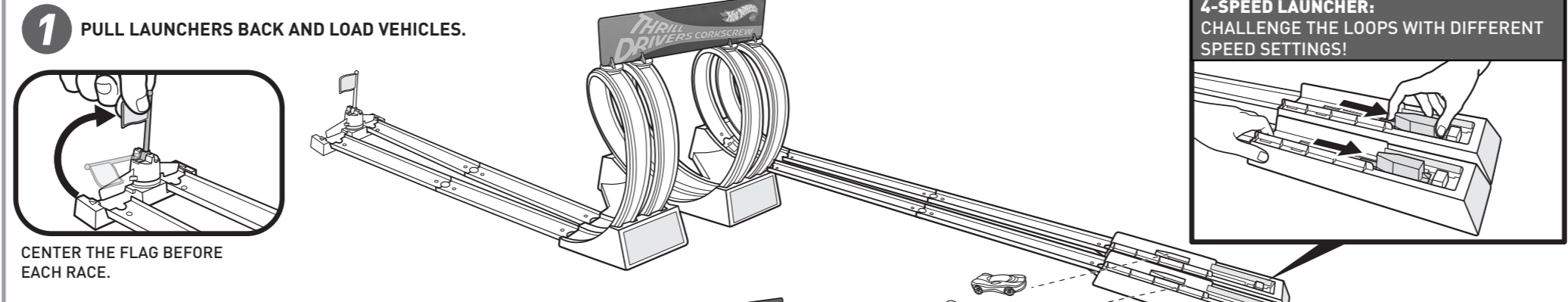
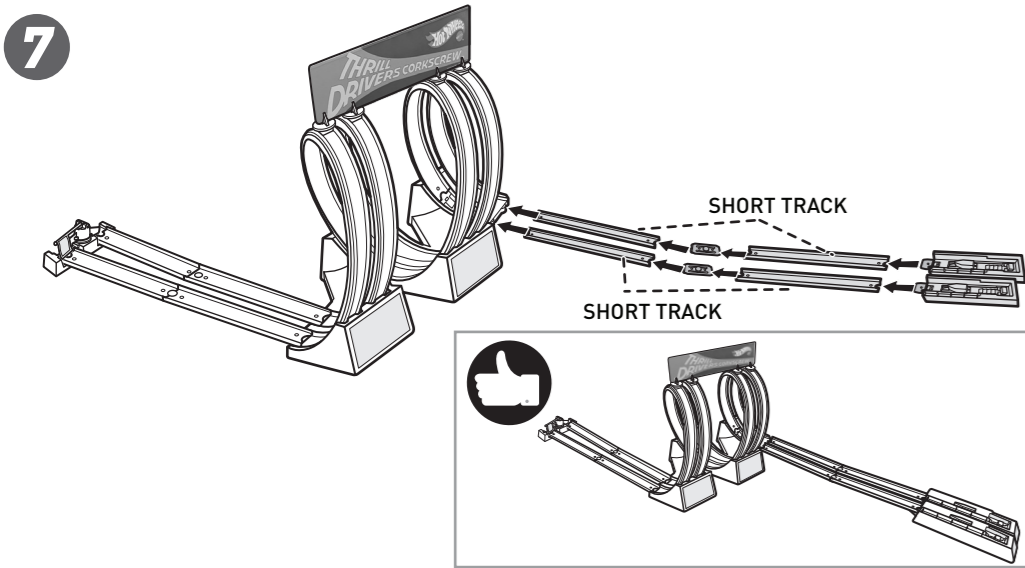
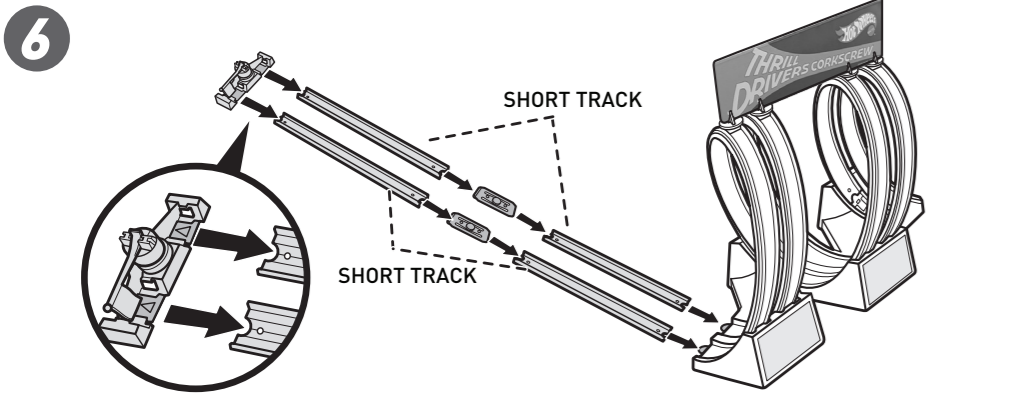


2 ASSEMBLY (CONTD.)

3 TO PLAY

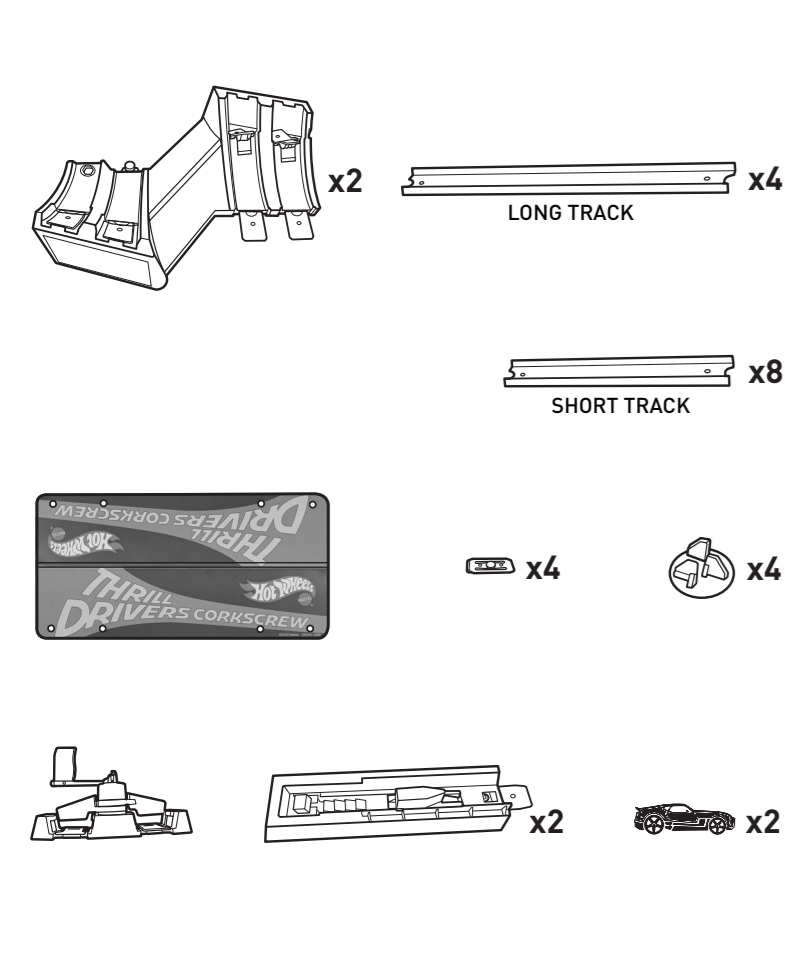


©2020 Mattel. Mattel, Inc., 636 Girard Avenue, East Aurora, NY 14052, U.S.A. Consumer Services 1-800-524-8697. Mattel U.K. Limited, The Porter Building, 1 Brunel Way, Slough SL1 1FQ, UK. Mattel Australia Pty. Ltd., 658 Church St., Richmond, Victoria, 3121. Consumer Advisory Service - 1300 135 312. Mattel South Africa (PTY) LTD, Office 10213, 30 Melrose Boulevard, Johannesburg 2196. Mattel East Asia Ltd., Room 503-09, North Tower, World Finance Centre, Harbour City, Tsimshatsui, HK, China. Tel.: (852) 3185-6500. Diimport & Diedarkan Oleh: Mattel Continental Asia Sdn Bhd. Level 19, Tower 3, Avenue 7, No. 8 Jalan Kerinchi, Bangsar South, 59200 Kuala Lumpur, Malaysia.

GND91-0970-01
1101650738-DOM
HOTWHEELS.COM
Not for use with some Hot Wheels® vehicles.
Two vehicles included. Additional vehicles sold separately.
Please keep these instructions for future reference as they contain important information.

INSTRUCTIONS

1 CONTENTS



2 ASSEMBLY

