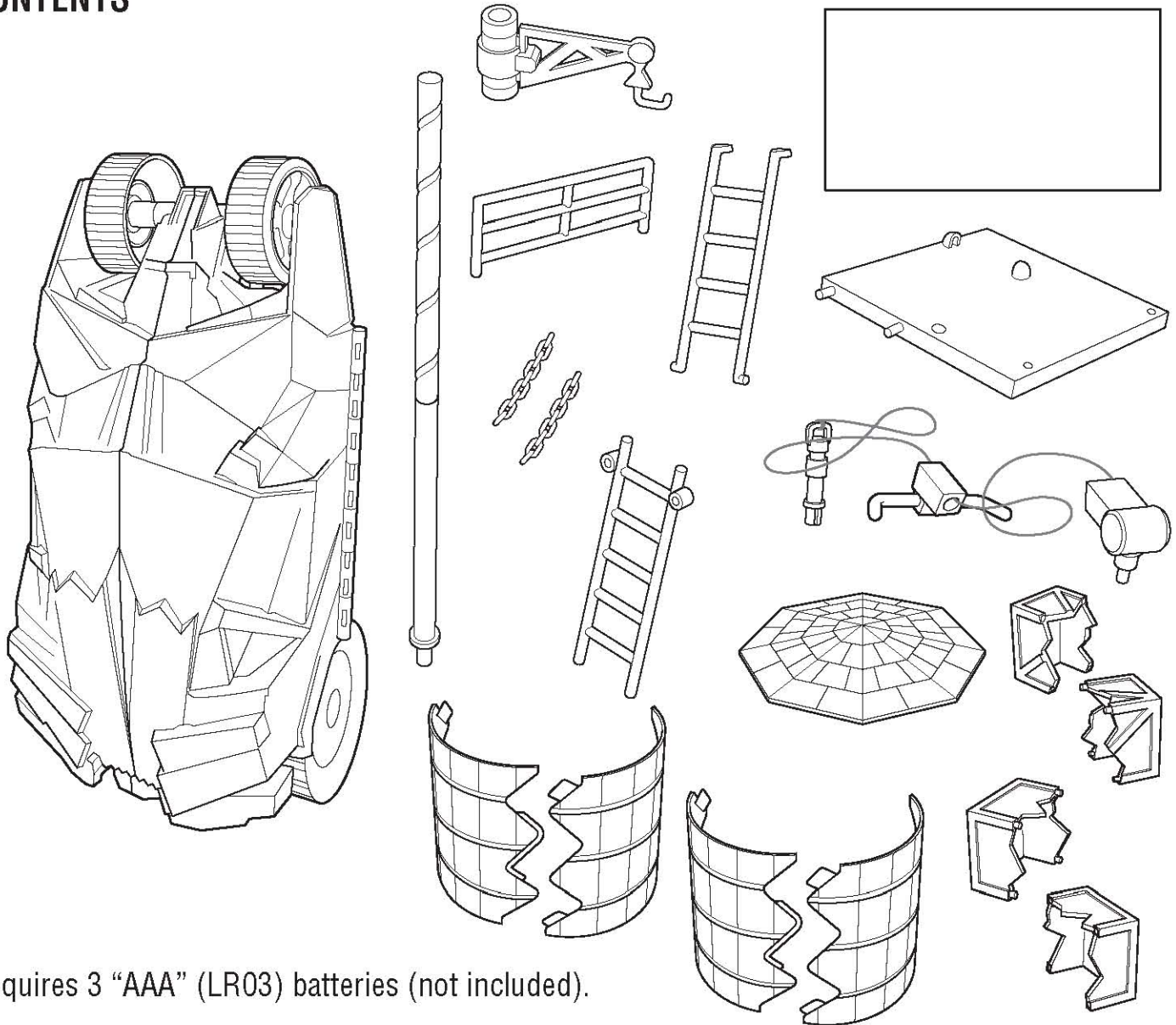




INSTRUCTIONS

Keep these instructions for future reference as they contain important information.

CONTENTS

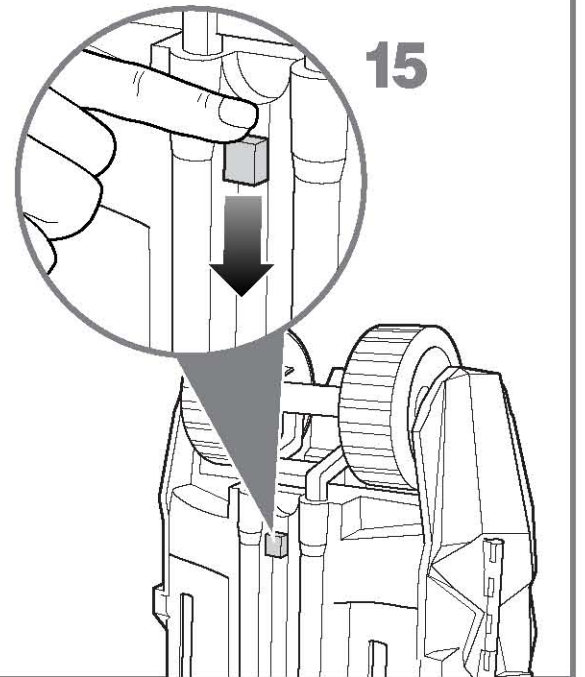
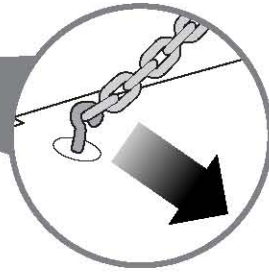
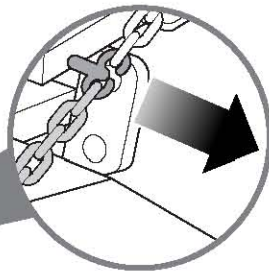
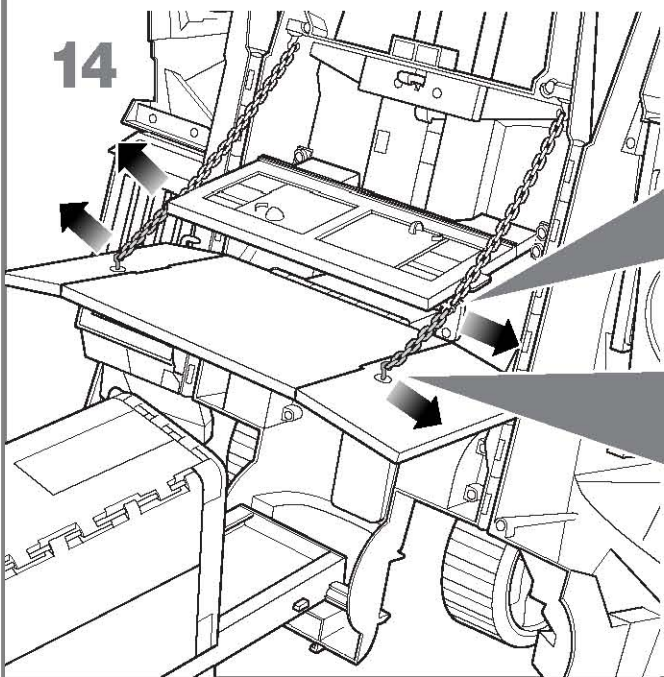
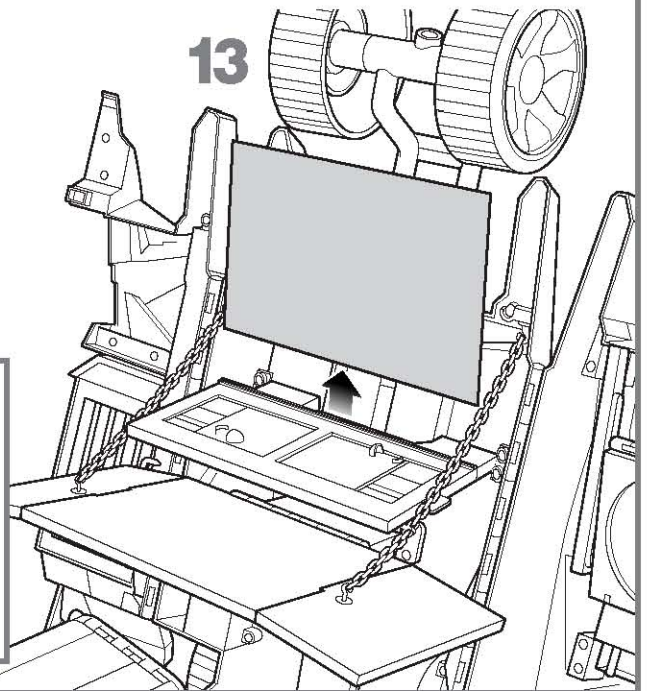
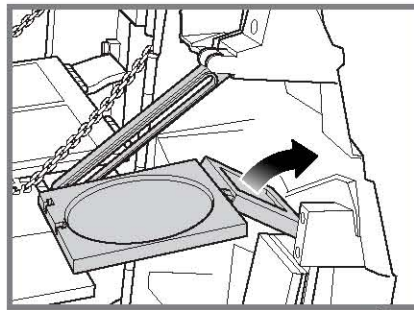
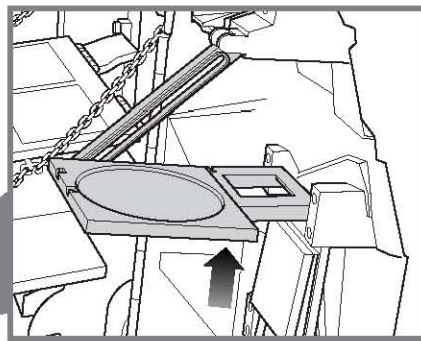
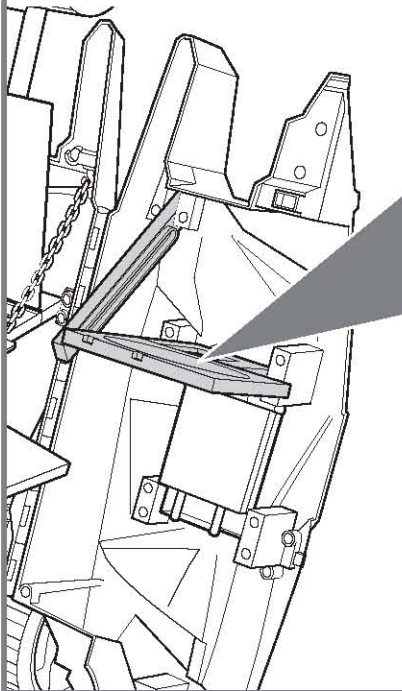
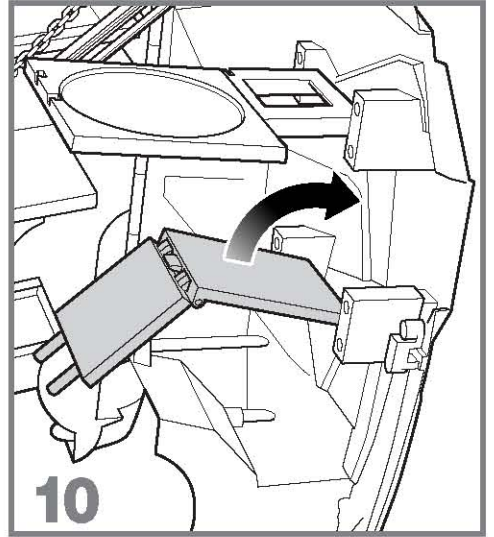
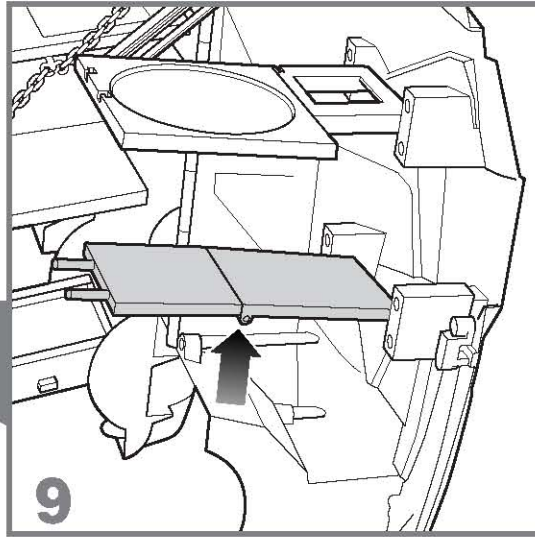
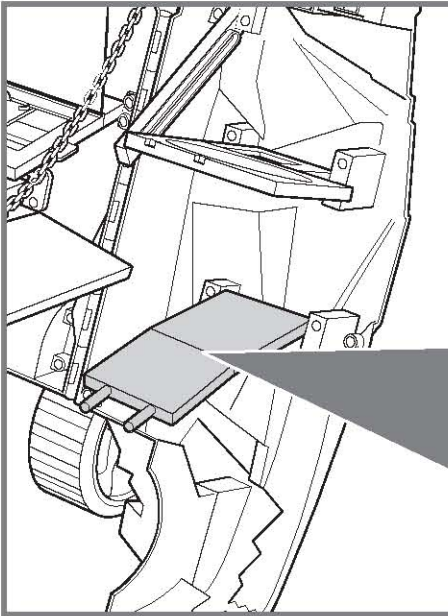


Requires 3 "AAA" (LR03) batteries (not included).

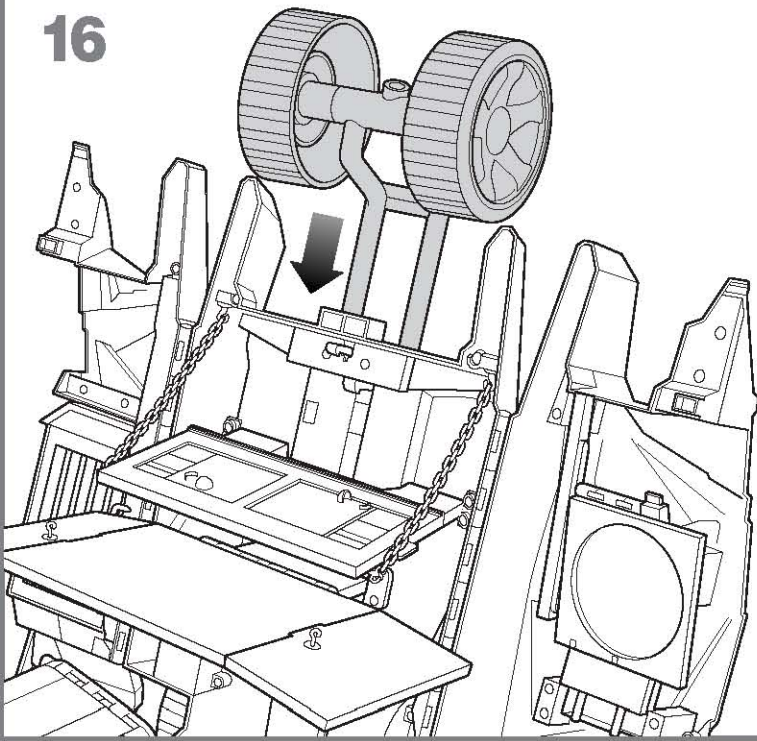


BATMAN and all related characters and elements are trademarks of and © DC Comics.
WB SHIELD: TM & © Warner Bros. Entertainment Inc.
LE LOGO BATMAN et tous les personnages et les éléments afférents sont des marques et des copyrights de DC Comics.
BLASON WB: TM & © Warner Bros. Entertainment Inc.
(s05)
2005 Mattel, Inc. All Rights Reserved. Tous droits réservés.

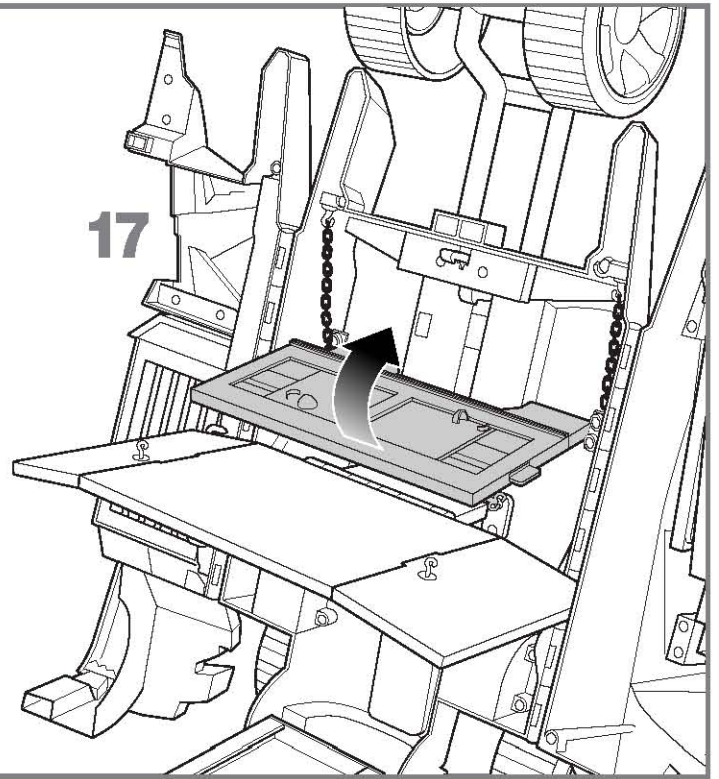




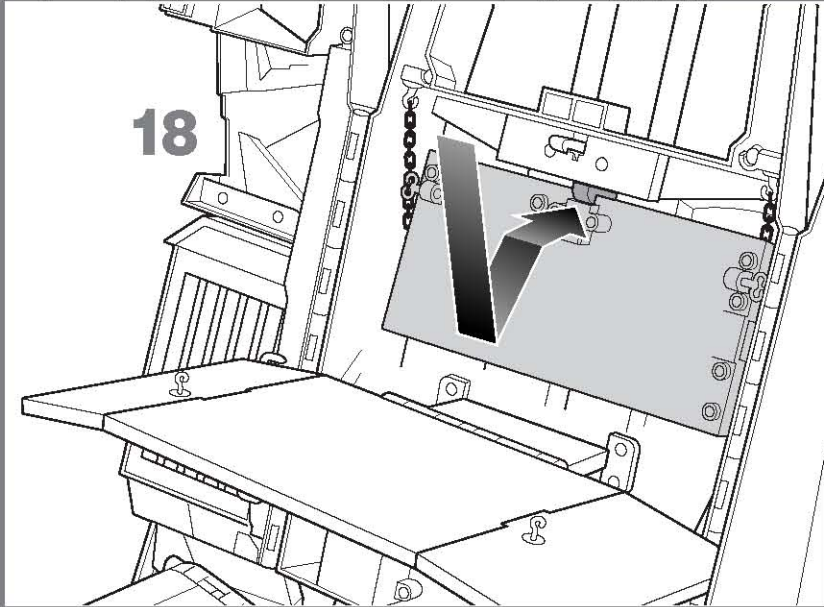
16



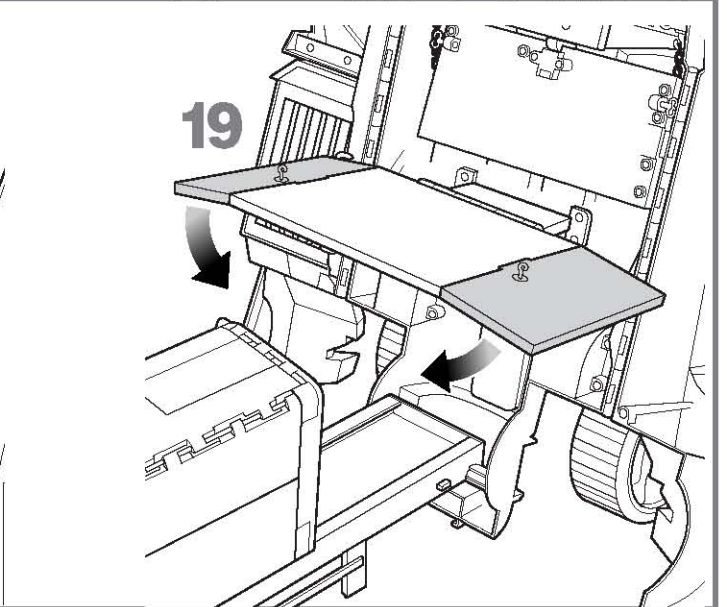
17



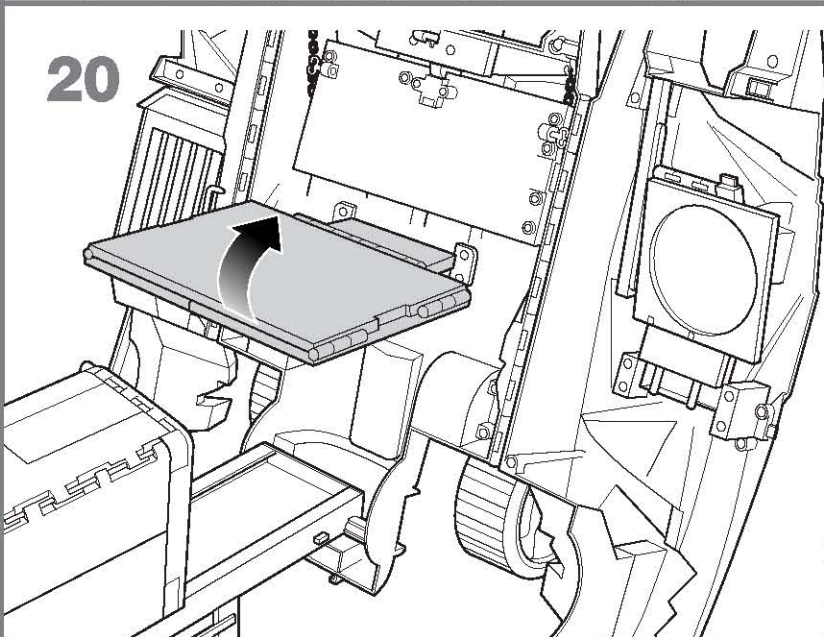
18



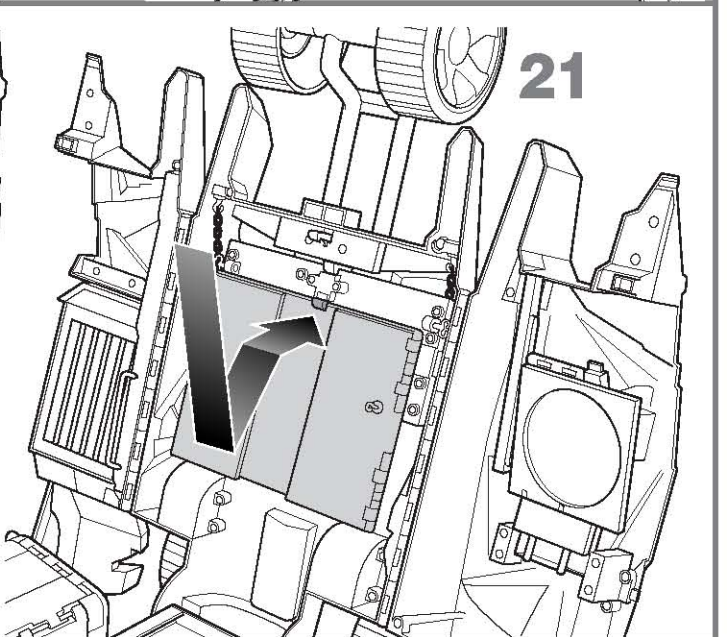
19

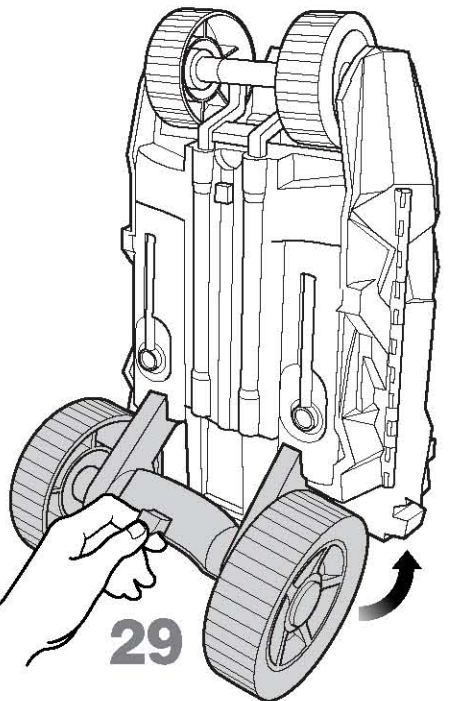
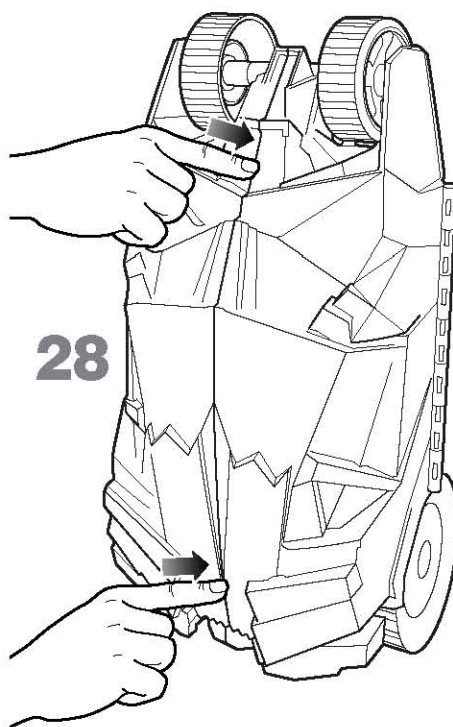
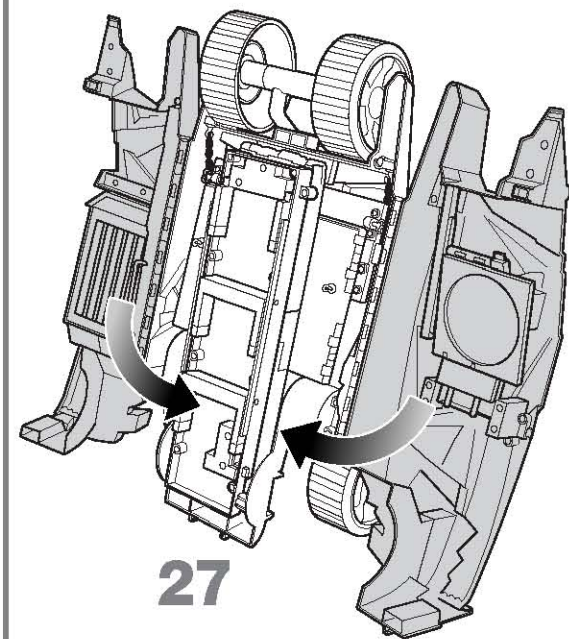
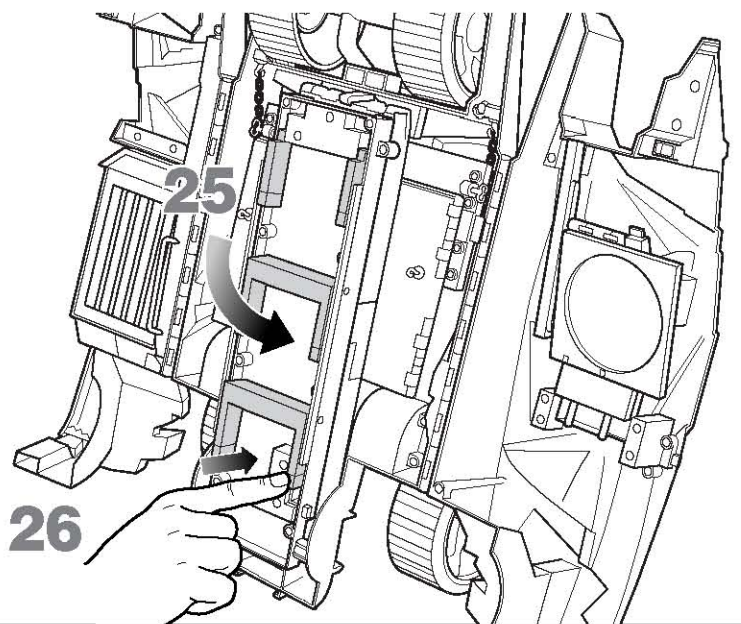
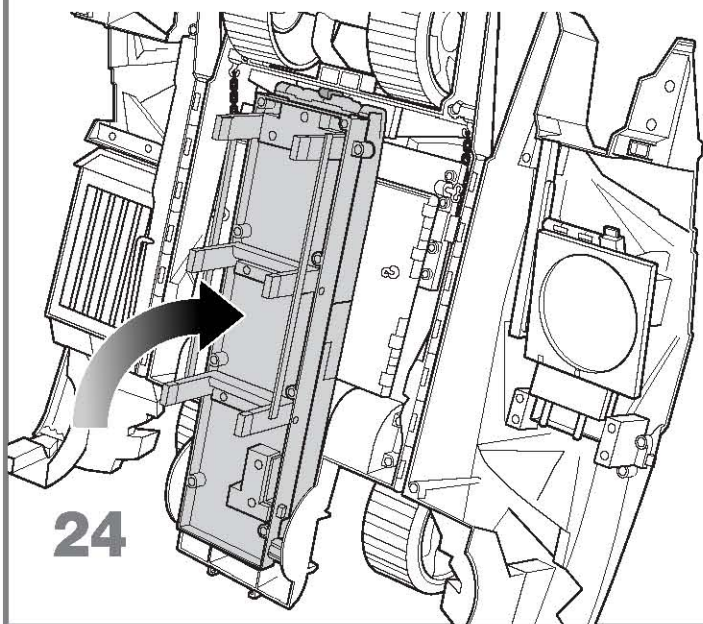
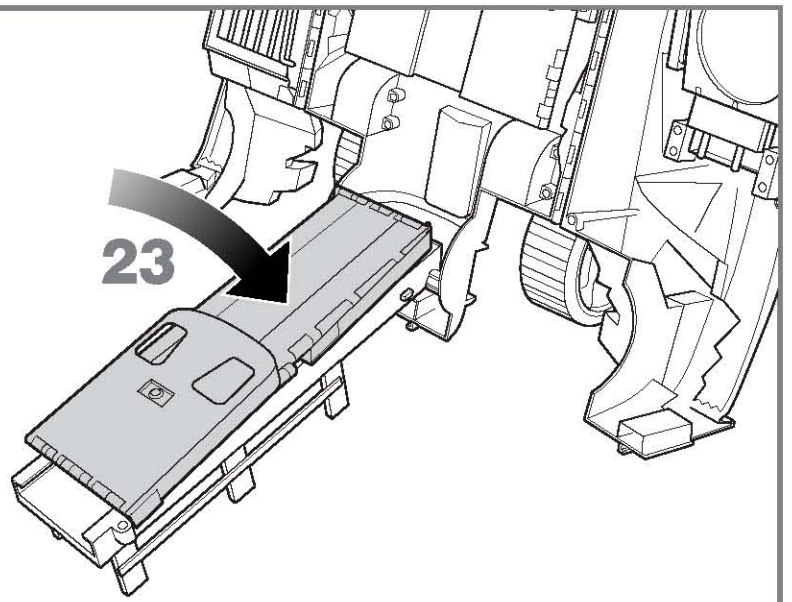
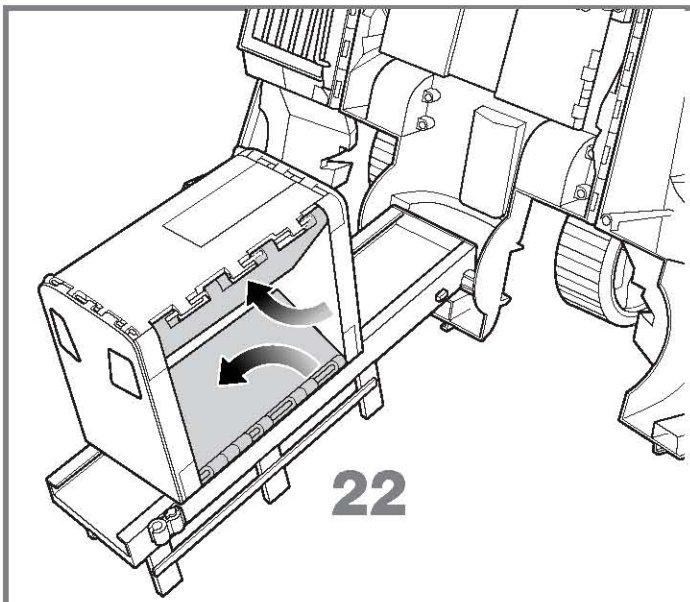


20

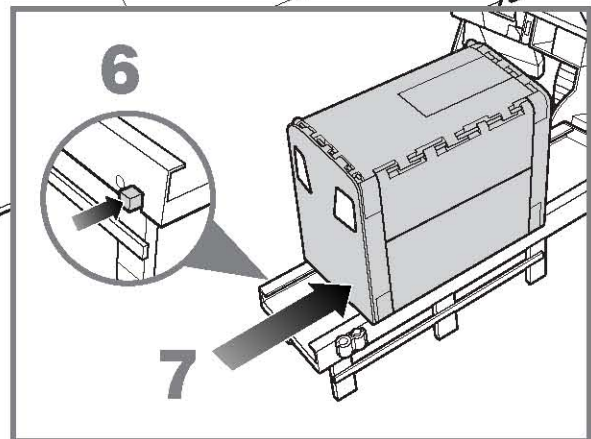
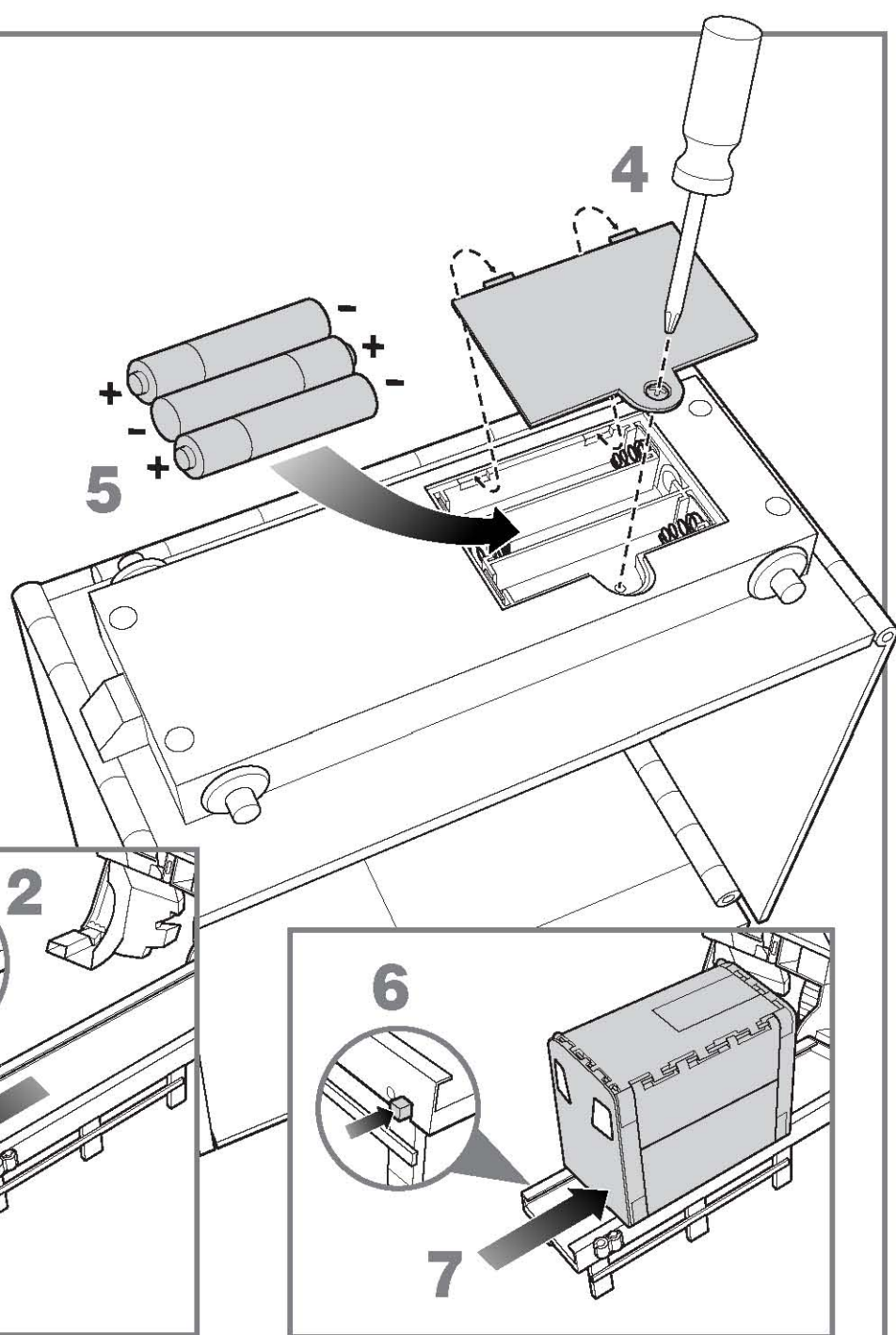
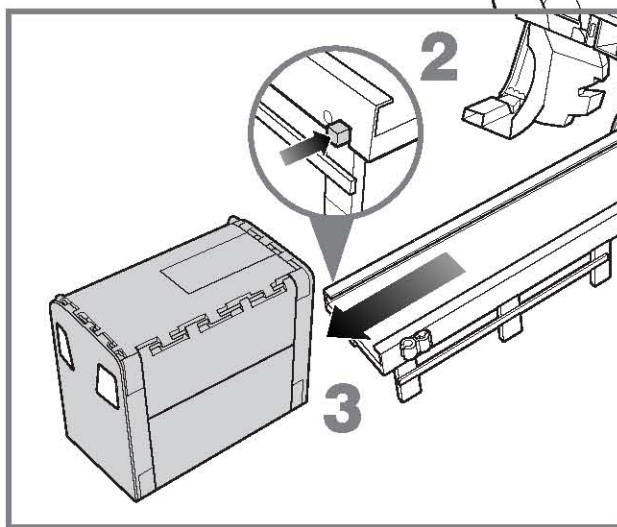
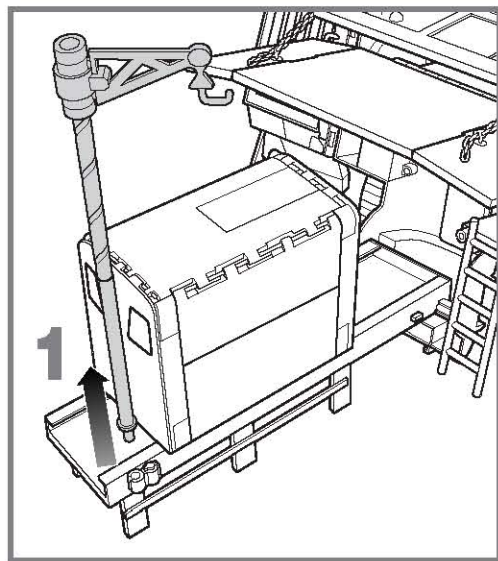


21





BATTERY INSTALLATION / REPLACEMENT



- 1) Remove spiral pole.
- 2) Press and hold button while
- 3) sliding rail car out of track.
- 4) Remove battery cover with Phillips head screwdriver (not included).
- 5) Install 3 new “AAA” batteries in the orientation shown. Replace battery cover and tighten screw. For longer life use only alkaline batteries. If lights and sounds play slowly or distort, replace batteries.
- 6) Press and hold button in while
- 7) sliding rail car into track.
- 8) Install spiral pole.

Battery Safety Information

In exceptional circumstances batteries may leak fluids that can cause a chemical burn injury or ruin your toy (product). To avoid battery leakage:

- Non-rechargeable batteries are not to be recharged.
- Rechargeable batteries are to be removed from the product before being charged (if designed to be removable).
- Rechargeable batteries are only to be charged under adult supervision (if designed to be removable).
- Do not mix alkaline, standard (carbon-zinc), or rechargeable (nickel-cadmium) batteries.
- Do not mix old and new batteries.
- Only batteries of the same or equivalent type as recommended are to be used.
- Batteries are to be inserted with the correct polarity.
- Exhausted batteries are to be removed from the product.
- The supply terminals are not to be short-circuited.
- Dispose of battery(ies) safely.
- Do not dispose of this product in a fire. The batteries

inside may explode or leak.

This equipment has been tested and found to comply with the limits for a Class B digital device, pursuant to part 15 of the FCC rules. These limits are designed to provide reasonable protection against harmful interference in a residential installation. This equipment generates, uses and can radiate radio frequency energy and, if not installed and used in accordance with the instructions, may cause harmful interference to radio communications. However, there is no guarantee that interference will not occur in a particular installation.

If this equipment does cause harmful interference to radio or television reception, which can be determined by turning the equipment off and on, the user is encouraged to try to correct the interference by one or more of the following measures:

Reorient or relocate the receiving antenna.

Increase the separation between the equipment and receiver.

Connect the equipment into an outlet on a circuit

different from that to which the receiver is connected. Consult the dealer or an experienced radio/TV technician for help.

Mattel, Inc.
333 Continental Blvd.
El Segundo, CA
(310) 252-2400

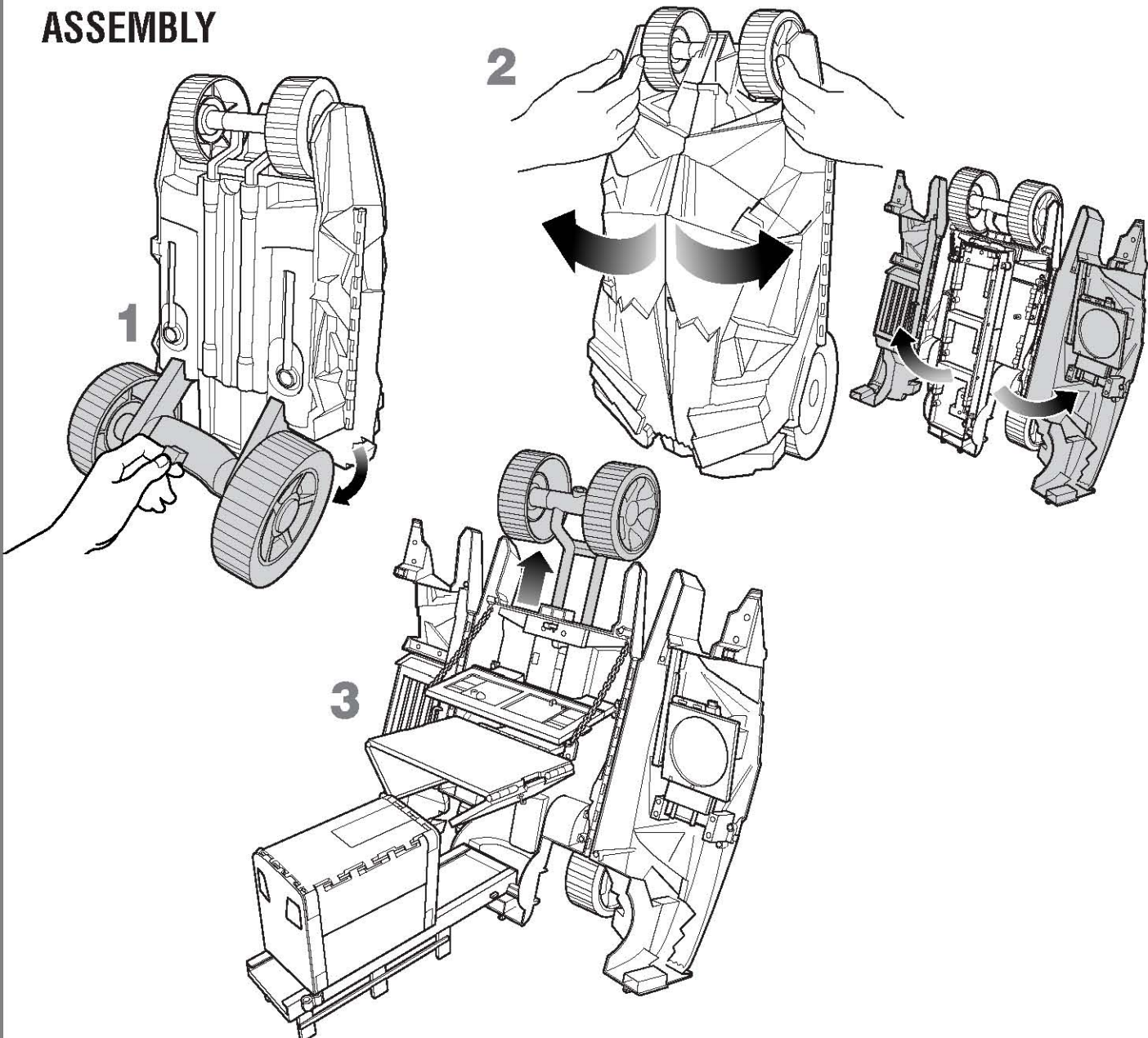
NOTE: Changes or modifications not expressly approved by the manufacturer responsible for compliance could void the user's authority to operate the equipment.

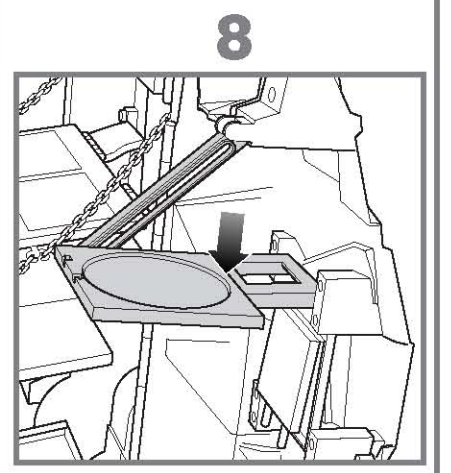
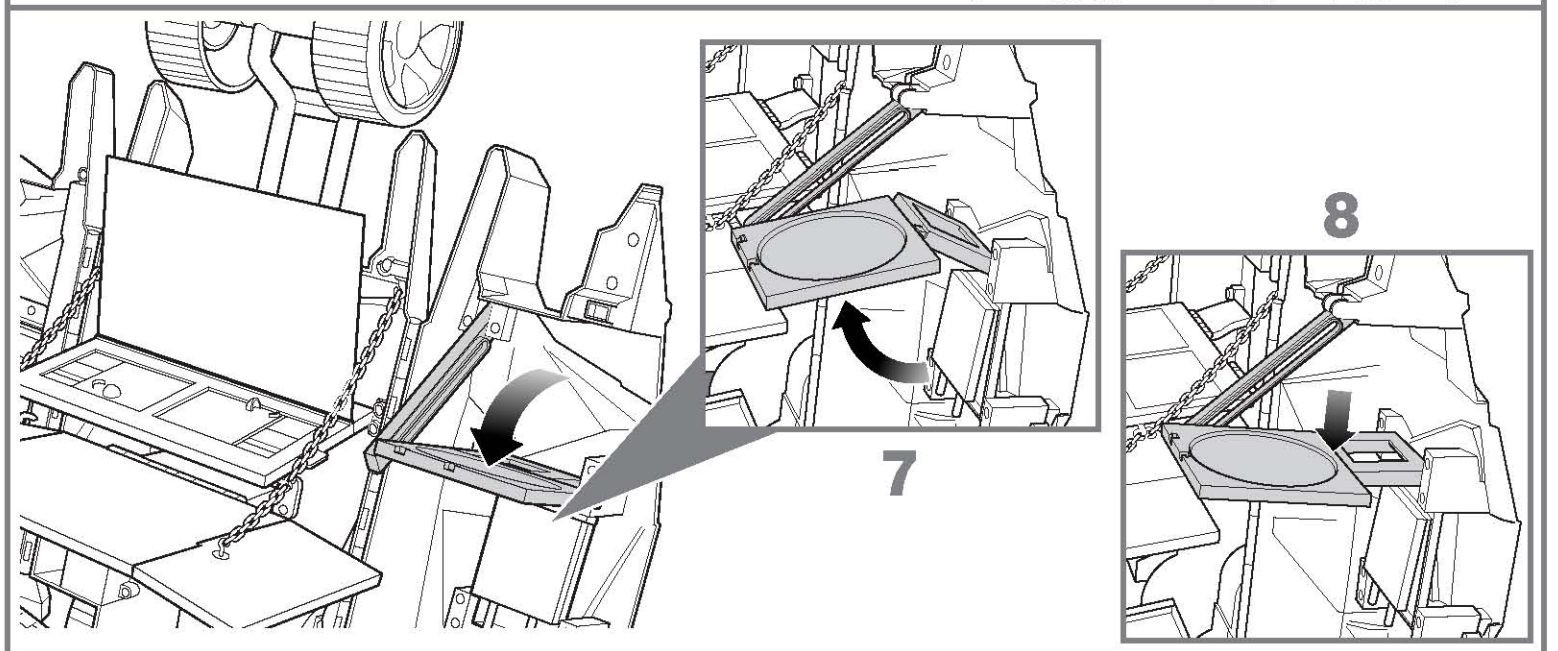
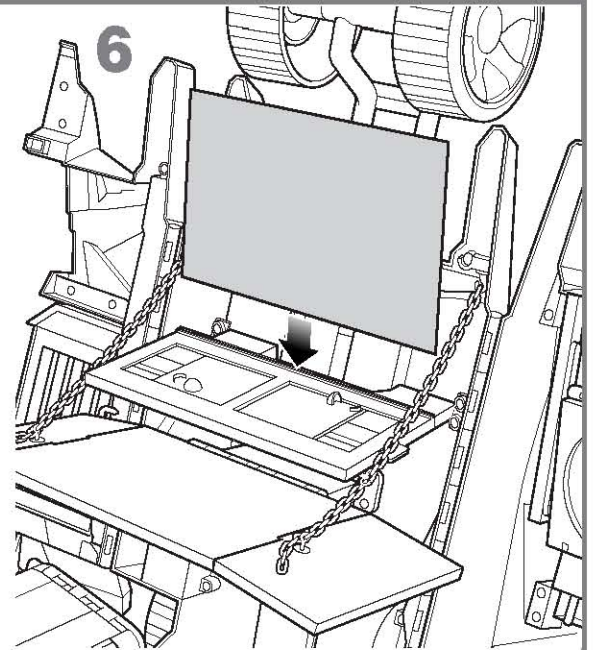
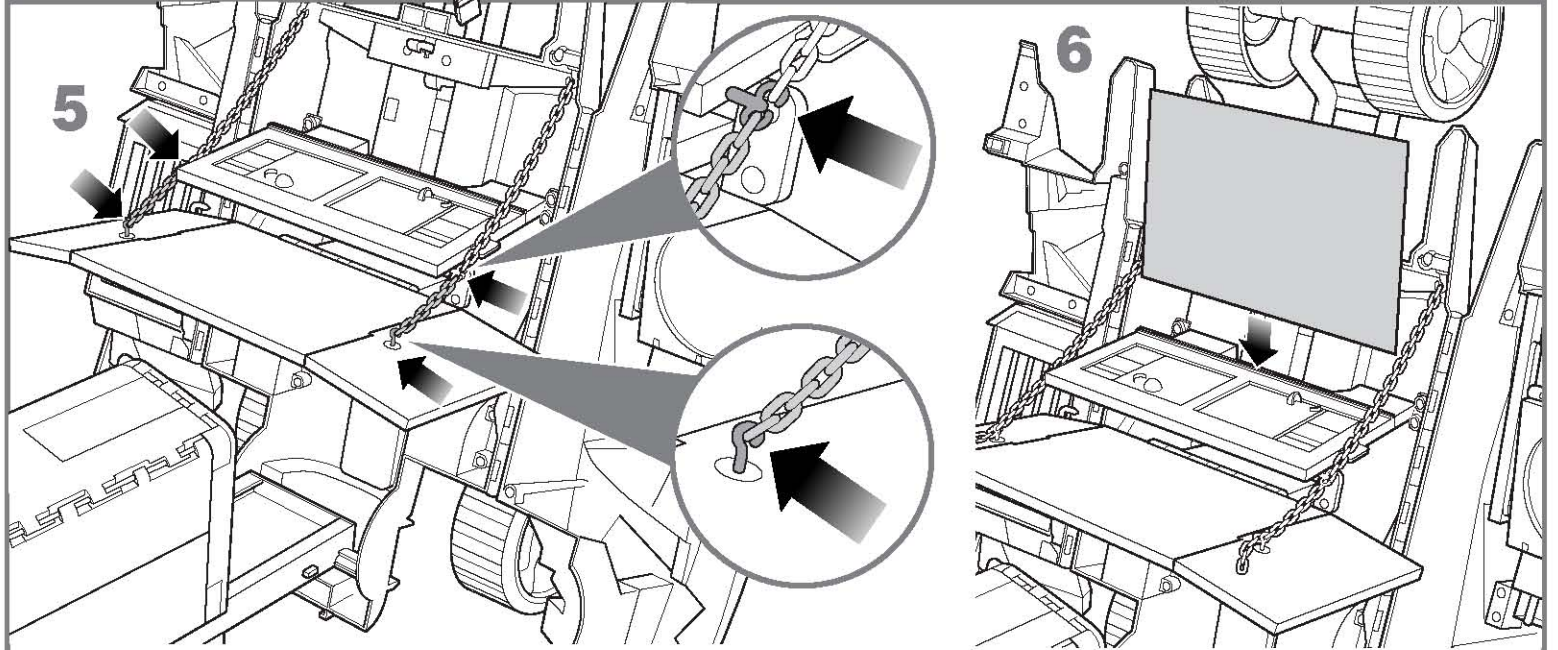
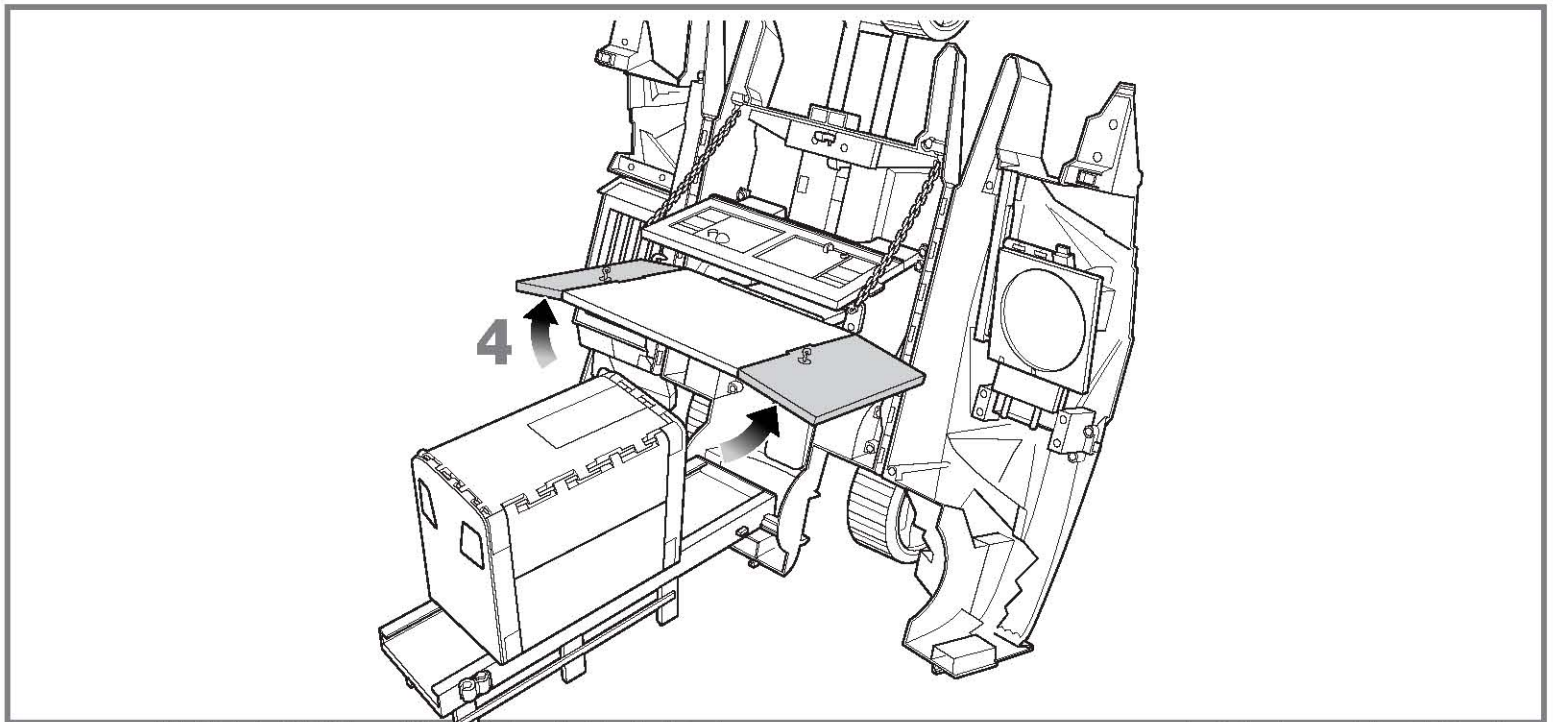
Operation is subject to the following two conditions: (1) this device may not cause interference, and (2) this device must accept any interference, including interference that may cause undesired operation of the device.

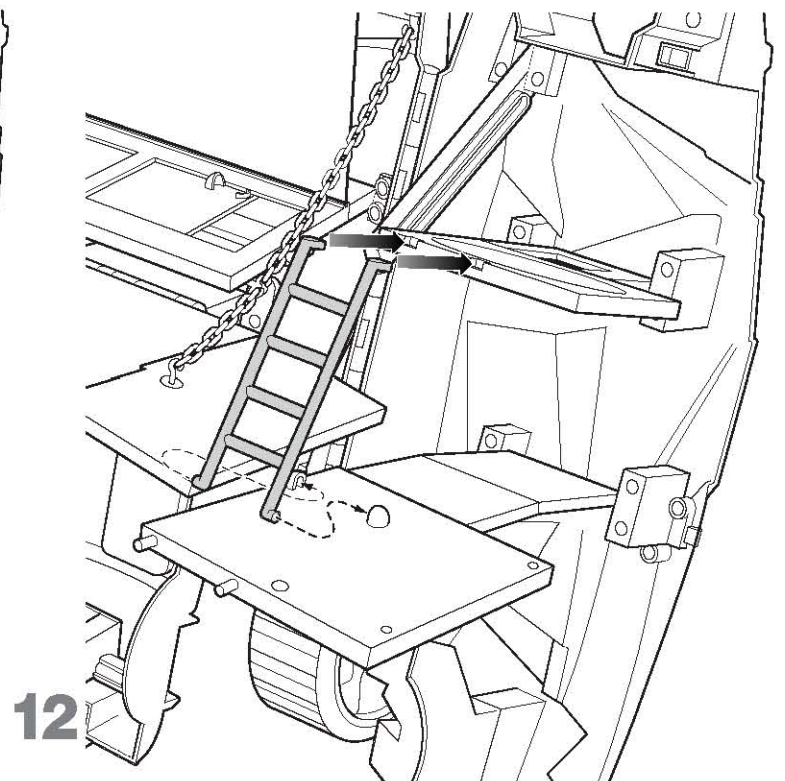
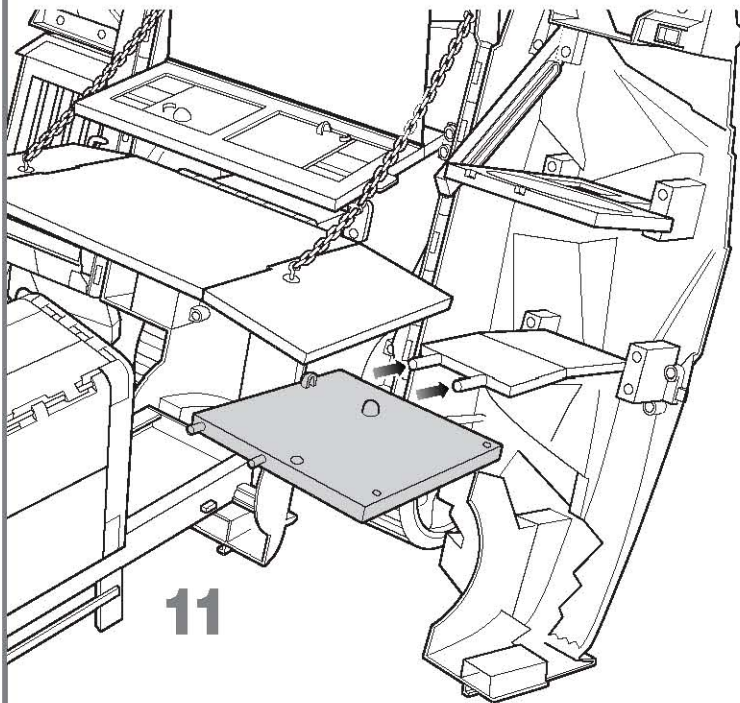
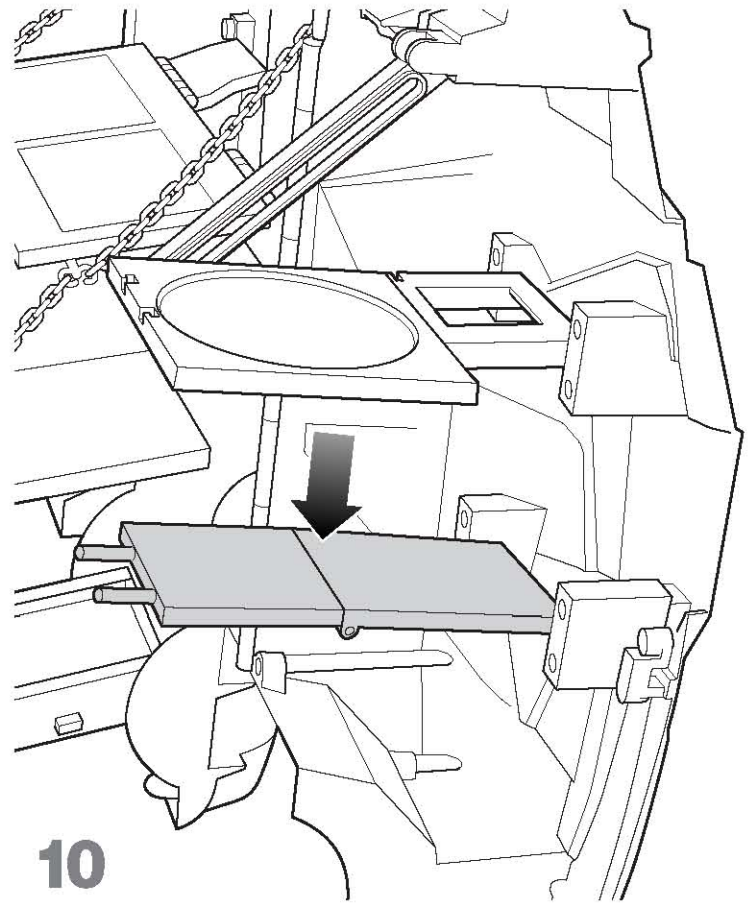
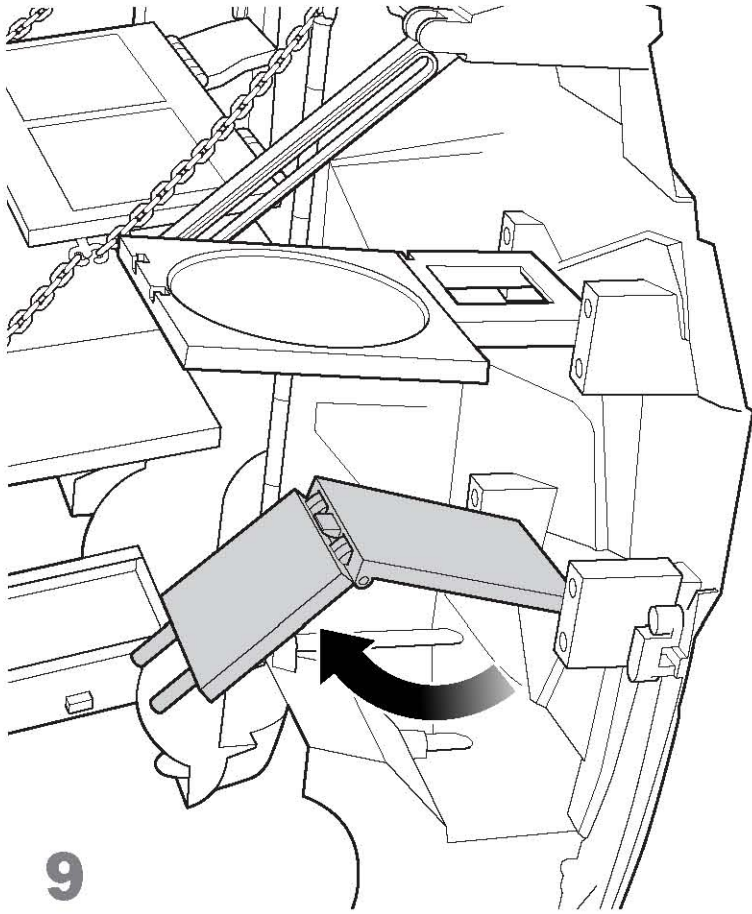
THIS CLASS B DIGITAL APPARATUS COMPLIES WITH CANADIAN ICES-003.

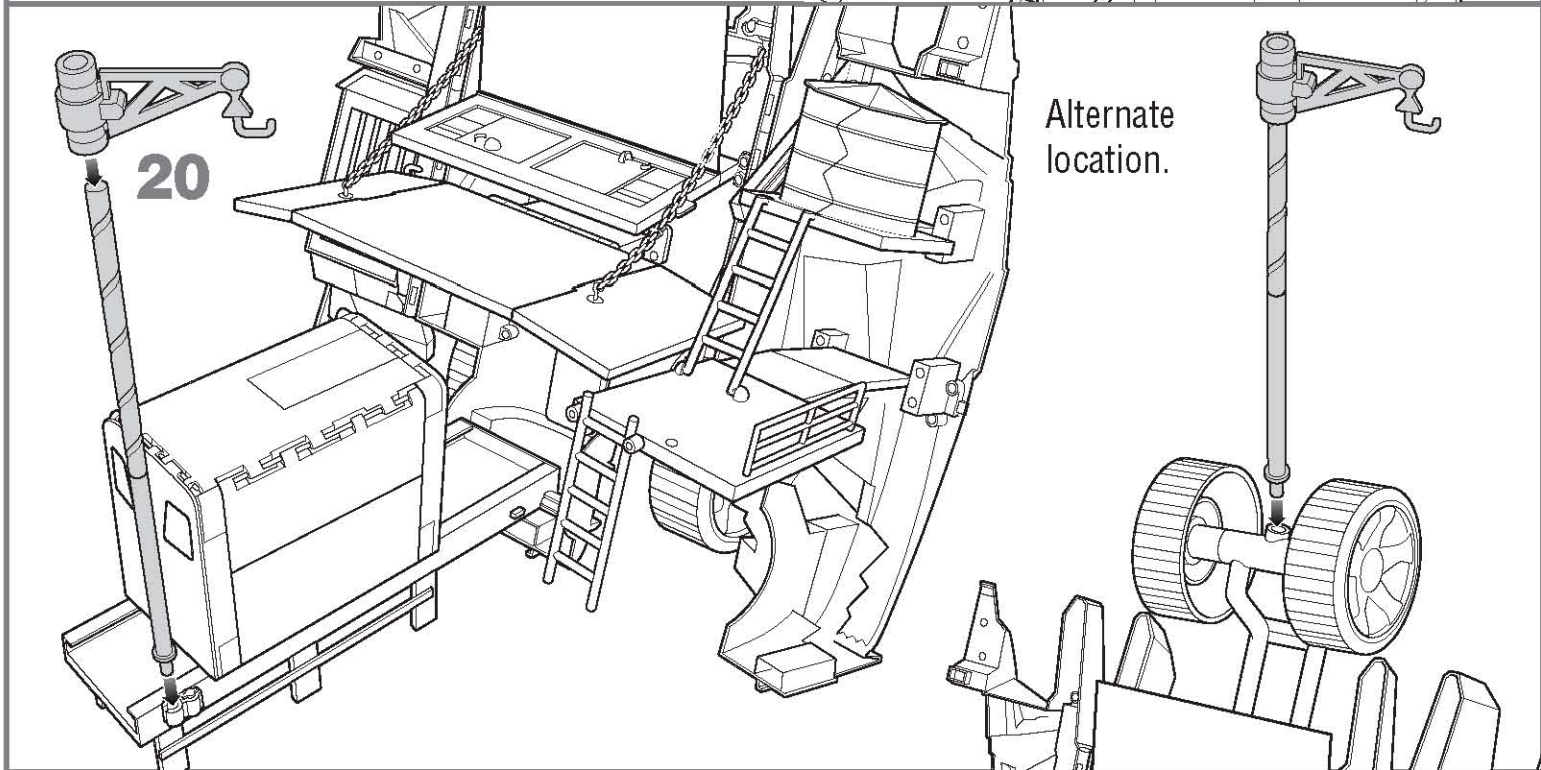
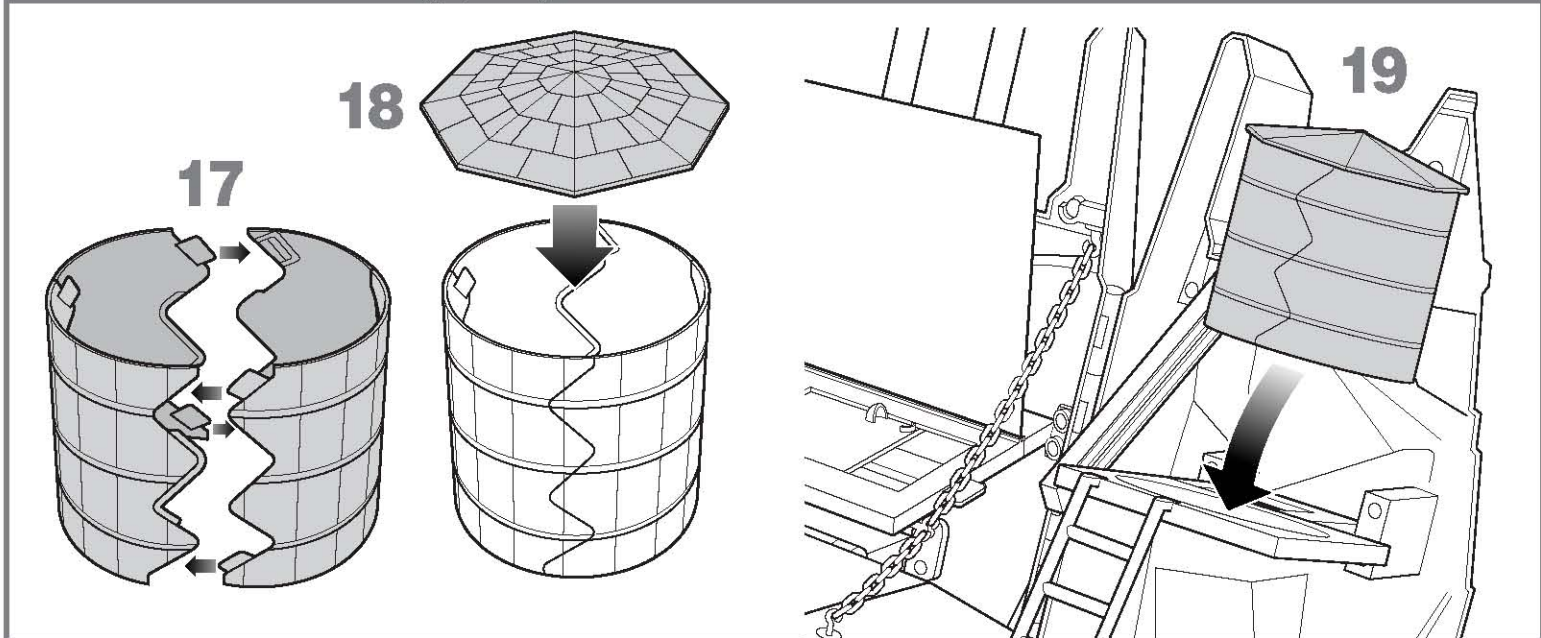
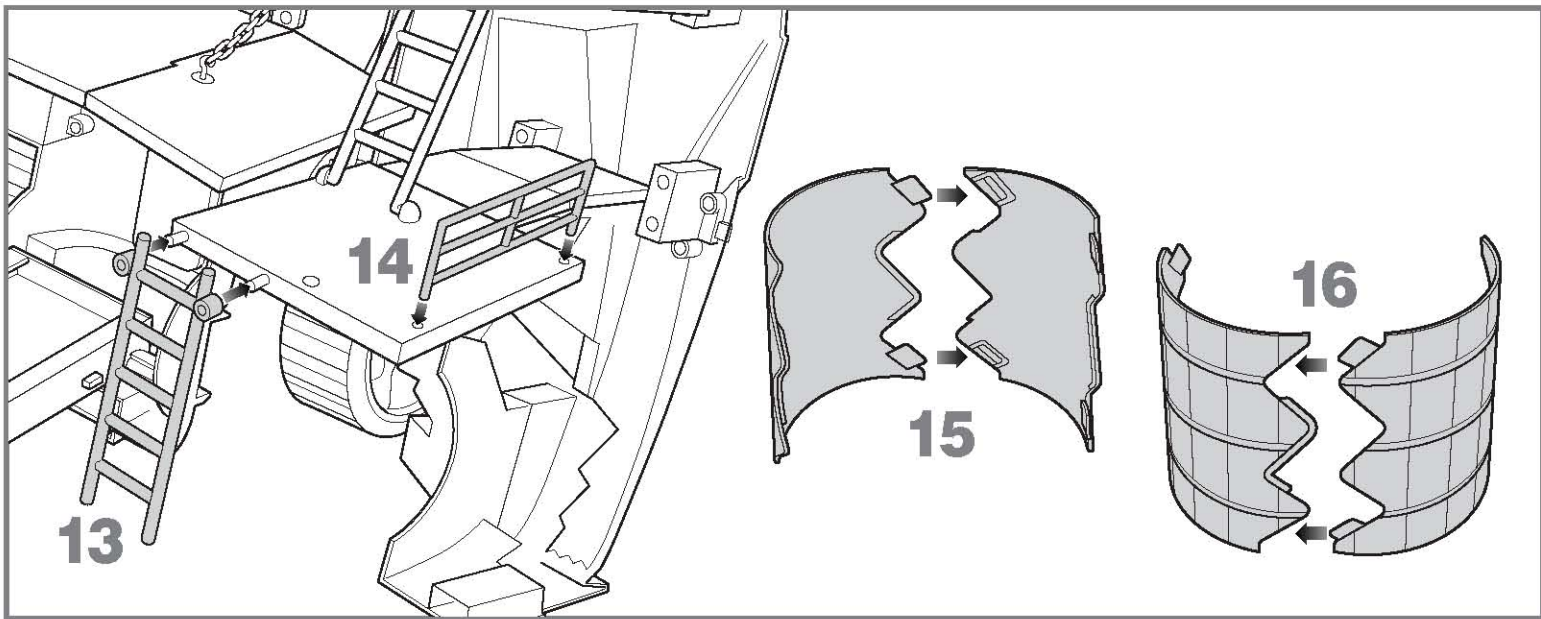
CET APPAREIL NUMERIQUE DE LA CLASSE B EST CONFORME A LA NORME NMB-003 DU CANADA.

ASSEMBLY



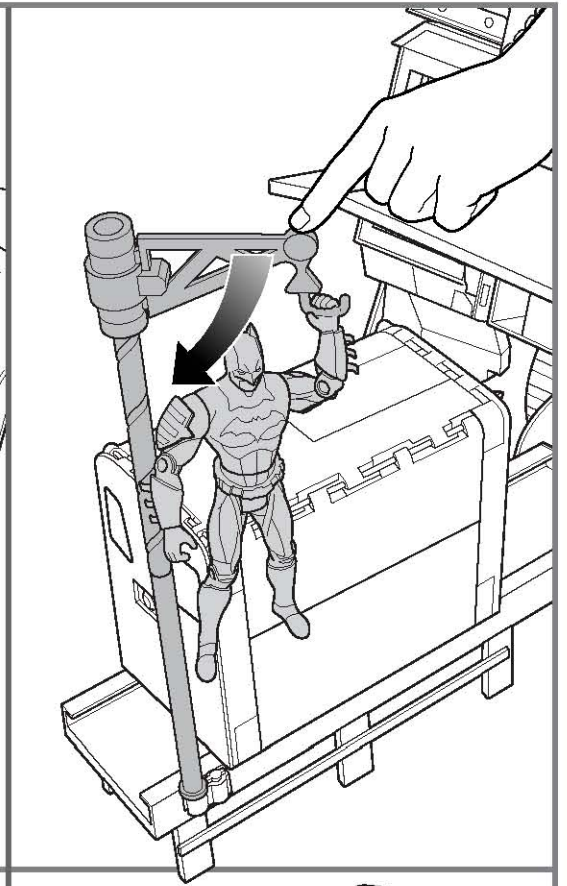
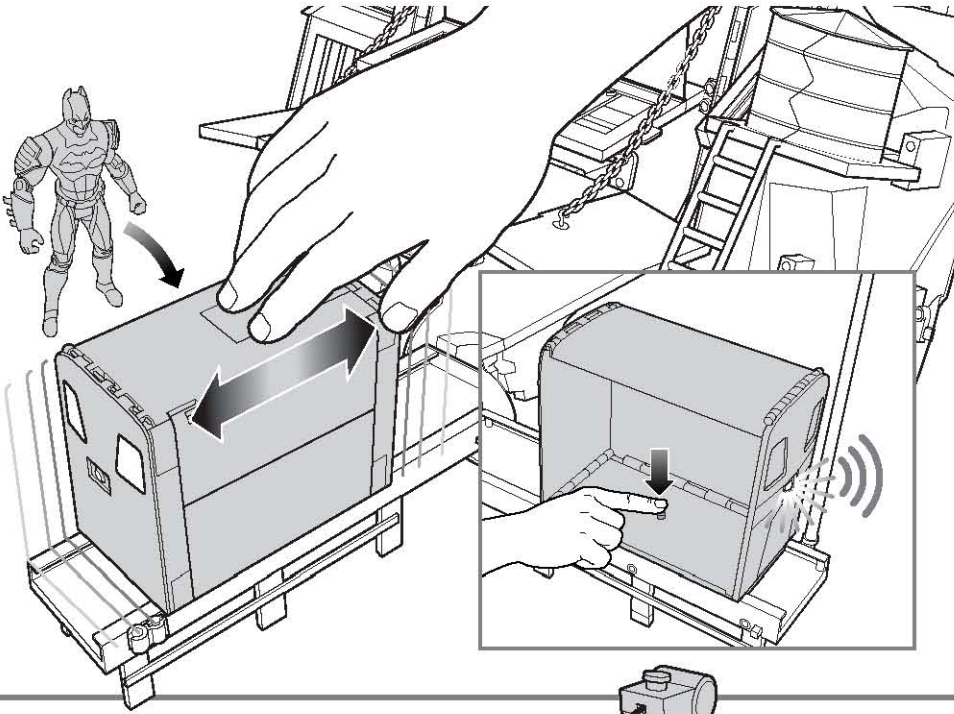




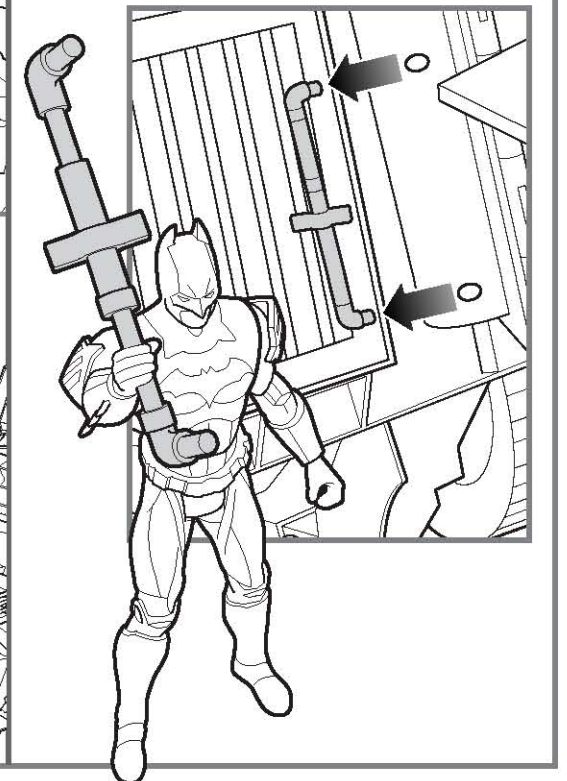
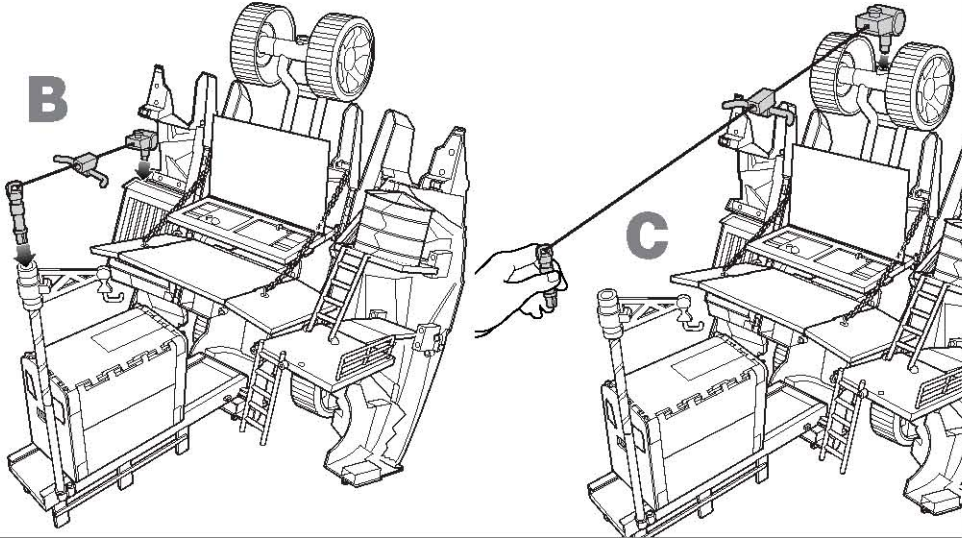
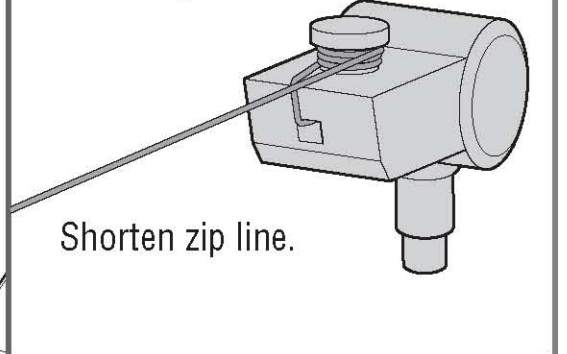
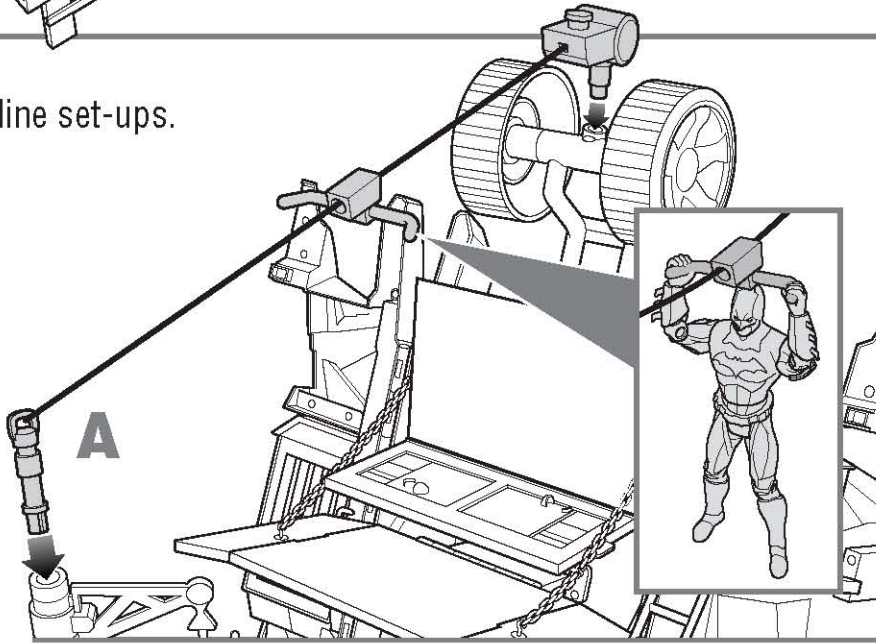


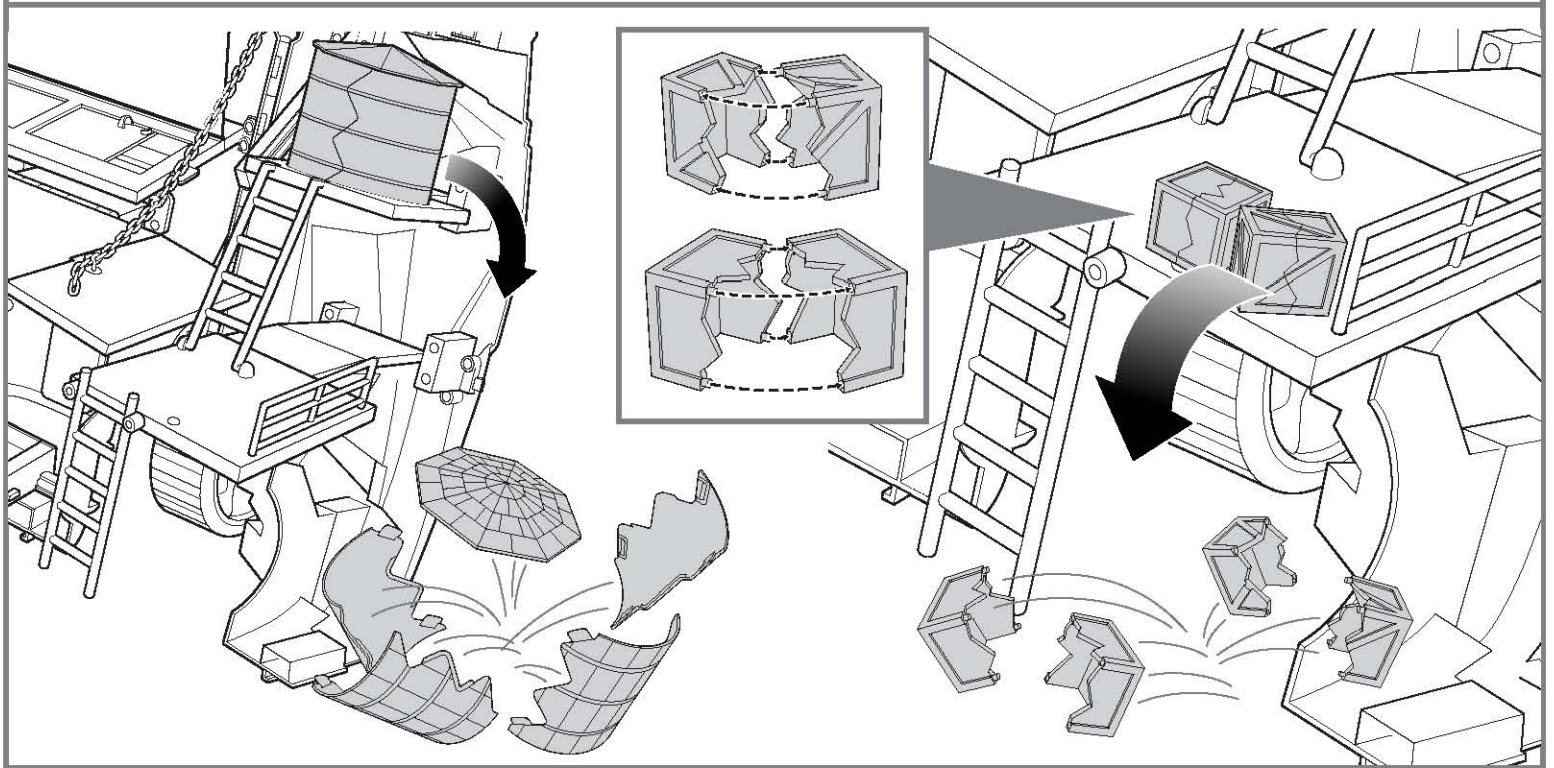
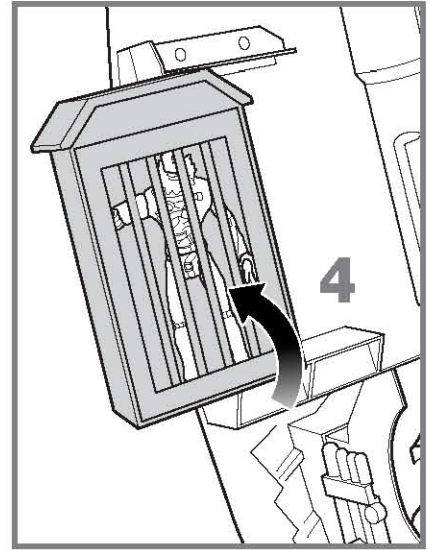
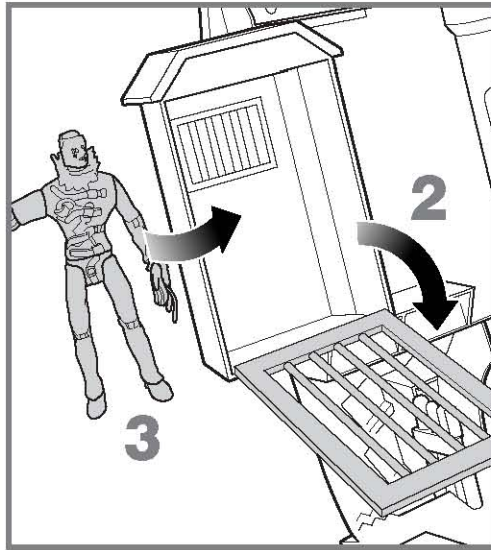
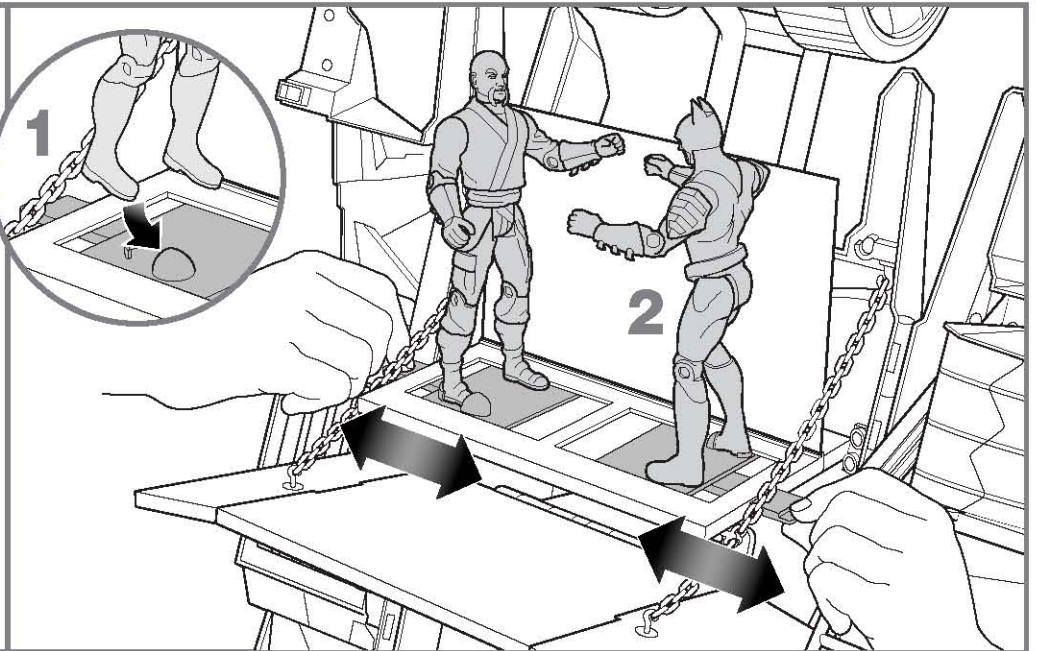
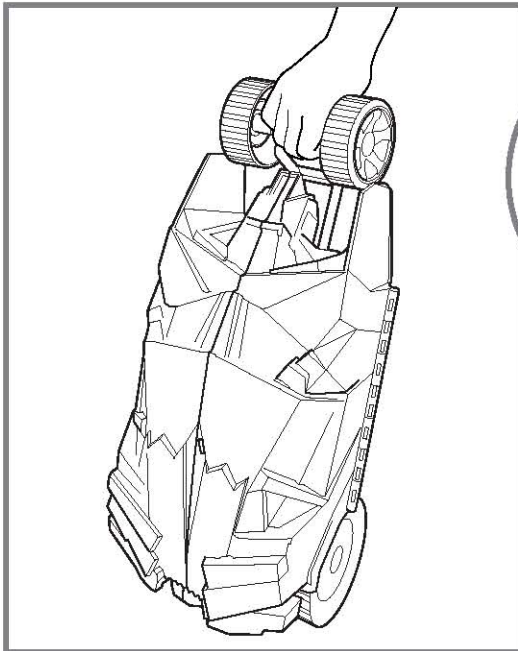
PLAY TIME

Figure shown not included. Figures sold separately.



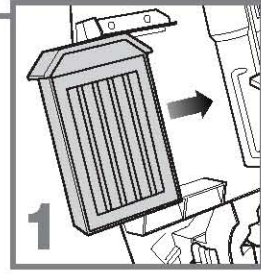
Zip line set-ups.



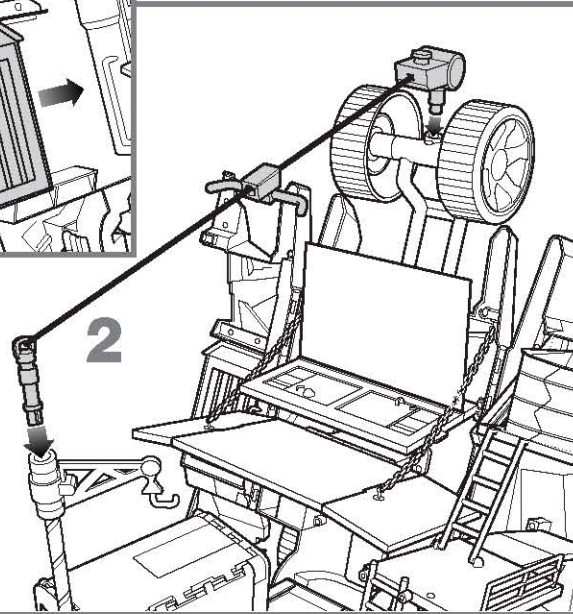


STORAGE

Remove all action figures.
Figures sold separately.

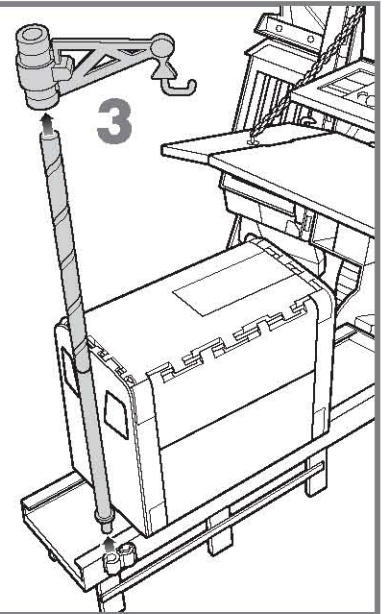


1

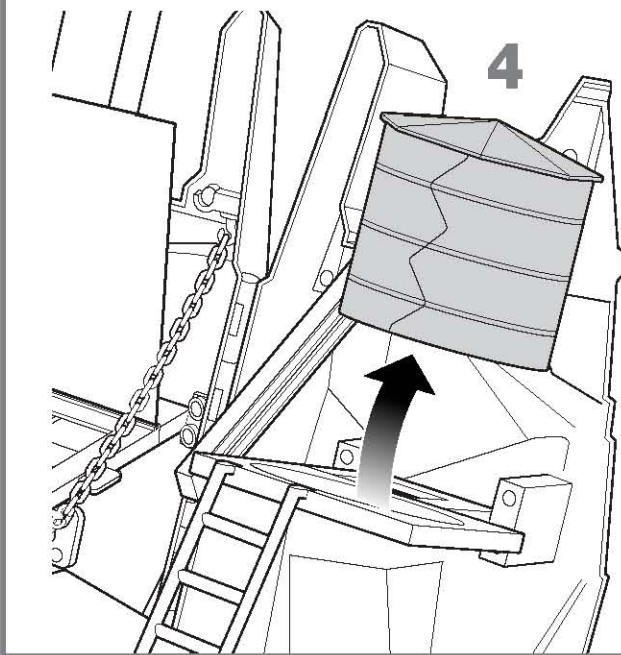


2

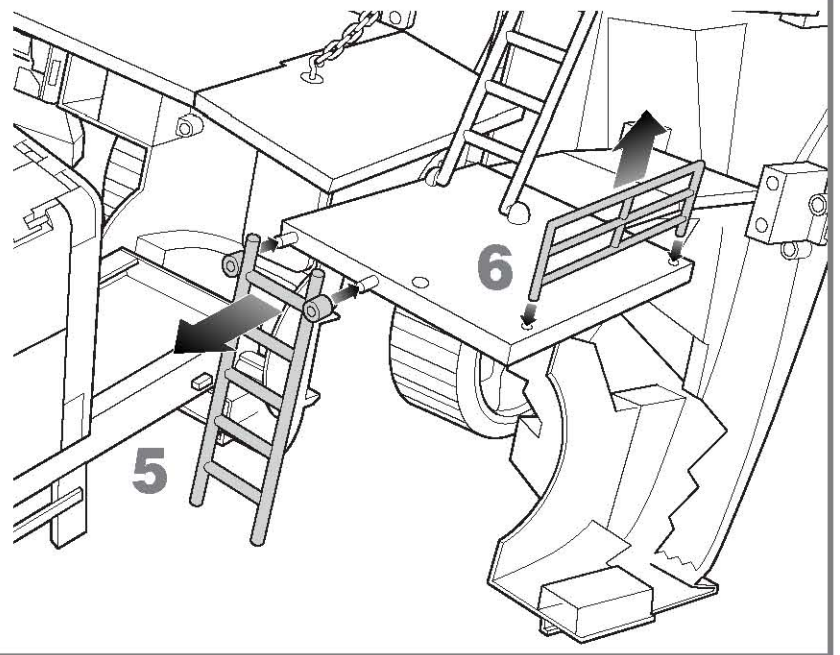
Remove zip line (2).



3

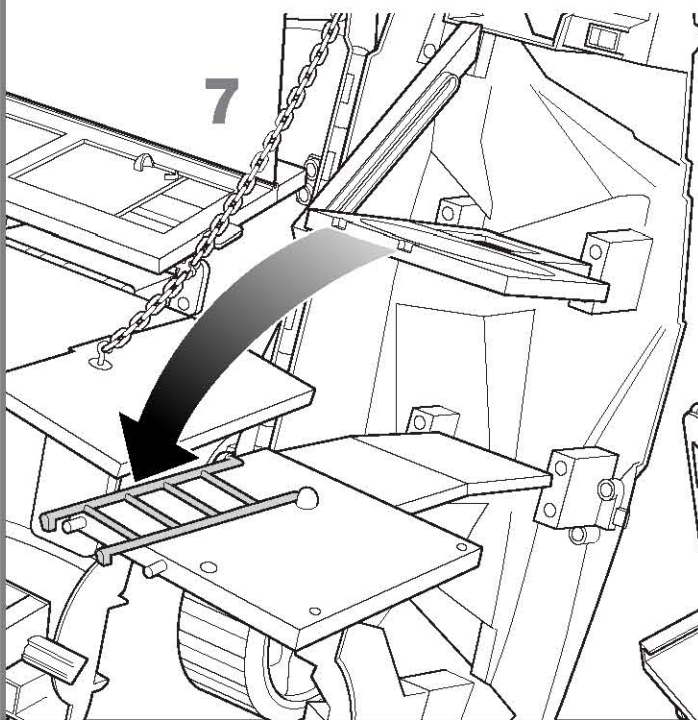


4

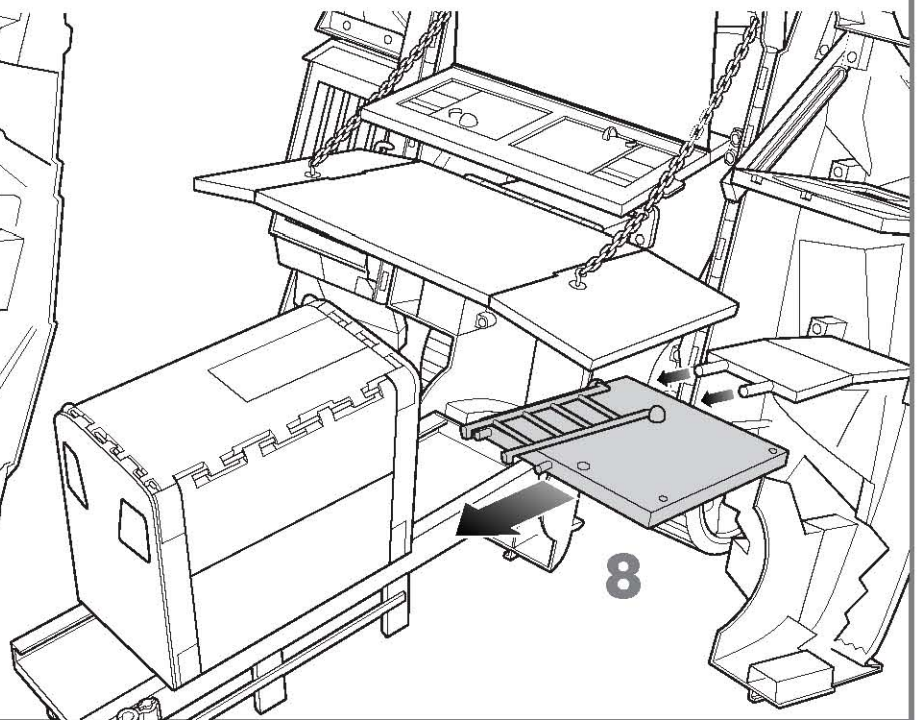


5

6



7



8