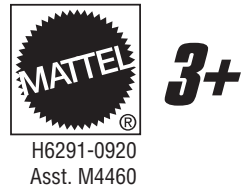


H6291-0920 1L A4 1C+1C



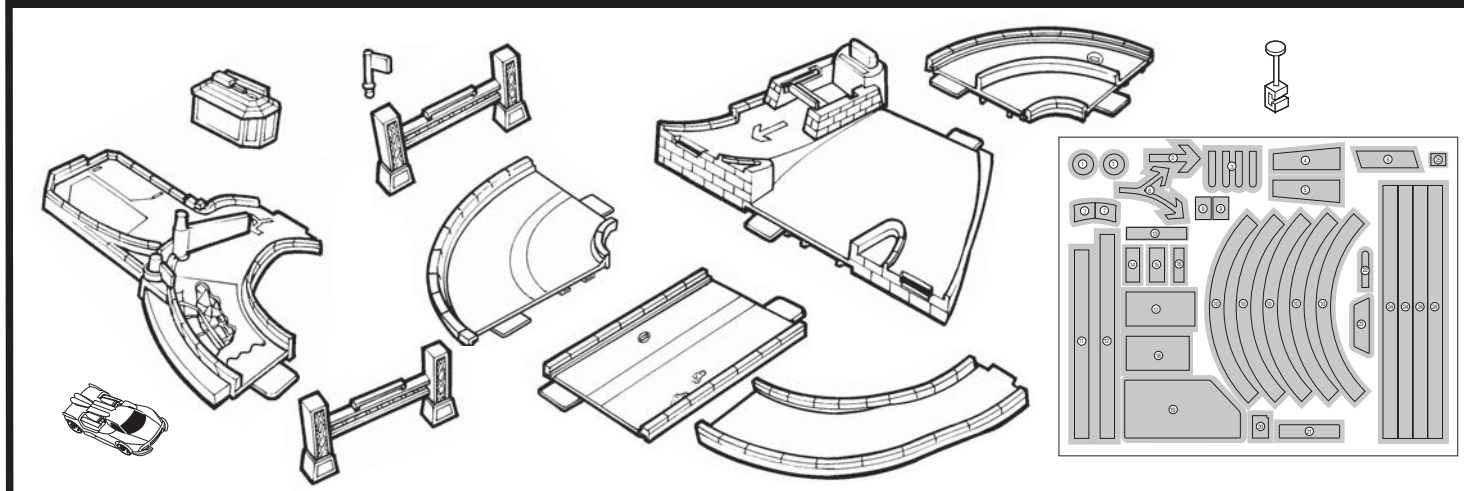
CRASH CURVE™ playset

WARNING:
CHOKING HAZARD - Small parts.
Not for children under 3 years.

INSTRUCTIONS

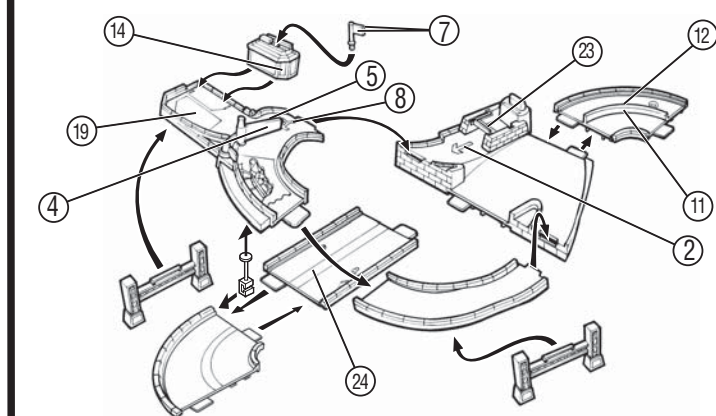
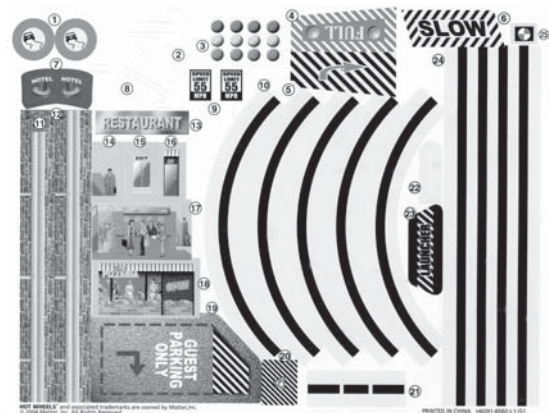
Please keep these instructions for future reference as they contain important information.

CONTENTS

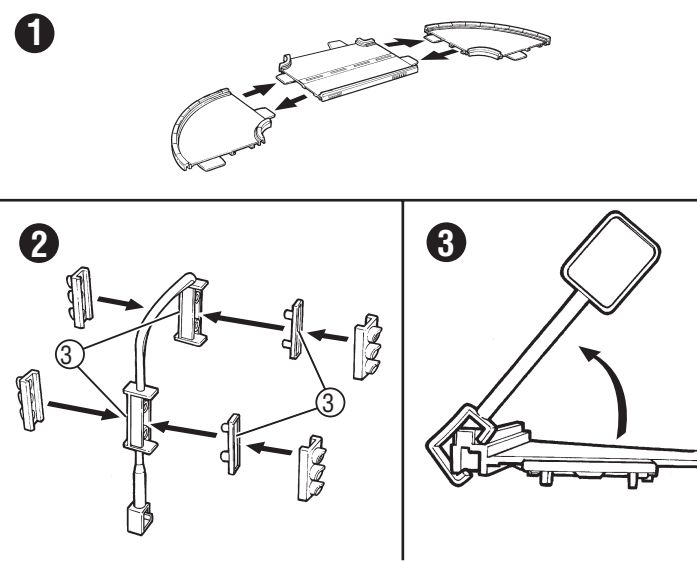


APPLY LABELS

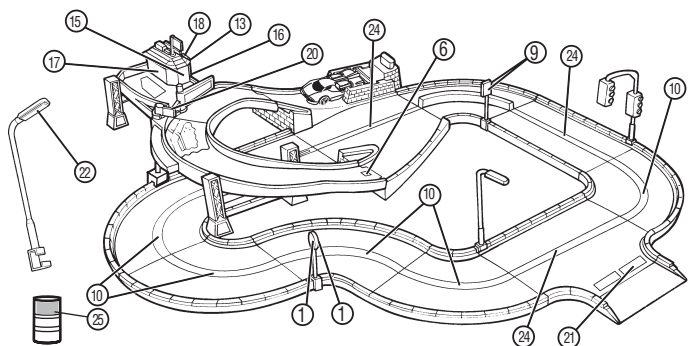
HELPFUL HINT: APPLY LABELS BEFORE ASSEMBLY.



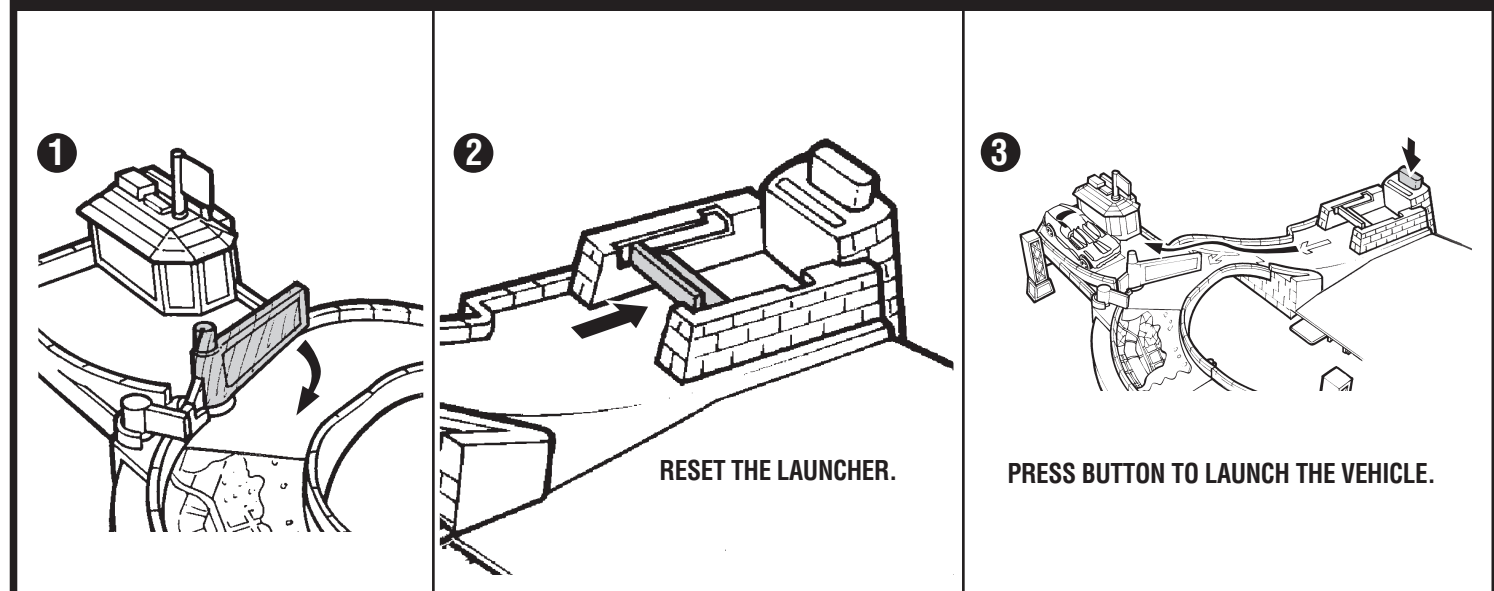
ASSEMBLY



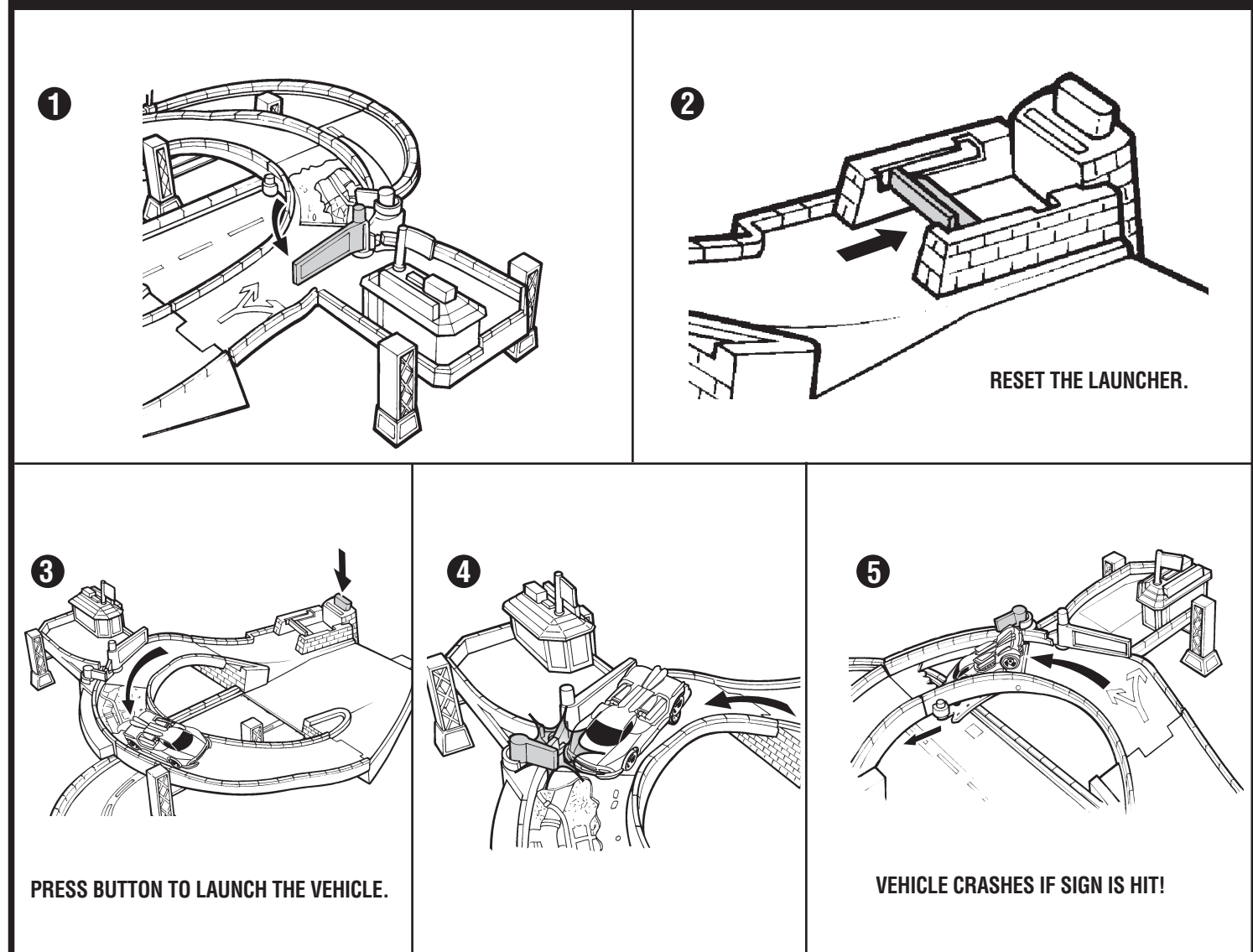
FINAL ASSEMBLY



TO PLAY: RESTAURANT



TO PLAY: CRASH CURVE



© 2007 Mattel, Inc. All Rights Reserved. Mattel, Inc. 333 Continental Blvd., El Segundo, CA 90245 U.S.A. Consumer Relations 1 (800) 524-8697 service.mattel.com • Mattel Canada Inc., Mississauga, Ontario L5R 3W2. You may call us free at 1-800-524-8697. • Mattel U.K. Ltd., Vanwall Business Park, Maidenhead SL6 4UB, Helpline 01628500303 • Mattel Australia Pty Ltd., Richmond, Victoria. 3121. Consumer Advisory Service - 1300 135 312. • Mattel East Asia Ltd., Room 1106, South Tower, World Finance Centre, Harbour City, Tsimshatsui, HK, China. • Diimport & Diedarkan Oleh: Mattel SEA Ptd Ltd.(993532-P) Lot 13.5, Menara Lien Hoe, Persiaran Tropicana Golf Country Resort, 47410 PJ. Tel:03-78803817, Fax:03-78803867.