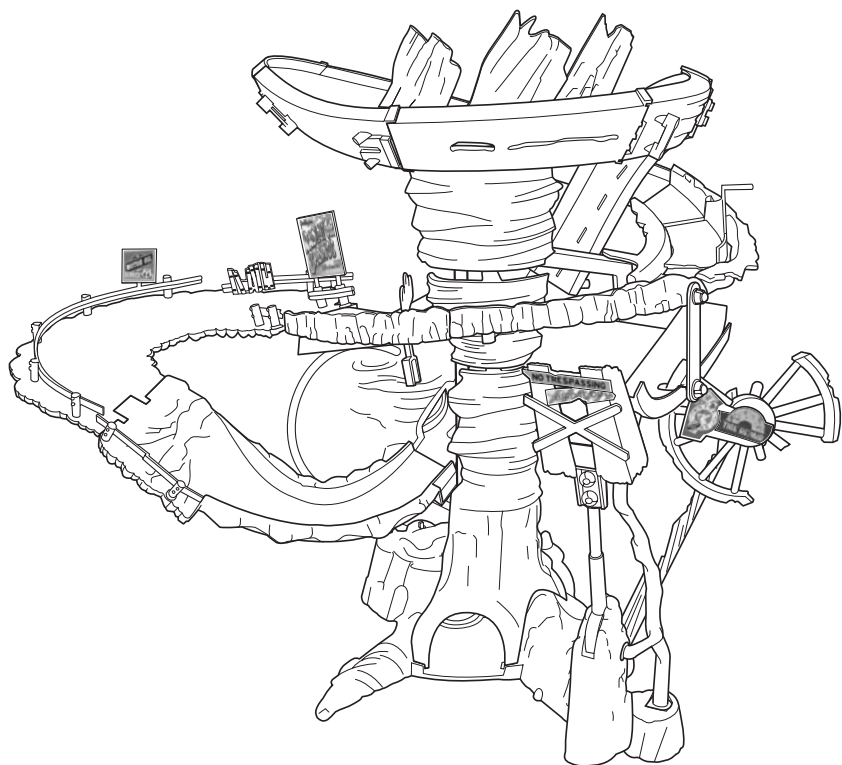


Battery Safety Information

In exceptional circumstances batteries may leak fluids that can cause a chemical burn injury or ruin your product. To avoid battery leakage:

- Non-rechargeable batteries are not to be recharged.
- Rechargeable batteries are to be removed from the product before being charged (if designed to be removable).
- Rechargeable batteries are only to be charged under adult supervision (if designed to be removable).
- Do not mix alkaline, standard (carbon-zinc), or rechargeable (nickel-cadmium) batteries.
- Do not mix old and new batteries.
- Only batteries of the same or equivalent type as recommended are to be used.
- Batteries are to be inserted with the correct polarity.
- Exhausted batteries are to be removed from the product.
- The supply terminals are not to be short-circuited.
- Dispose of battery(ies) safely.
- Do not dispose of this product in a fire. The batteries inside may explode or leak.



Mattel Canada Inc., Mississauga, Ontario L5R 3W2. You may call us free at 1 (800) 524-8697. • Mattel U.K. Ltd., Vanwall Business Park, Maidenhead SL6 4UB. Helpline 01628500303 • Mattel Australia Pty., Ltd., Richmond, Victoria. 3121. Consumer Advisory Service - 1300 135 312. • Mattel East Asia Ltd., Room 1106, South Tower, World Finance Centre, Harbour City, Tsimshatsui, HK, China. • Diimport & Diedarkan Oleh: Mattel SEA Ptd Ltd. (993532-P) Lot 13.5, 13th Floor, Menara Lien Hoe, Persiaran Tropicana Golf Country Resort, 47410 PJ. Tel: 03-78803817, Fax: 03-78803867.



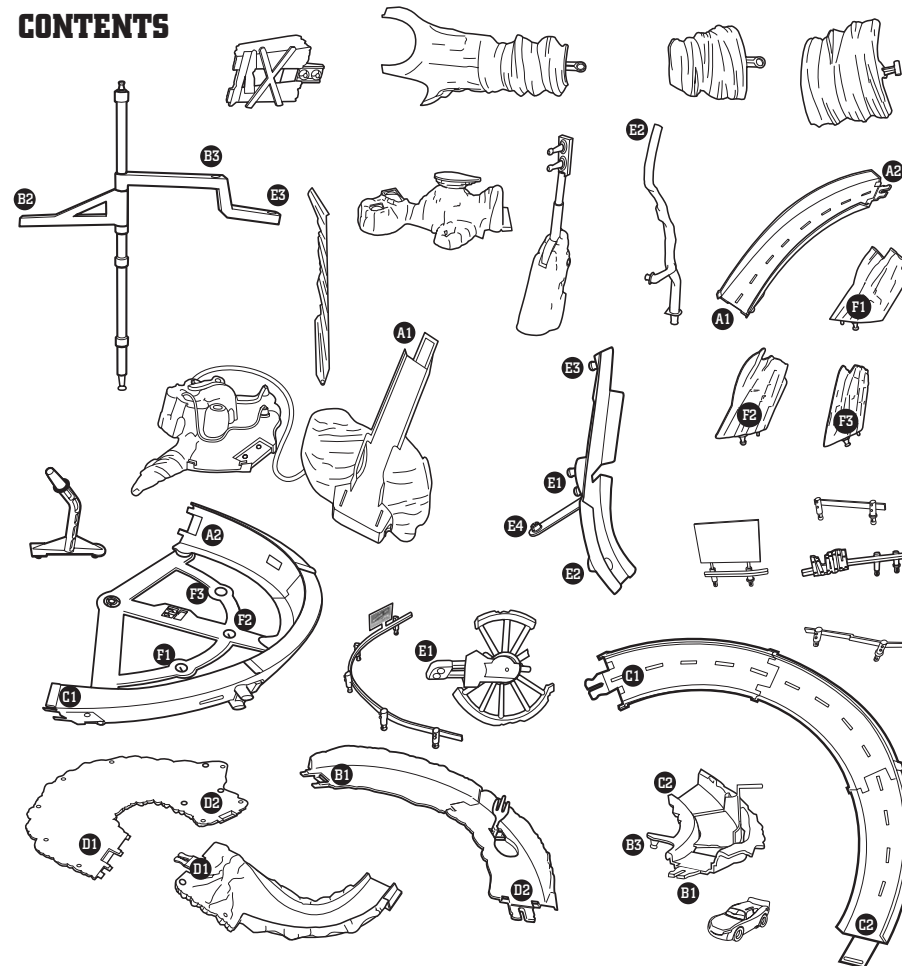
H6424-0920



INSTRUCTIONS

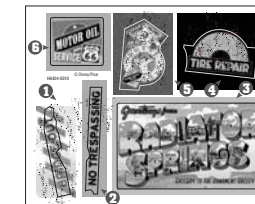
Please keep these instructions for future reference as they contain important information.

CONTENTS



- Requires 2 "D" (LR20) alkaline batteries (not included).

© Disney/Pixar.

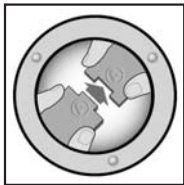
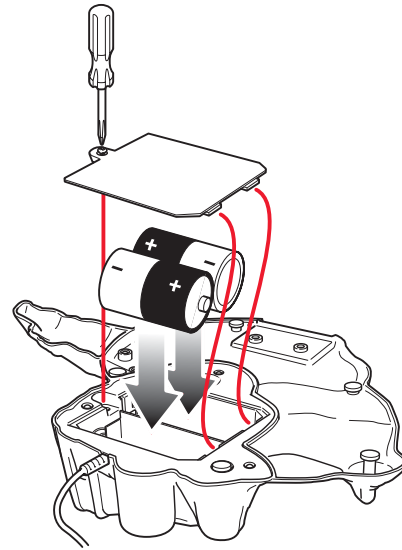


INSTRUCTION SHEET SPECIFICATIONS

Toy: CARS MTN SPRINGS
Toy No.: H6424
Part No.: 0920
Trim Size: 11"W x 8.5" H
Folded Size: 5.5"W x 8.5" H
Type of Fold: One
colors: Two
Colors: PMS485 + Black
Paper Stock: White Offset
Paper Weight: 70 lb.
EDM No.: 005

BATTERY INSTALLATION

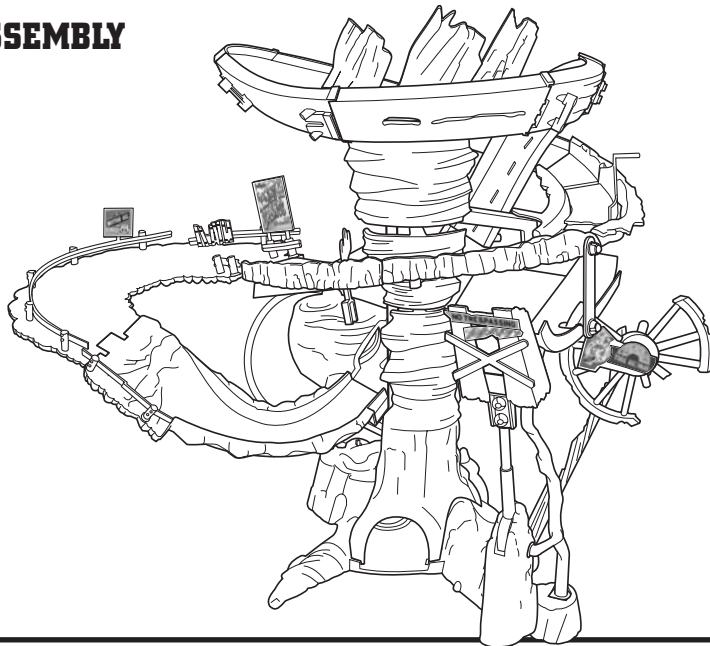
- Open battery cover with a Phillips head screwdriver (not included). Insert 2 "D" size alkaline batteries (not included) in the orientation shown. Replace cover and tighten screw. For best performance, use alkaline batteries. When booster is unable to propel vehicles through the set, replace the batteries.



- Refer to numbers on parts and contents page to help with assembly.

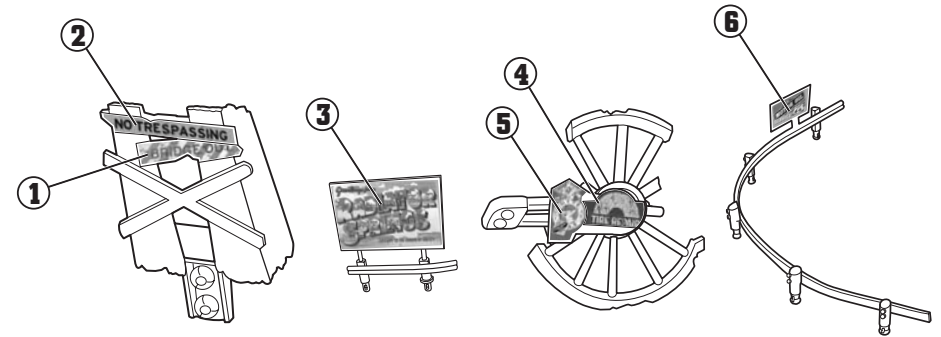
SAFETY NOTE: Do not launch cars until toy is completely assembled.

FINAL ASSEMBLY

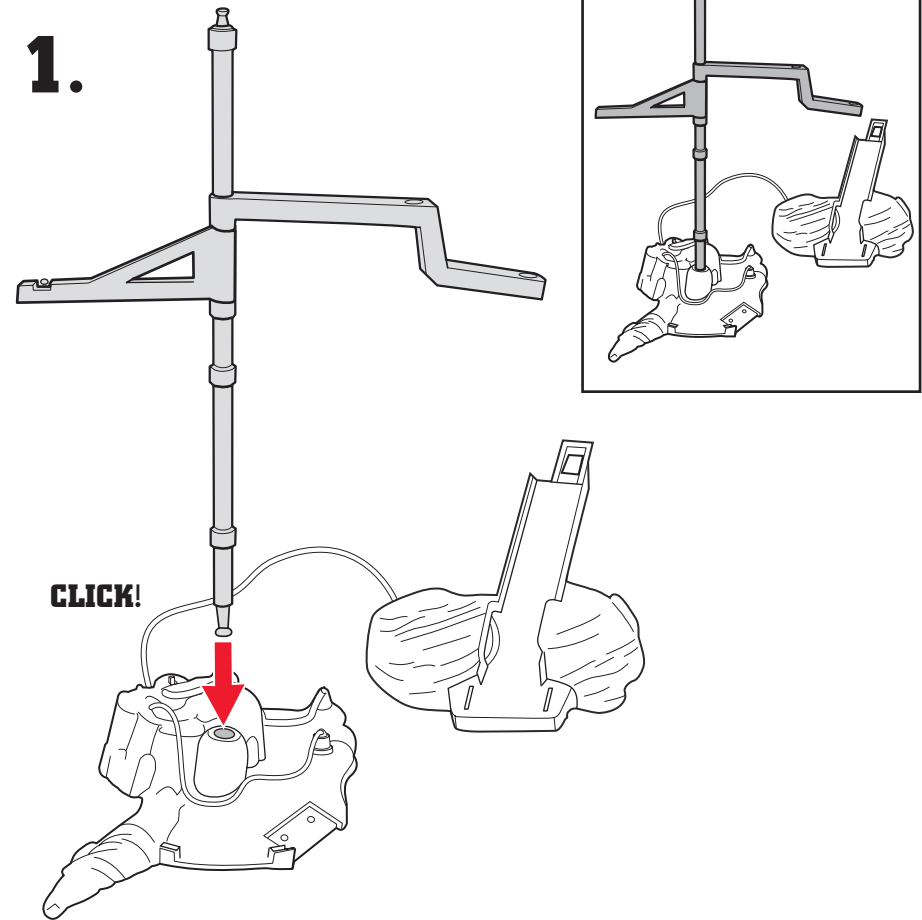


• APPLY LABELS BY NUMBER AS INDICATED.

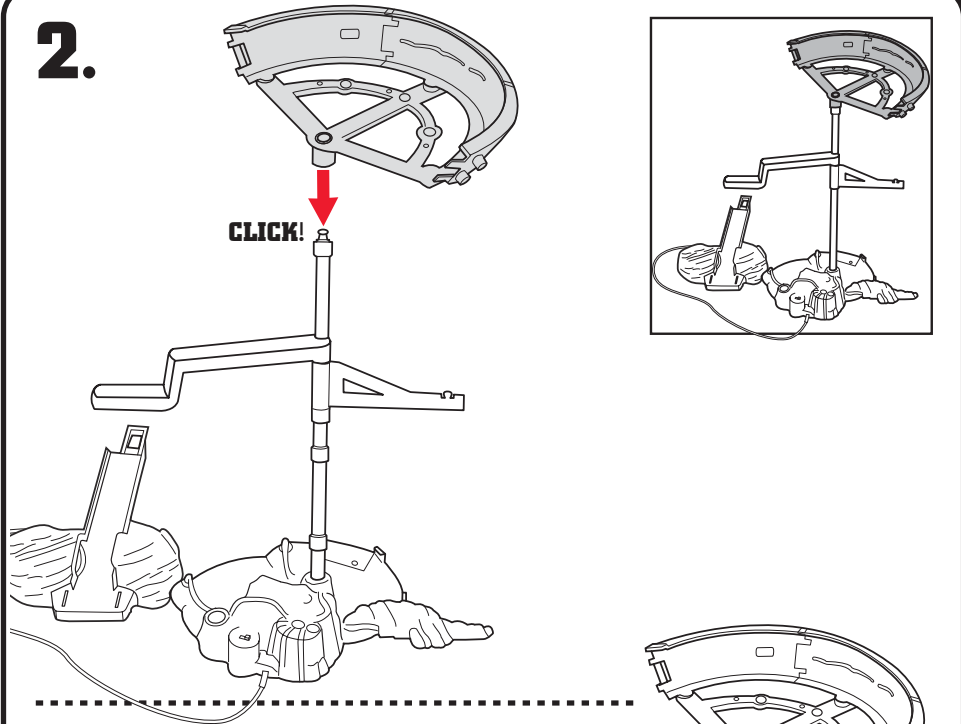
- HELPFUL HINT: APPLY LABELS BEFORE ASSEMBLY.



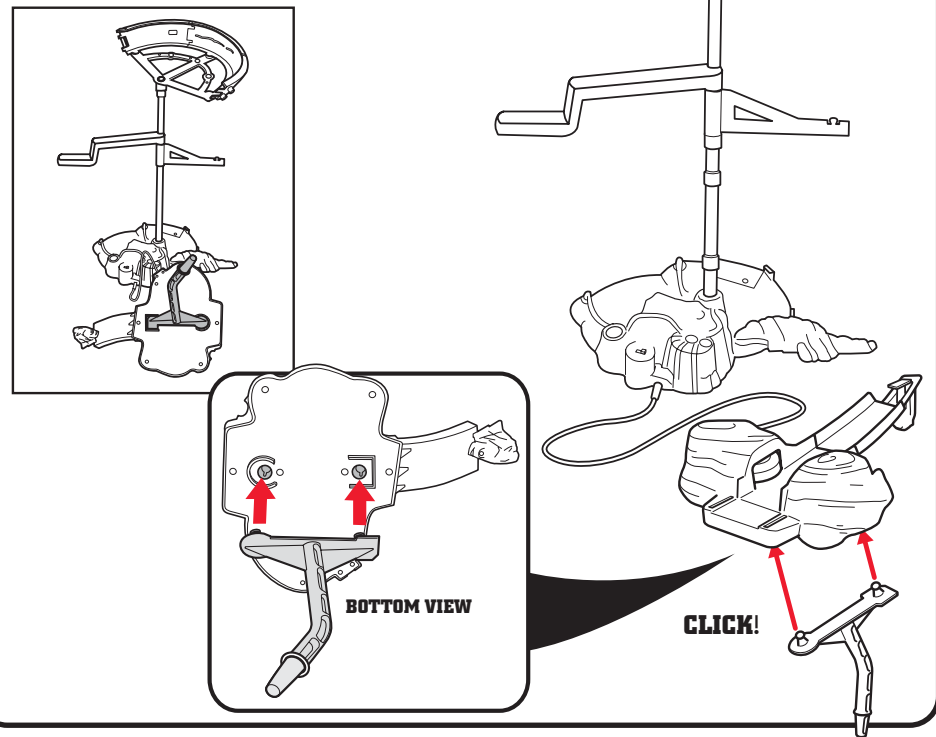
ASSEMBLY



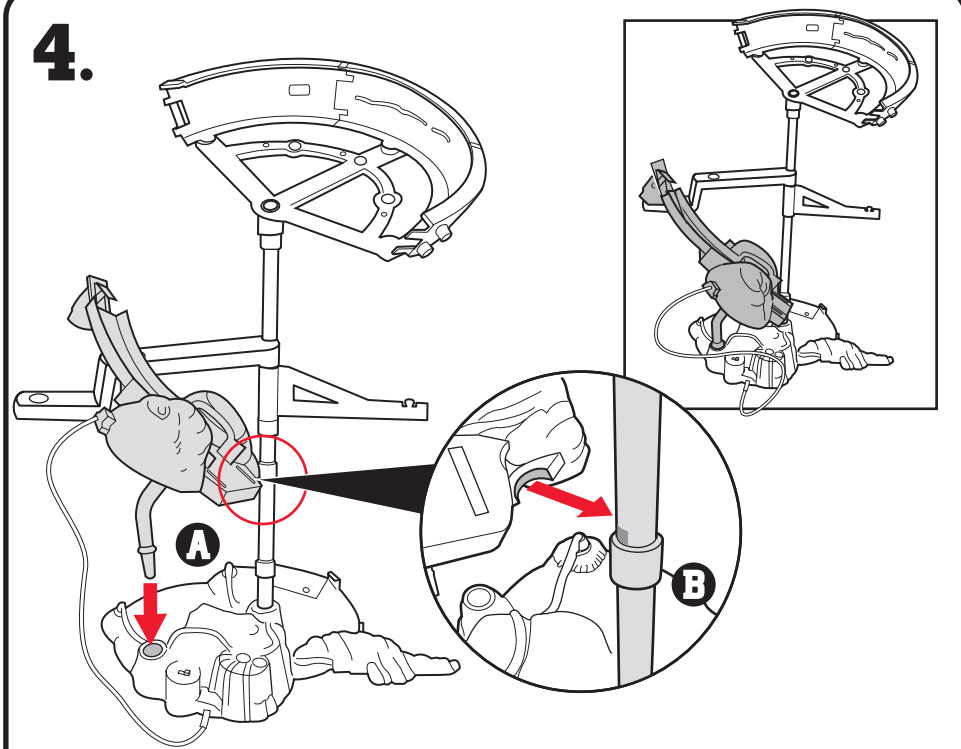
2.



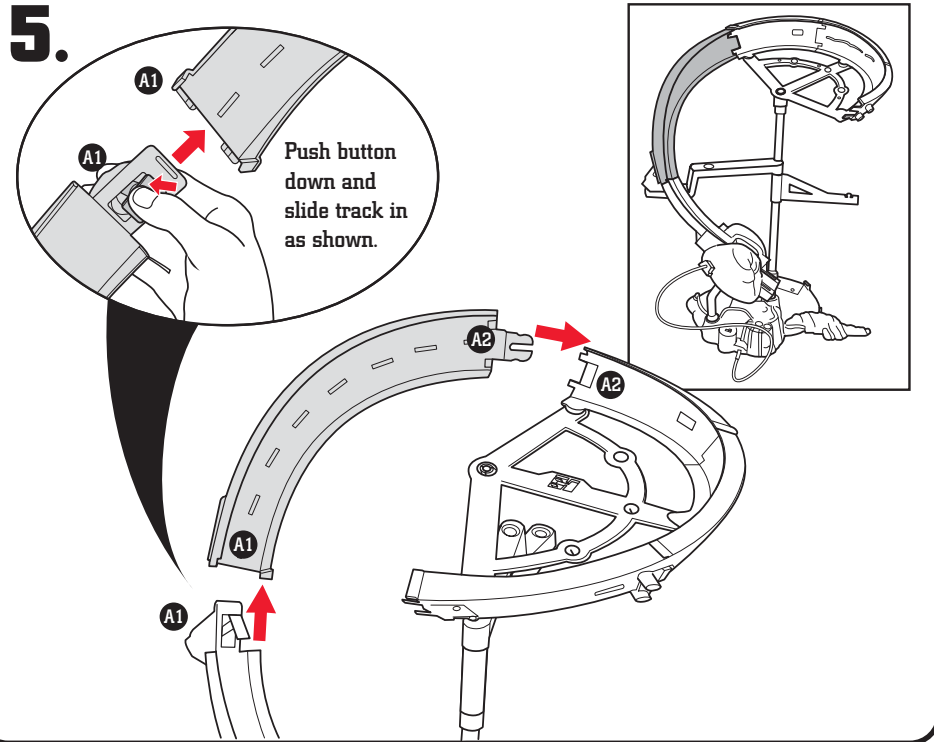
3.



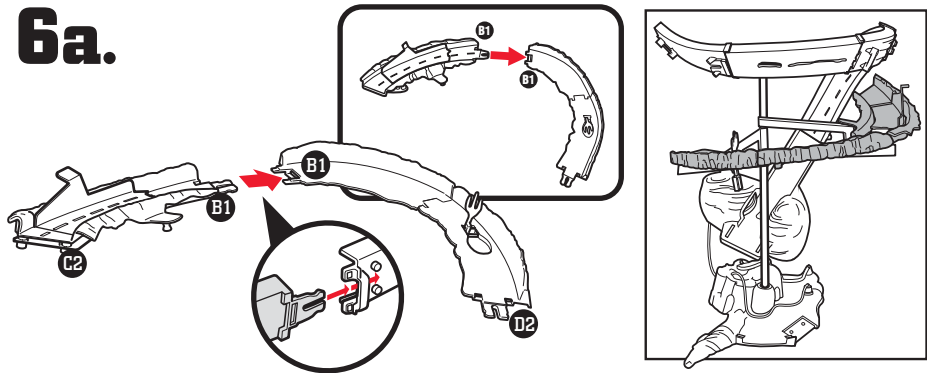
4.



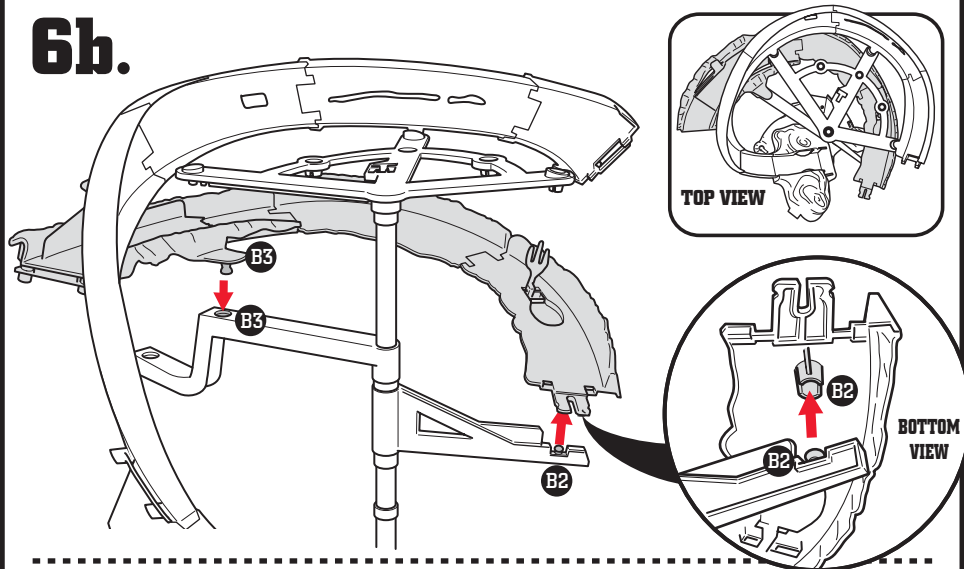
5.



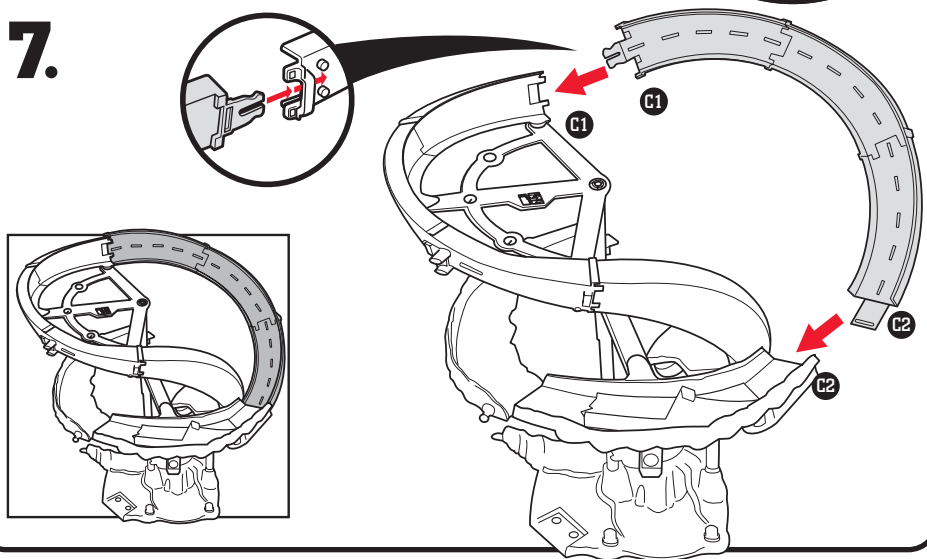
6a.



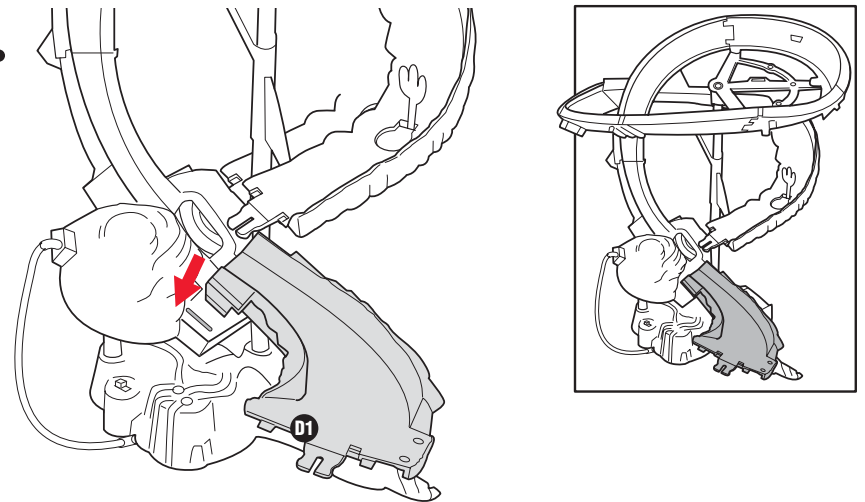
6b.



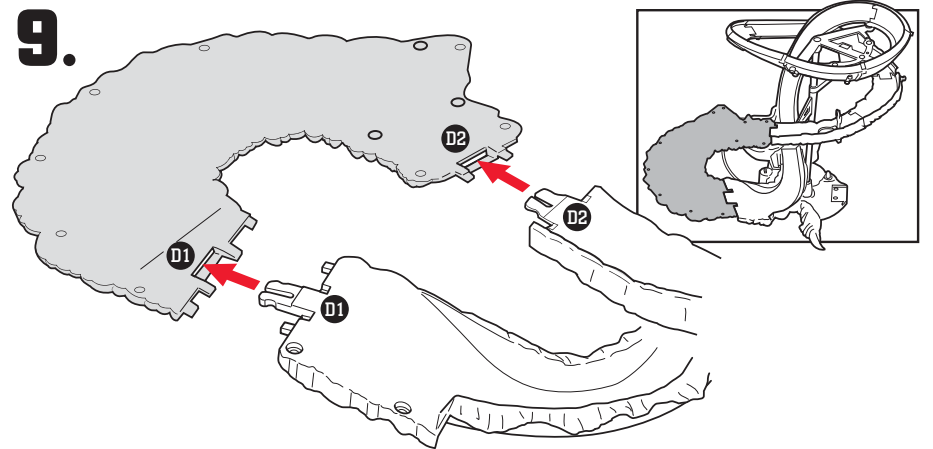
7.



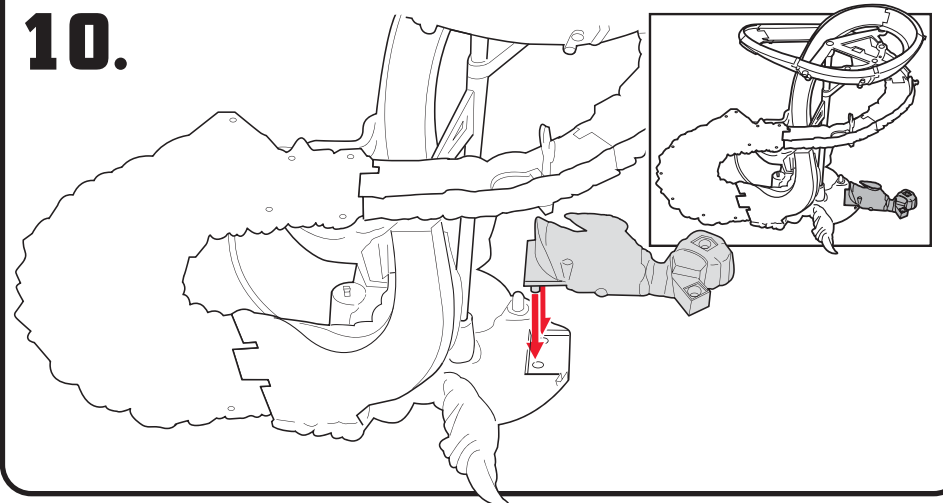
8.



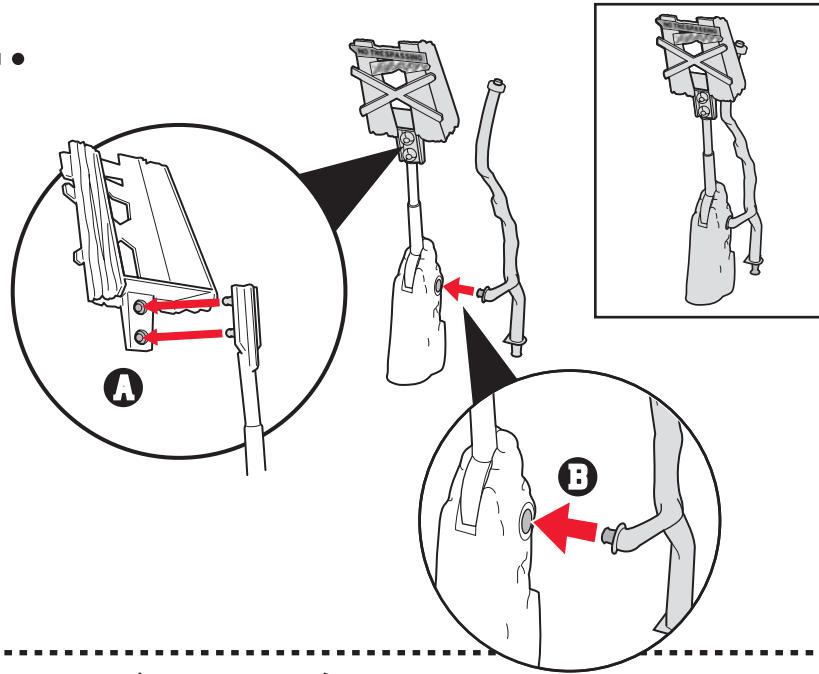
9.



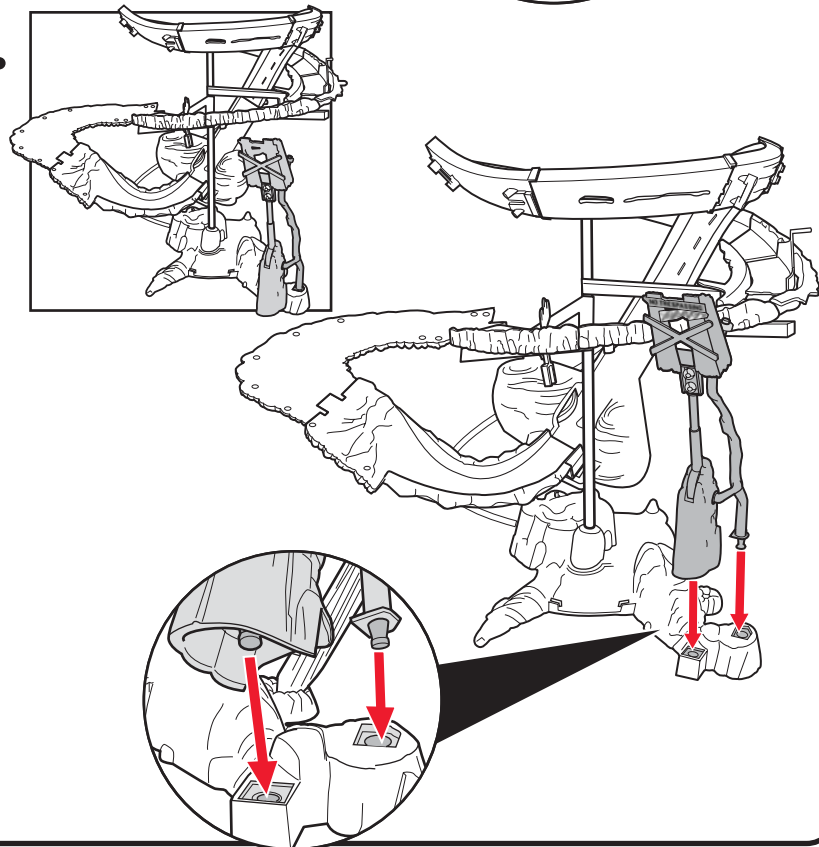
10.



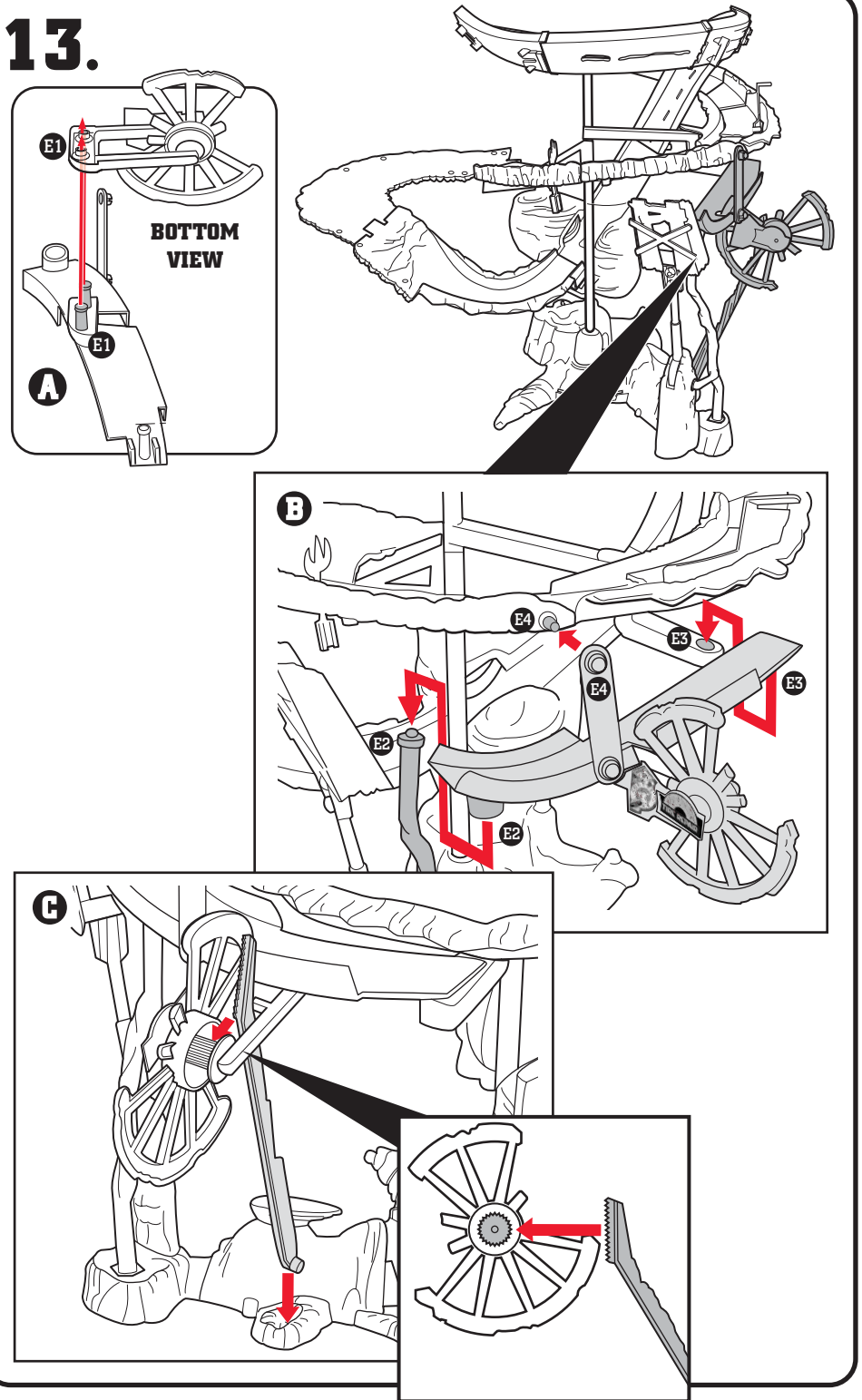
11.



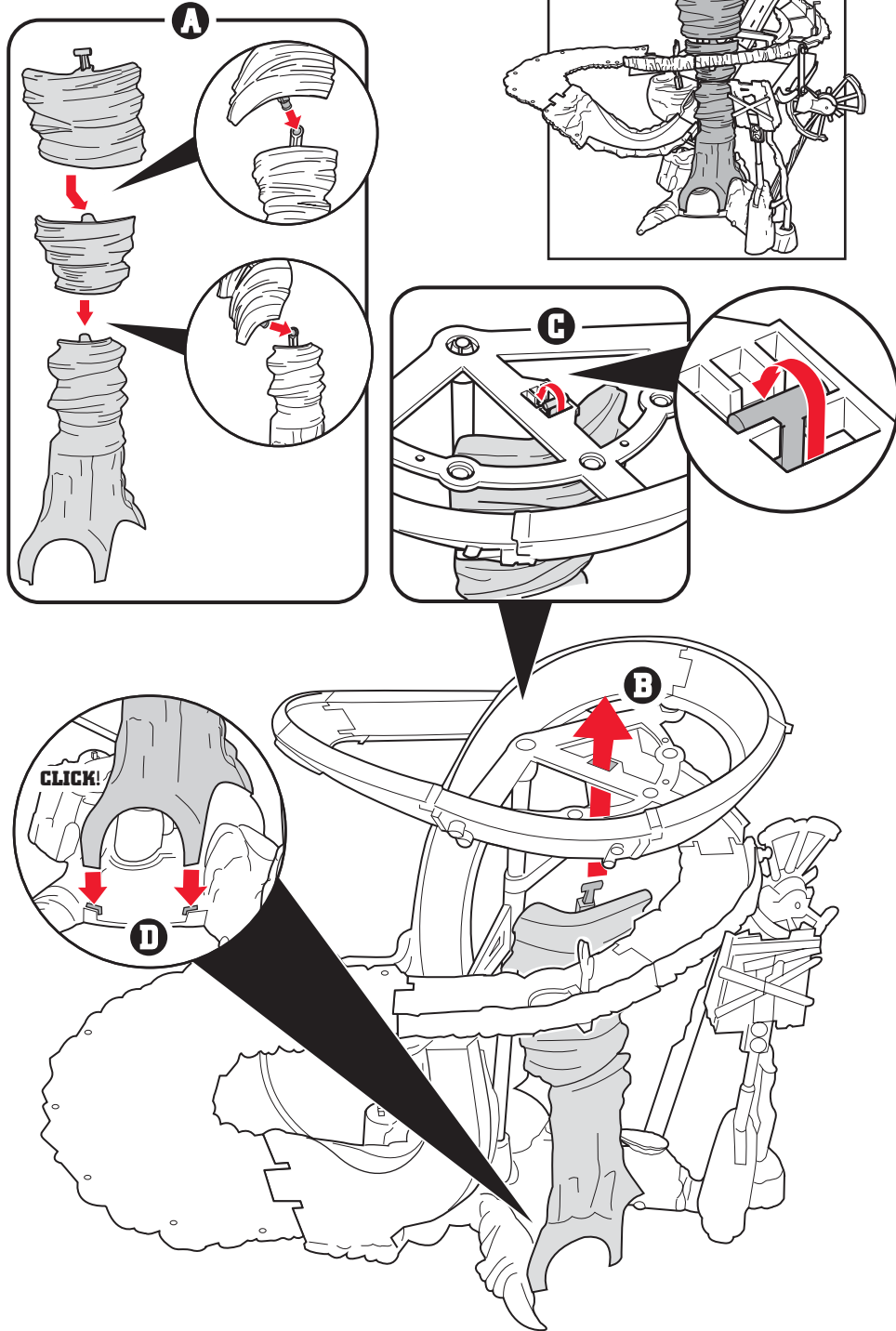
12.



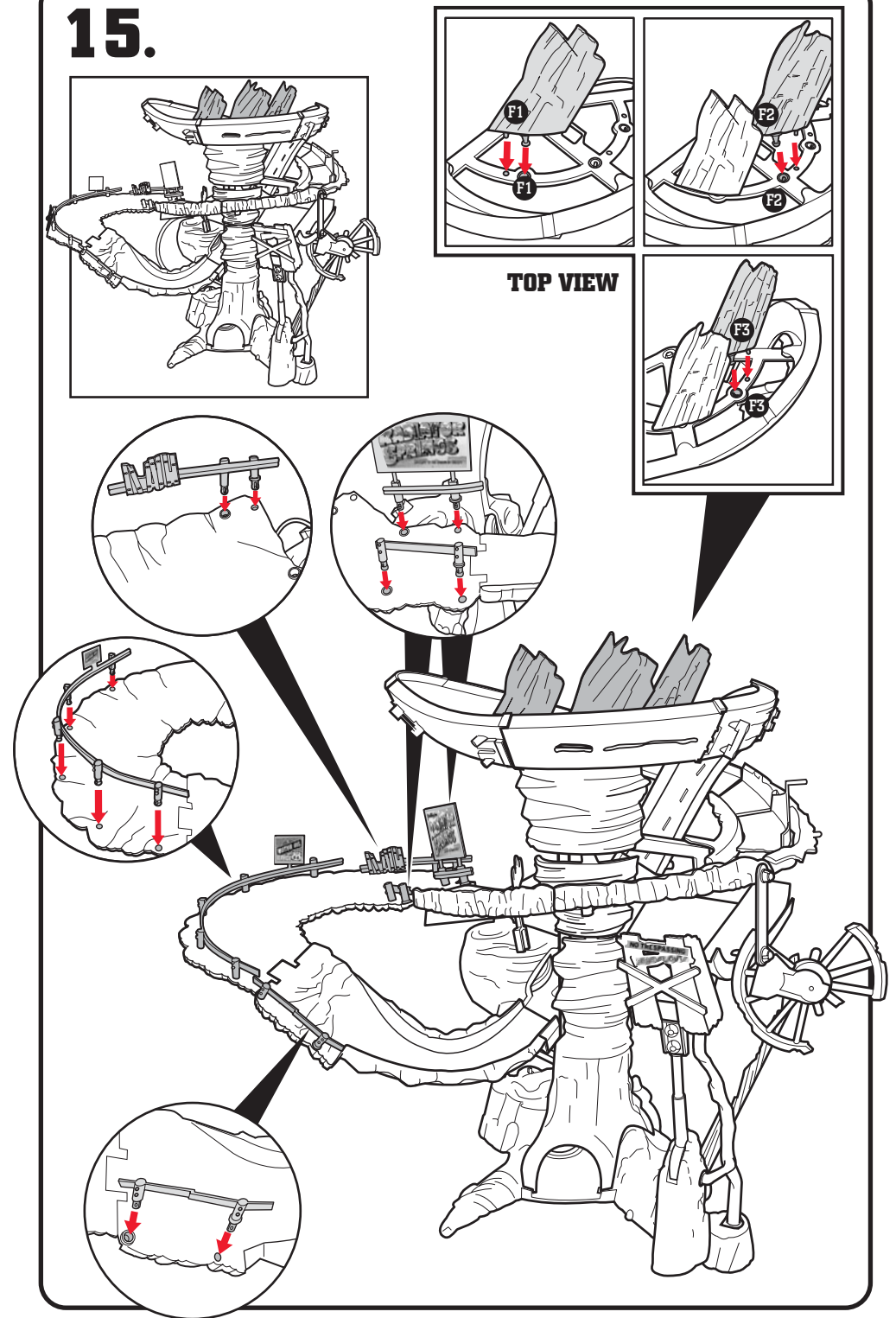
13.



14.

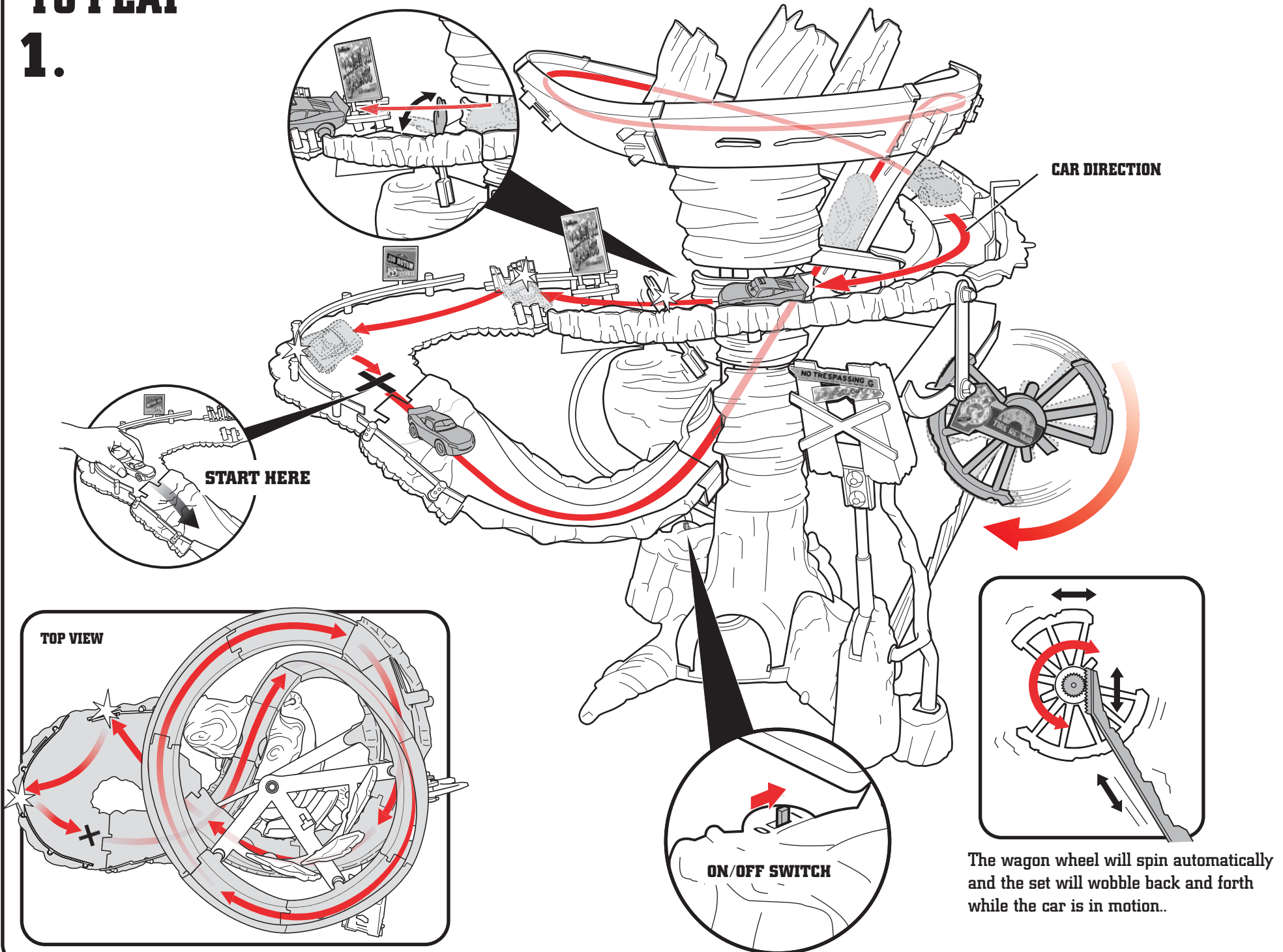


15.



TO PLAY

1.



2. Can you avoid the spinning wagon wheel???

Hold down the lever as shown to divert the car into the escape chute.
Time it just right to avoid the spinning wagon wheel.

