

Sort & Roll™ School Bus

www.fisher-price.com



Please keep this instruction sheet for future reference,
as it contains important information.

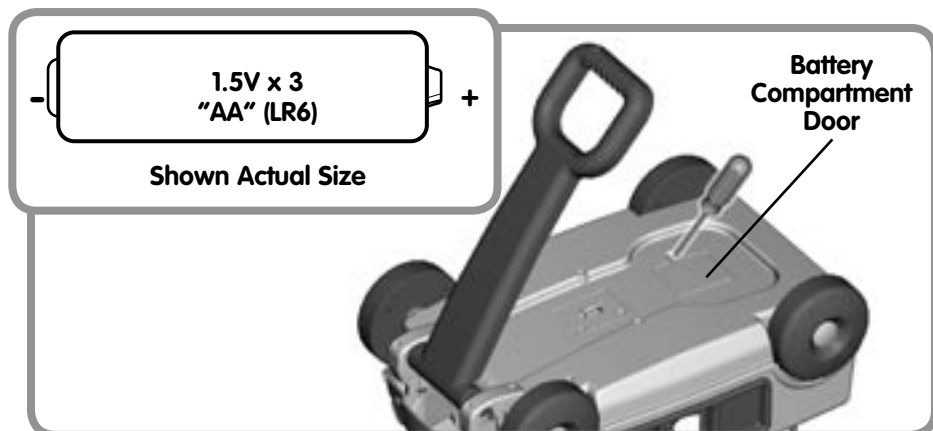
Requires three "AA" (LR6) **alkaline** batteries (not included).

Adult assembly is required for battery installation.

Tool required for battery installation: Phillips screwdriver (not included).



Battery Installation



- Lift the flip-out handle on the bottom of the toy to access the battery compartment.
- Locate the battery compartment on the bottom of the toy.
- Loosen the screws in the battery compartment door with a Phillips screwdriver. Remove the battery compartment door.
- Insert three "AA" (LR6) **alkaline** batteries.

Hint: We recommend using **alkaline** batteries for longer life.

- Replace the battery compartment door and tighten the screws with a Phillips screwdriver. Do not over-tighten.

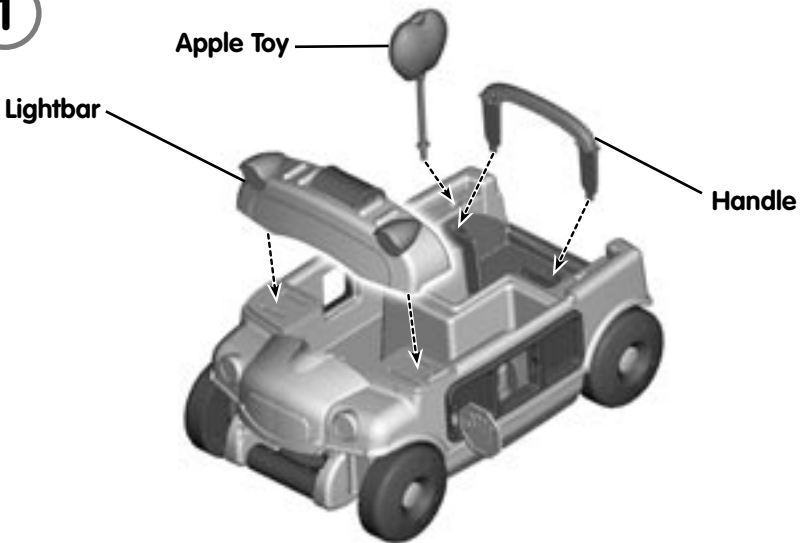
Battery Safety Information

Batteries may leak fluids that can cause a chemical burn injury or ruin your toy. To avoid battery leakage:

- Do not mix old and new batteries or batteries of different types: alkaline, standard (carbon-zinc) or rechargeable (nickel-cadmium).
- Insert batteries as indicated inside the battery compartment.
- Remove batteries during long periods of non-use. Always remove exhausted batteries from the toy. Dispose of batteries safely. Do not dispose of batteries in a fire. The batteries may explode or leak.
- Never short-circuit the battery terminals.
- Use only batteries of the same or equivalent type, as recommended.
- Do not charge non-rechargeable batteries.
- Remove rechargeable batteries from the toy before charging.
- If removable, rechargeable batteries are used, they are only to be charged under adult supervision.

Assembly

1



- "Snap" the lightbar onto the top of the bus.
- "Snap" the handle onto the bus.
- "Snap" the apple toy onto the bus.

2

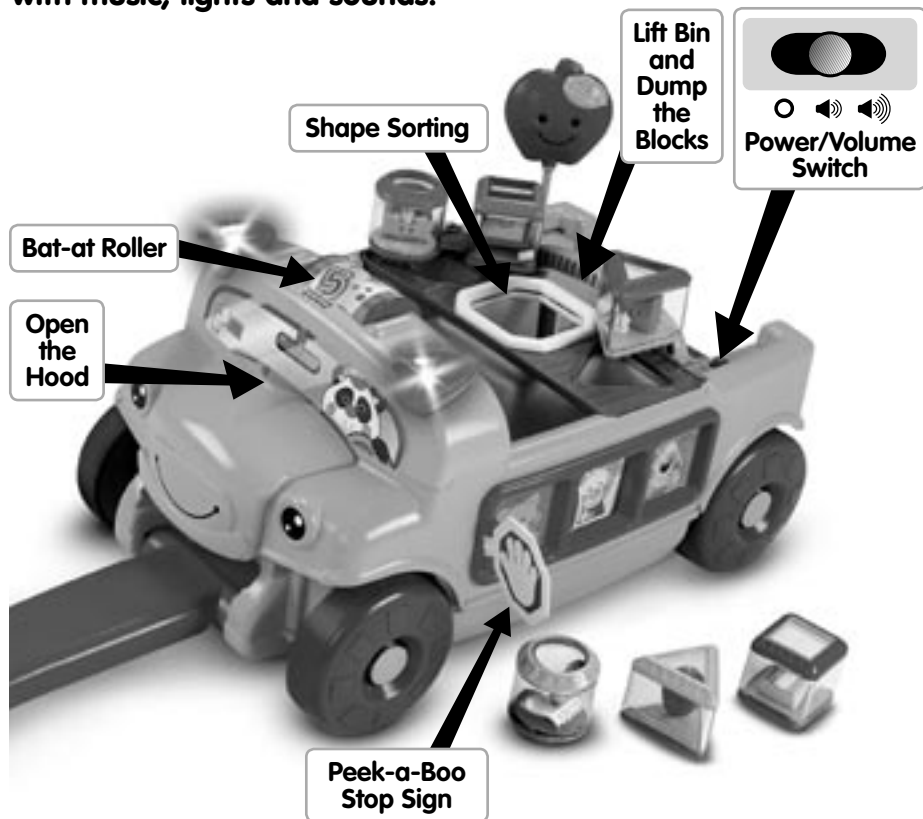


- Insert the peg on one end of the shape-sorter door into the opening in the bus. While making sure to keep this peg in place, bend the door slightly and insert the other peg into the opening on the other side of the bus.





Assembly is now complete.

A Bus-Load of Fun!

Fun activities reward baby with music, lights and sounds!

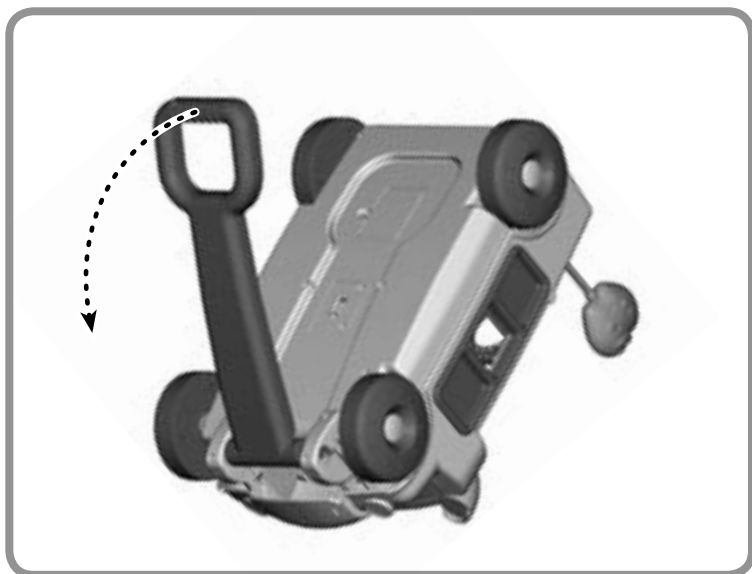


Power/Volume Switch

- Locate the power/volume switch on top of the toy. Slide the switch to any of three positions: off ; on with low volume ; or on with high volume .
- When your child is finished playing with this toy, slide the power/volume switch to the off position .

Hint: If your child is not actively playing with this toy, it turns off automatically (sleep mode).

Sit and Play Activity Center or Pull-Along Bus!



- To convert from a sit and play activity center to a pull-along bus, tip the toy and pull the handle away from the base. To change back, simply “snap” the handle back in place.

Hint: For best results, when using this toy as an activity center, be sure the handle is “snapped” under the bus.

Care

- Wipe the toy with a clean cloth dampened with a mild soap and water solution.
- Do not immerse the toy.

Consumer Information

Questions? We'd like to hear from you!

Call Fisher-Price® Consumer Relations, toll-free at 1-800-432-5437, 8 AM - 6 PM EST Monday through Friday. Hearing-impaired consumers using TTY/TDD equipment, please call 1-800-382-7470. Or, visit us on line at www.service.mattel.com.

Write to us at: Fisher-Price® Consumer Relations, 636 Girard Avenue, East Aurora, New York 14052.

FCC Note (United States Only)

Note: This equipment has been tested and found to comply with the limits for a Class B digital device, pursuant to Part 15 of the FCC Rules. These limits are designed to provide reasonable protection against harmful interference in a residential installation. This equipment generates, uses and can radiate radio frequency energy and, if not installed and used in accordance with the instructions, may cause harmful interference to radio communications. However, there is no guarantee that interference will not occur in a particular installation. If this equipment does cause harmful interference to radio or television reception, which can be determined by turning the equipment off and on, the user is encouraged to try to correct the interference by one or more of the following measures:

- Reorient or relocate the receiving antenna.
- Increase the separation between the equipment and receiver.
- Consult the dealer or an experienced radio/TV technician for help.

Note: Changes or modifications not expressly approved by the manufacturer responsible for compliance could void the user's authority to operate the equipment.

For countries outside the United States:

CANADA: Questions? 1-800-432-5437. Mattel Canada Inc., 6155 Freemont Blvd., Mississauga, Ontario L5R 3W2; www.service.mattel.com.

GREAT BRITAIN: [Mattel UK Ltd, Vanwall Business Park, Maidenhead SL6 4UB. Helpline: 01628 500302.](#)

AUSTRALIA: Mattel Australia Pty. Ltd., 658 Church Street, Locked Bag #870, Richmond, Victoria 3121 Australia. Consumer Advisory Service 1300 135 312.

NEW ZEALAND: 16-18 William Pickering Drive, Albany 1331, Auckland.

ASIA: Mattel East Asia Ltd, Room 1106, South Tower, World Finance Centre, Harbour City, Tsimshatsui, HK, China.