

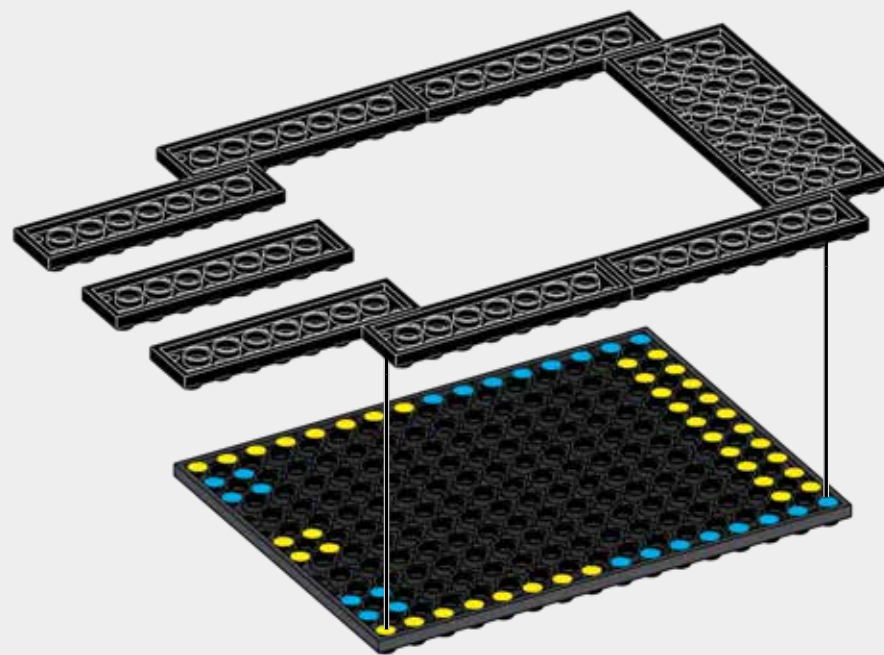
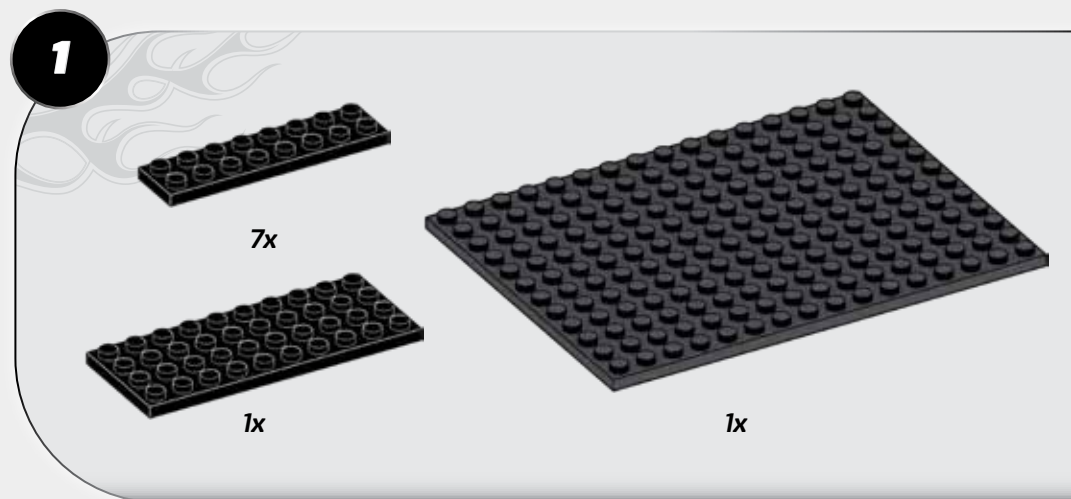
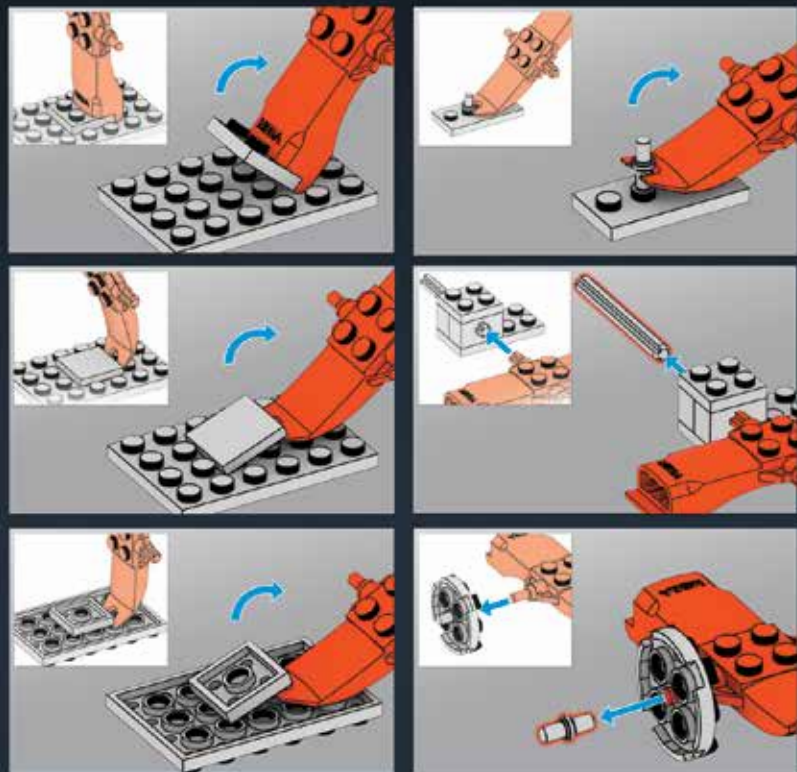


HMY97

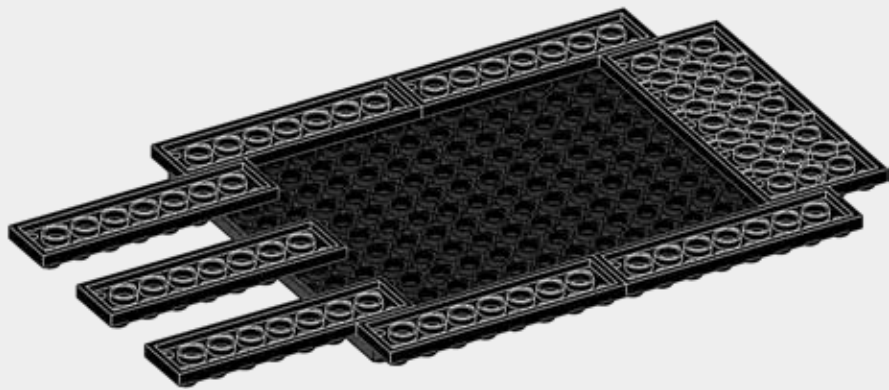
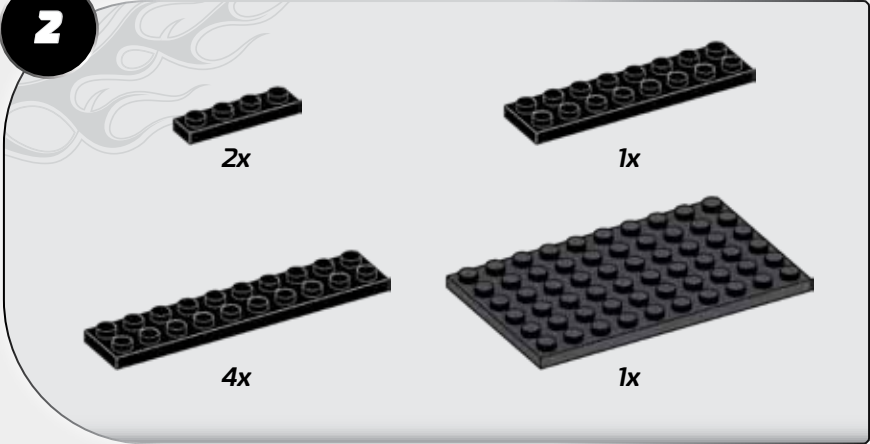
ASTON MARTIN VULCAN

BUILDING TOOL OUTIL DE CONSTRUCTION

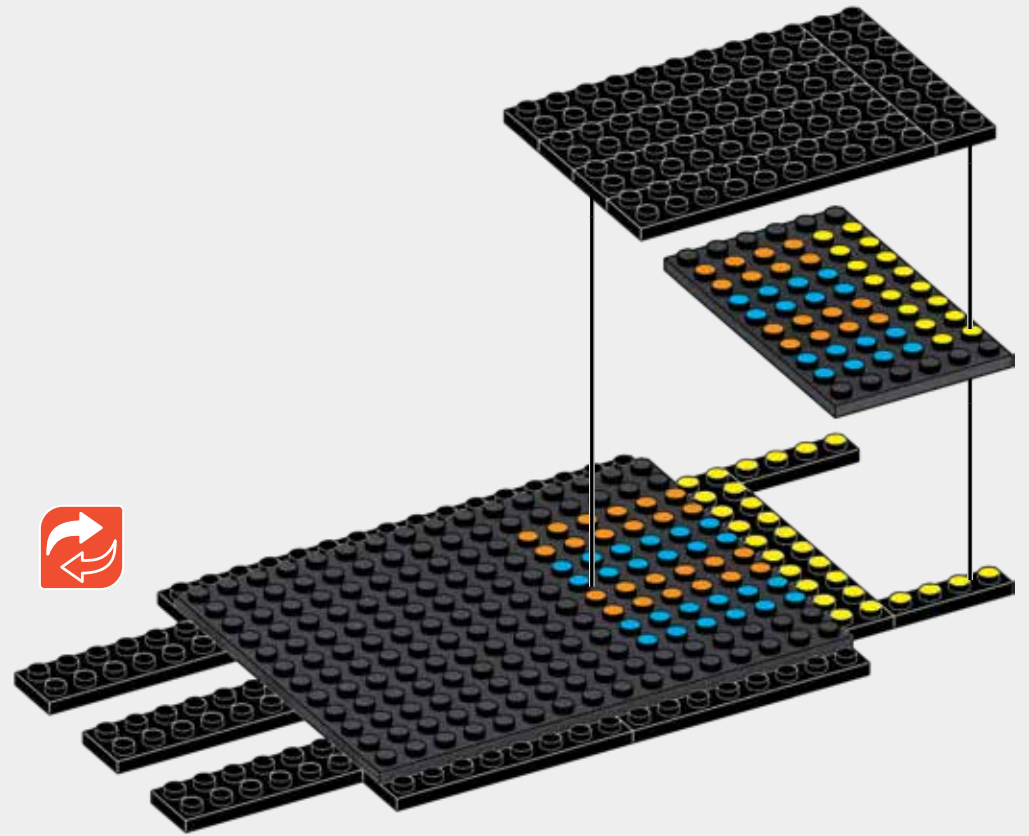
HERRAMIENTA DE CONSTRUCCIÓN
BAUWERKZEUG
FERRAMENTA DE MONTAGEM
ИНСТРУМЕНТ ДЛЯ КОНСТРУИРОВАНИЯ



2



2



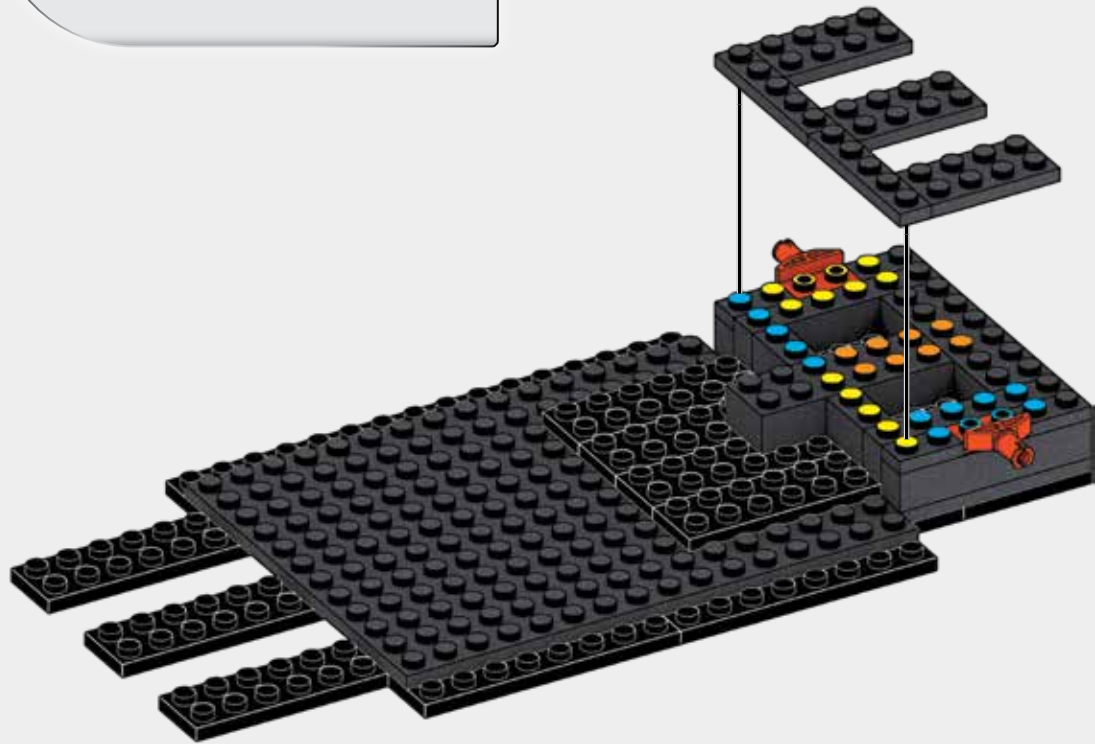
5



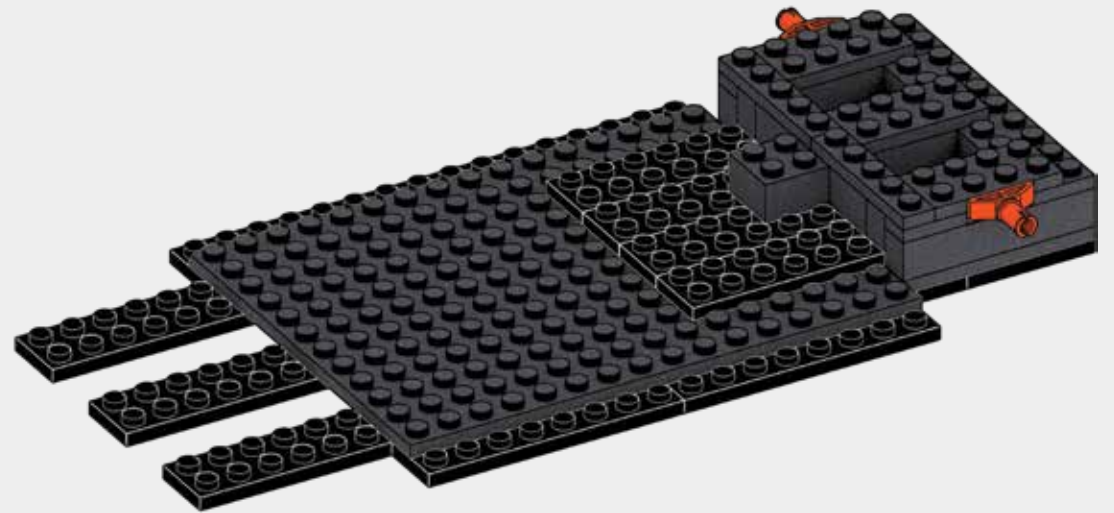
2x



3x

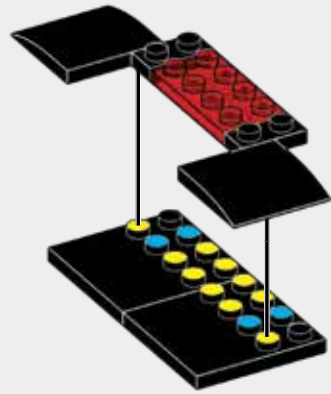
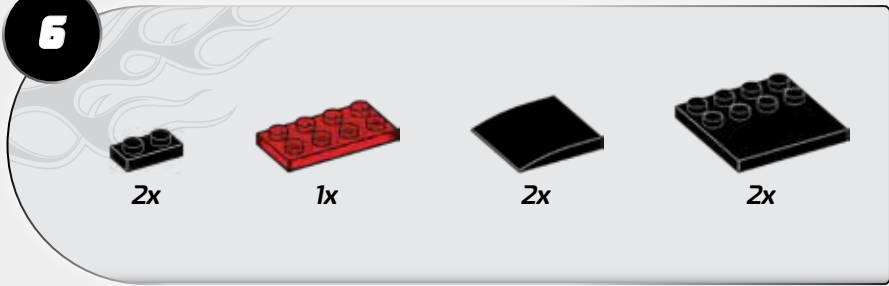


1

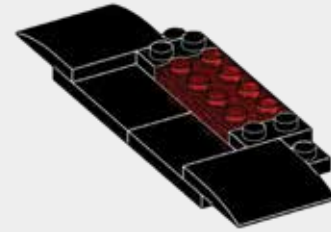


2

6

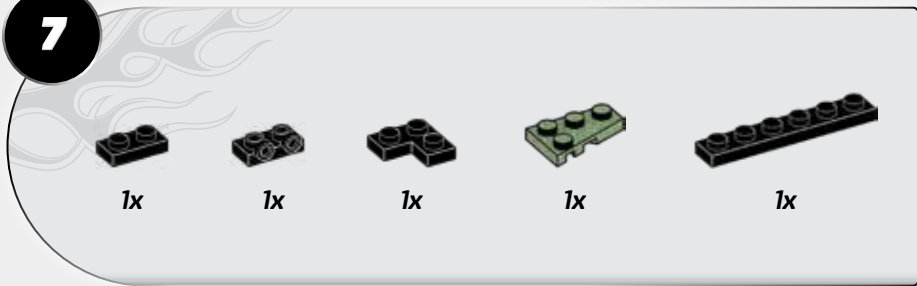


1



2

7

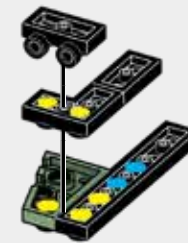
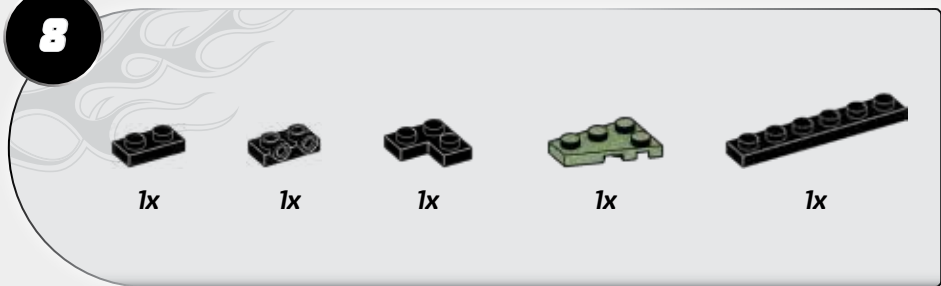


1



2

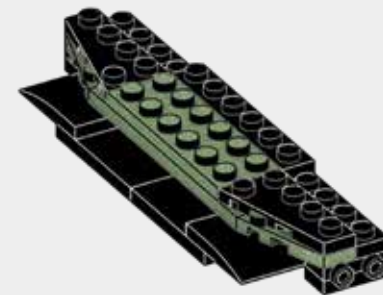
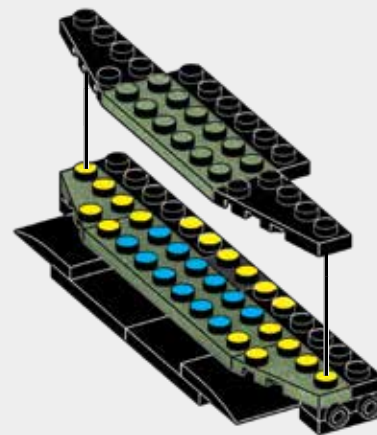
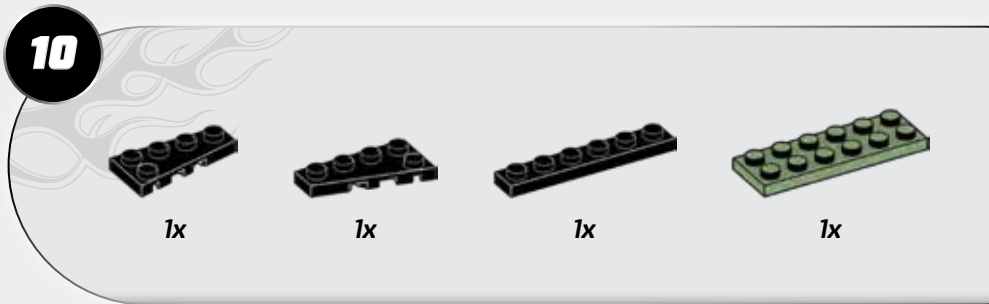
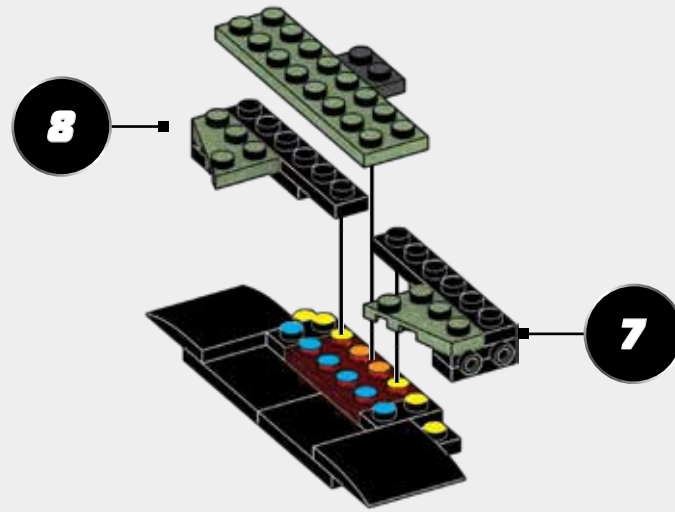
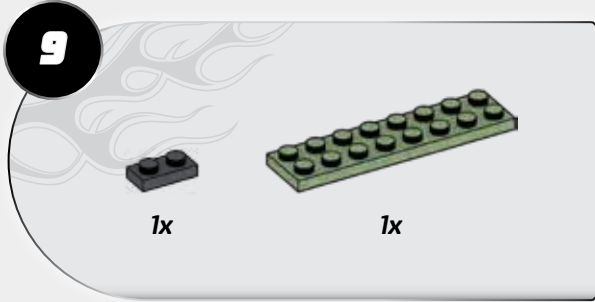
8



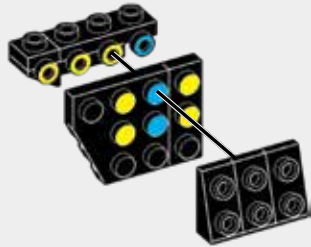
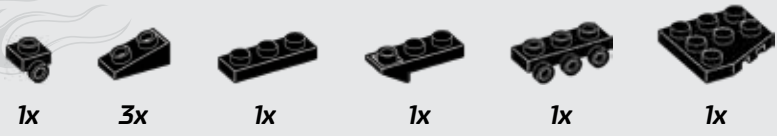
1



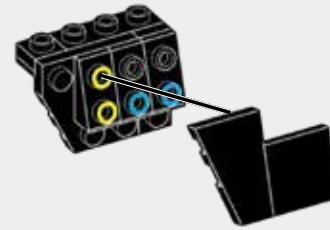
2



11



12

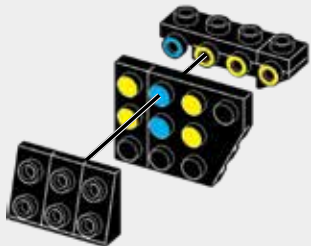
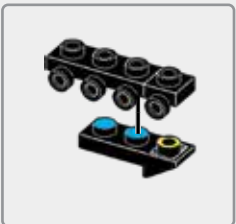


1

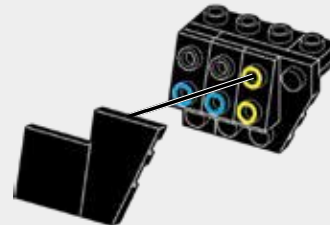


2

13



14

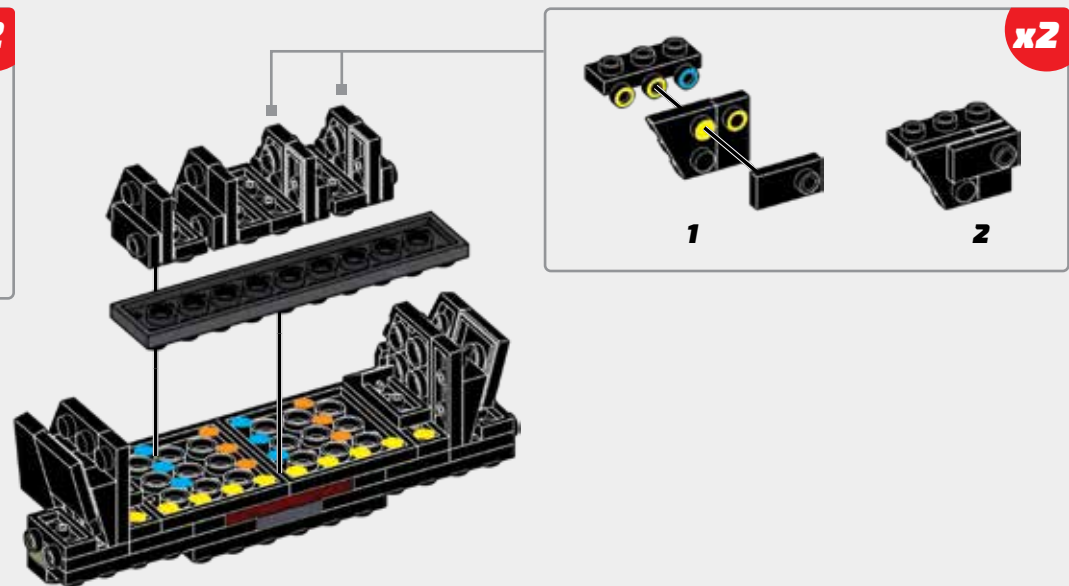
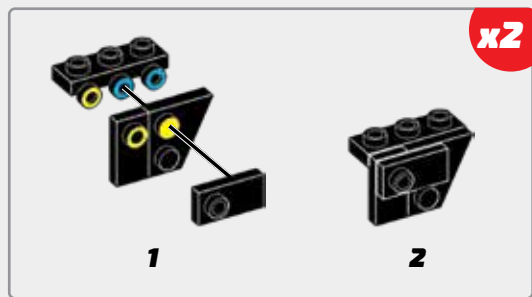
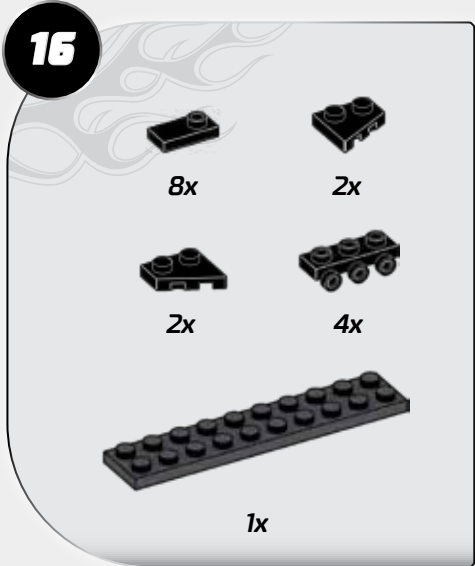
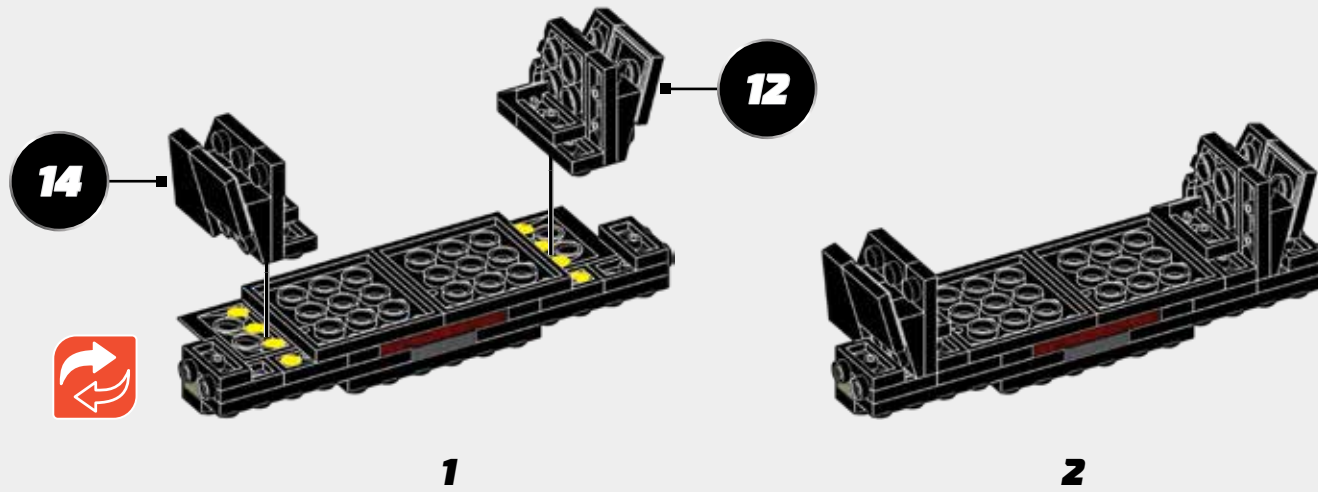


1



2

15



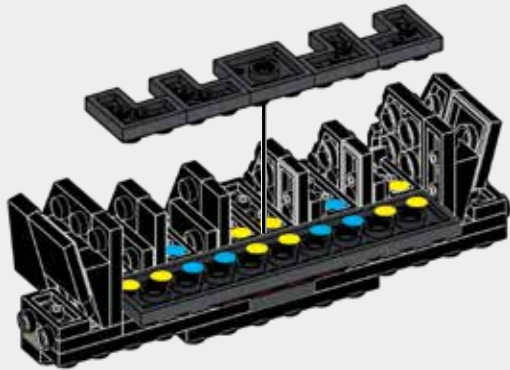
17



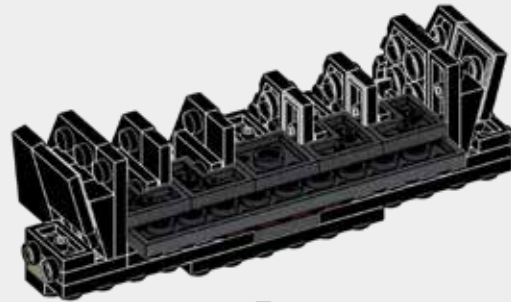
4x



1x



1



2

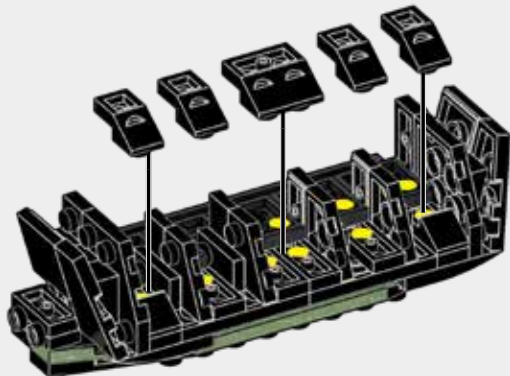
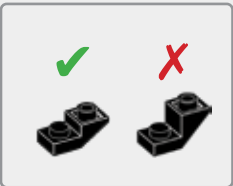
18



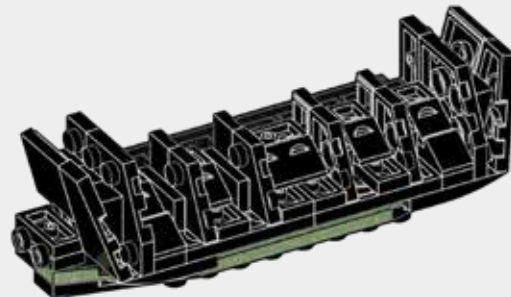
4x



1x



1



2

21



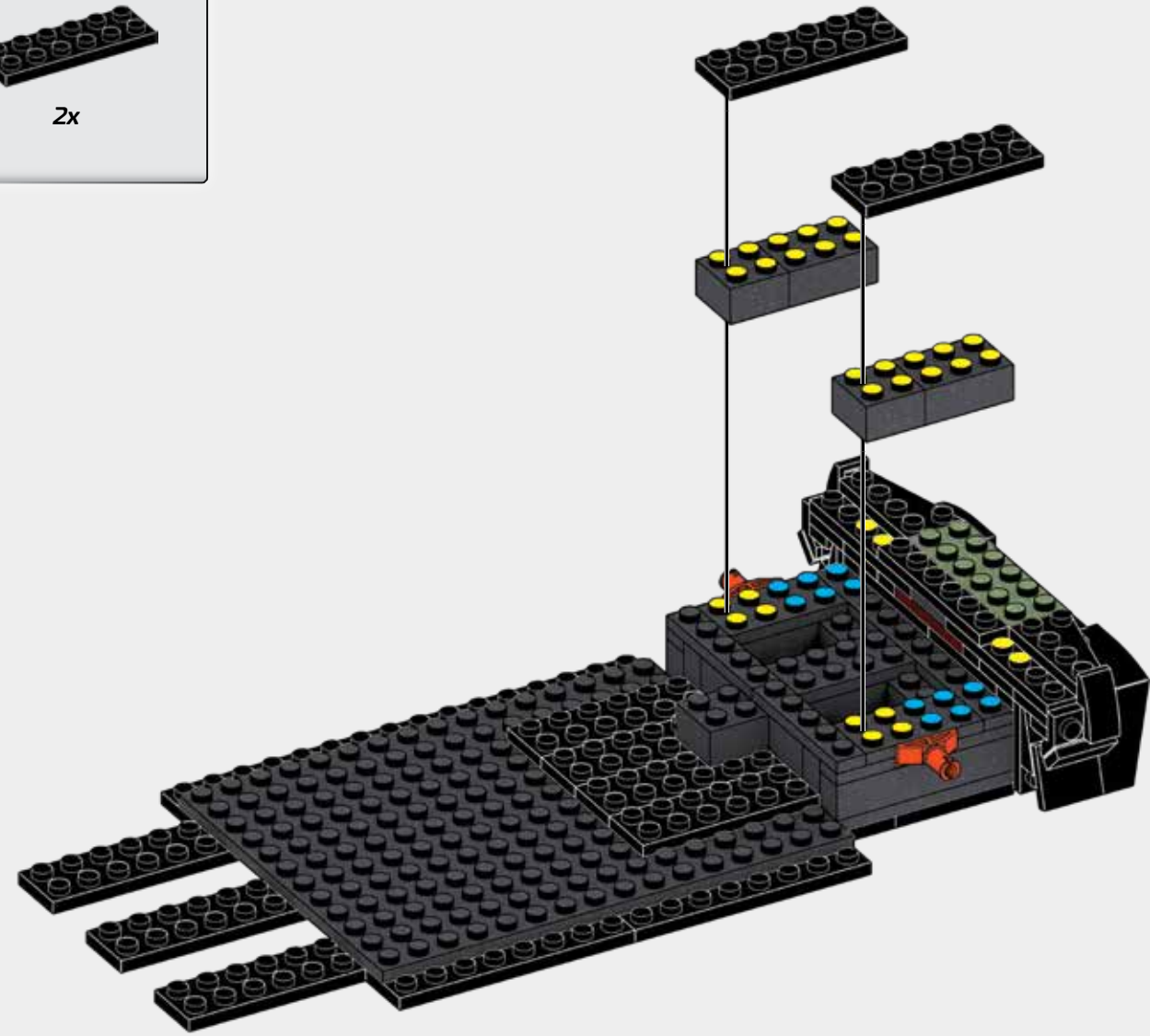
2x



2x



2x



22



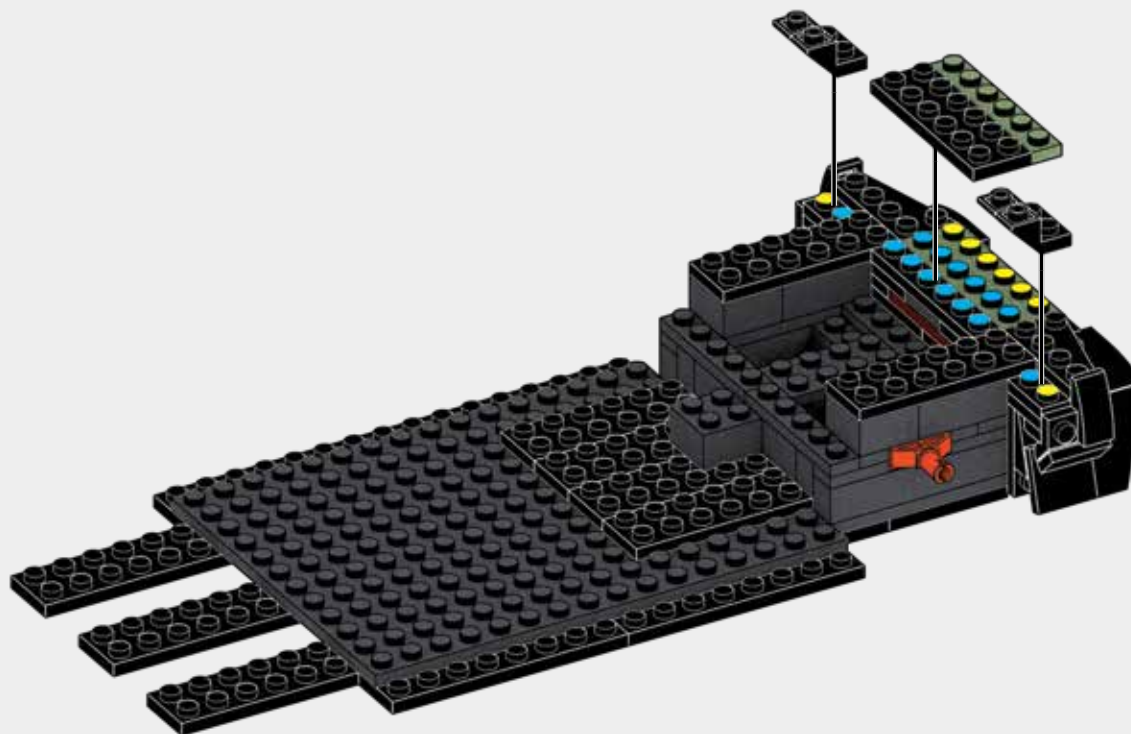
4x



1x



1x



23



2x



2x



1x



1x



24



2x



3x



1x



1x



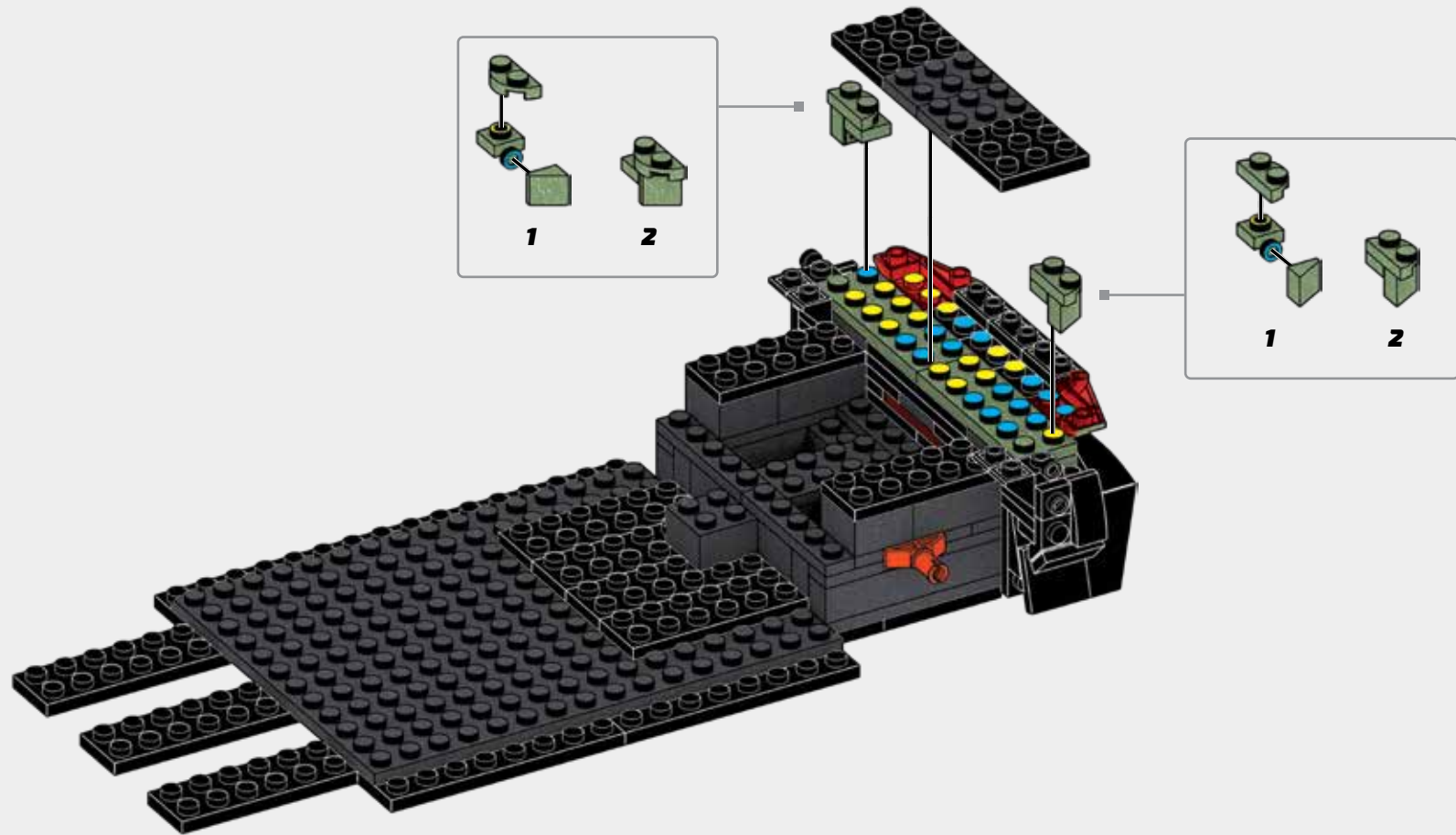
2x





25

2x 2x 2x 2x 2x



26



1x



1x



1x



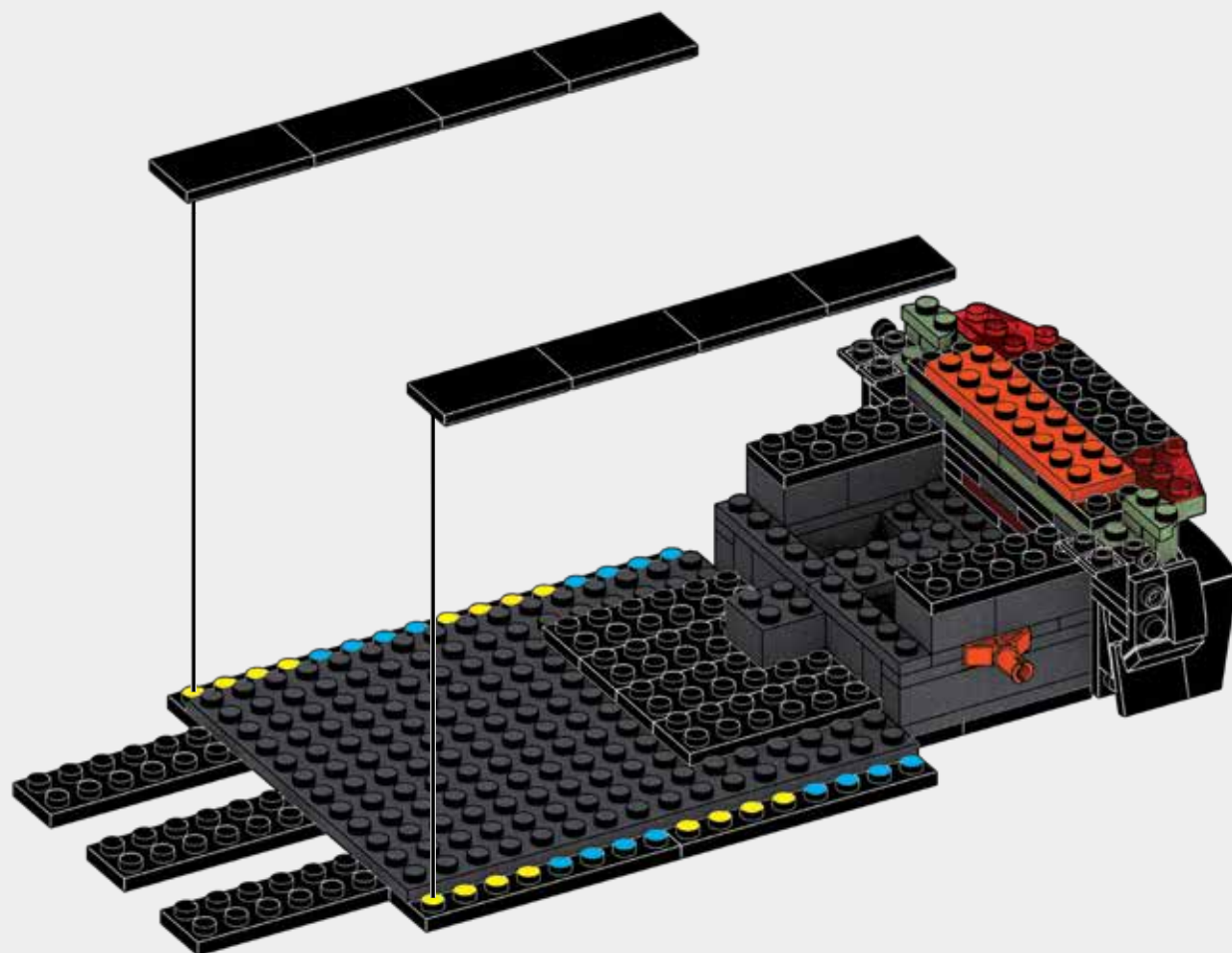
1x



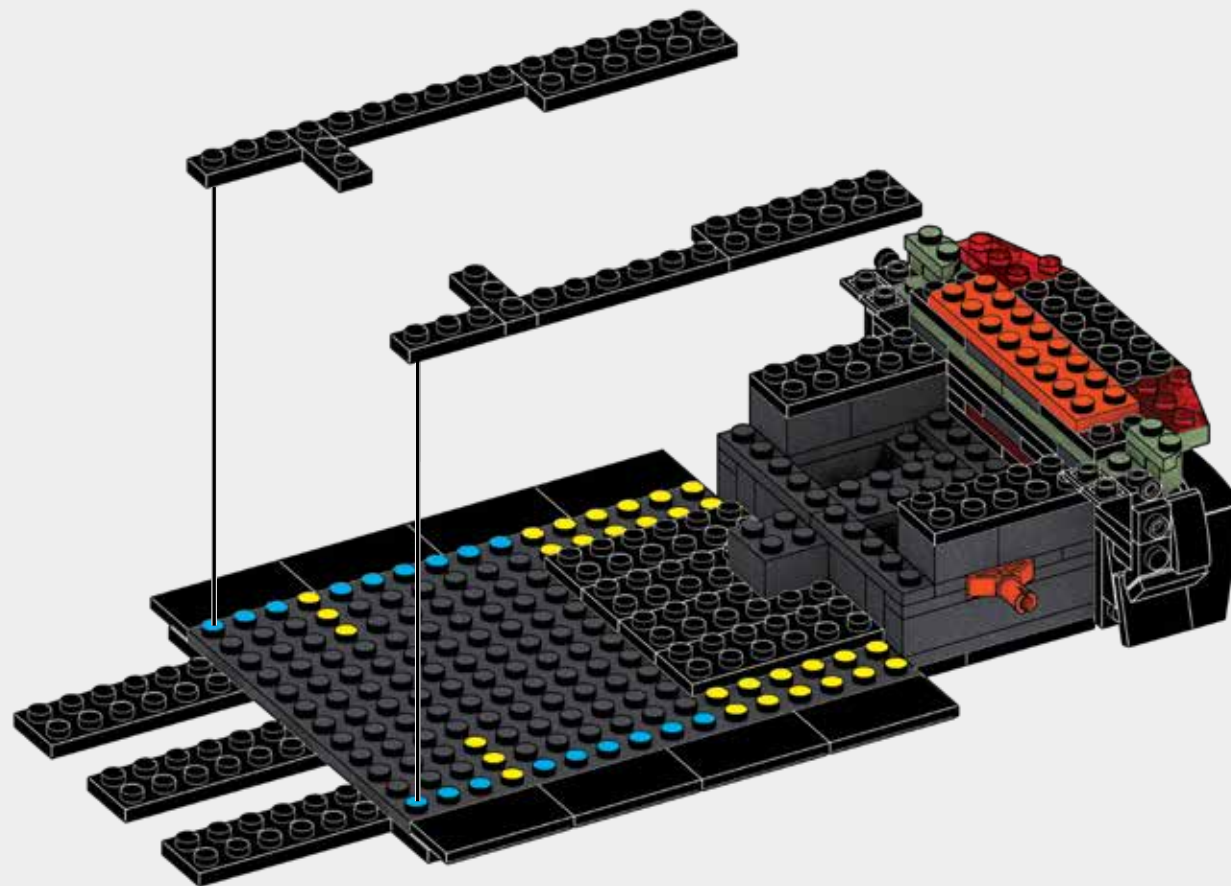
27



8x



28





4x



4x



1



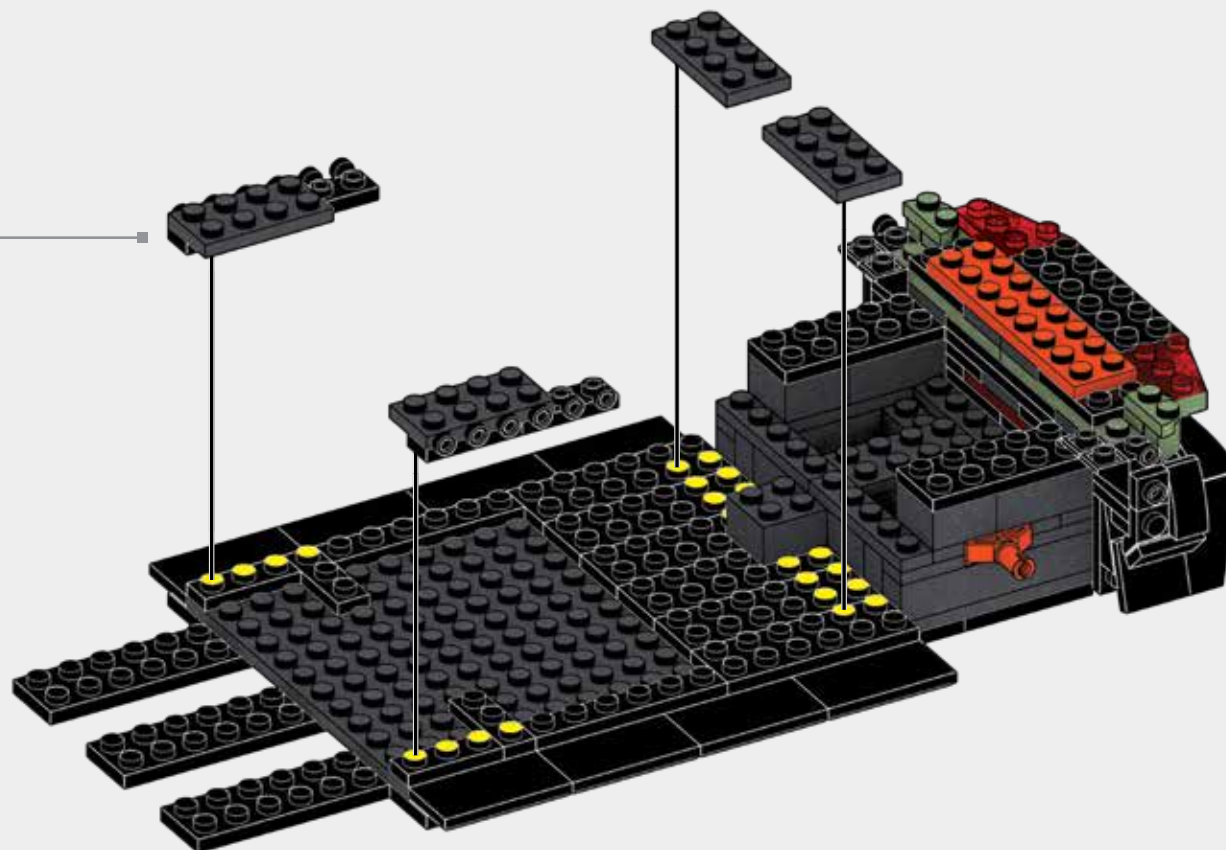
2



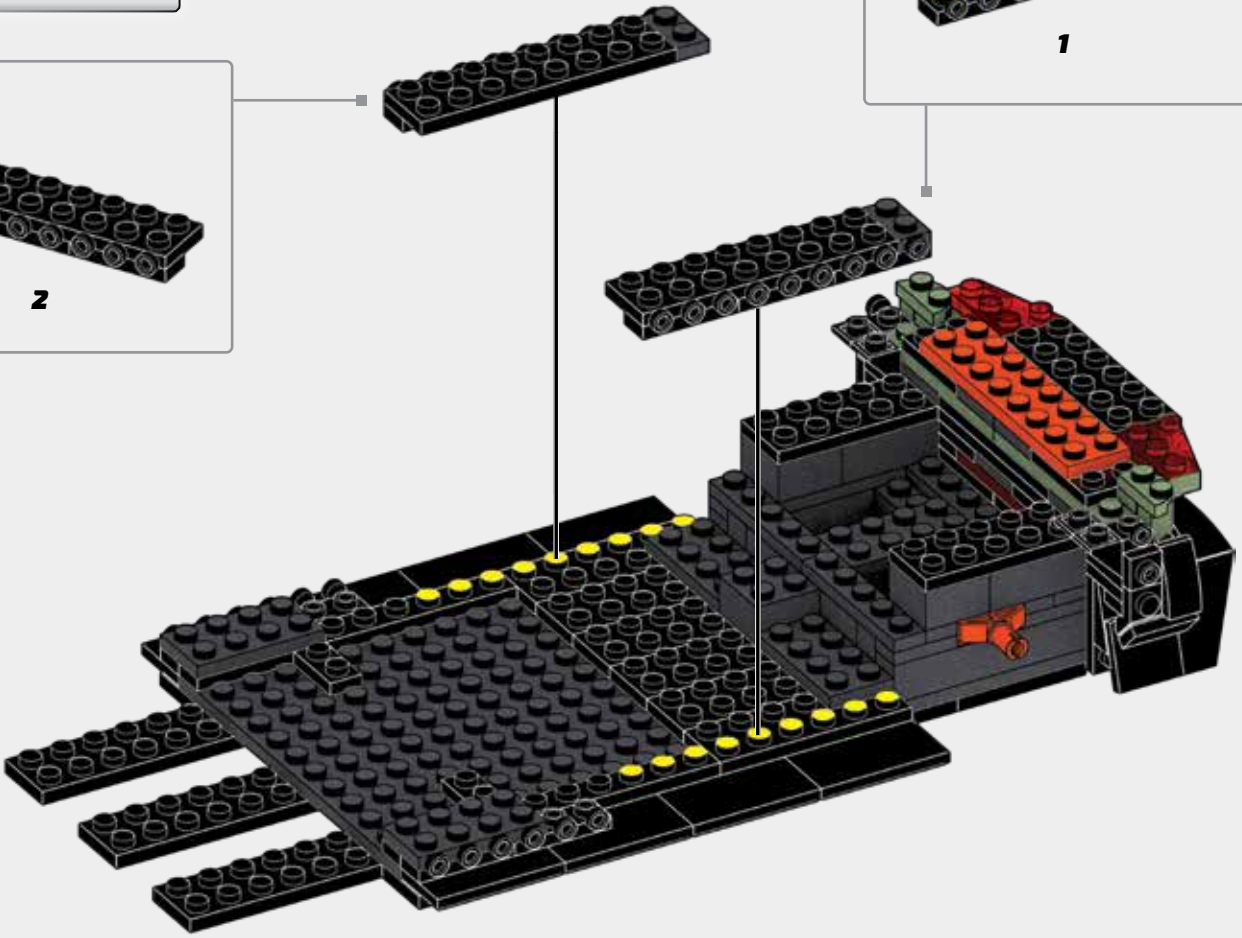
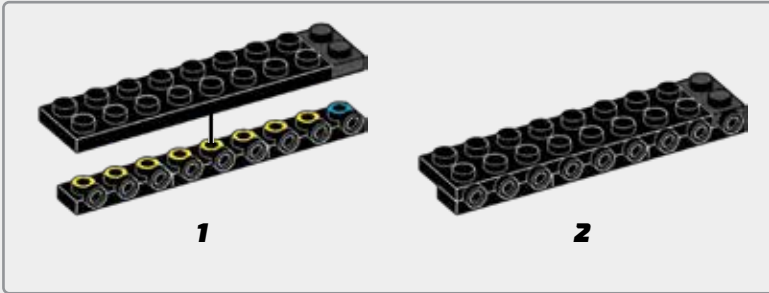
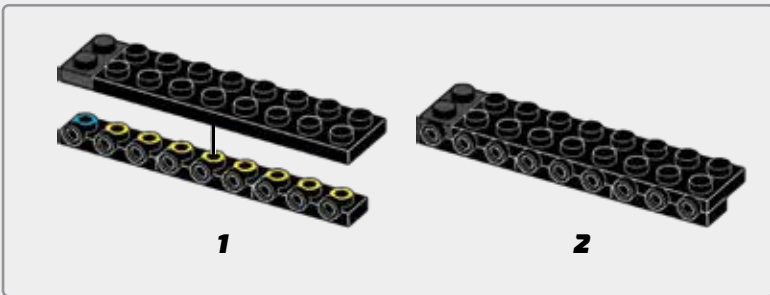
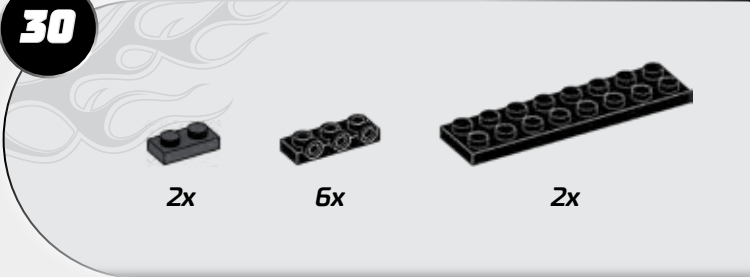
1



2



30



31



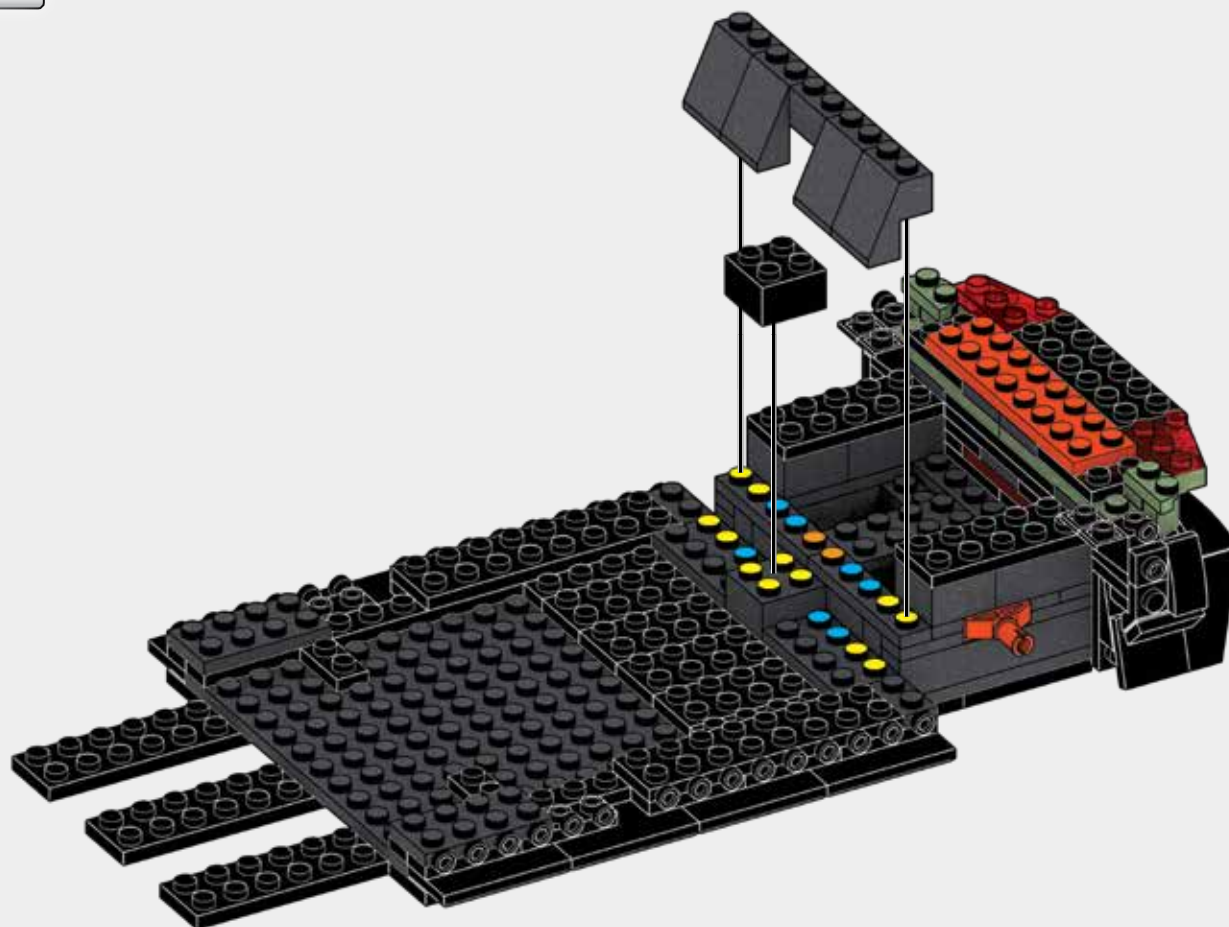
1x



1x



4x



32



2x



1x



33



2x



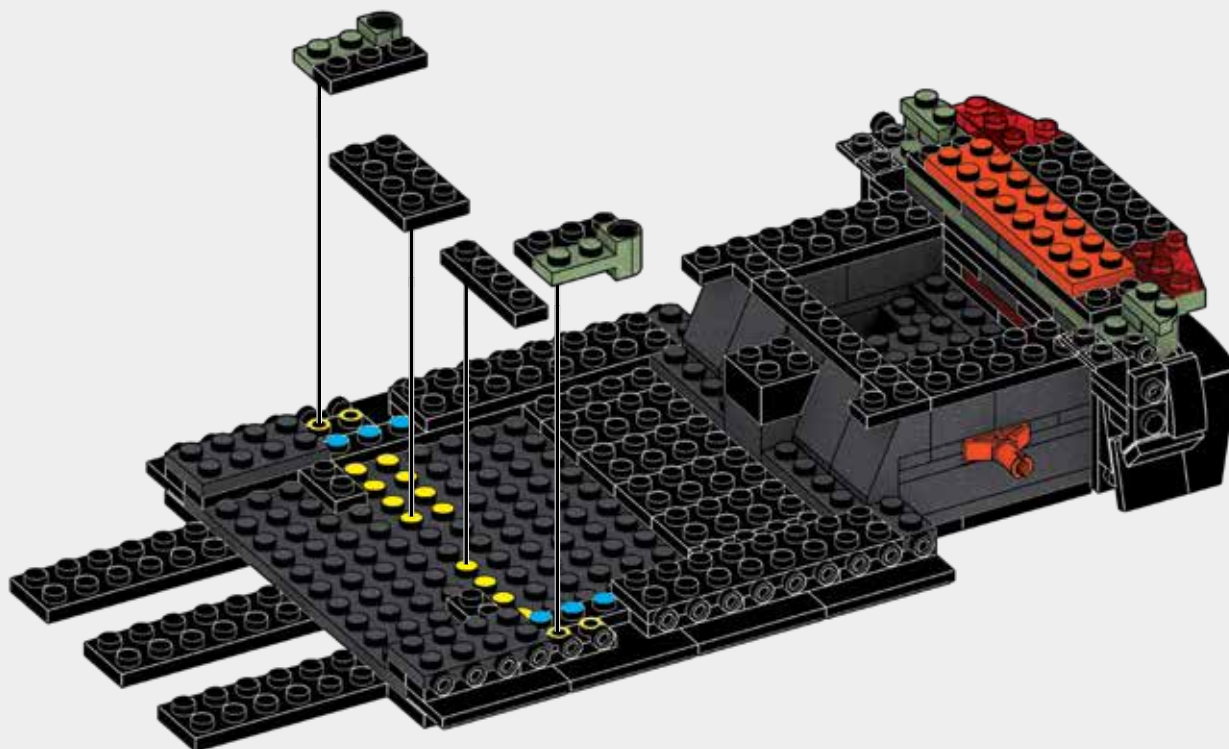
2x



1x



1x



34



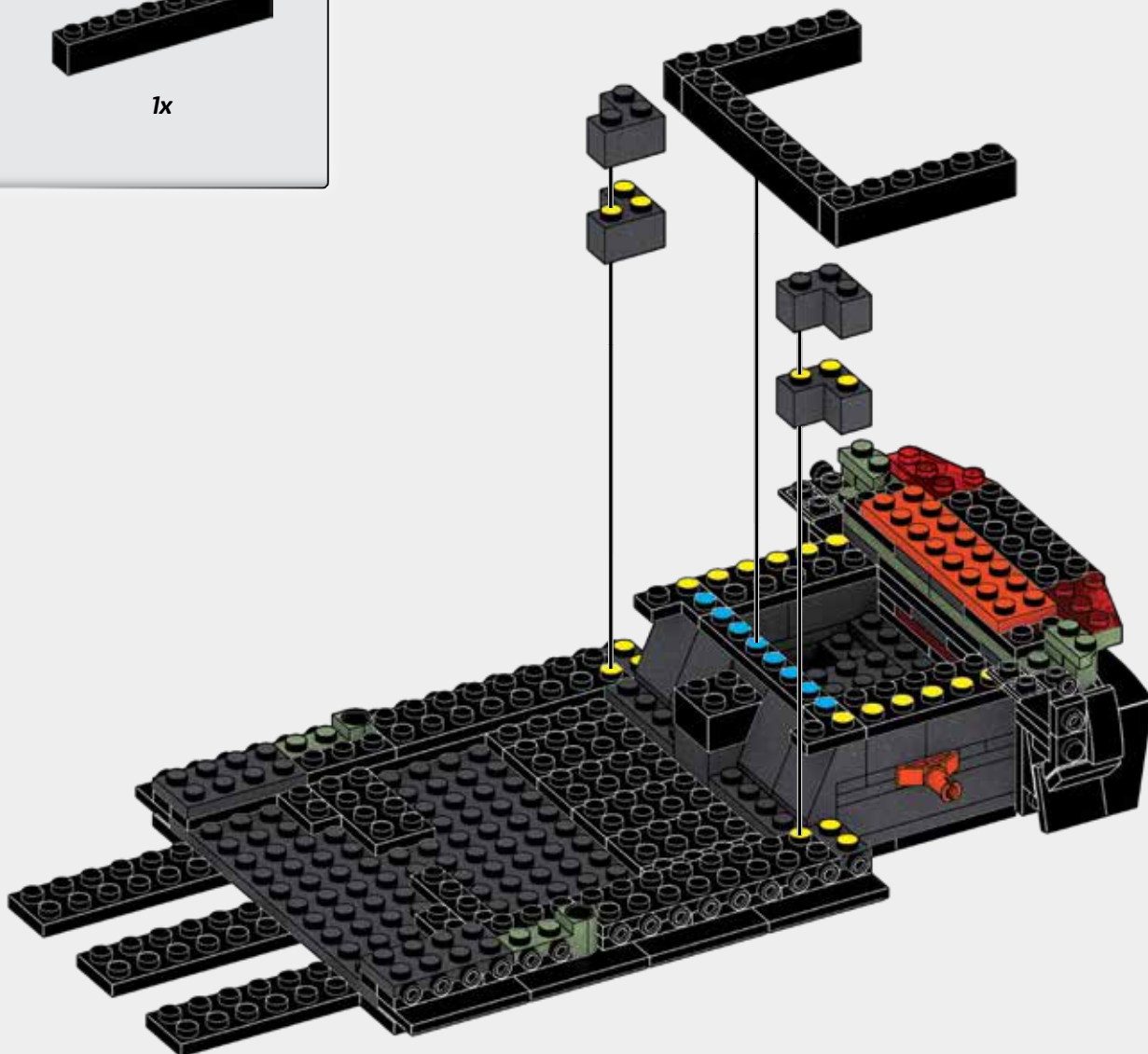
4x



2x



1x





1x



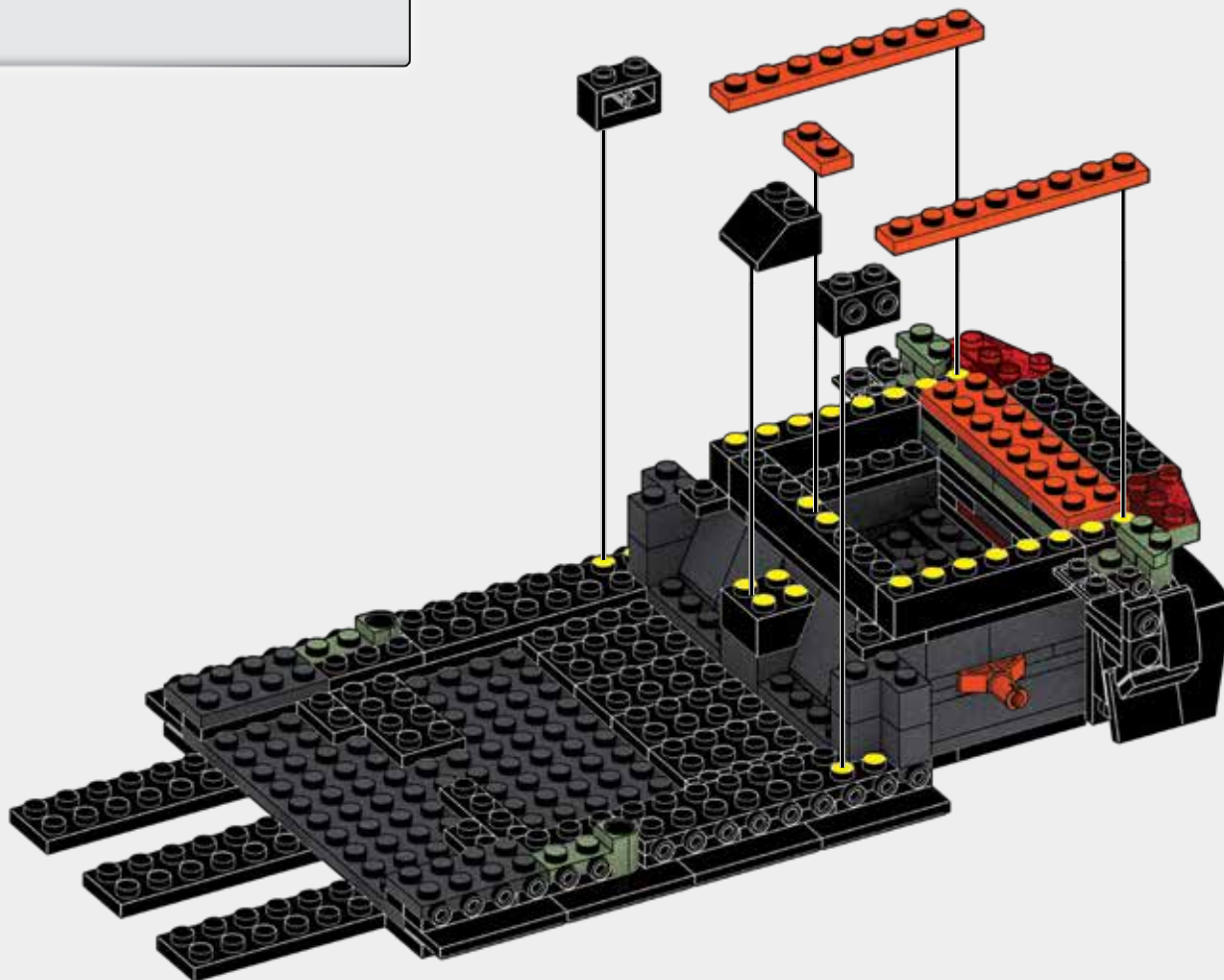
2x



1x



2x



36



2x



4x



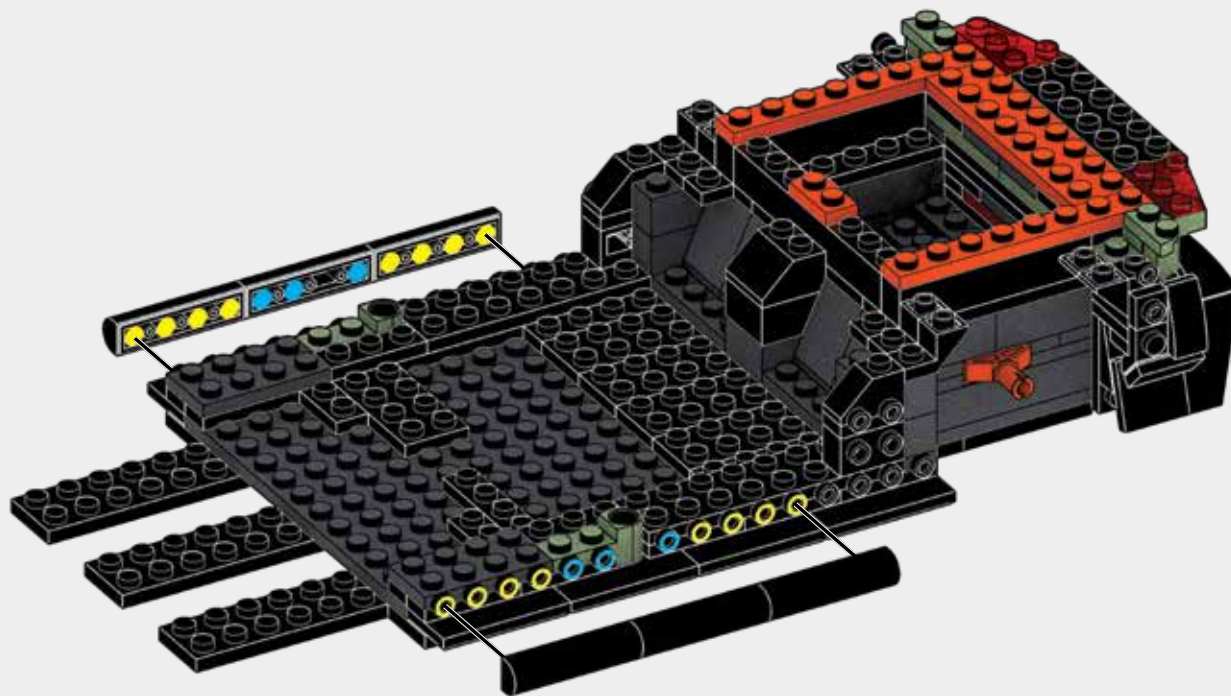
2x



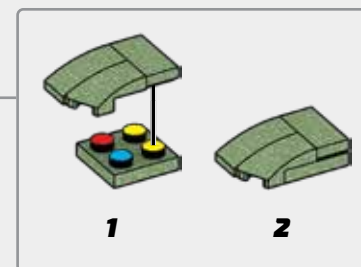
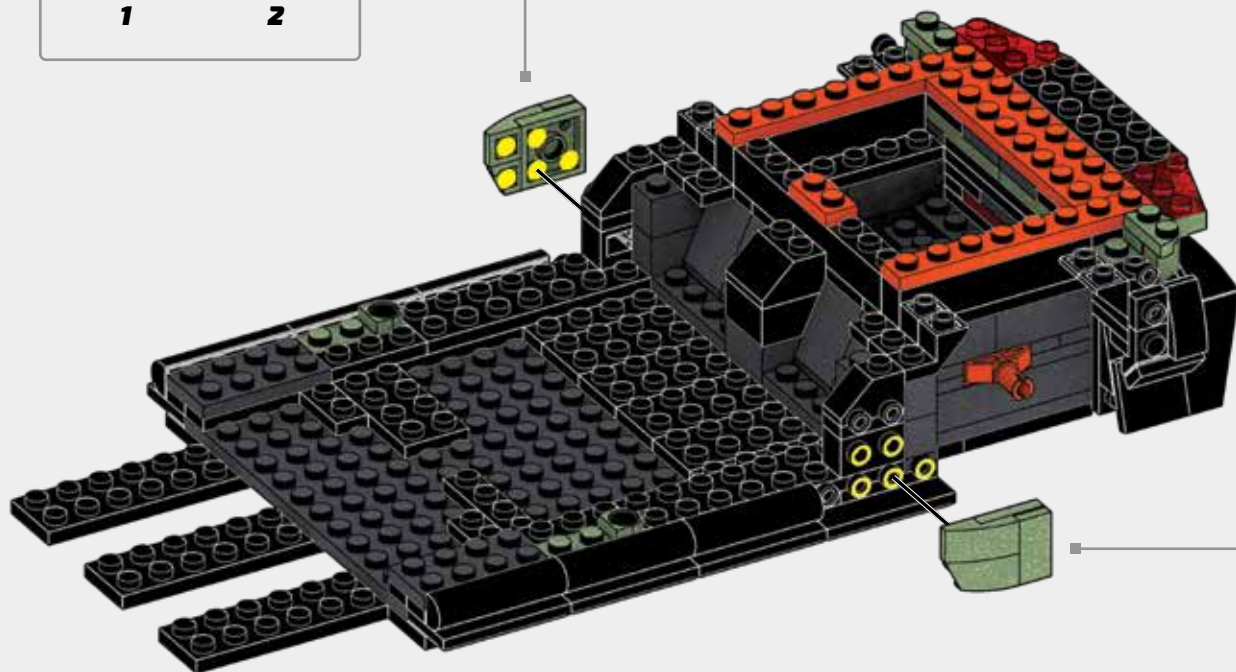
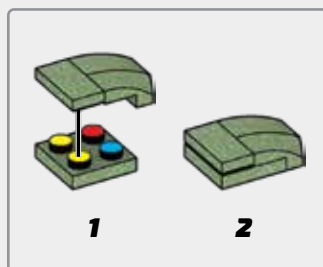
37



6x

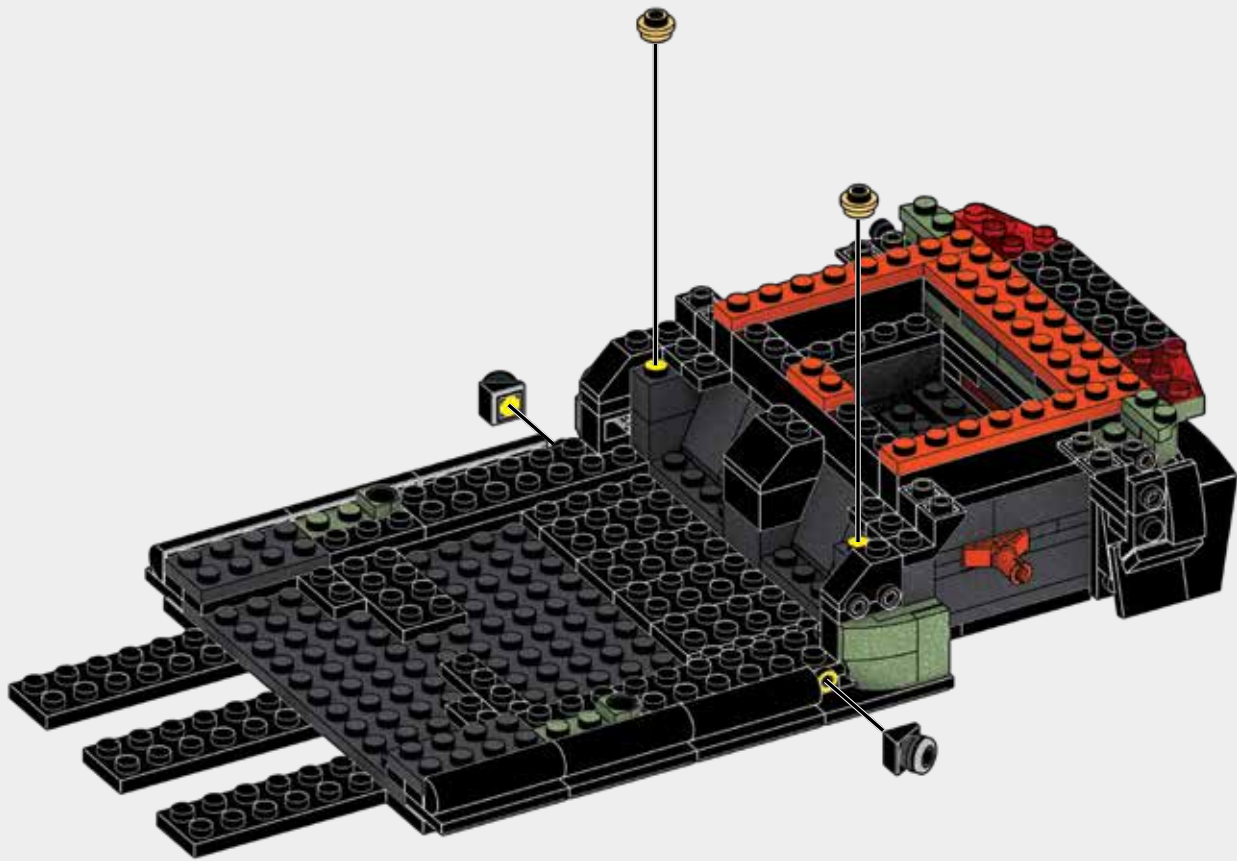


38



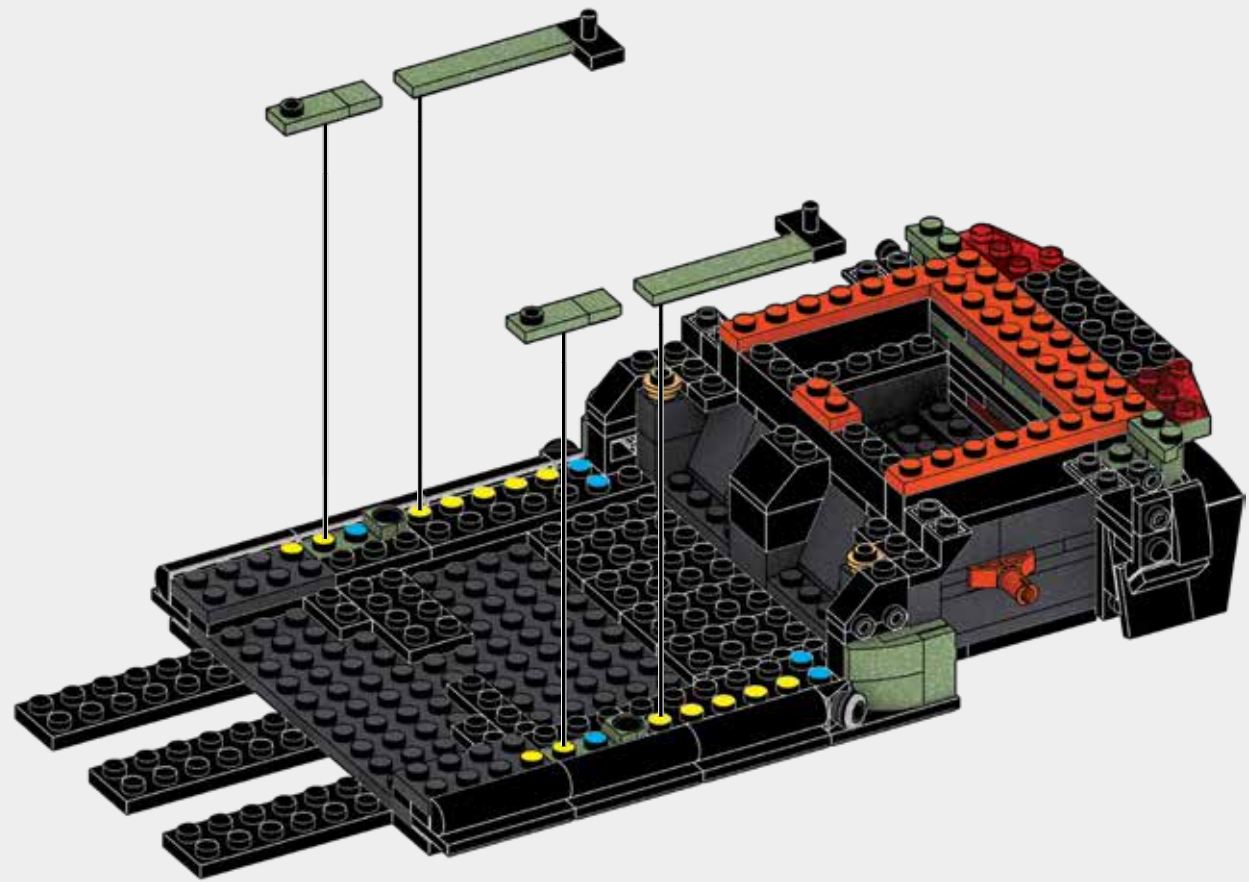
39

- 2x 
- 2x 
- 2x 
- 2x 



40

- 2x 
- 2x 
- 2x 
- 2x 



41



1x



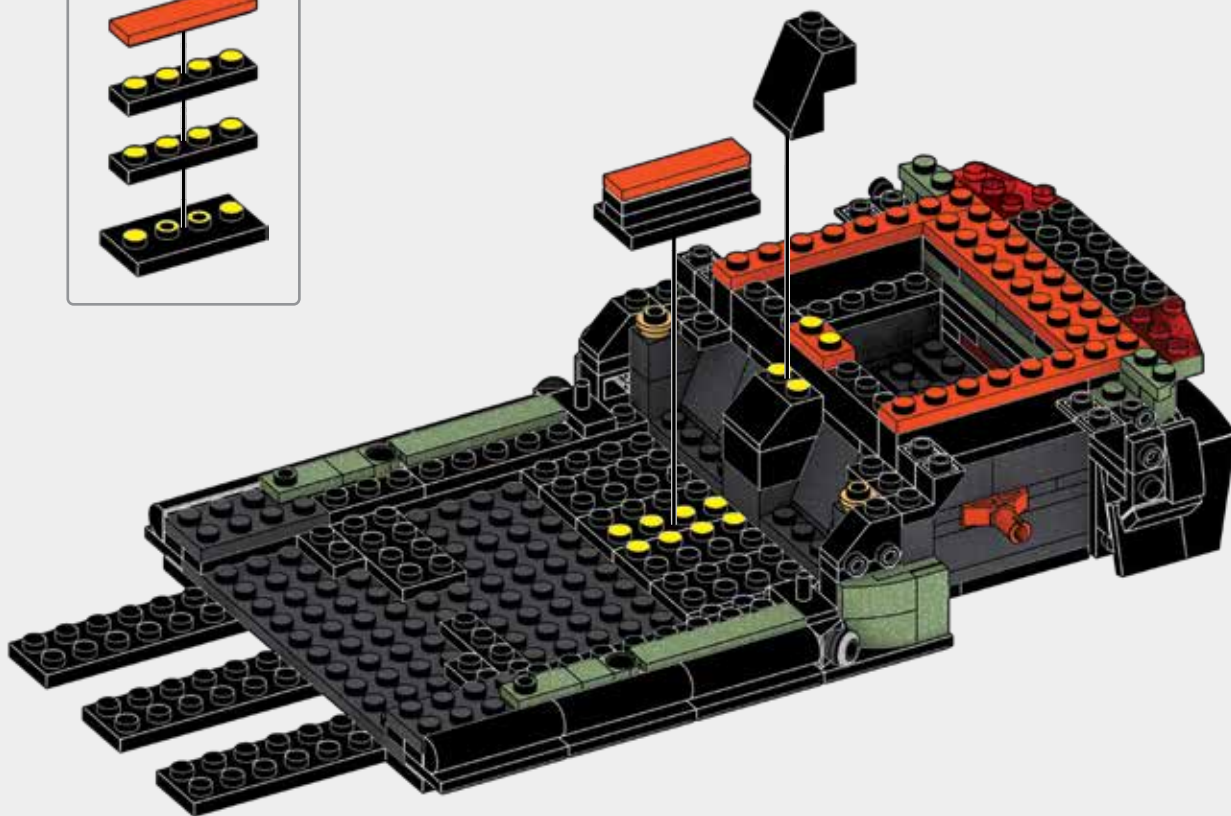
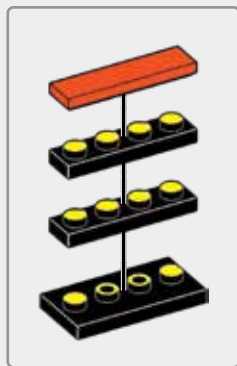
2x



1x



1x



42



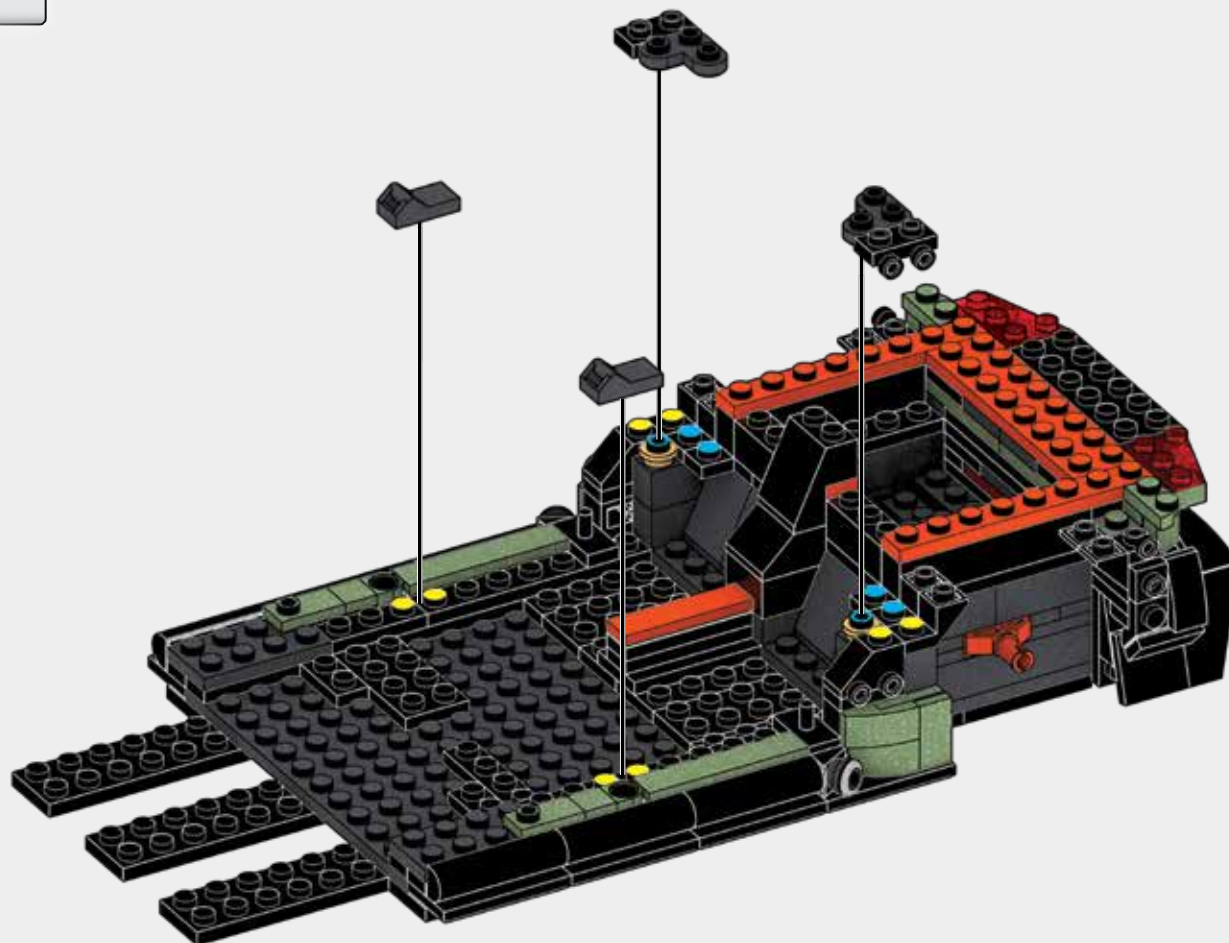
2x



2x



2x



43



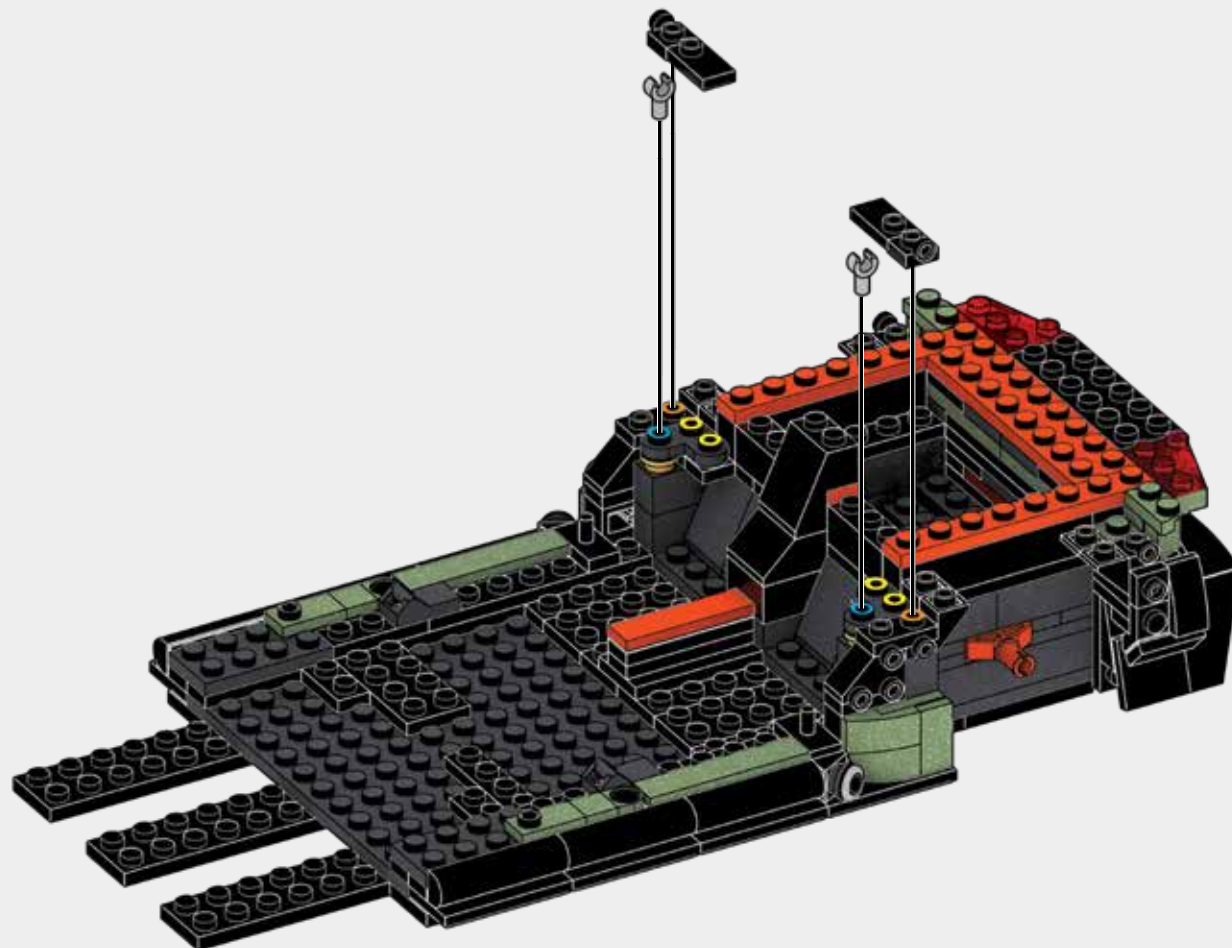
2x



2x



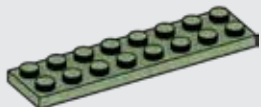
2x



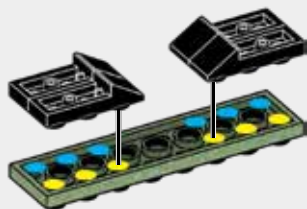
44



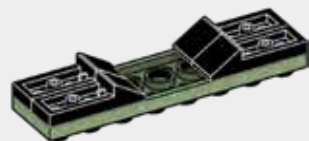
8x



2x

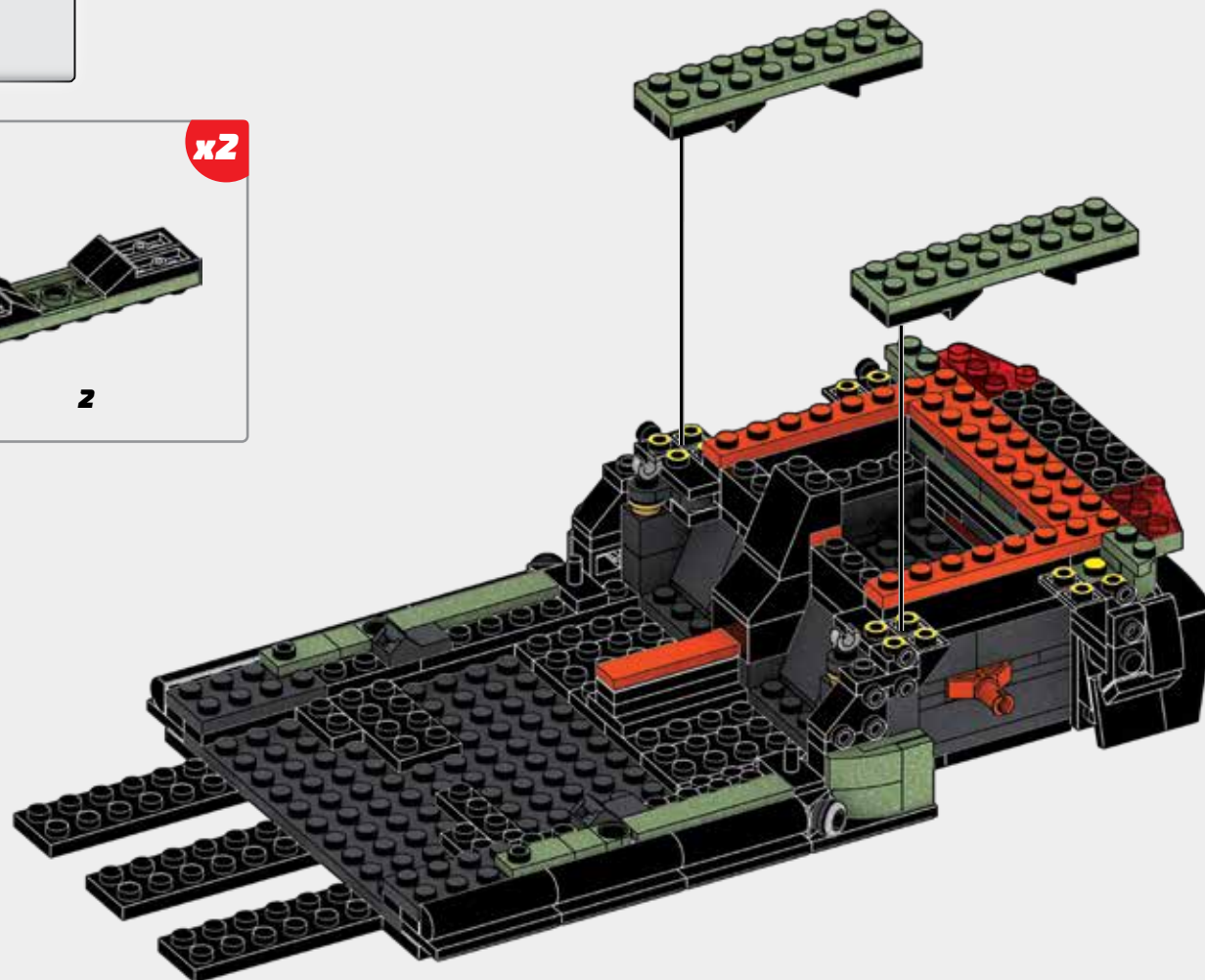


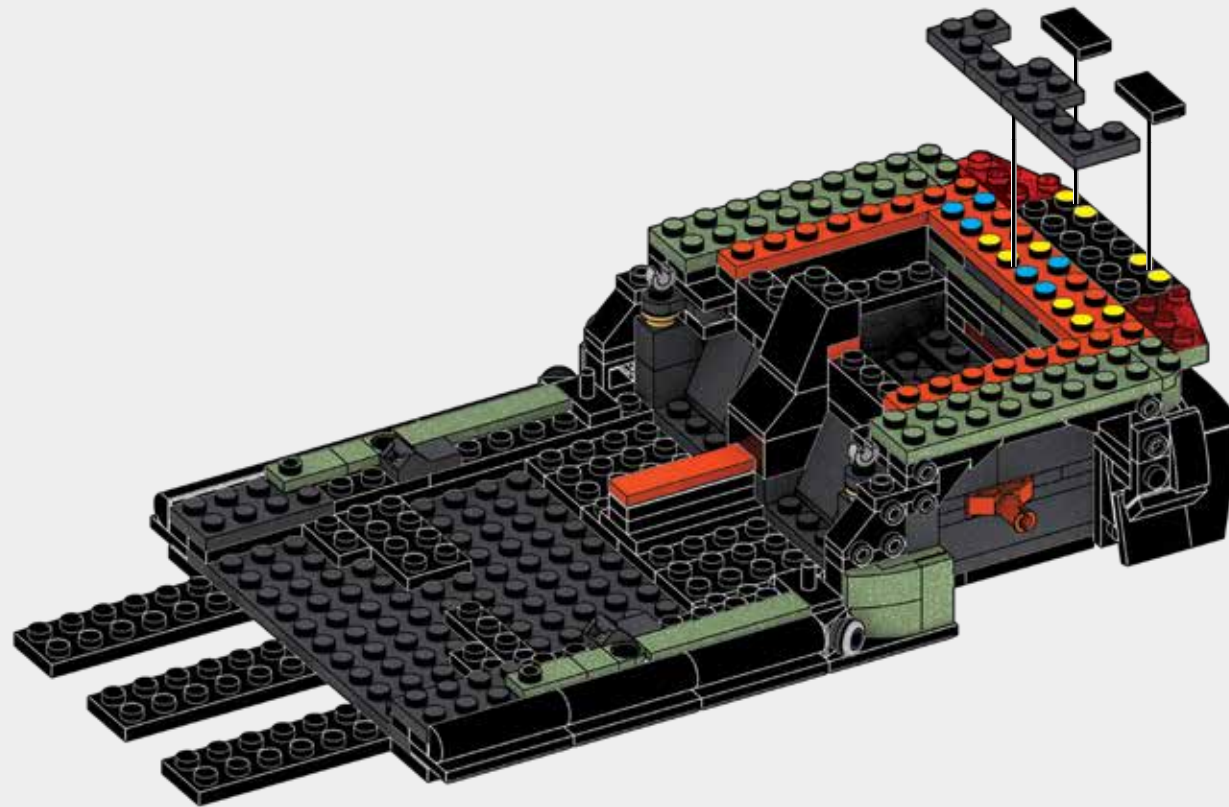
1



2

x2





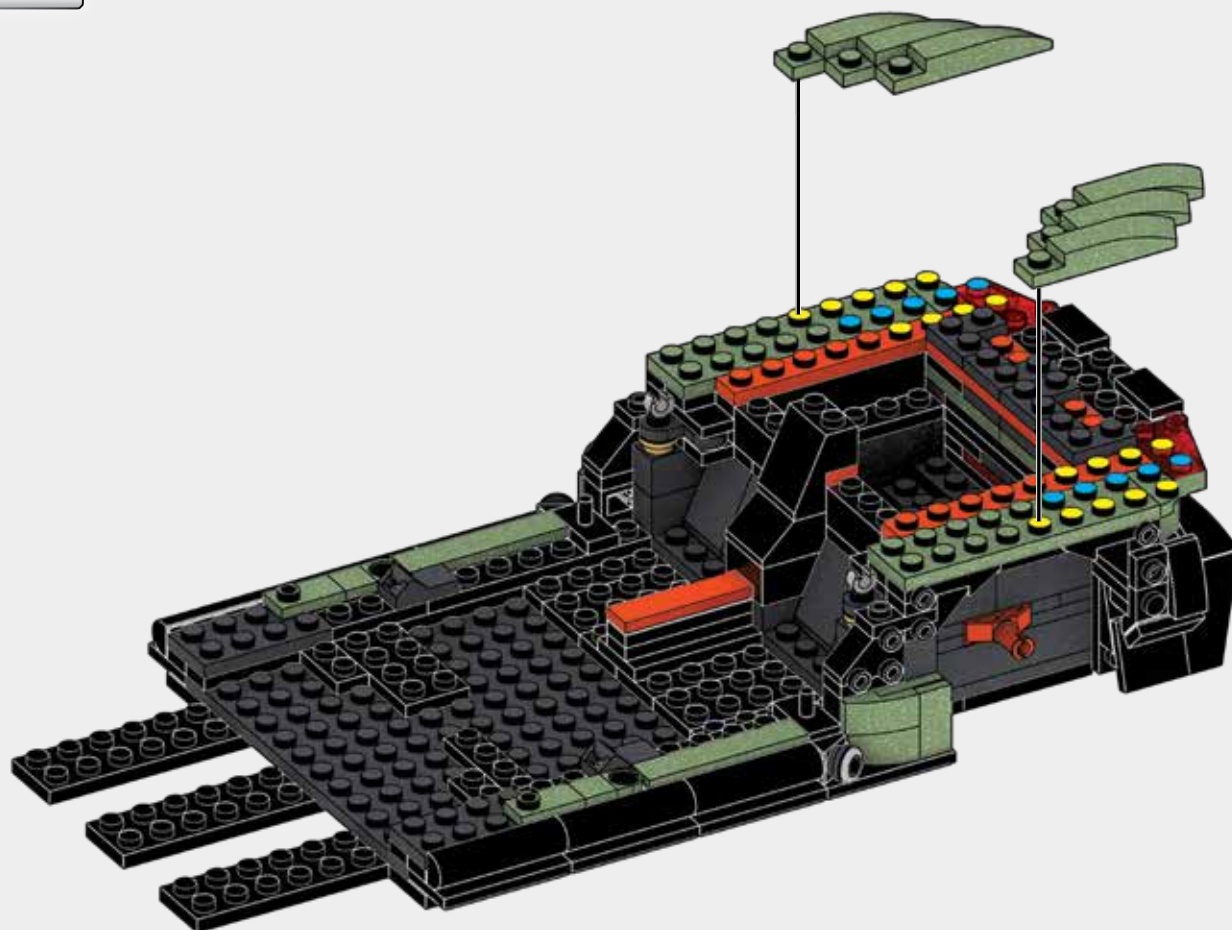
46



3x



3x



47



4x

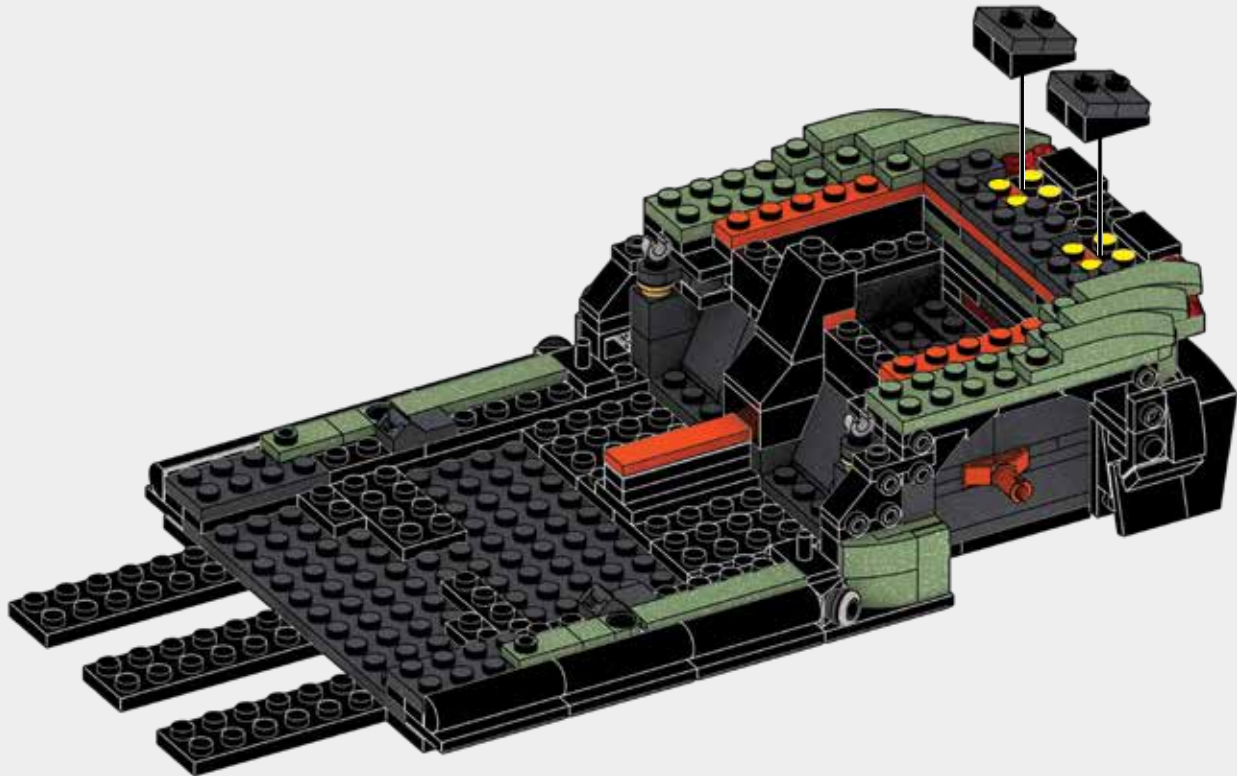
4x



x2

1

2



48



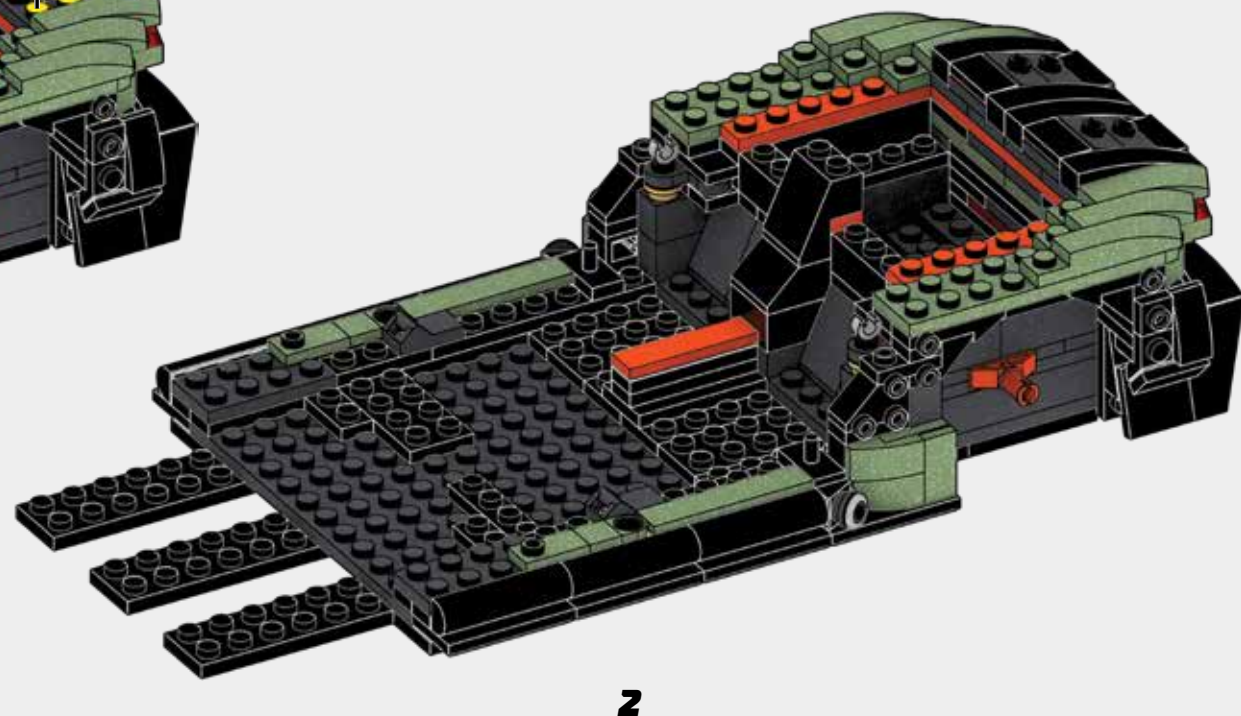
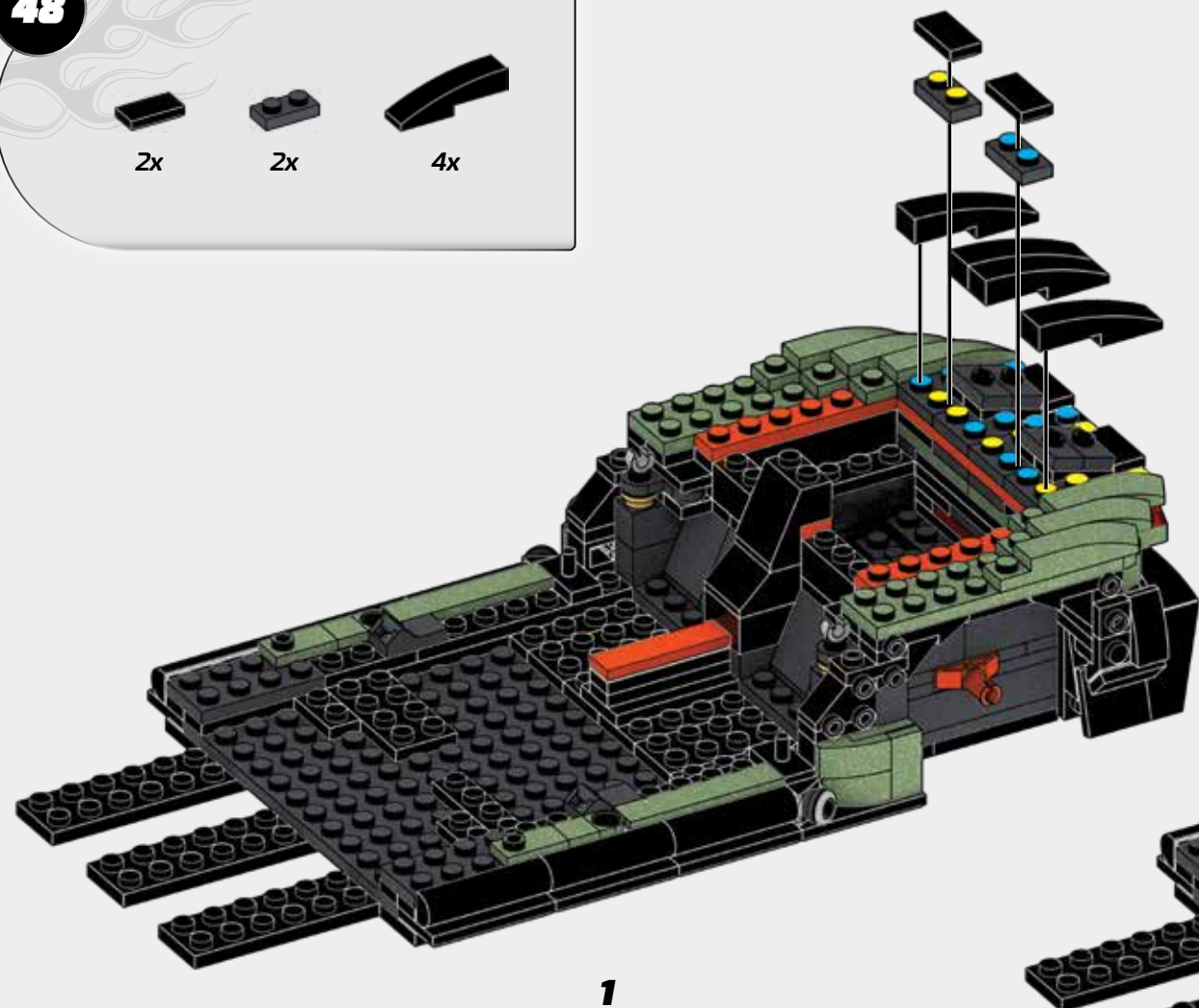
2x

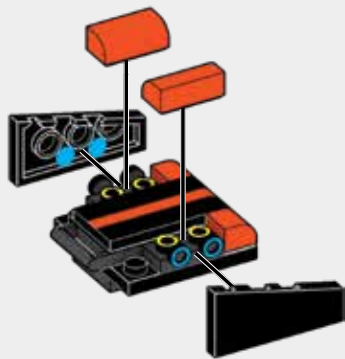
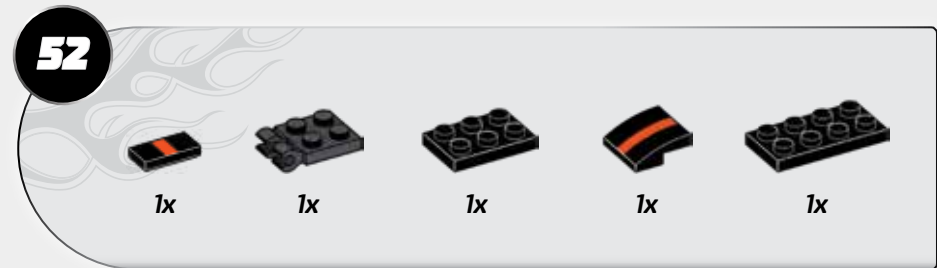
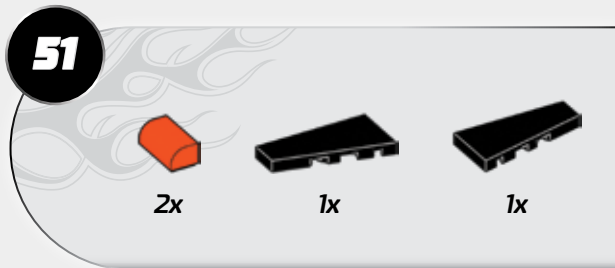
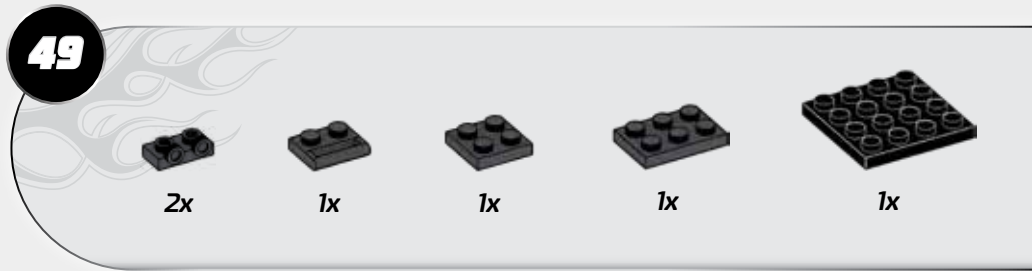


2x



4x





1

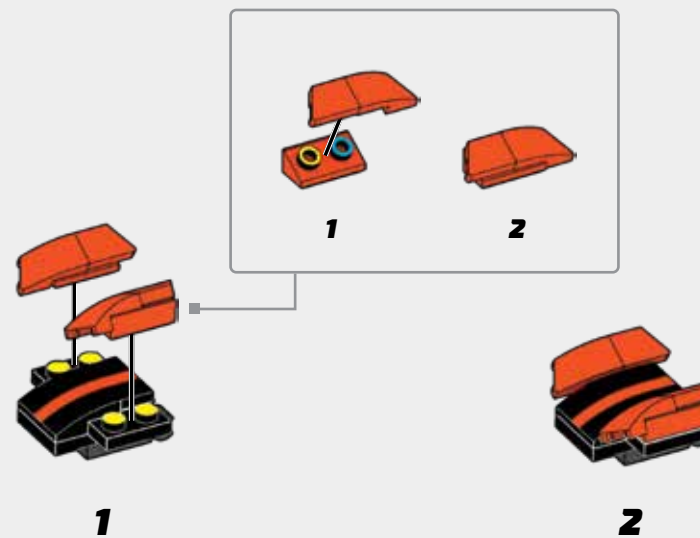
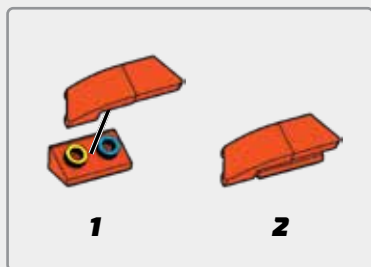
2



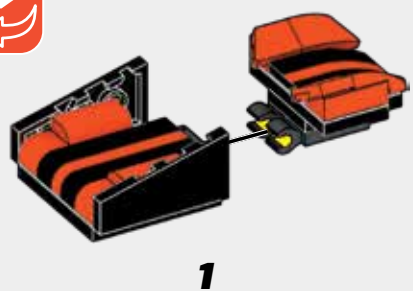
1

2

53



54





56



2x



2x



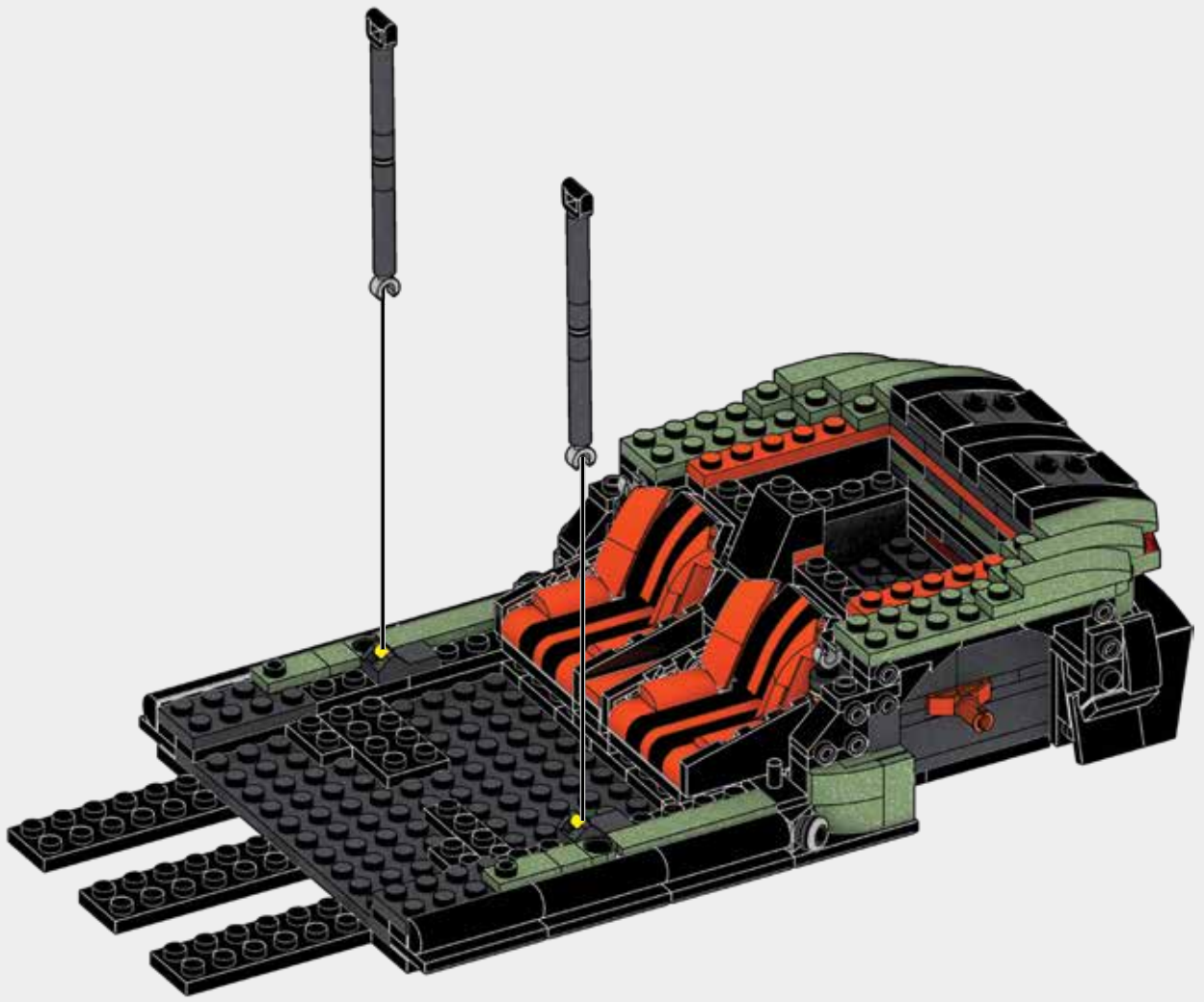
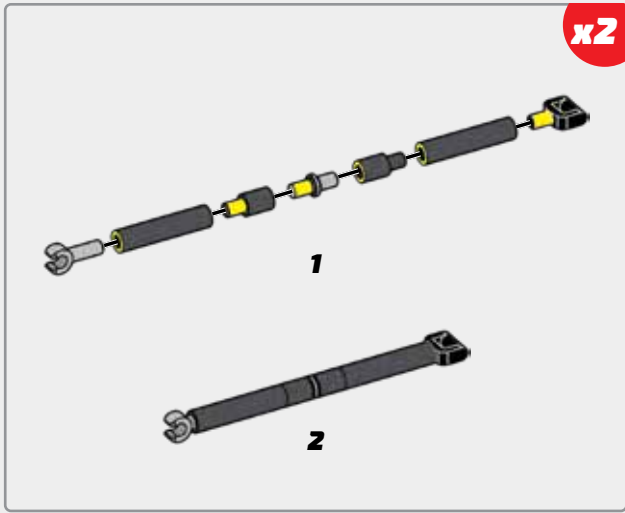
2x



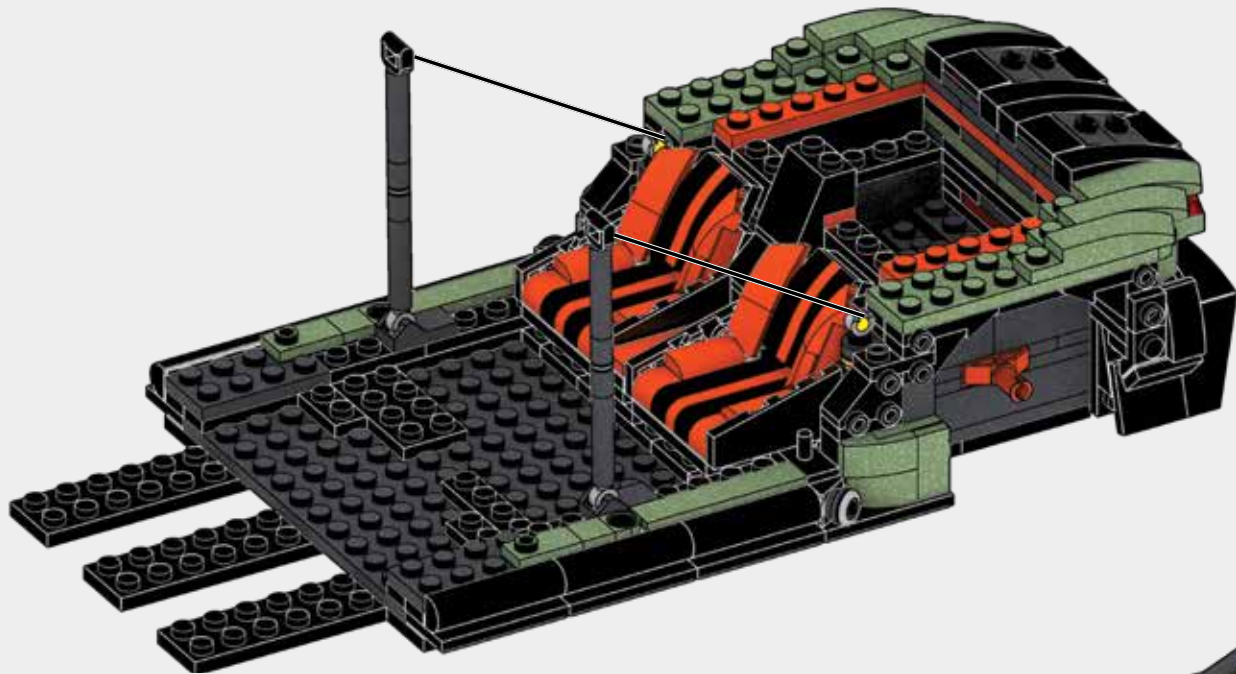
4x



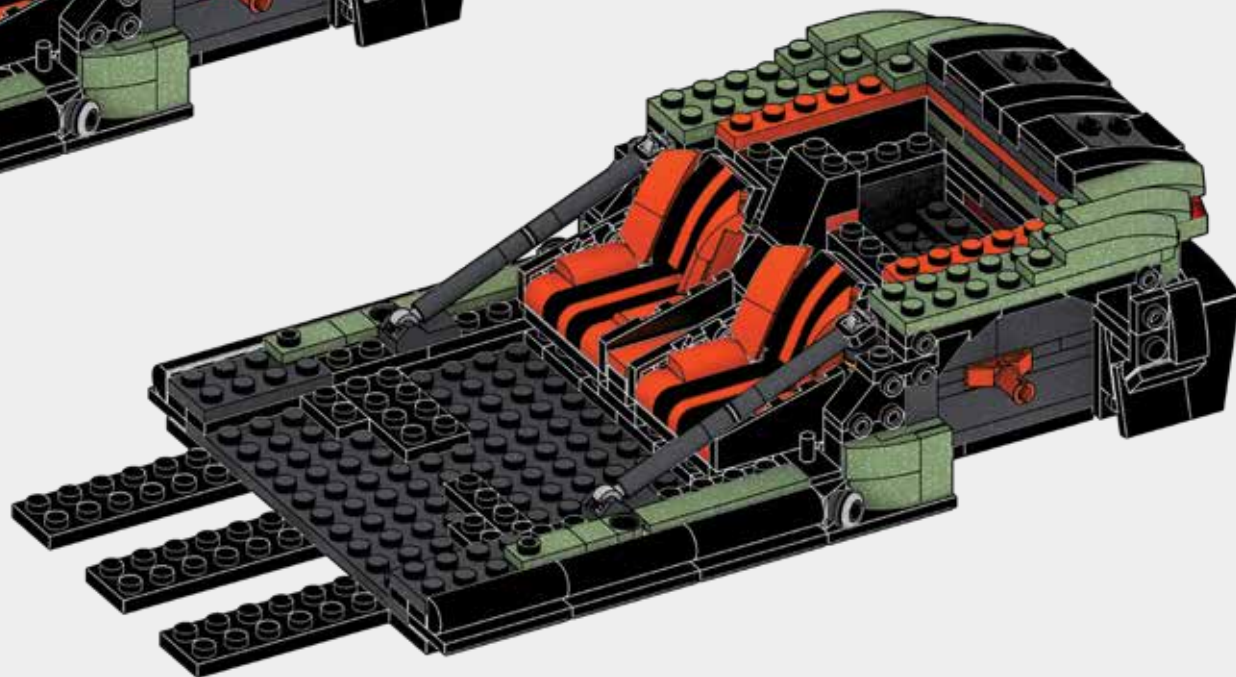
4x



1



2



3

57



1x



1x



2x



2x



2x



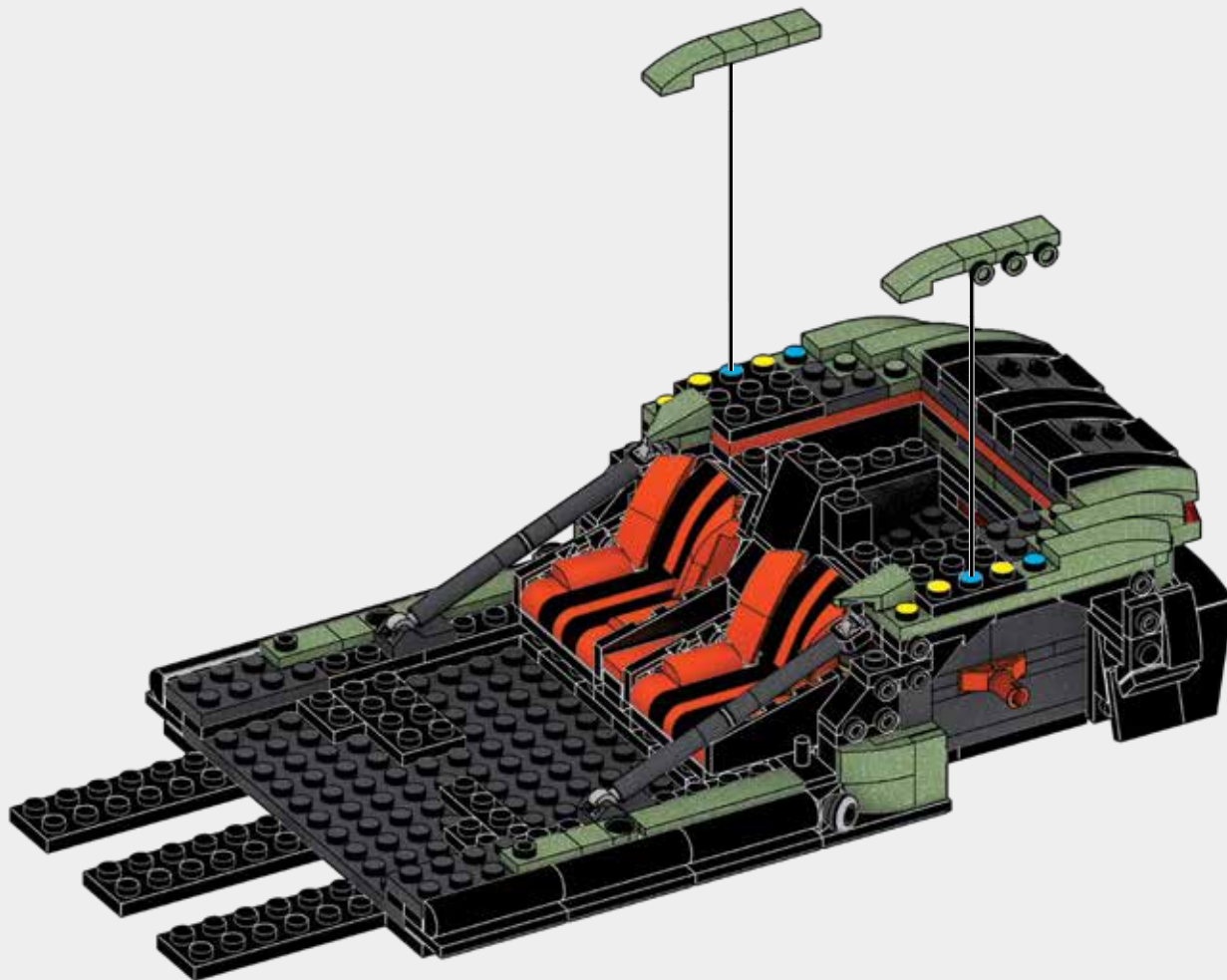
58



6x

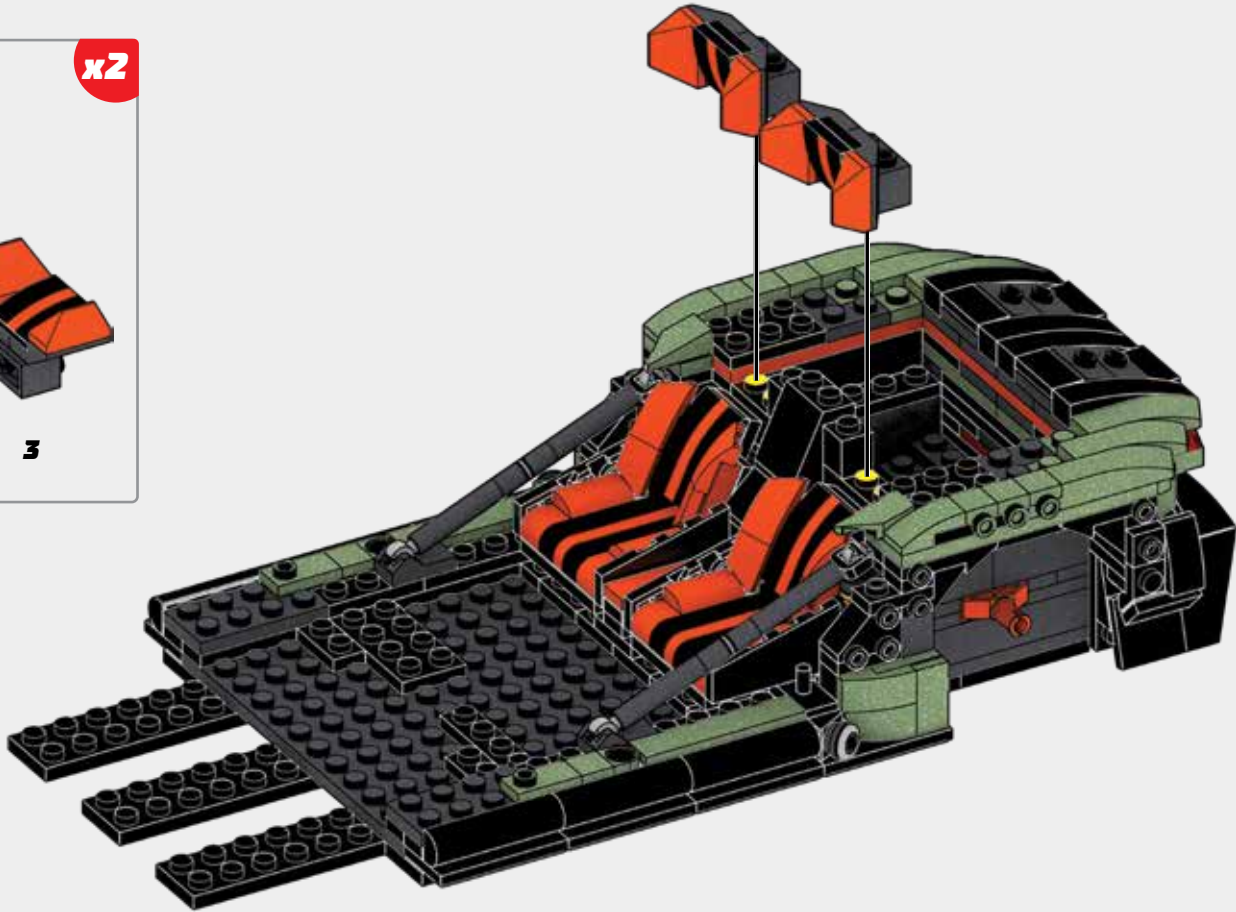
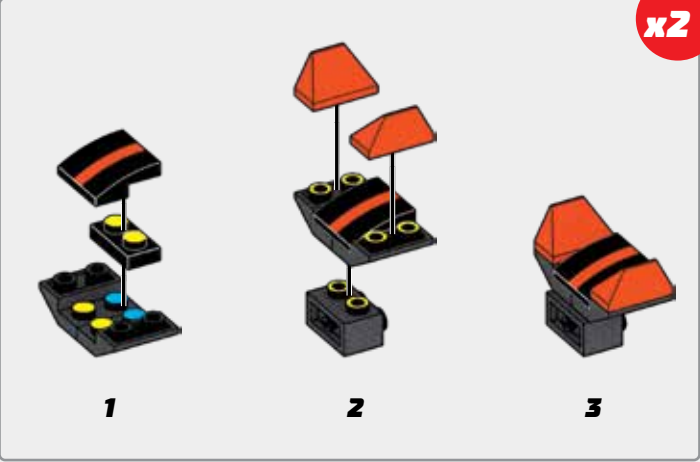


2x

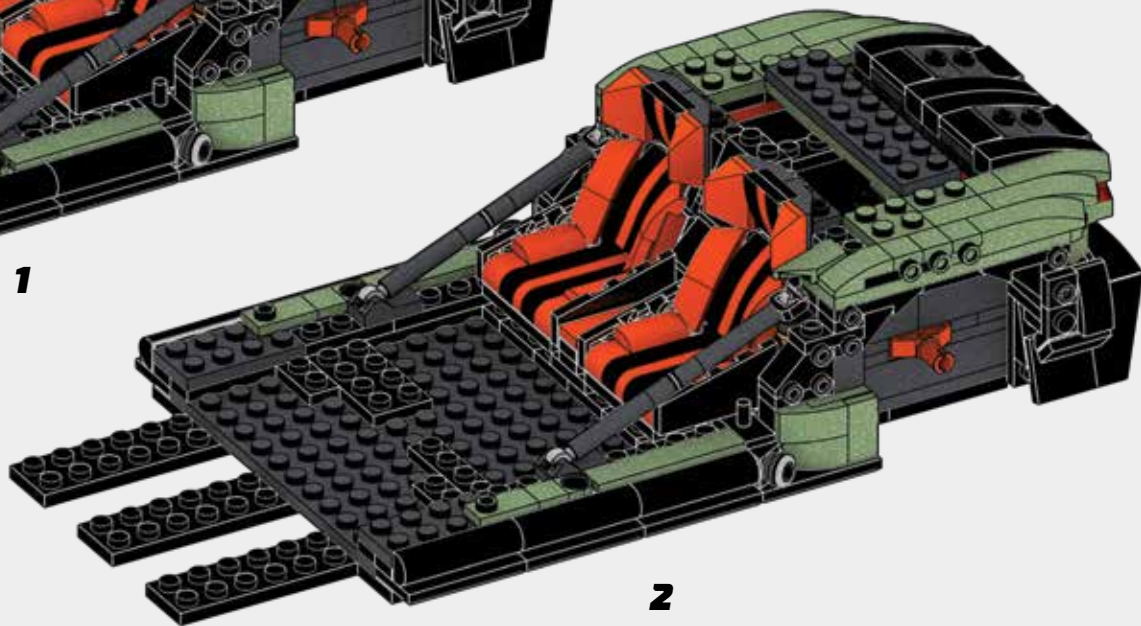
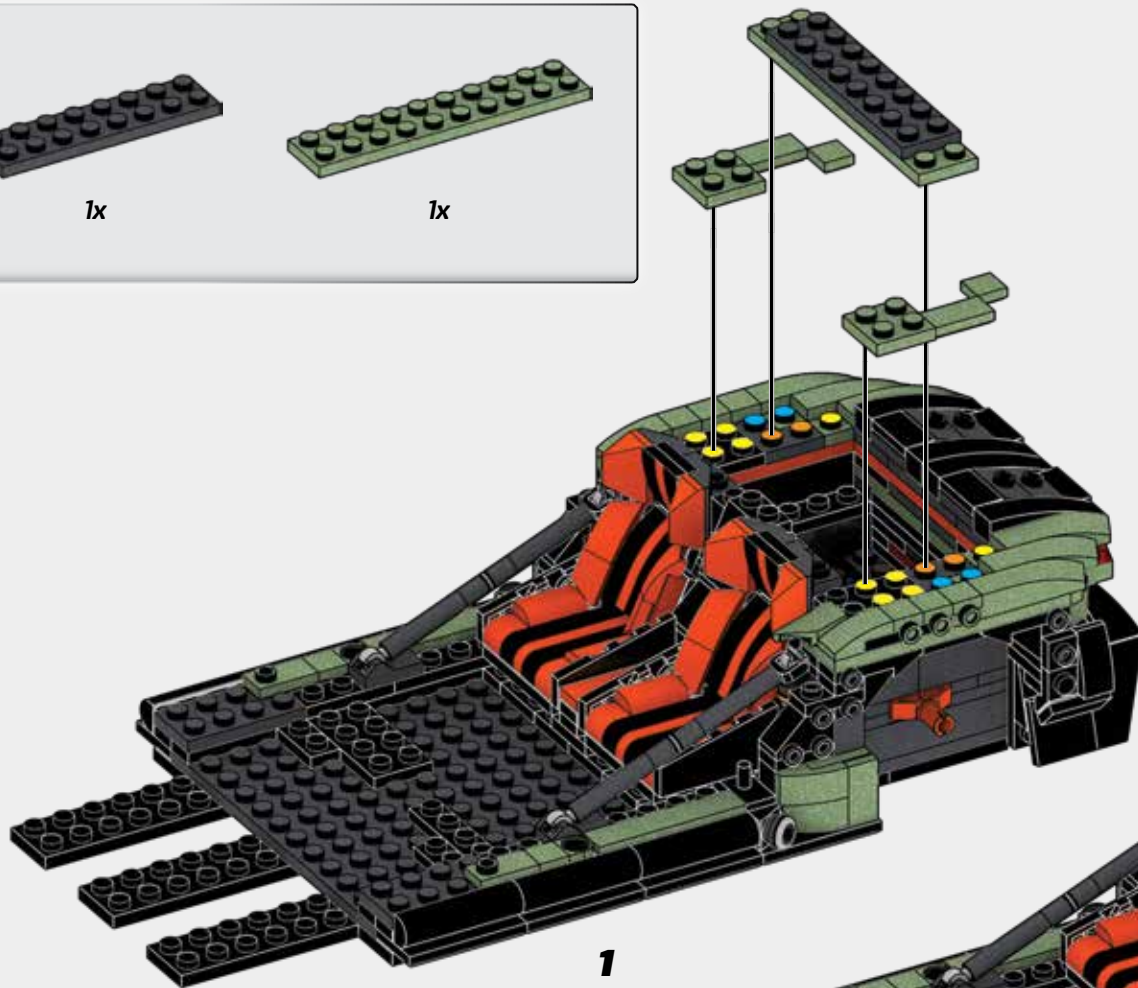
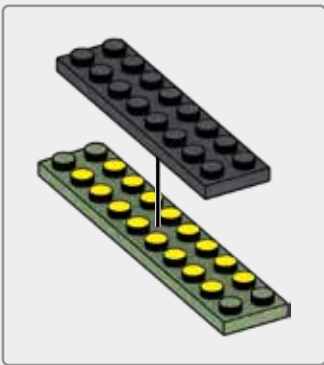
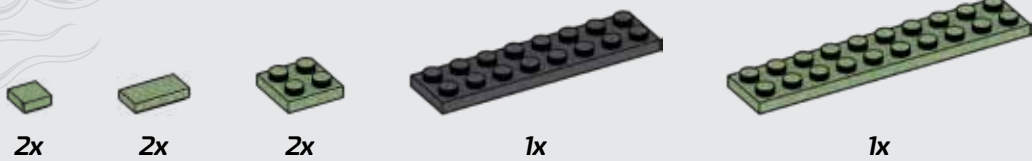


59

- 2x
- 4x
- 2x
- 4x
- 2x



60



61



1x



1x



2x



2x



1



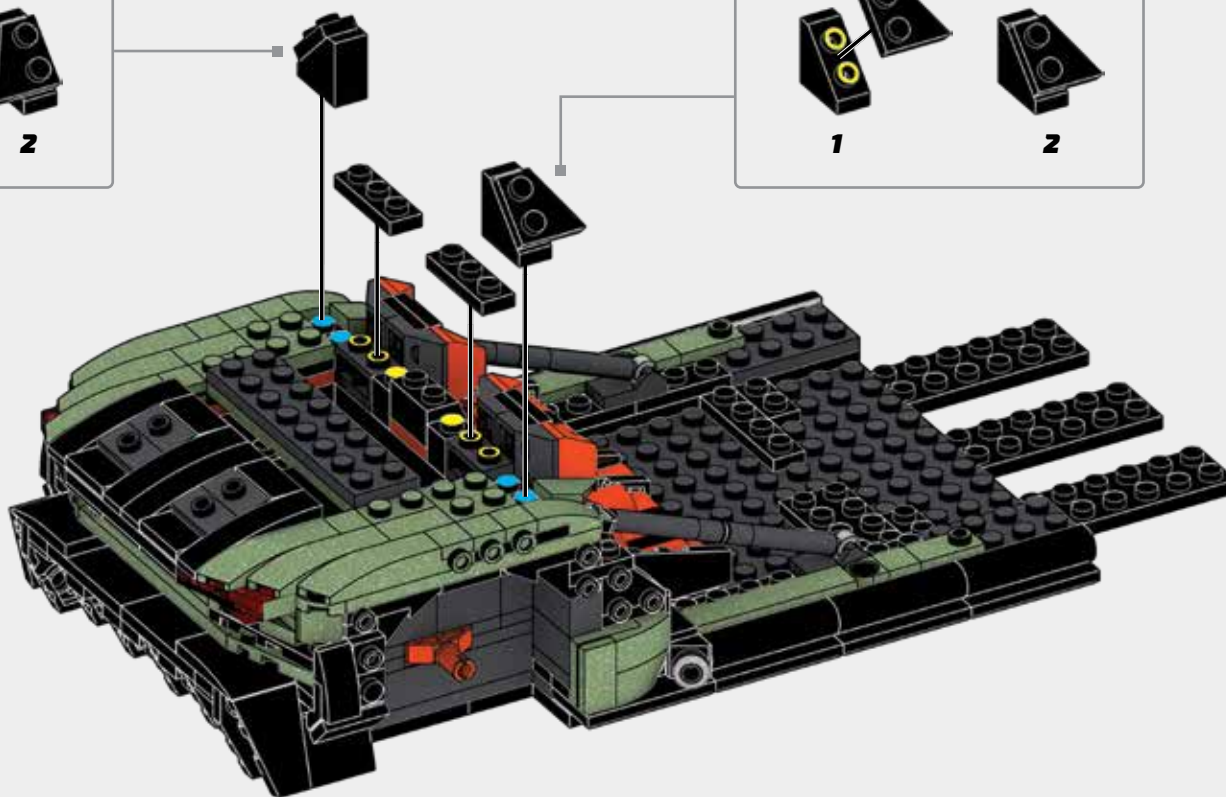
2



1



2



62



2x



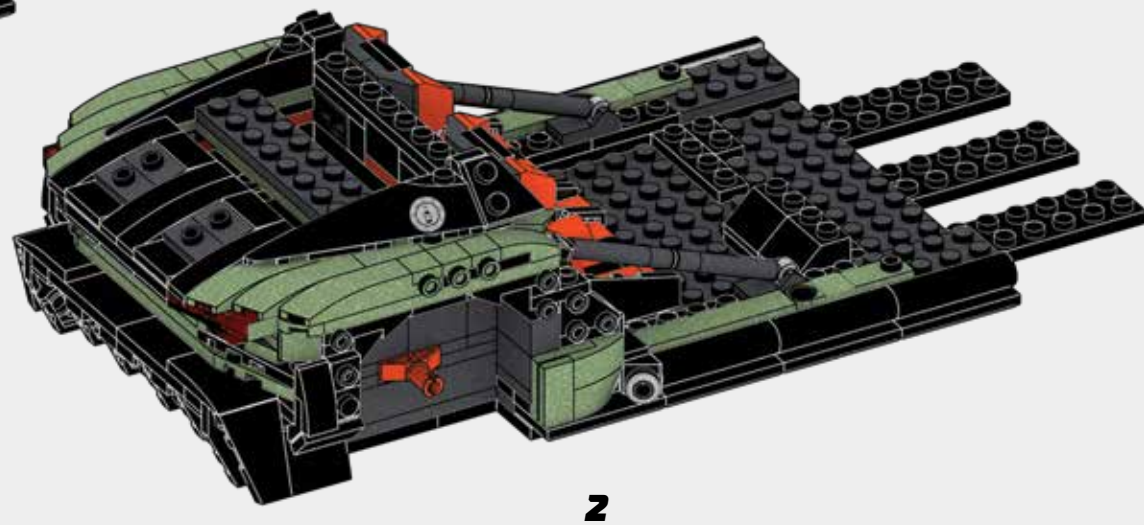
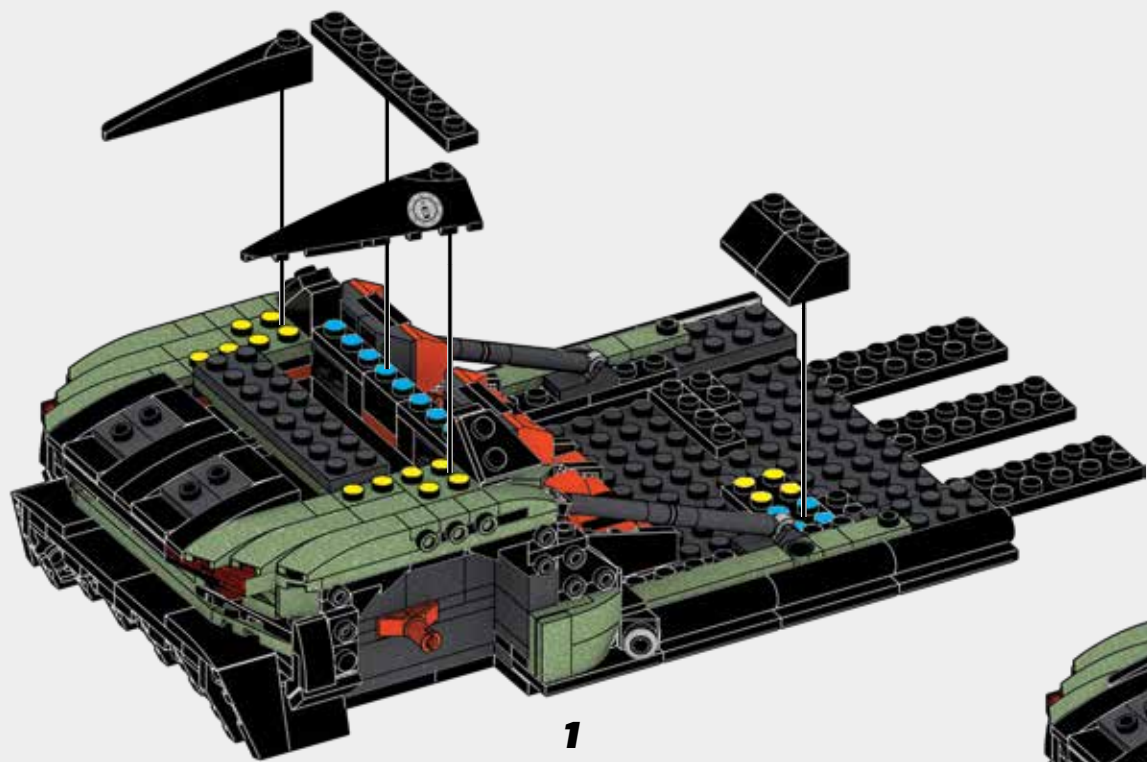
1x

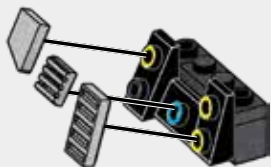
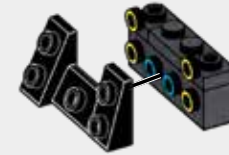
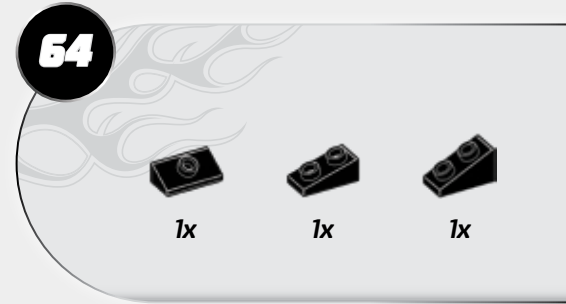
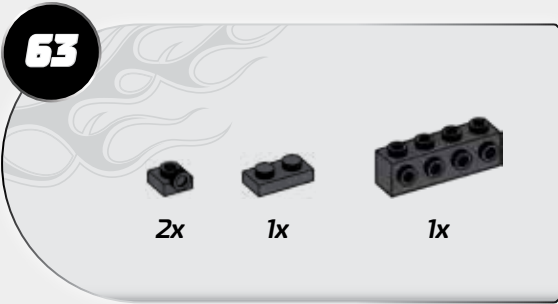


1x

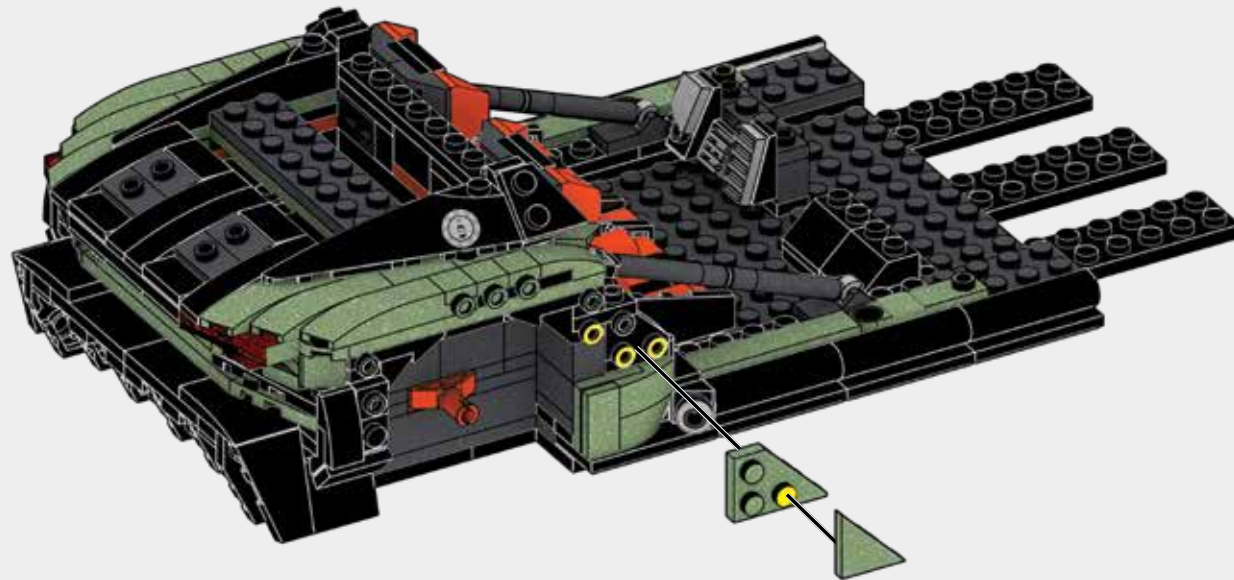


1x

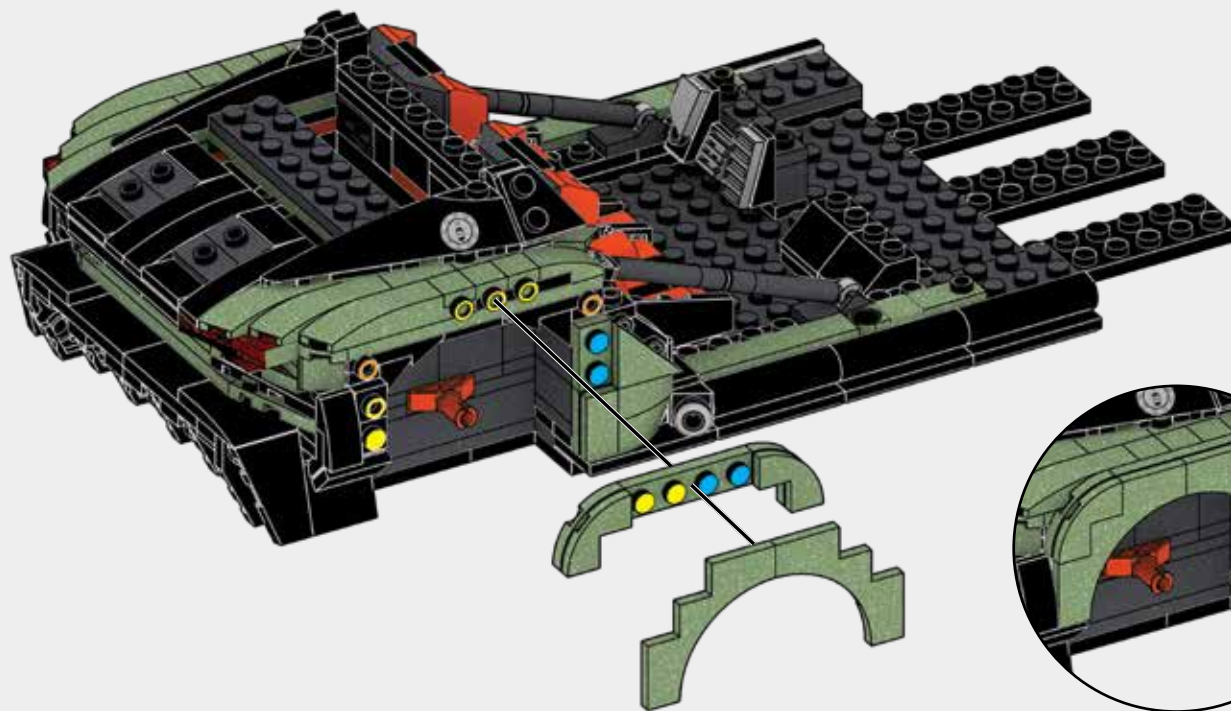
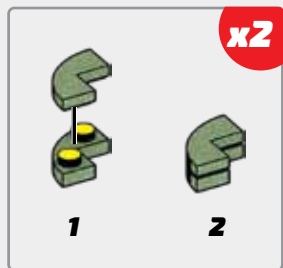
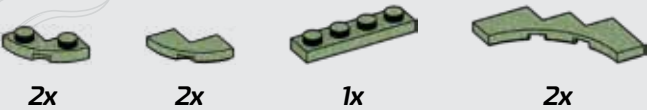




67



68



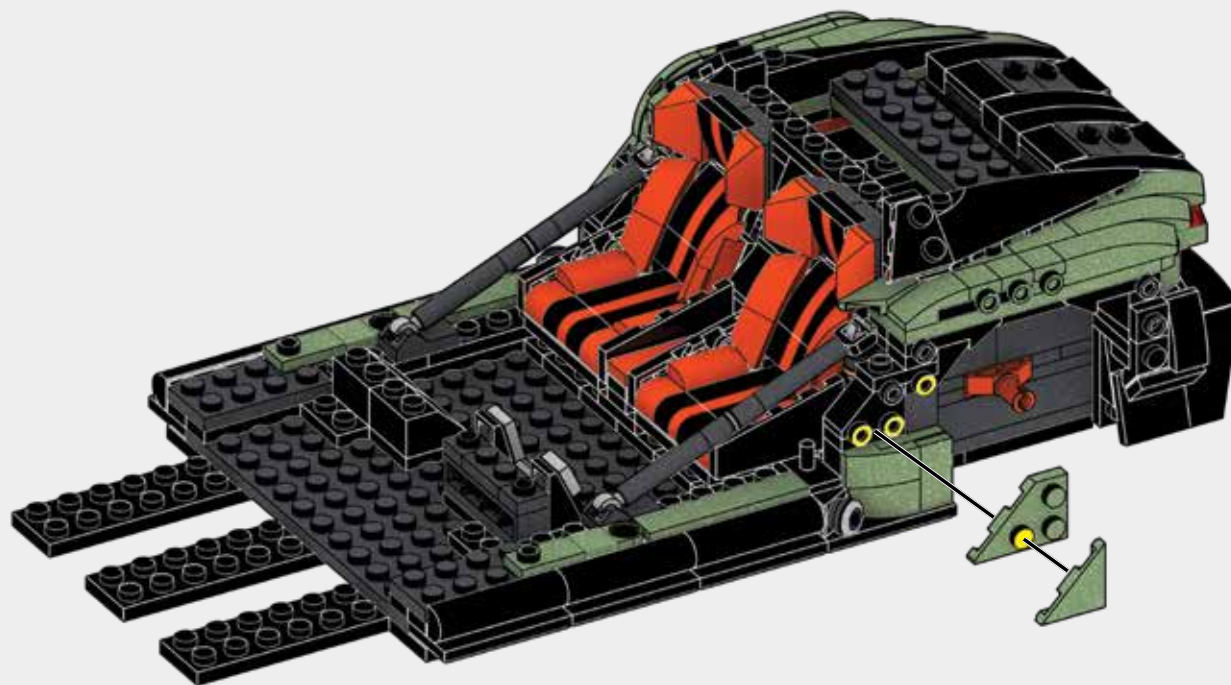
69



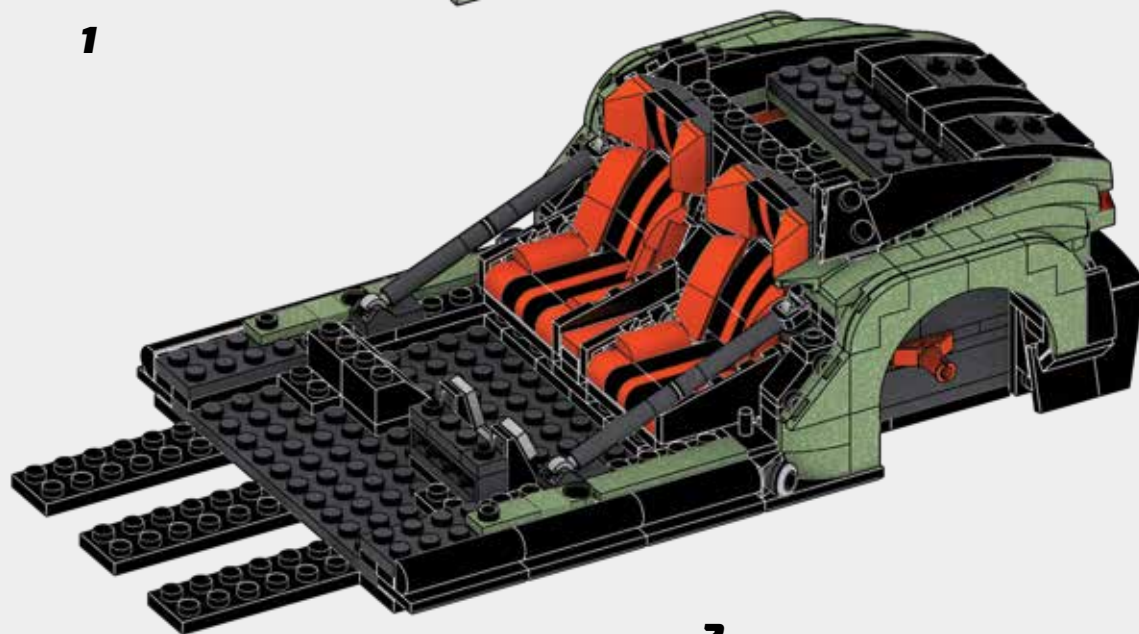
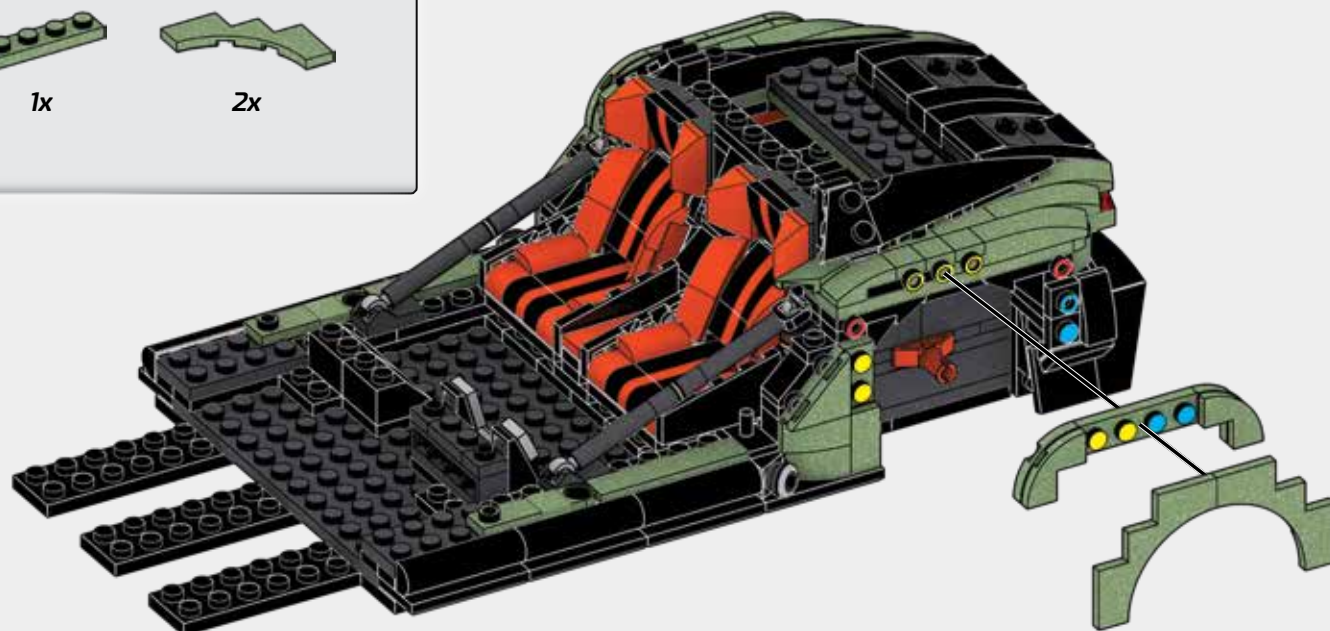
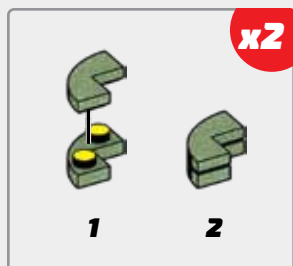
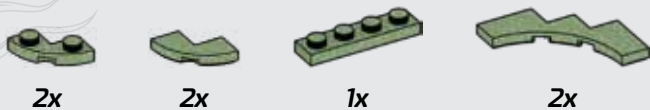
1x



1x



70



71

1x 3x

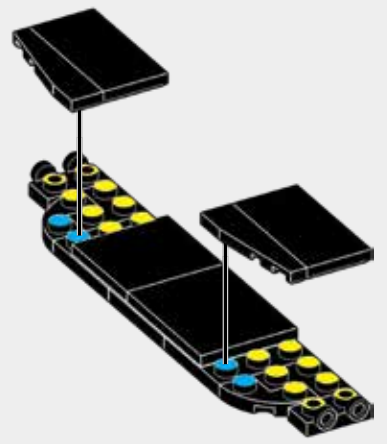
1x



72

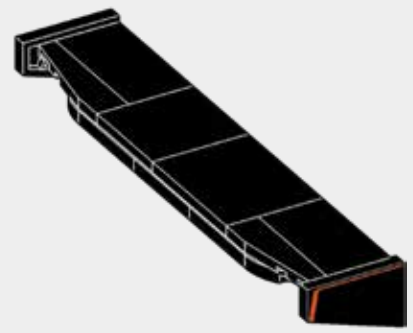
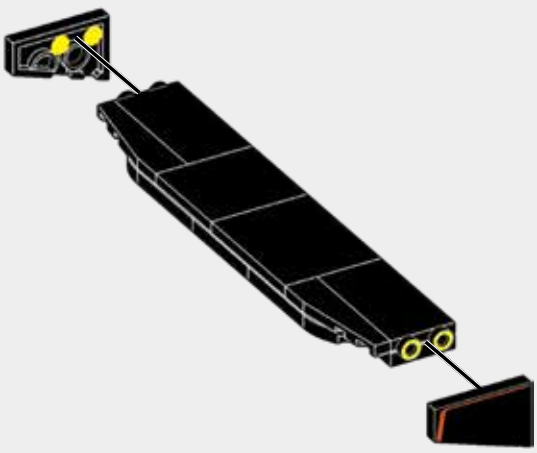
2x 2x 2x

1x 1x 2x



73

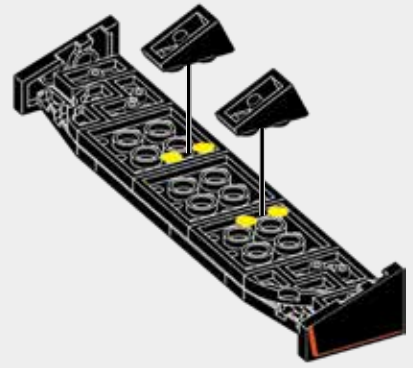
1x 1x



74

2x

X ✓



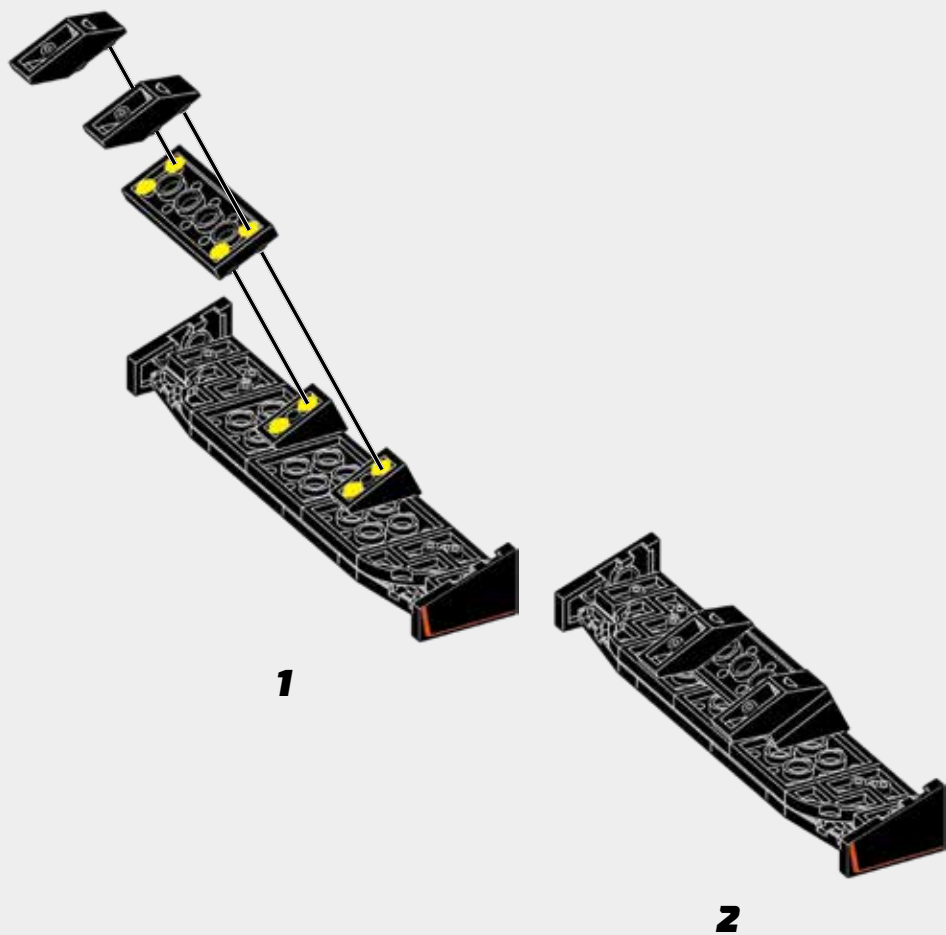
75



2x



1x



76





2x



1x



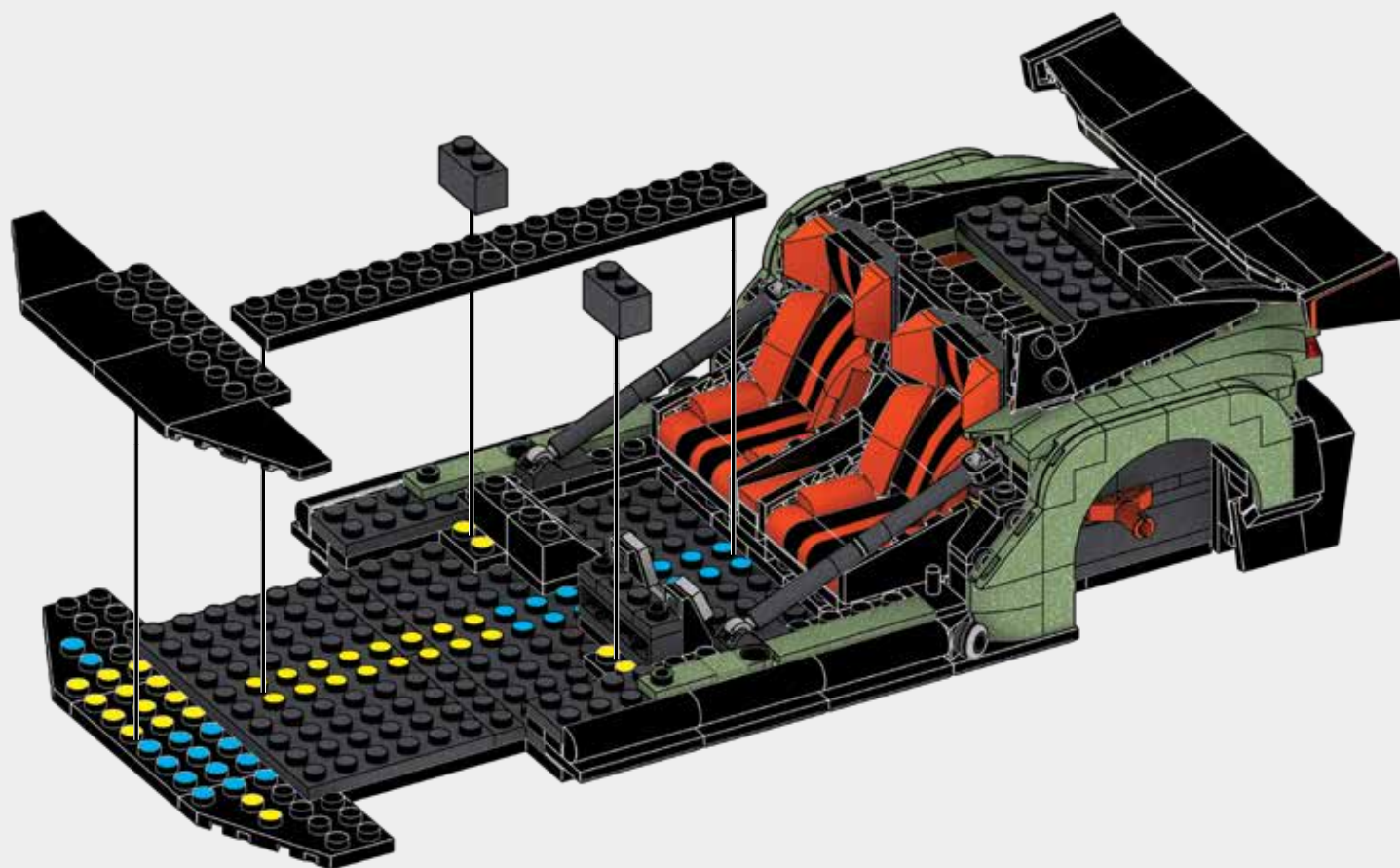
1x



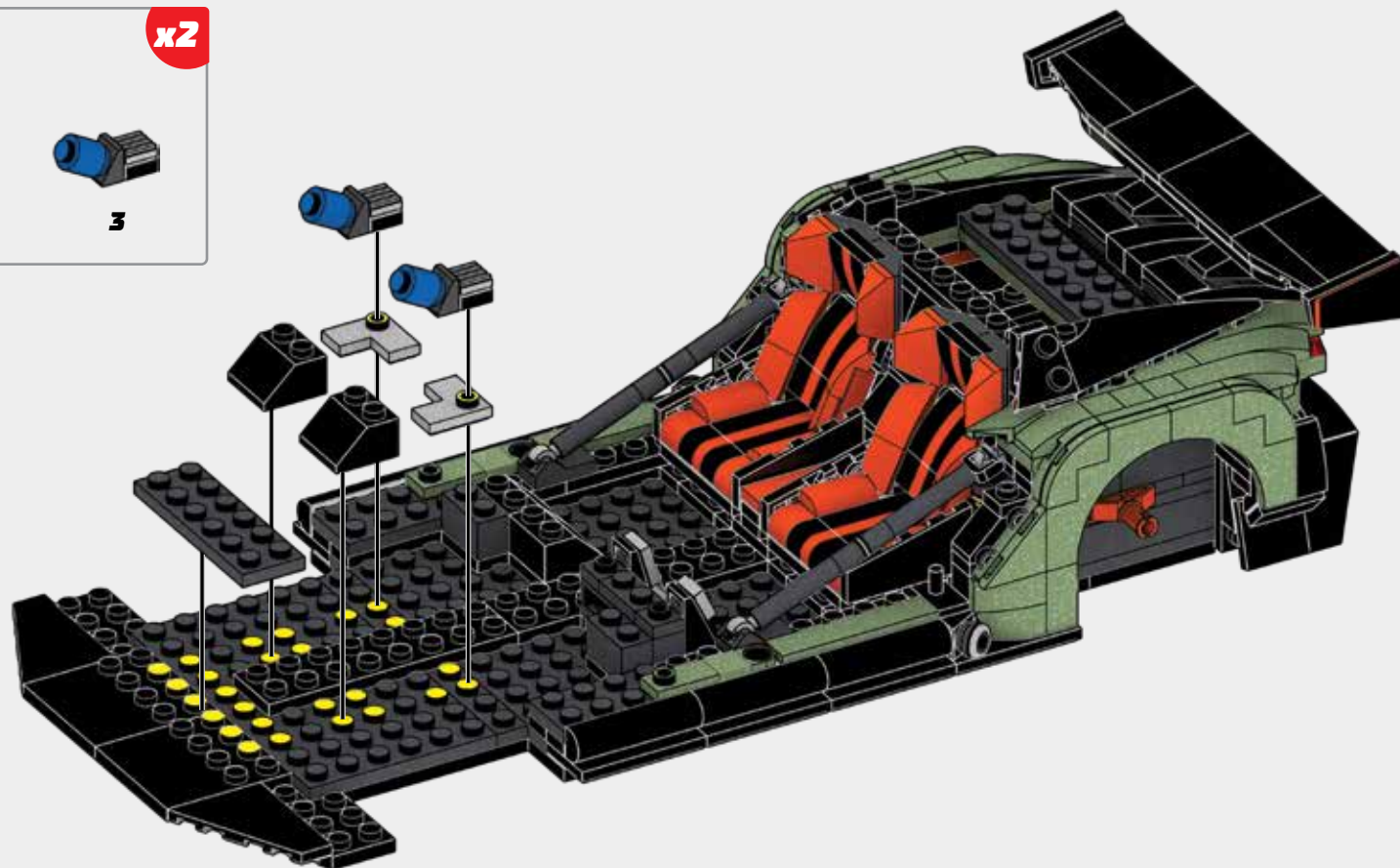
2x



2x



79



80



4x



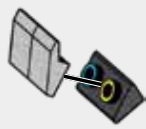
2x



4x



2x



1

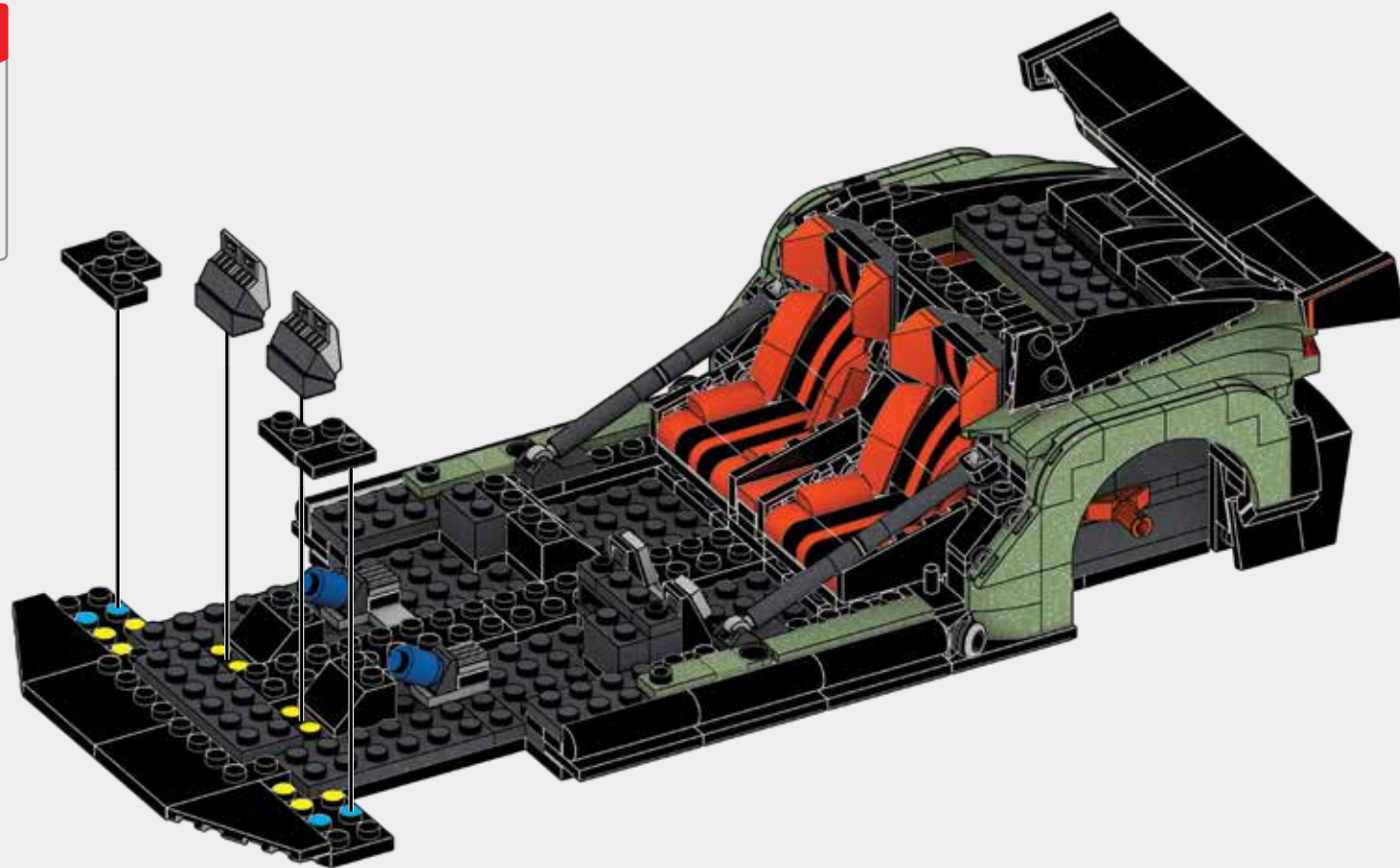


2



3

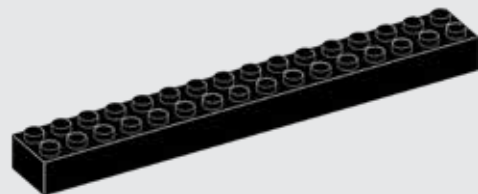
x2



81

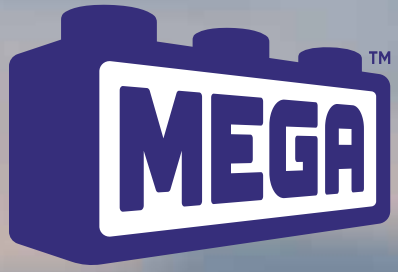


2x



1x







ASTON MARTIN VULCAN



2x



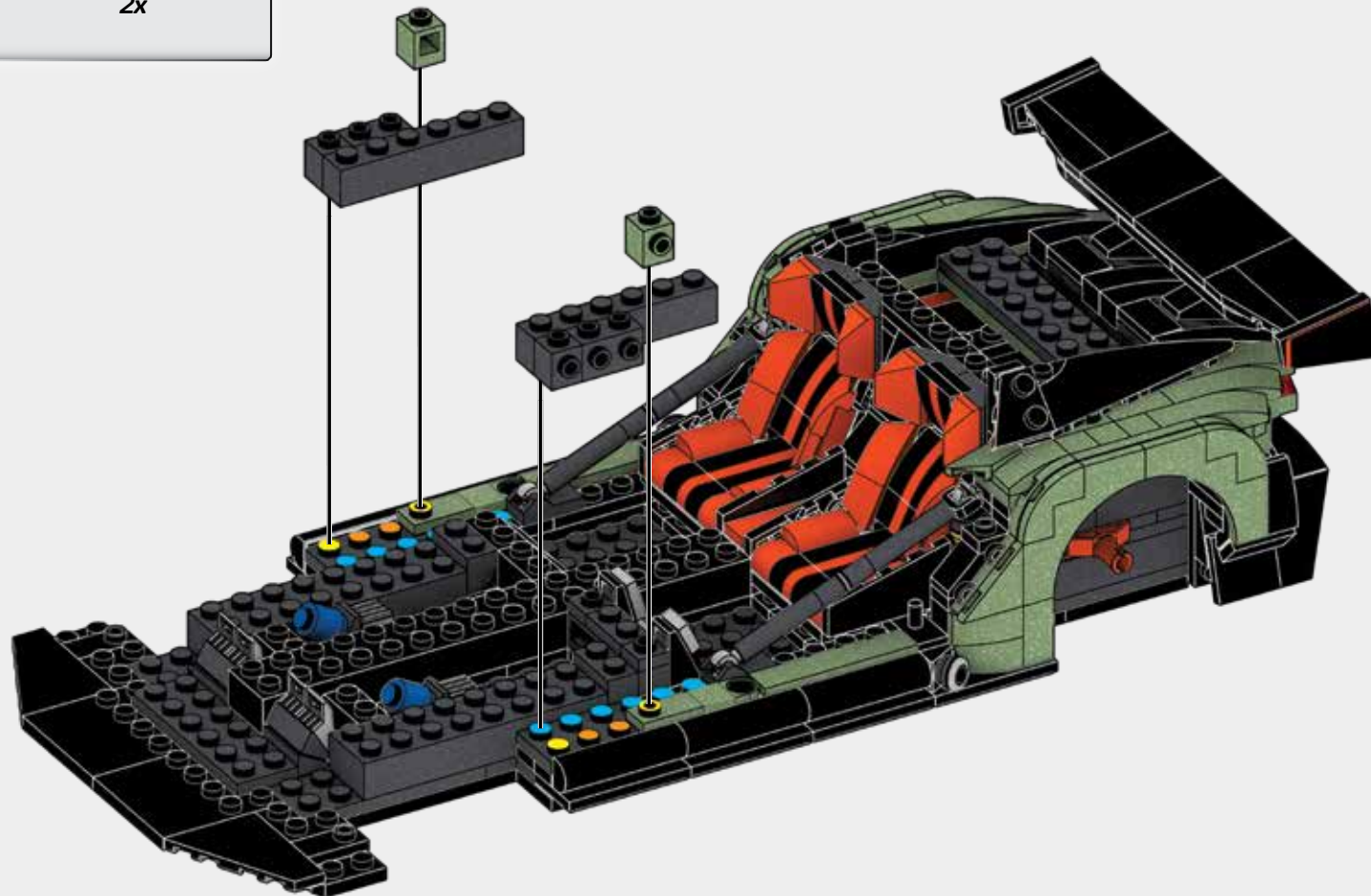
2x



2x



2x



83



2x



2x



2x

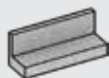




1x



2x



2x

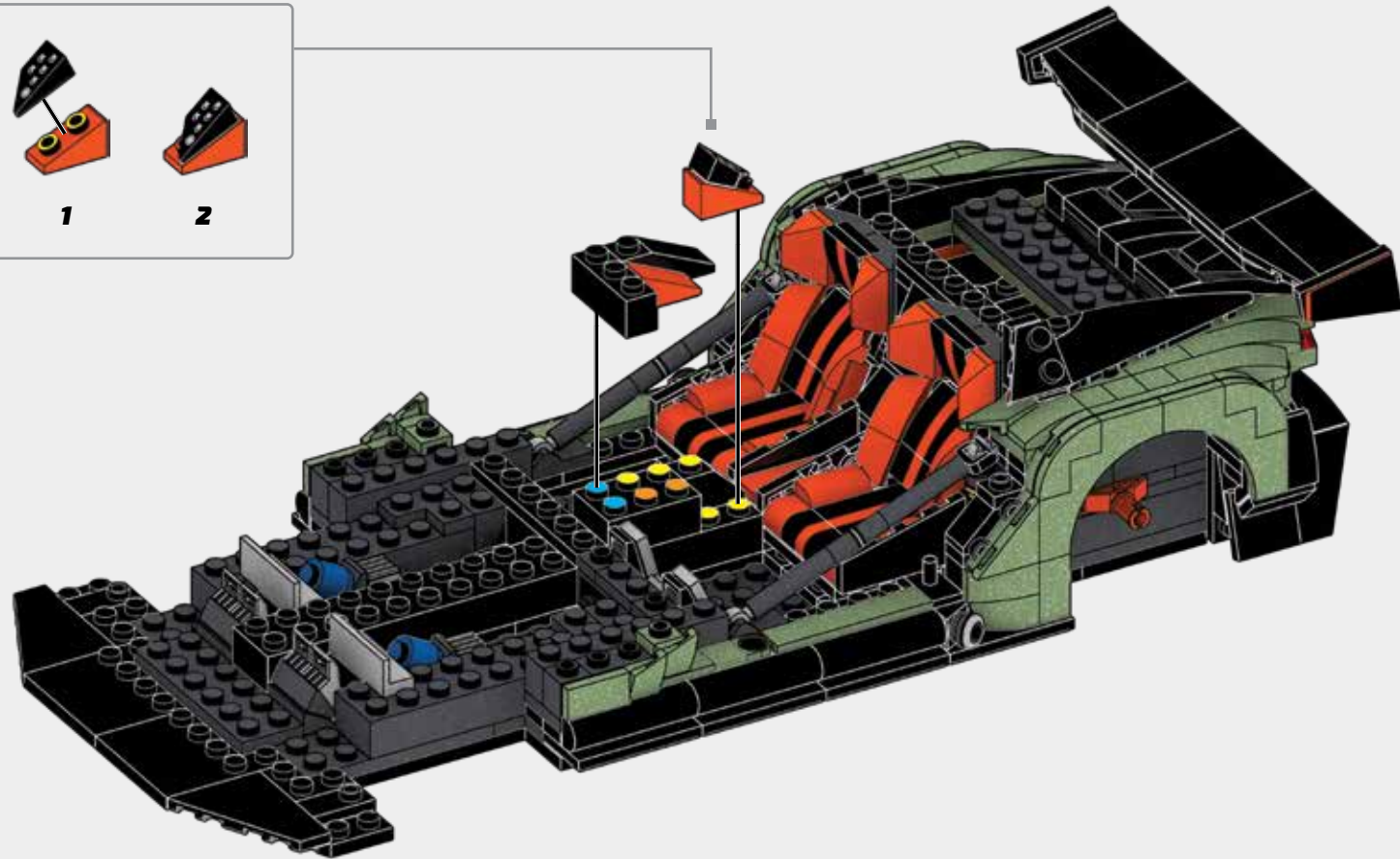
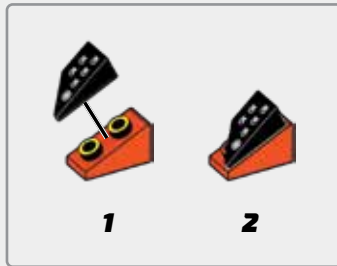
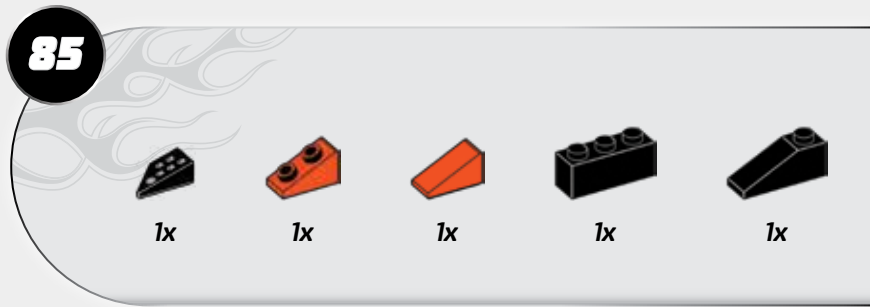


1x



1x





86



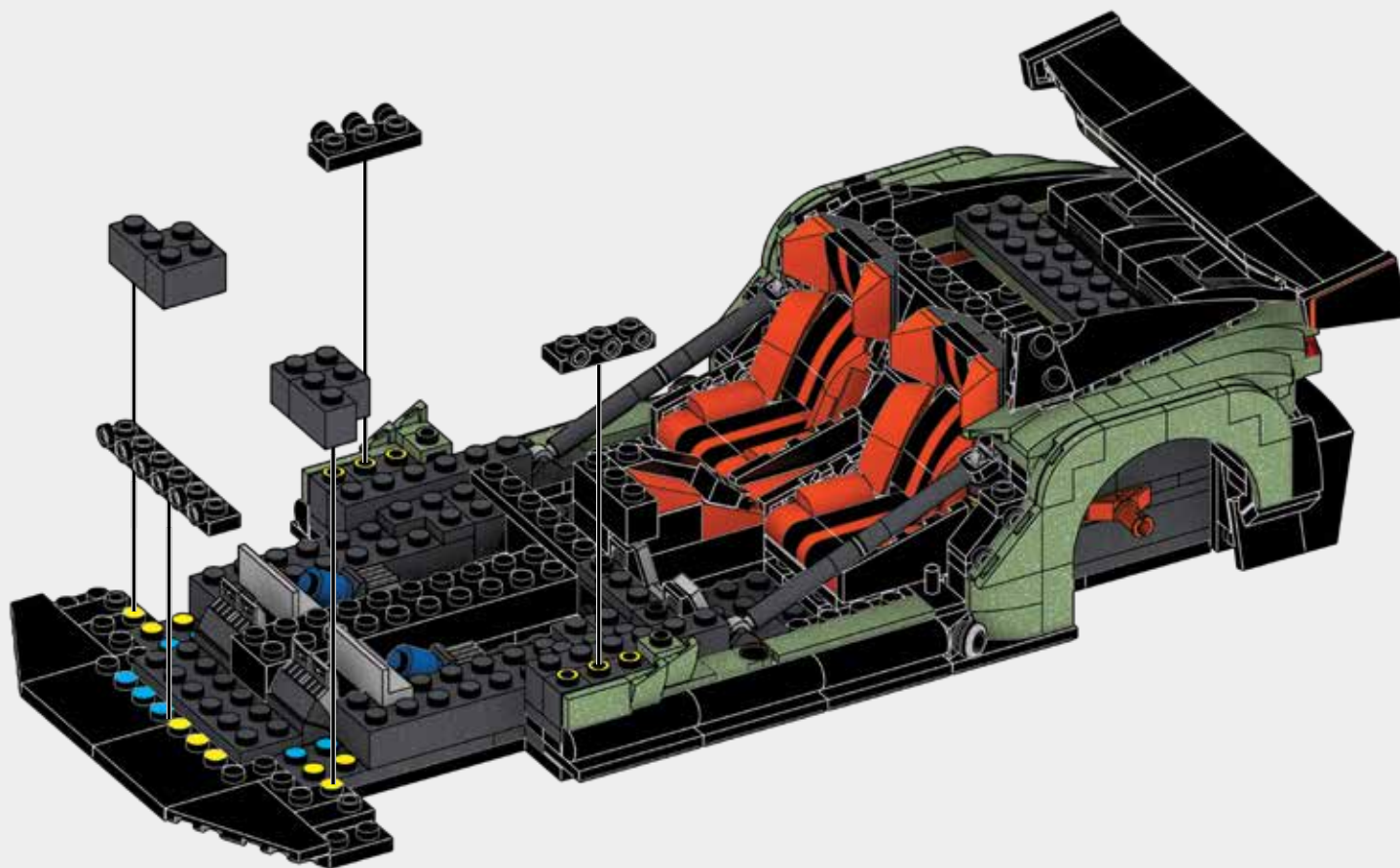
2x



4x



2x



87



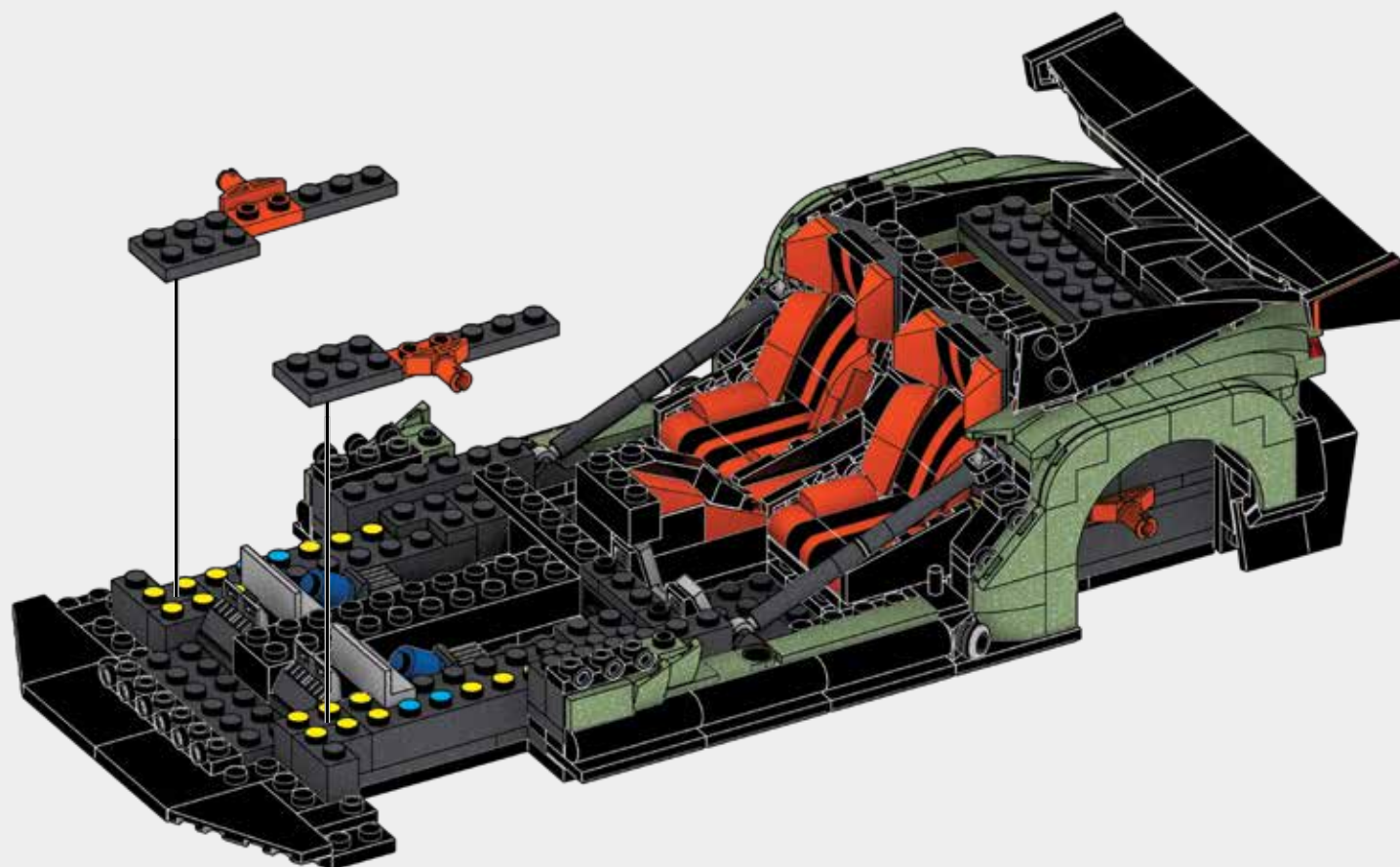
2x



2x



2x



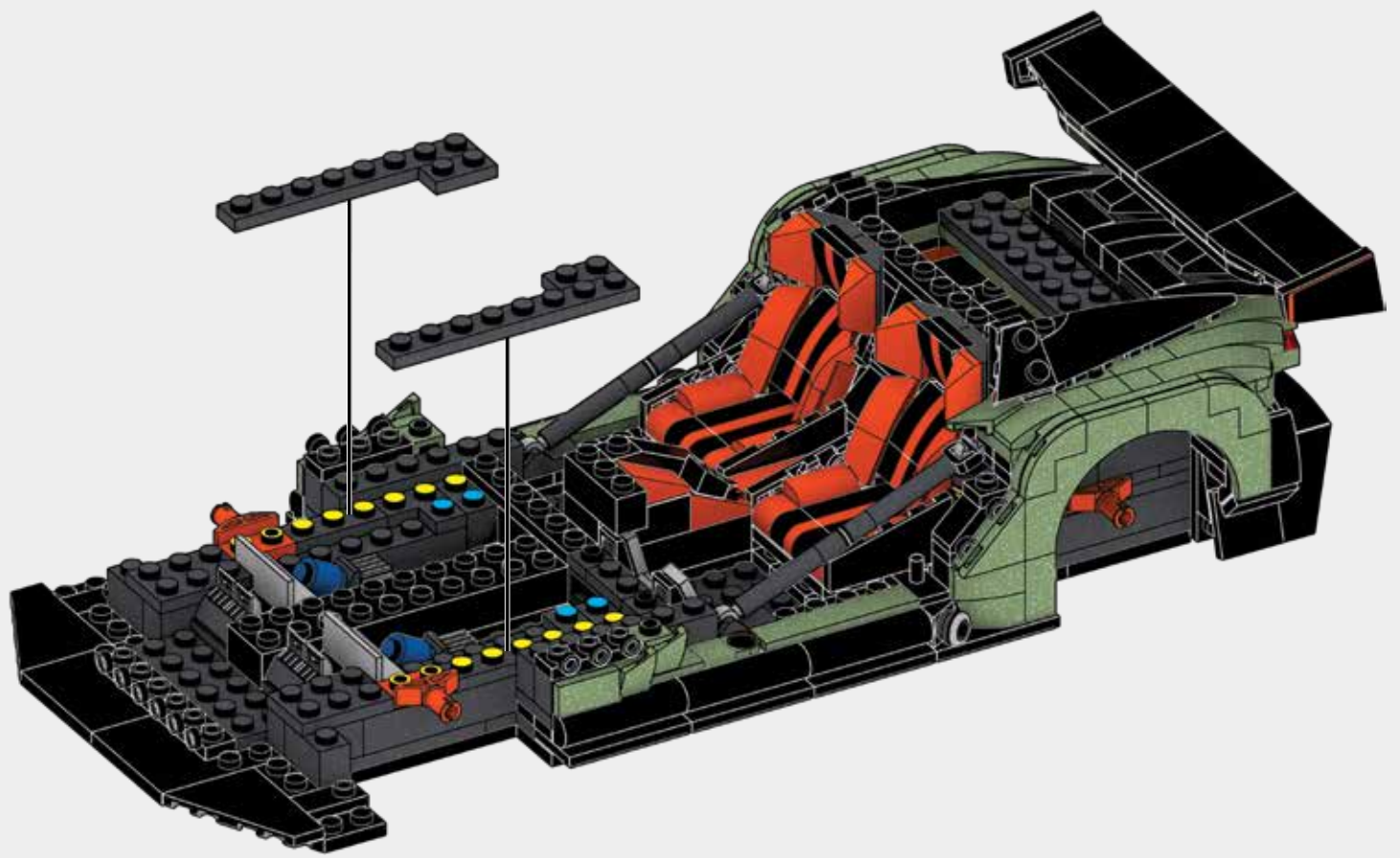
88








2x

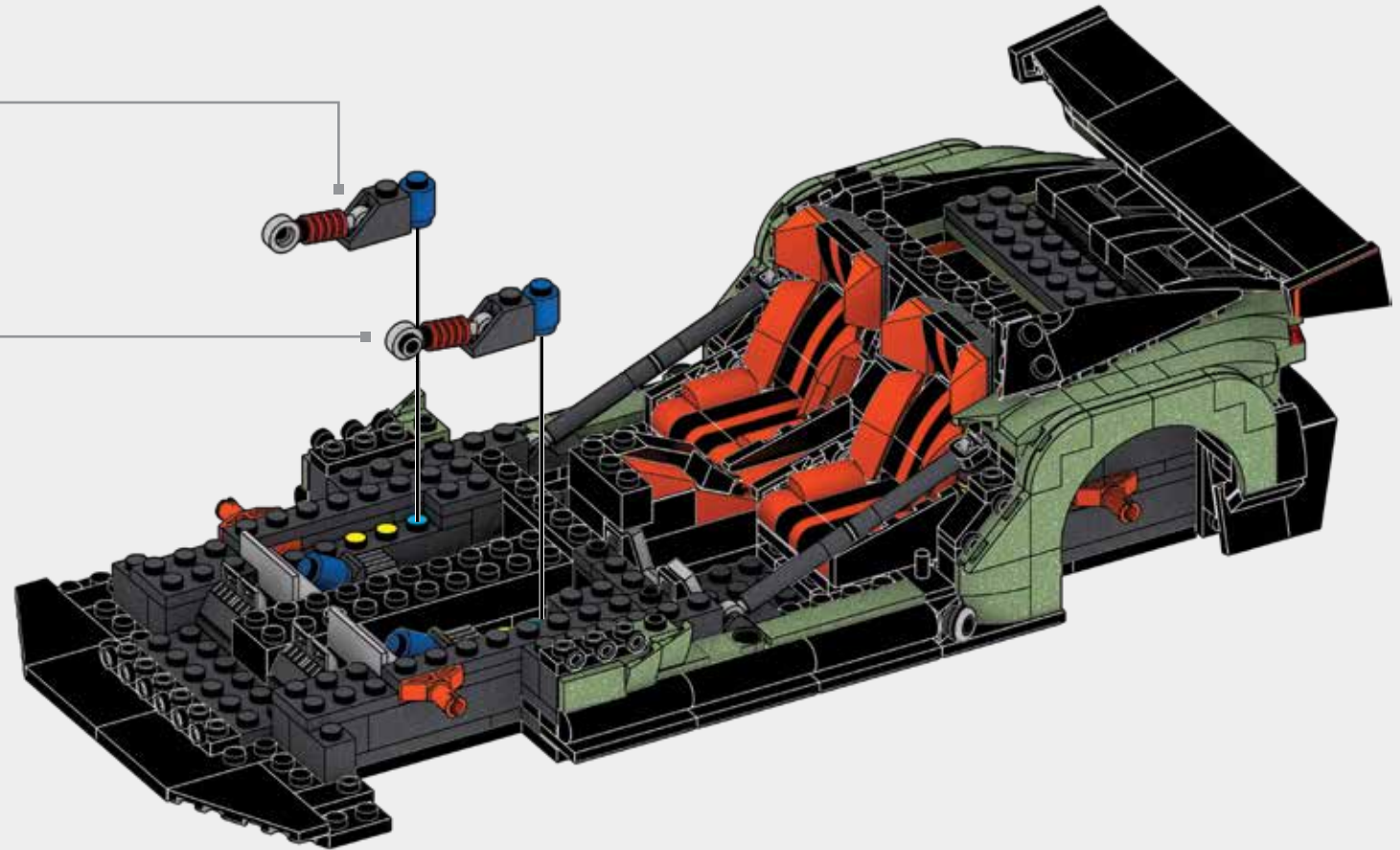
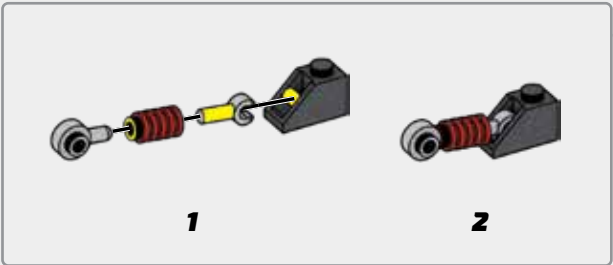
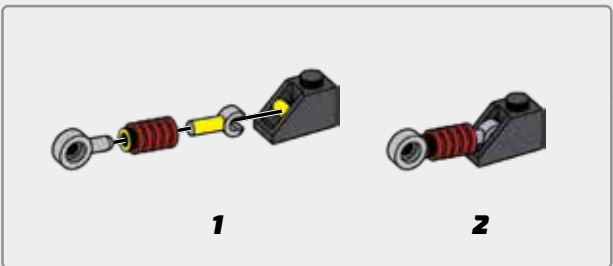


2x



89

- 2x 
- 2x 
- 2x 
- 2x 
- 2x 



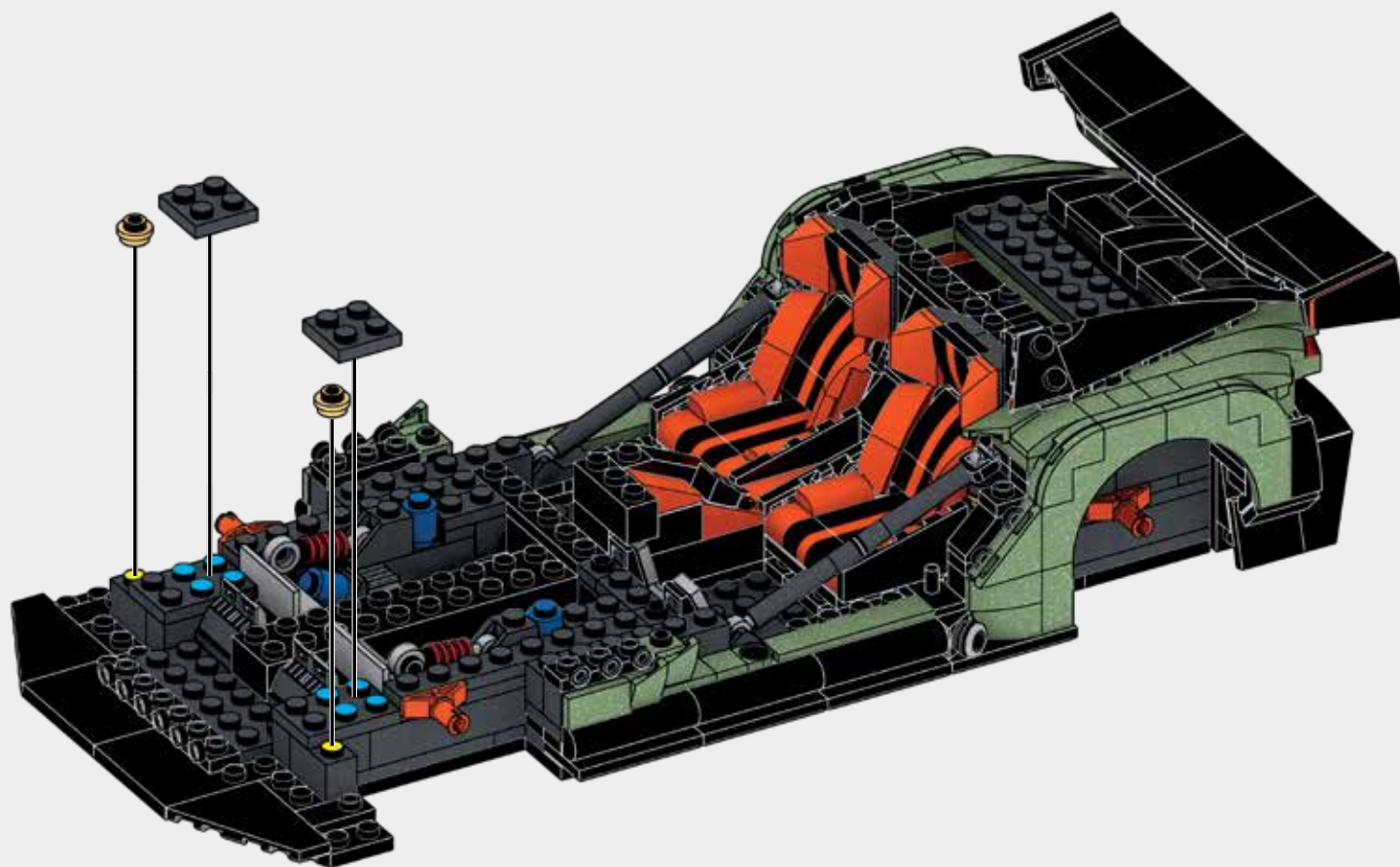
90



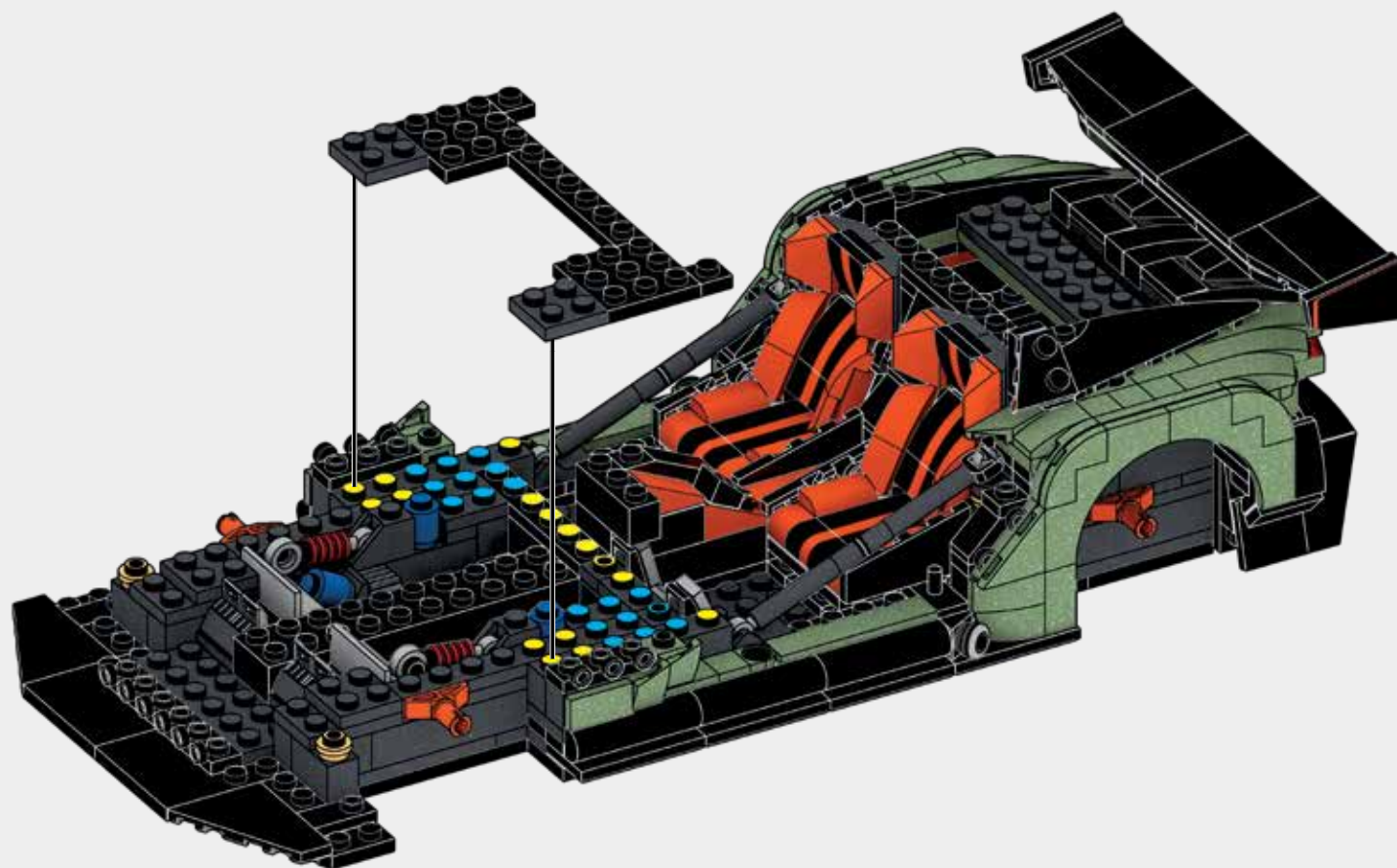
2x



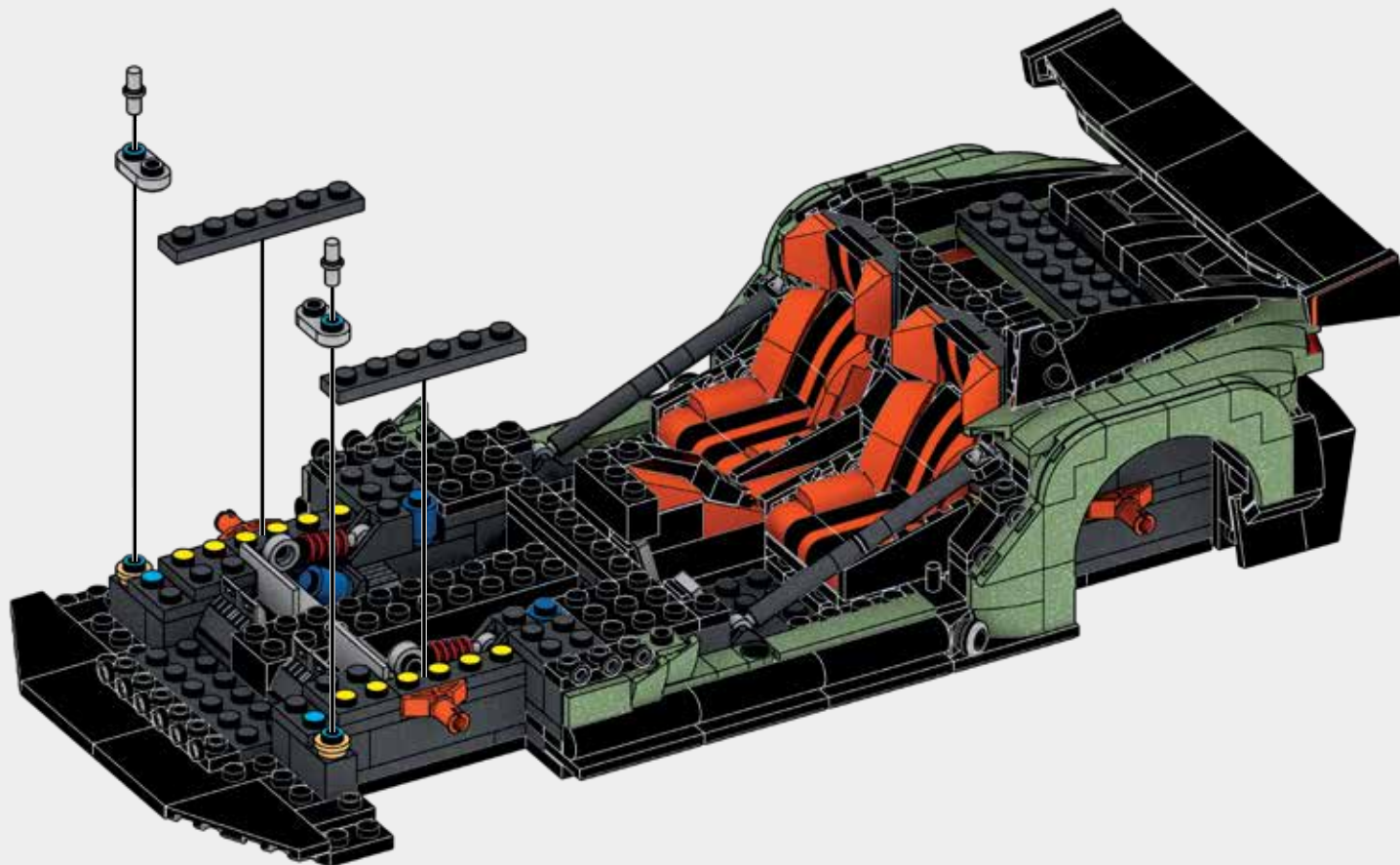
2x



91



92



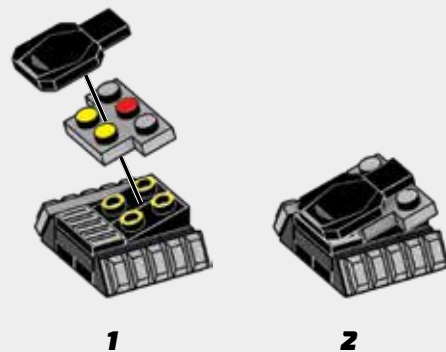
93



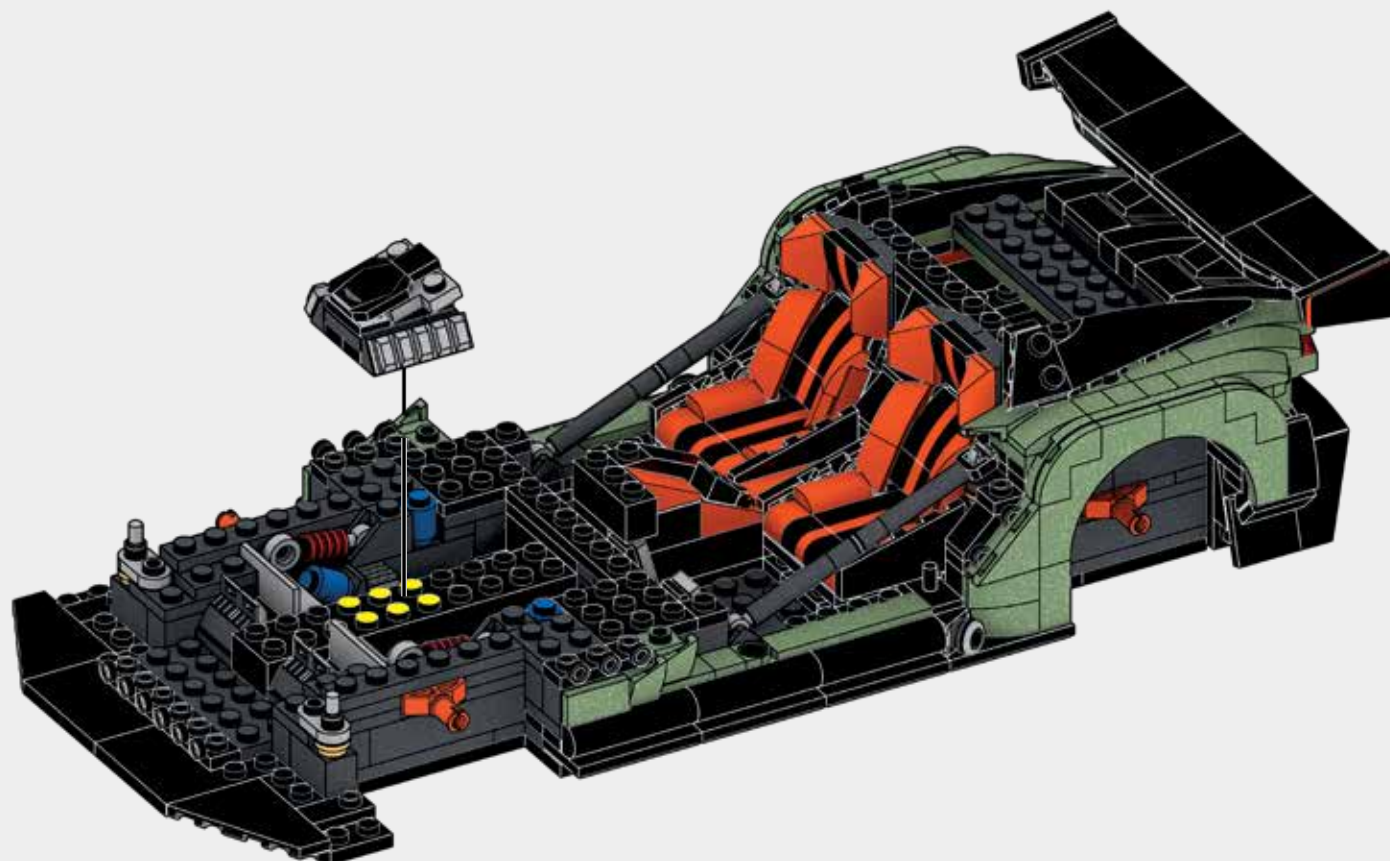
94



95



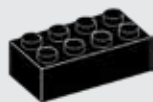
96



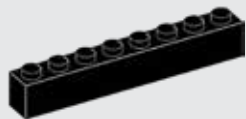
97



2x



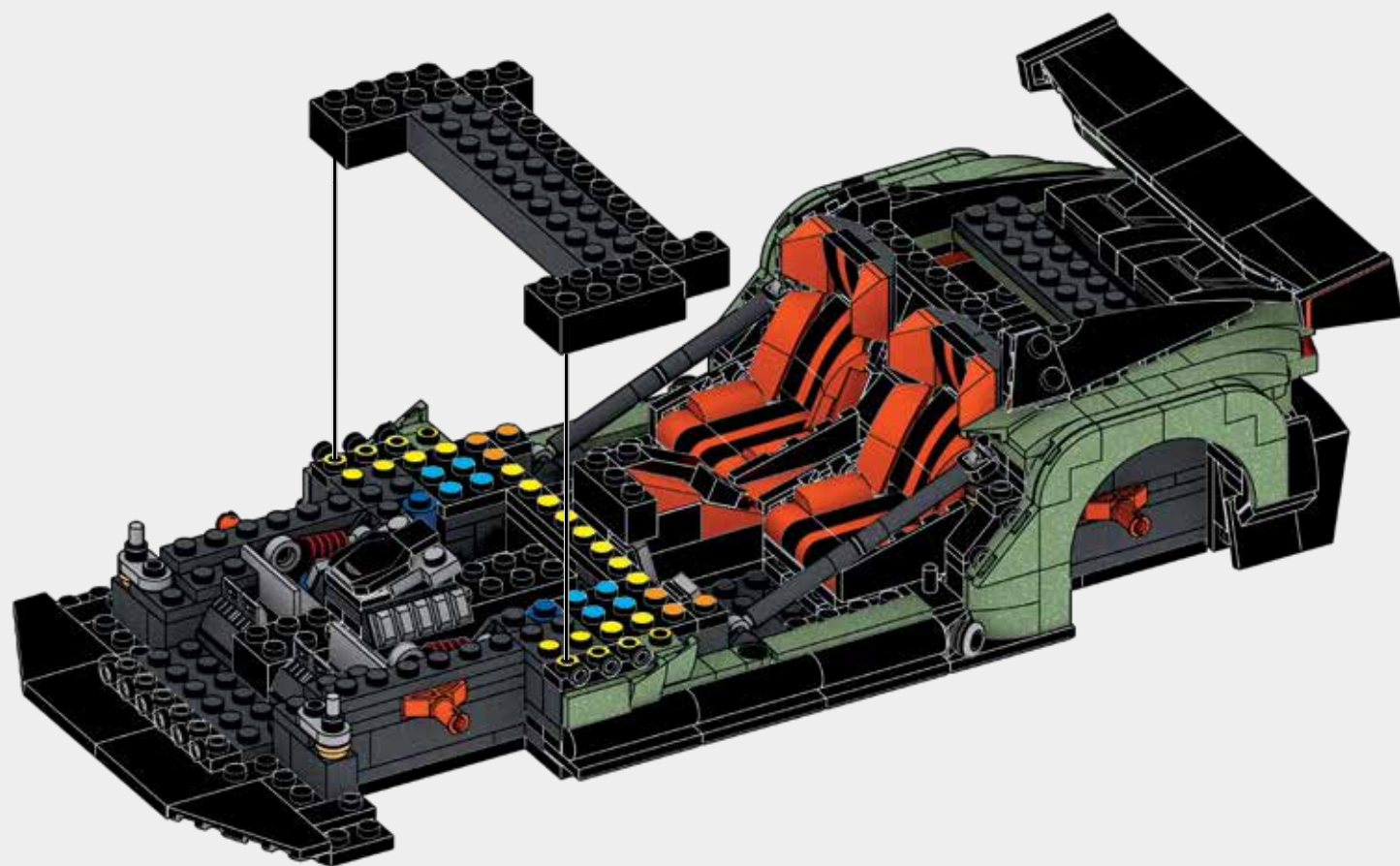
2x



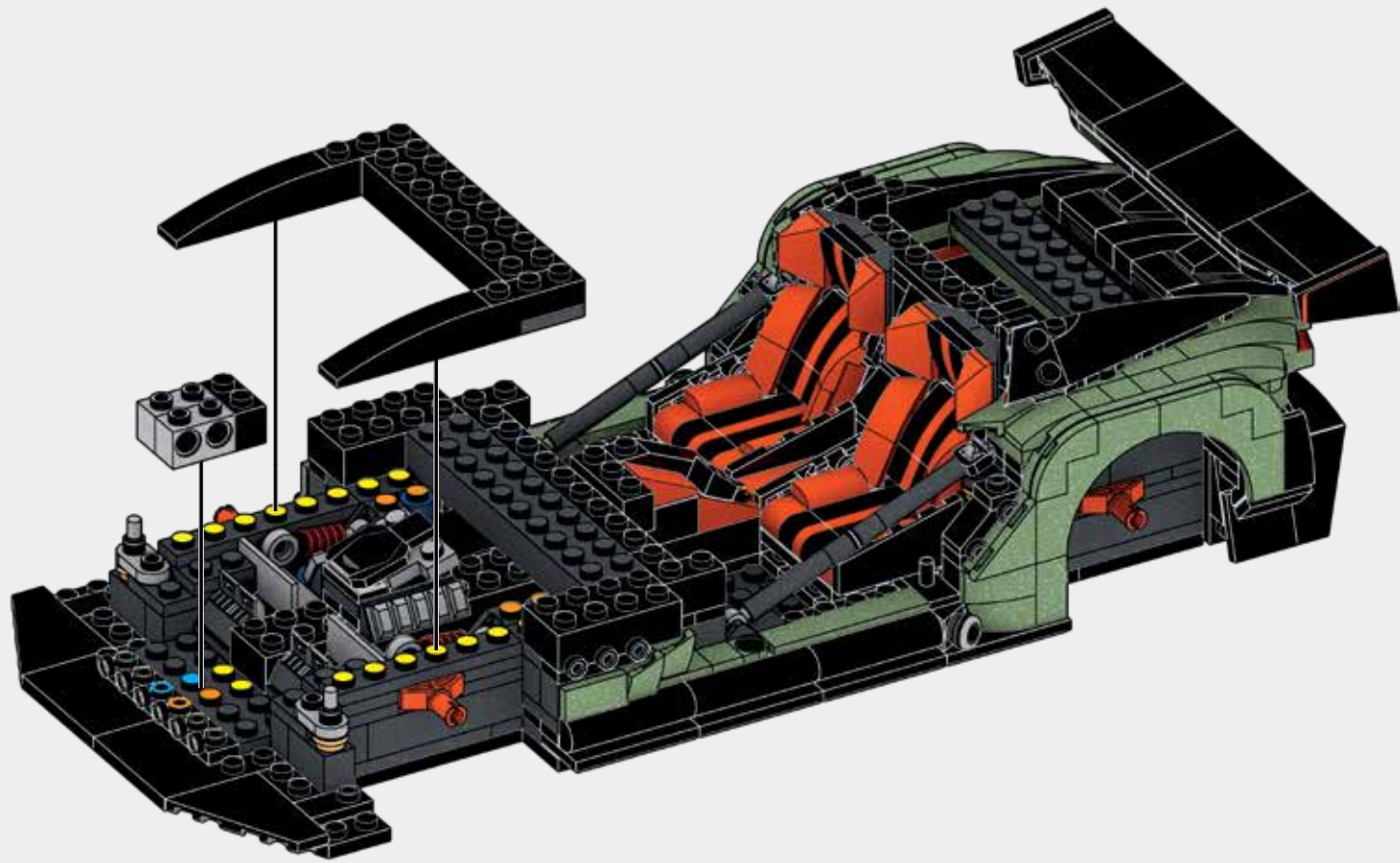
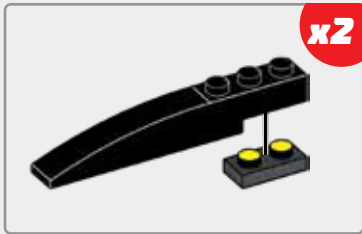
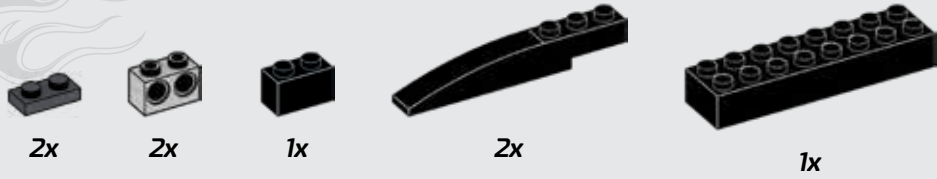
1x



1x



98



99



1x



1x



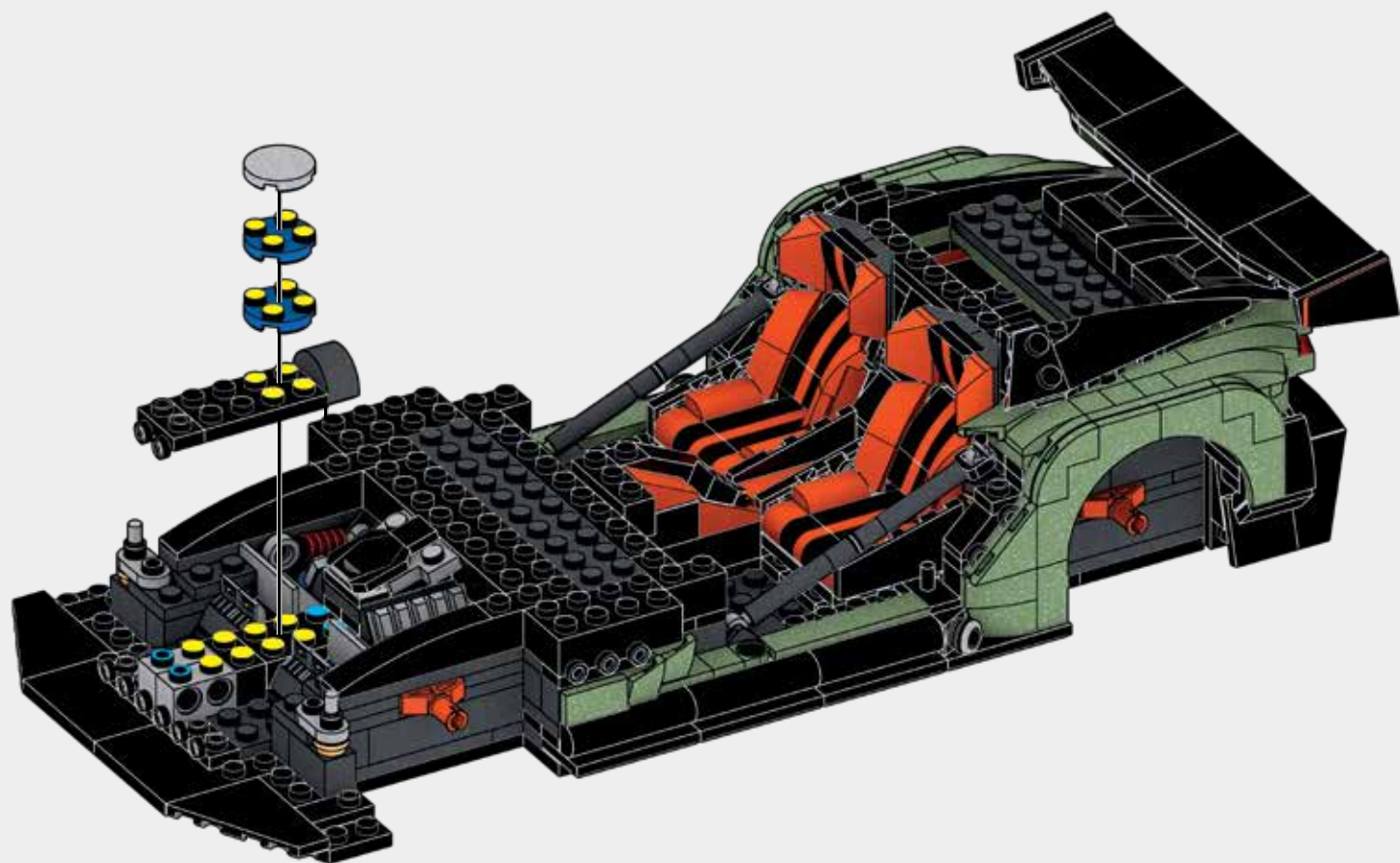
1x



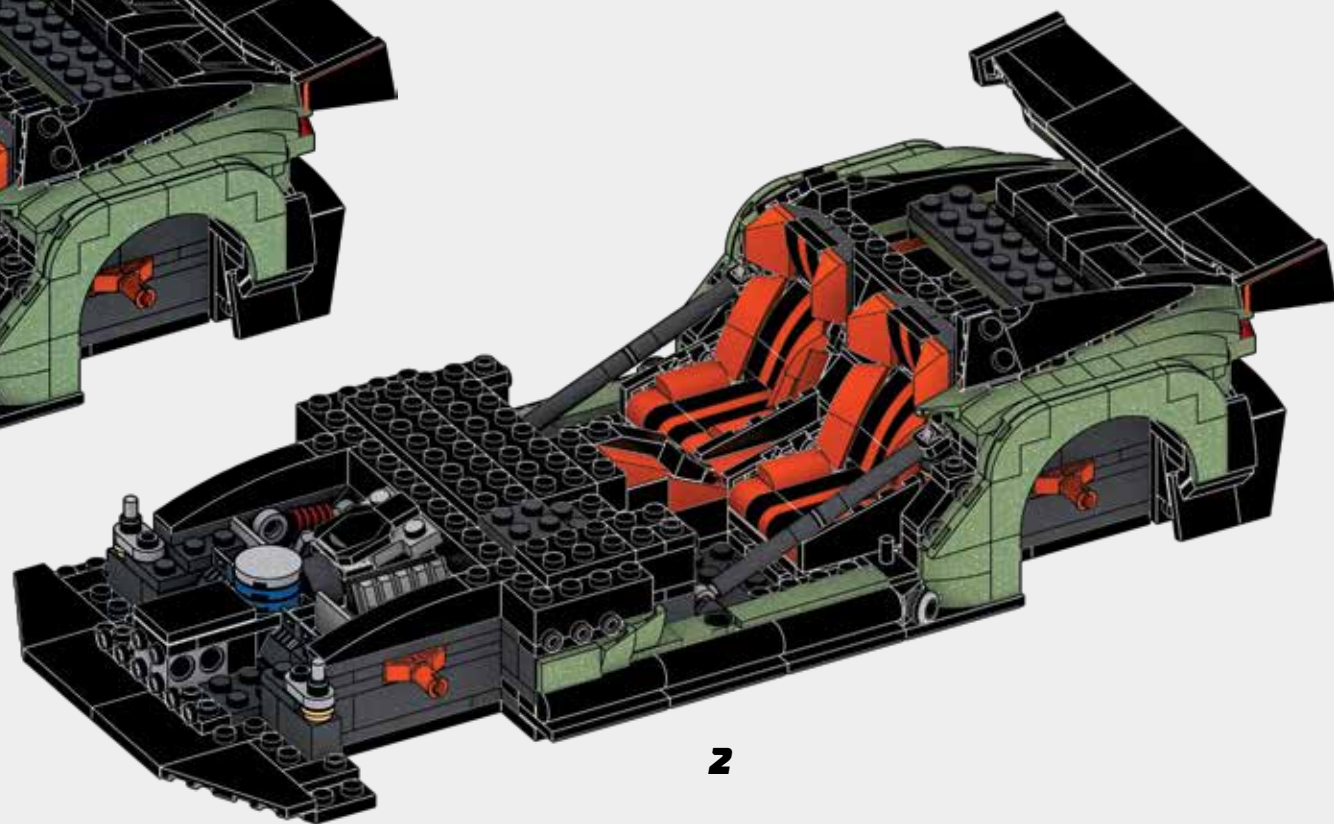
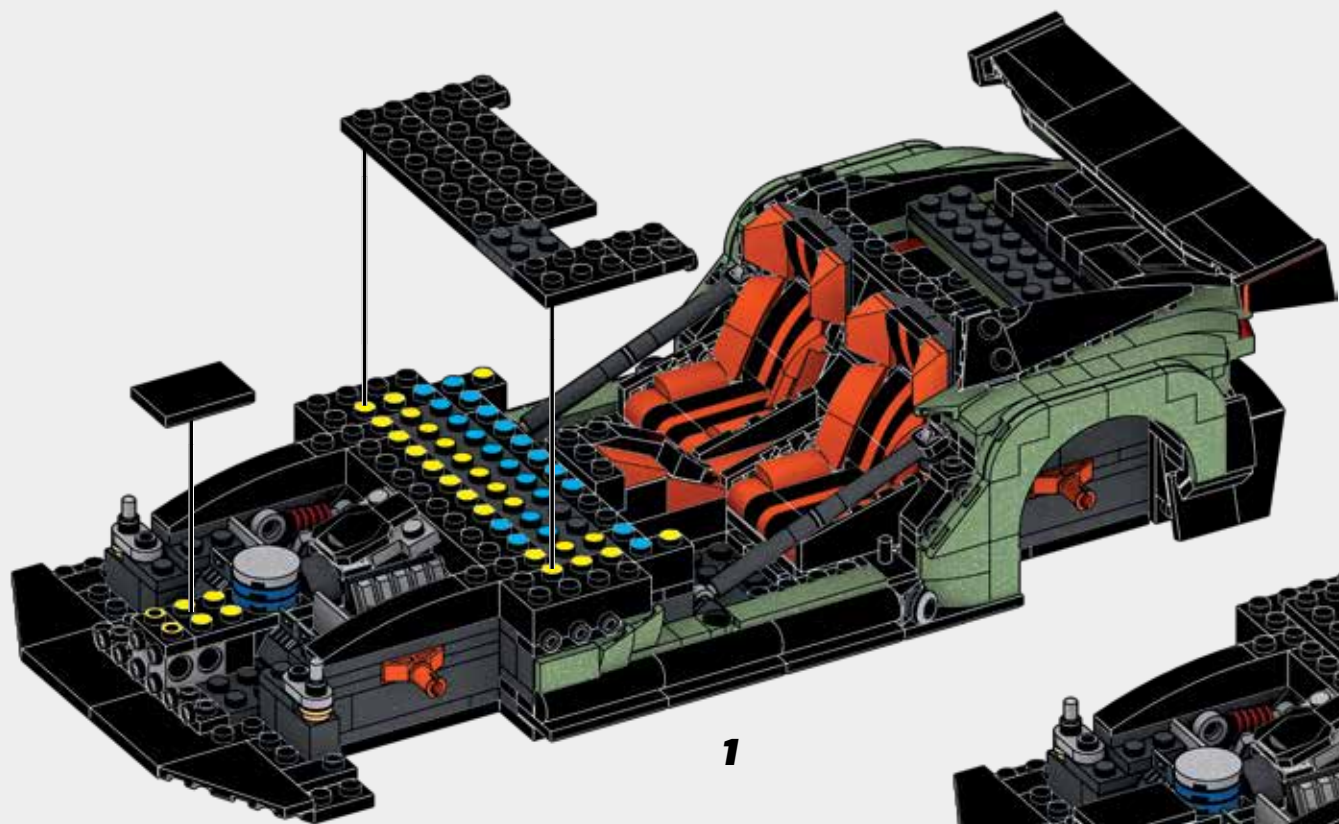
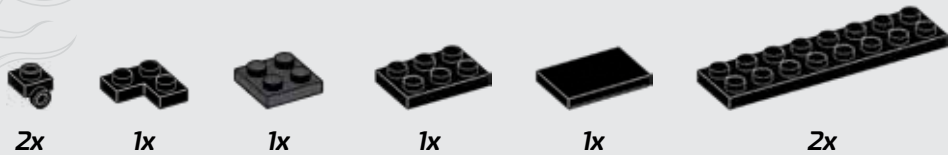
2x



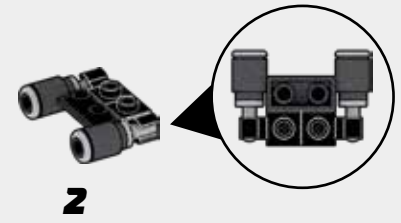
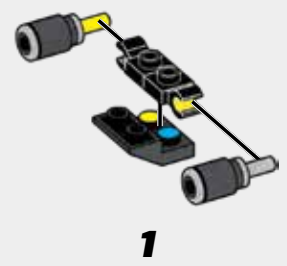
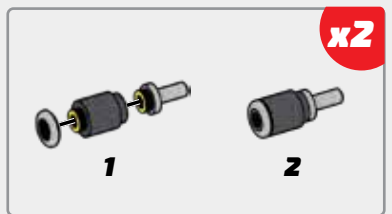
1x



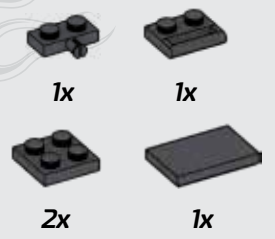
100



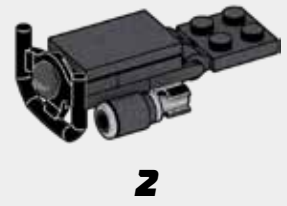
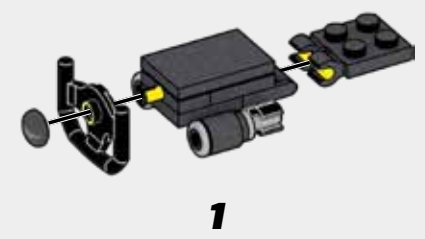
101



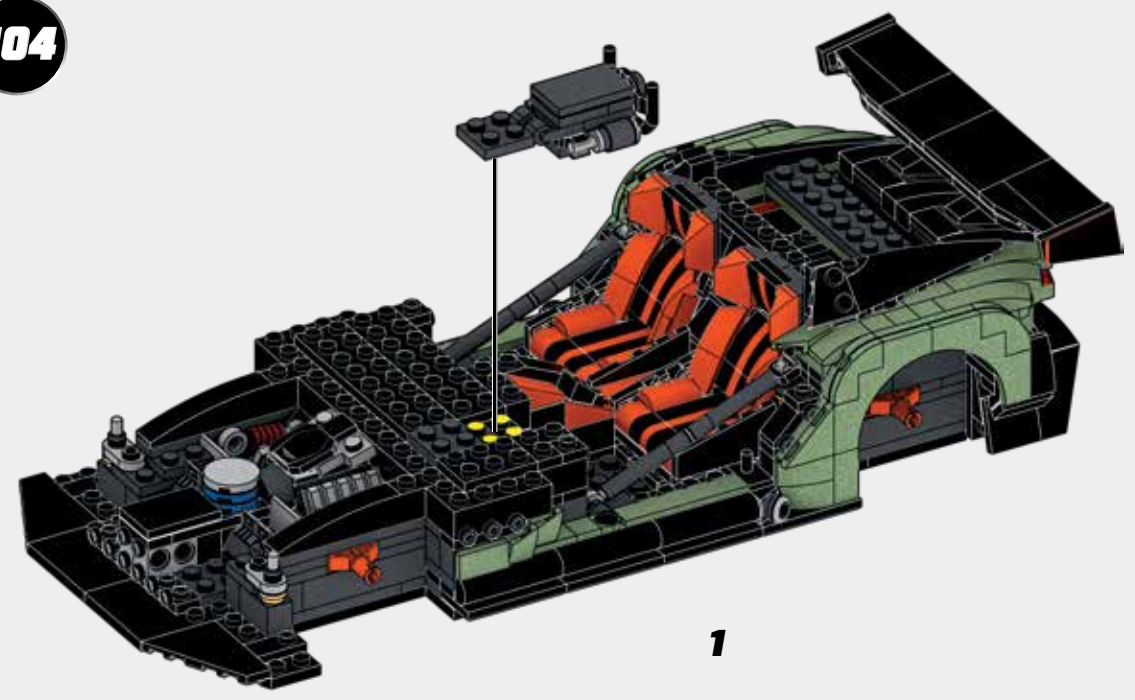
102

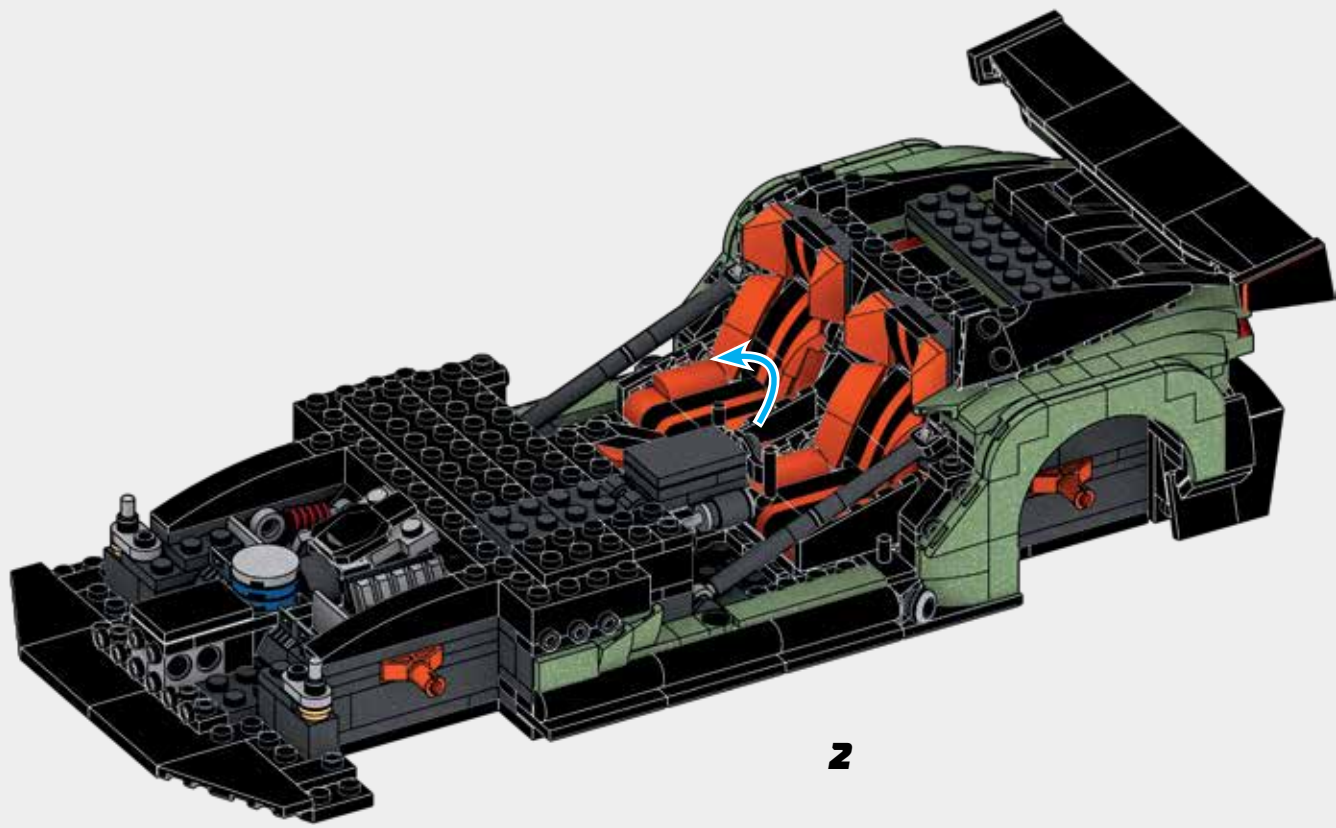


103

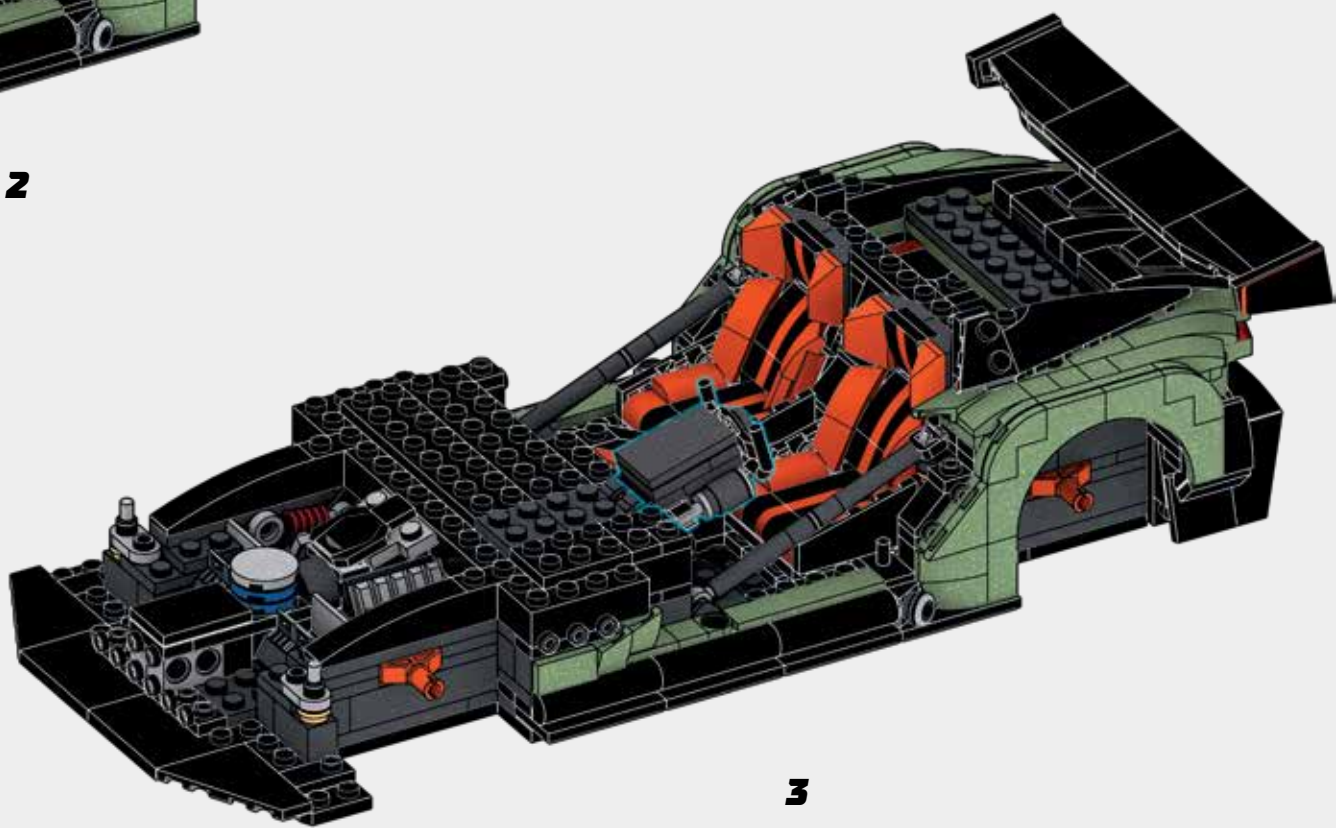


104





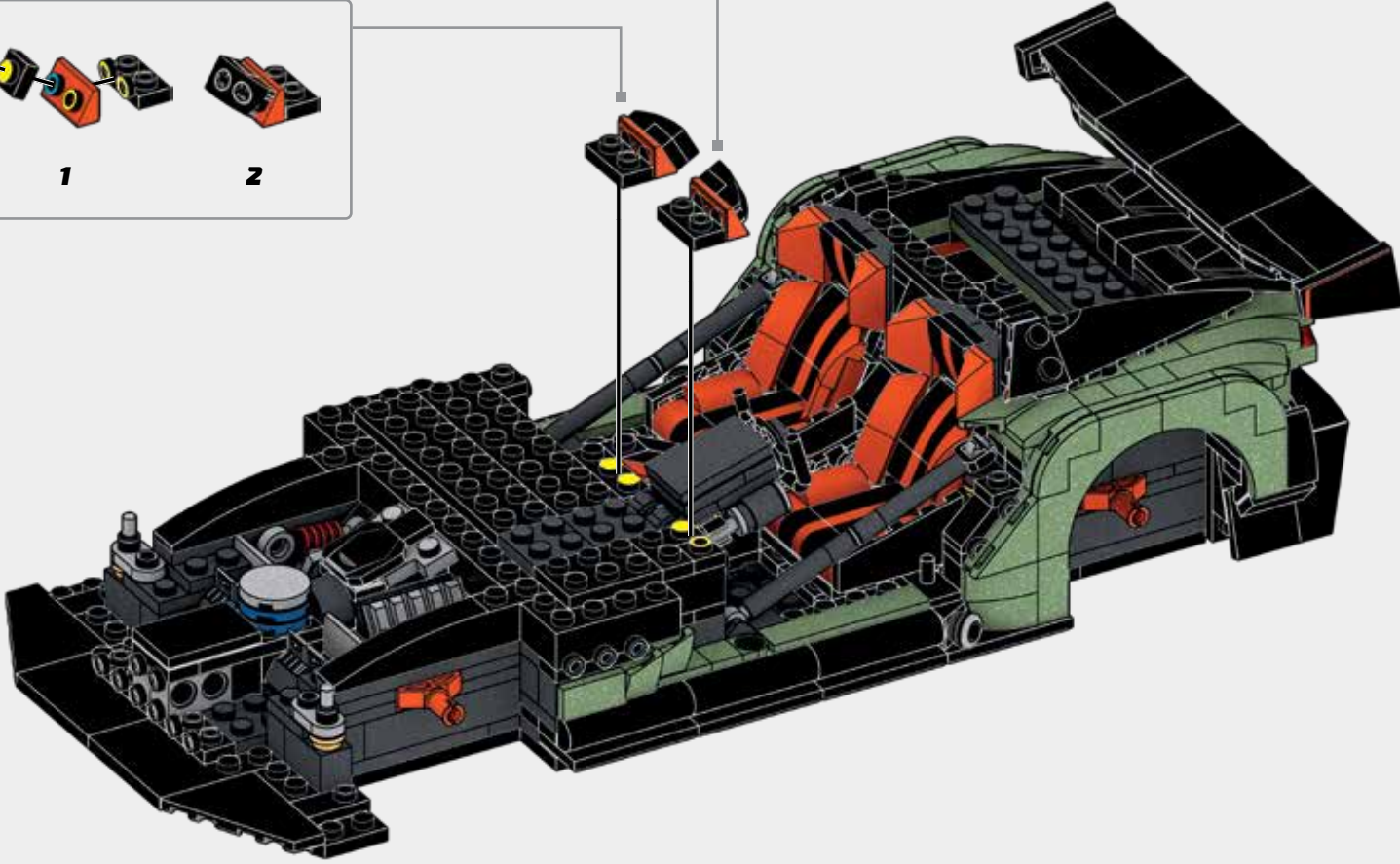
2



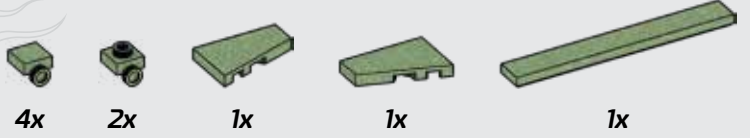
3

105

- 2x [Black 1x2 Technic Brick]
- 2x [Black 1x2 Technic Brick with 2 Holes]
- 1x [Black 1x2 Technic Brick with 1 Hole]
- 1x [Black 1x2 Technic Brick with 2 Holes]
- 2x [Red 1x2 Technic Brick]



106



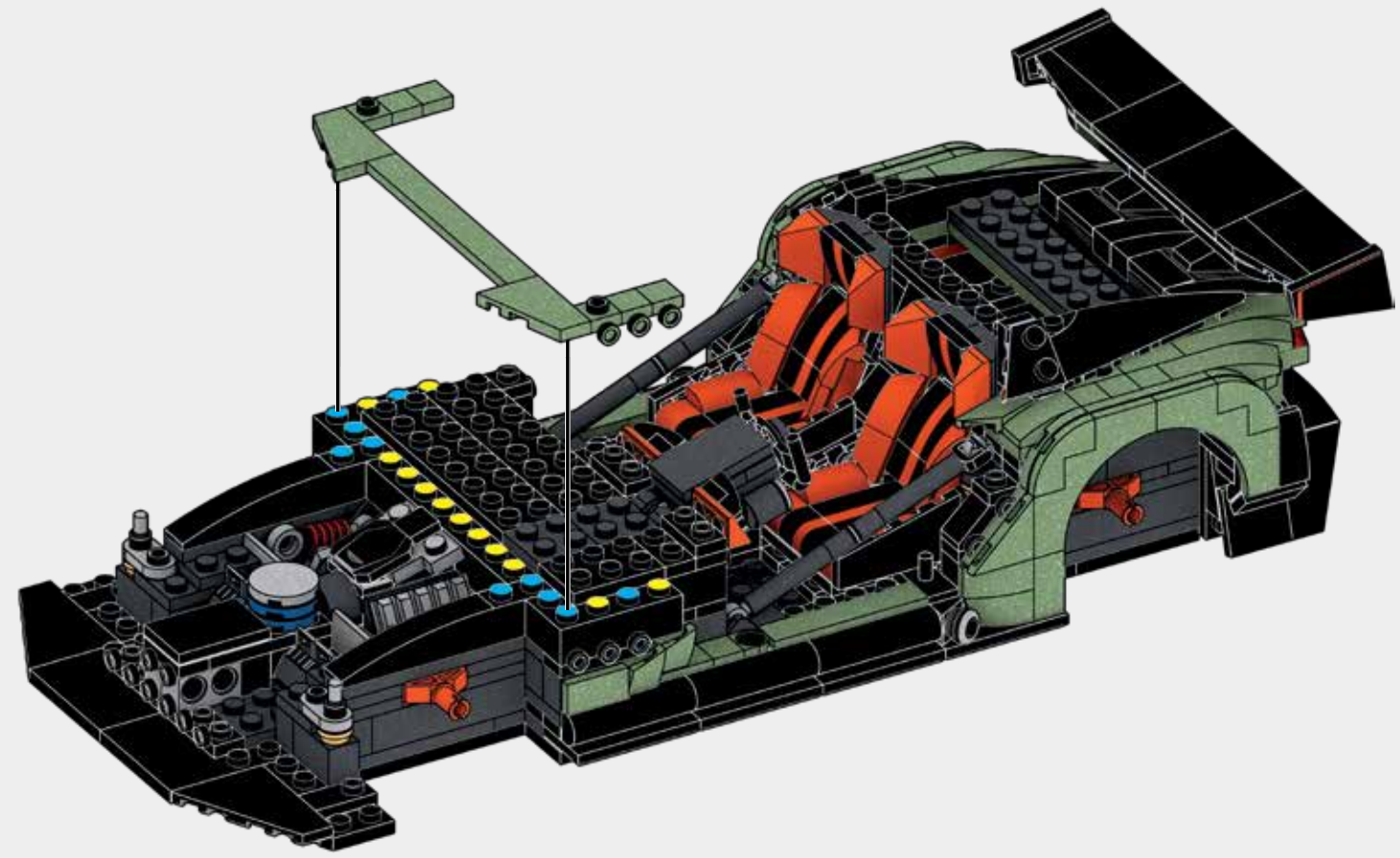
4x

2x

1x

1x

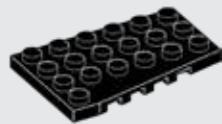
1x



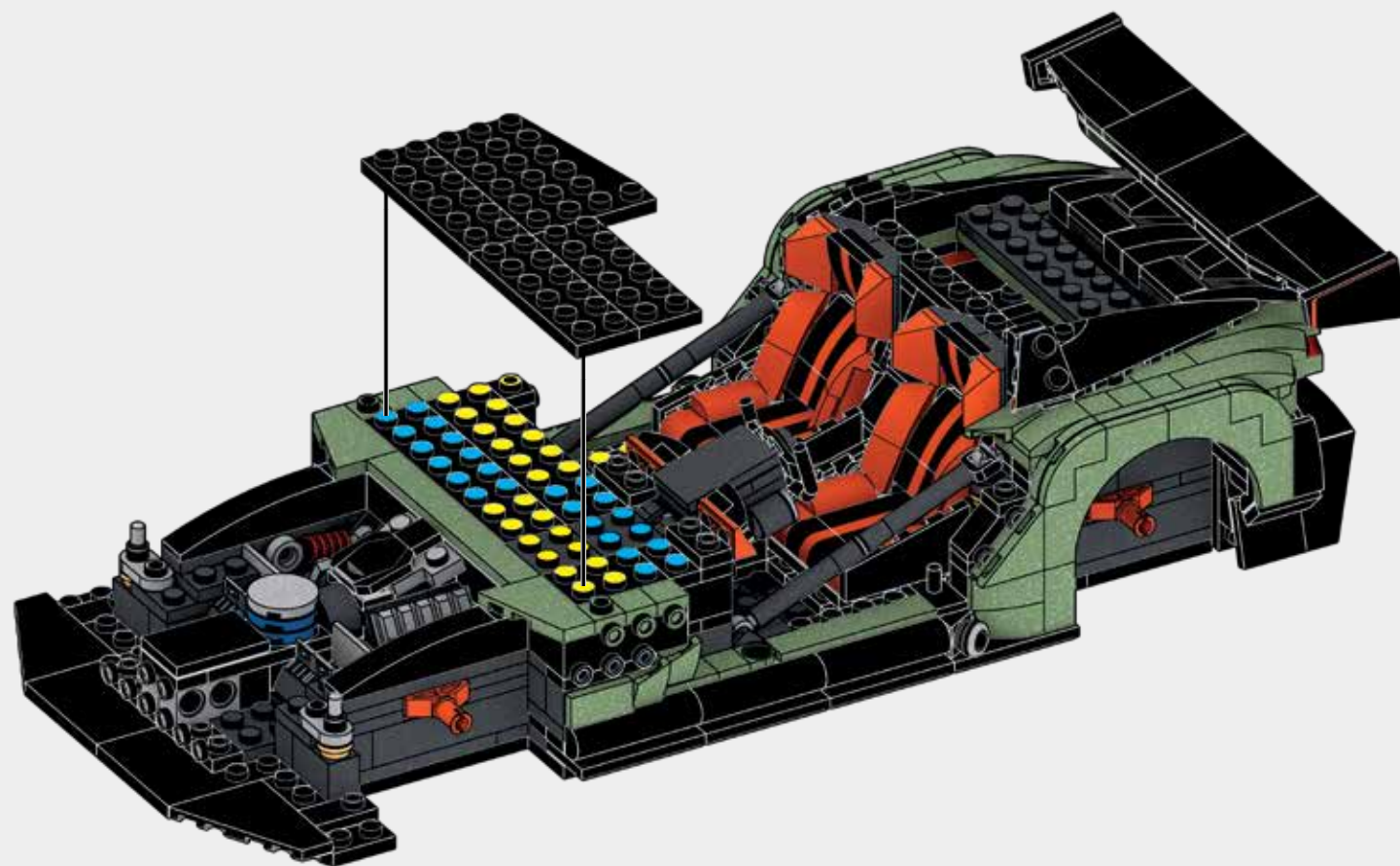
107



3x



1x



108



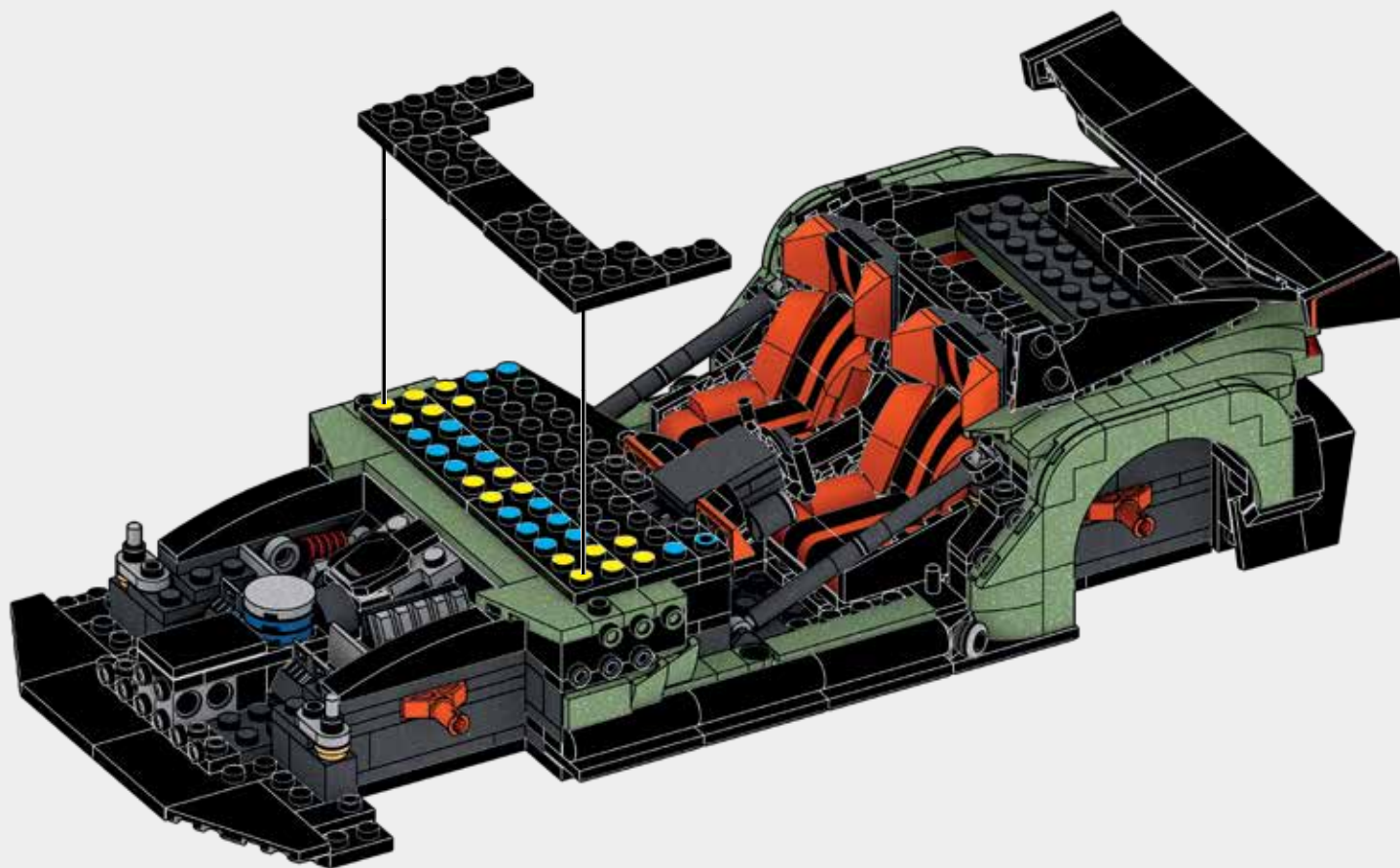
2x



1x

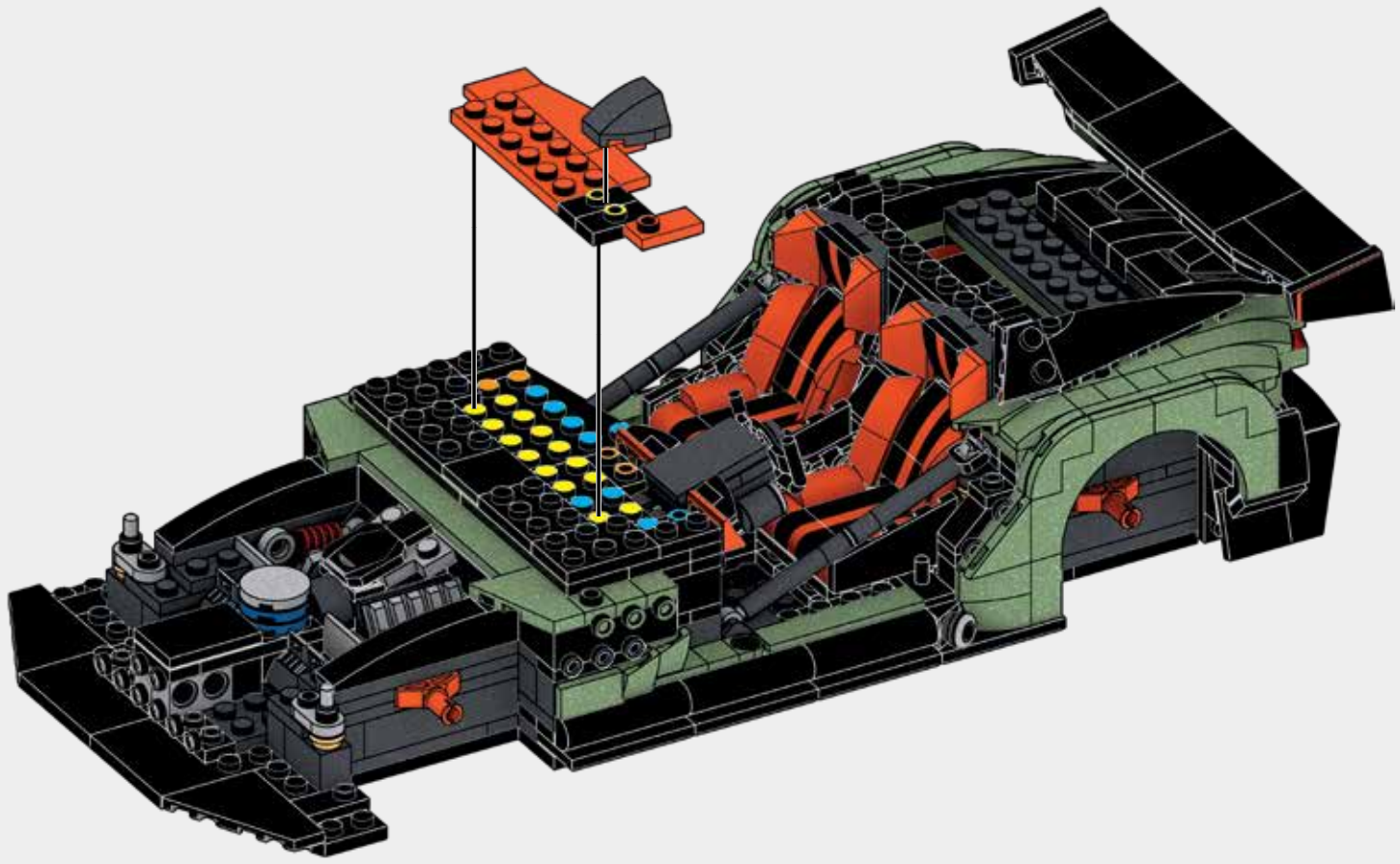


4x



109

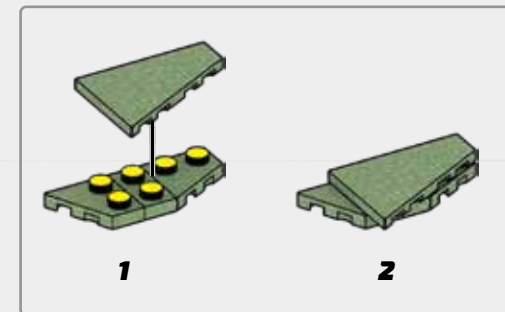
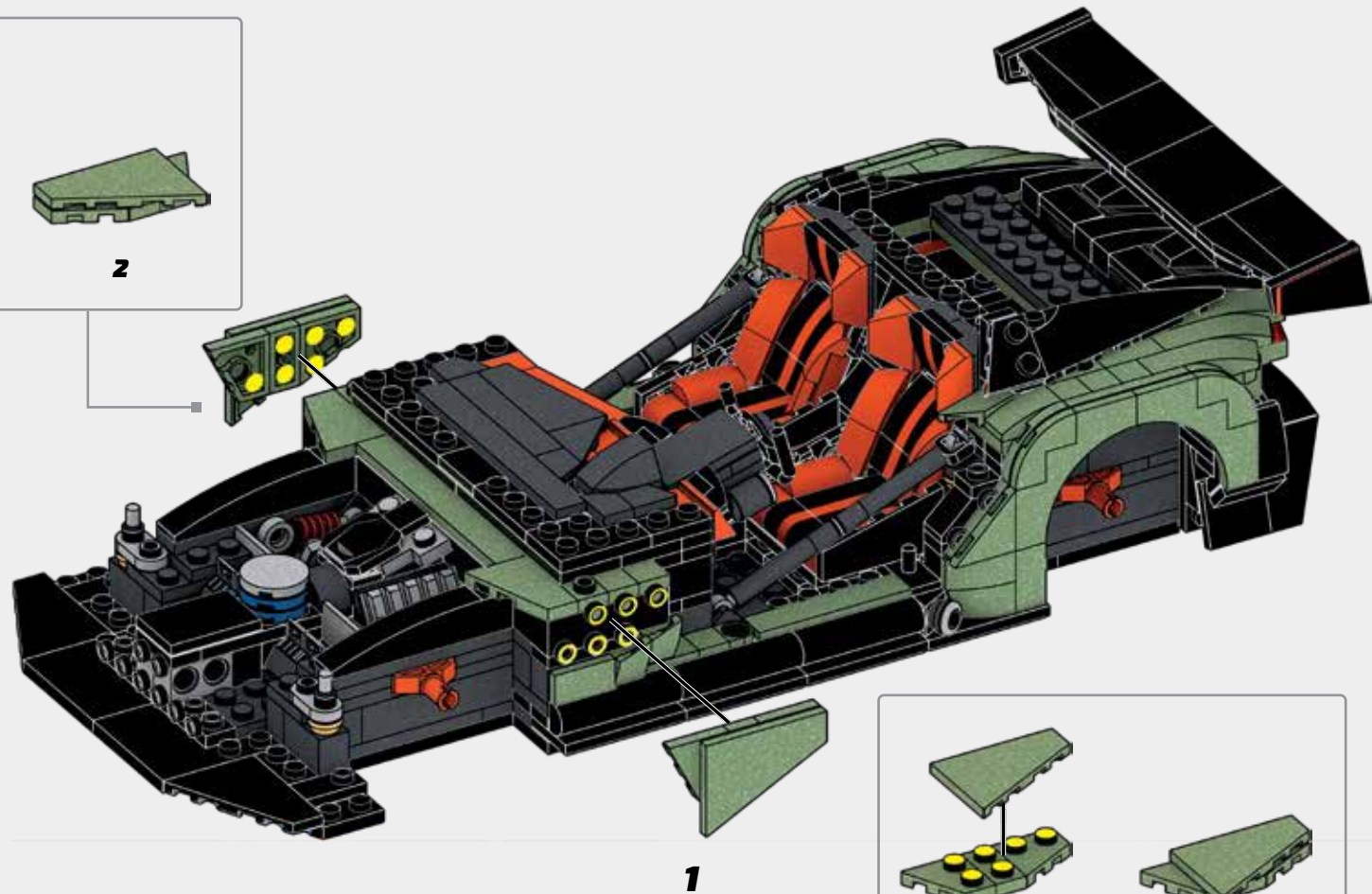
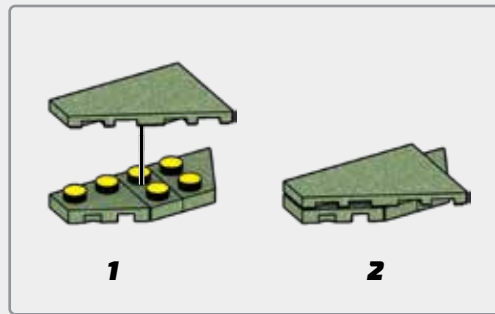
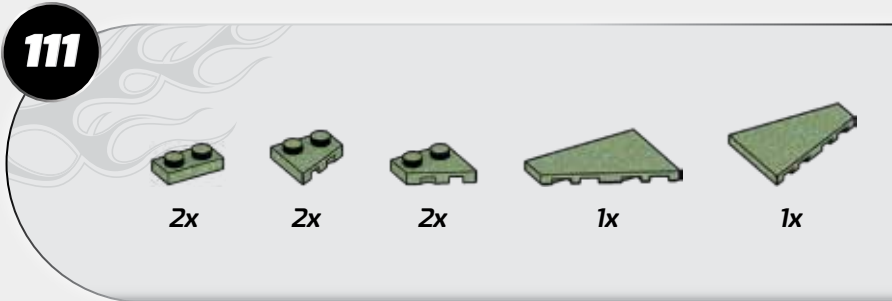
- 2x [Black 1x2 Technic Brick]
- 1x [Orange 1x2 Technic Brick]
- 2x [Orange 1x3 Technic Brick]
- 1x [Grey Technic Arch]
- 1x [Orange 1x5 Technic Brick]
- 1x [Orange 1x7 Technic Brick]

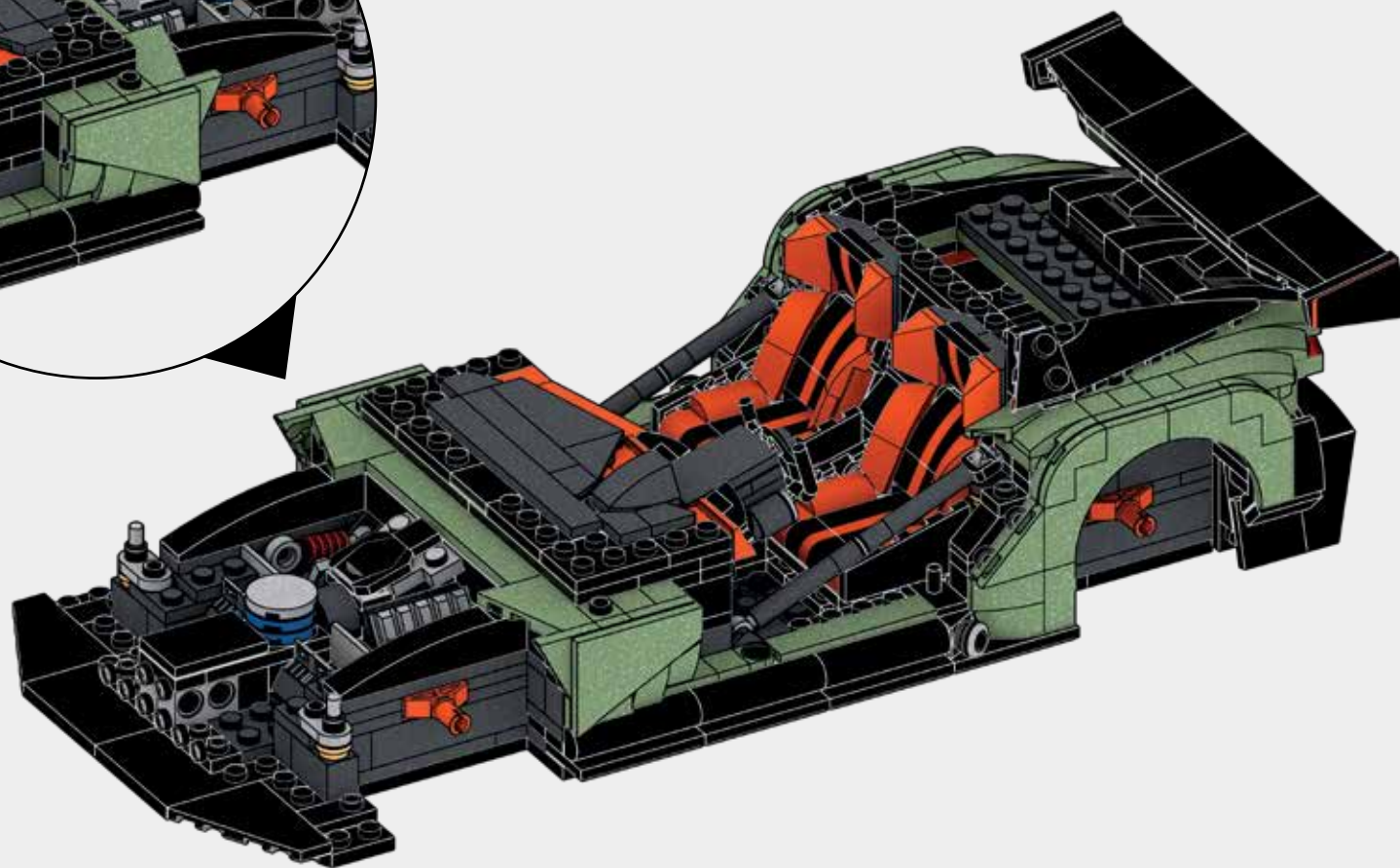
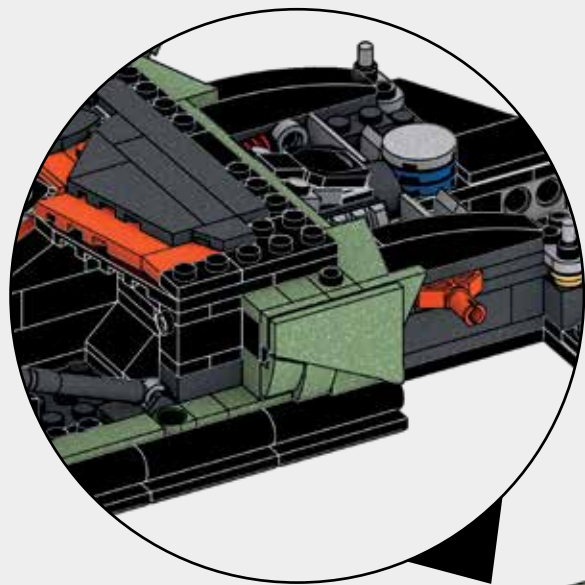


110

- 1x [Small dark grey 1x2 Technic brick]
- 3x [Small dark grey 1x2 Technic brick]
- 1x [Dark grey 1x2 Technic triangle]
- 1x [Dark grey 1x4 Technic brick with hole]
- 1x [Dark grey 1x6 Technic brick]
- 1x [Dark grey 1x8 Technic brick]

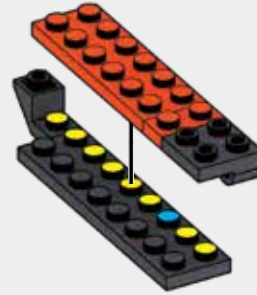
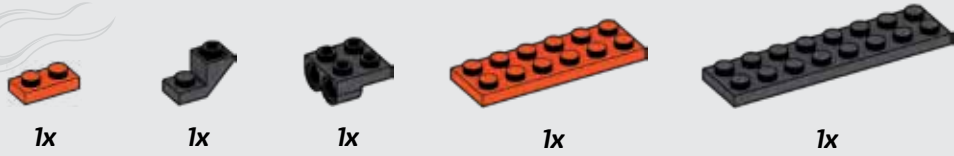




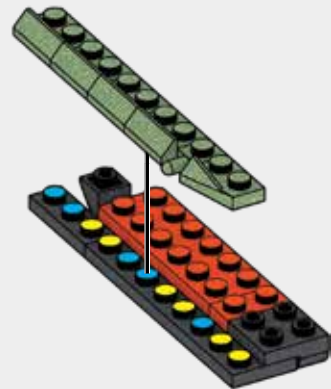
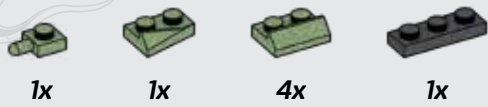


2

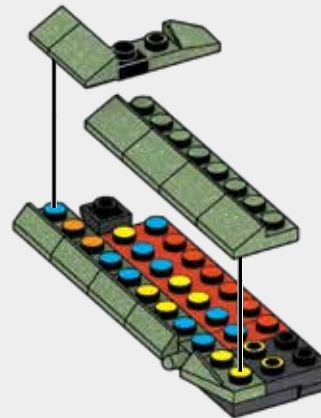
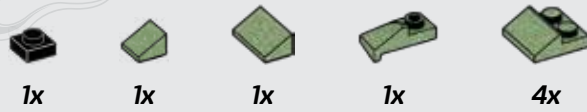
112



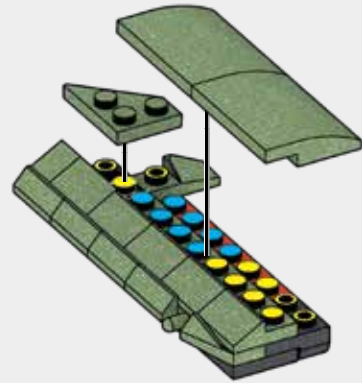
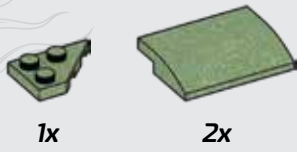
113



114



115

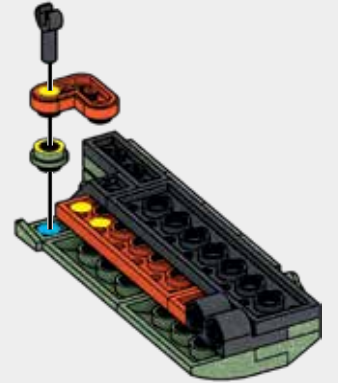


1

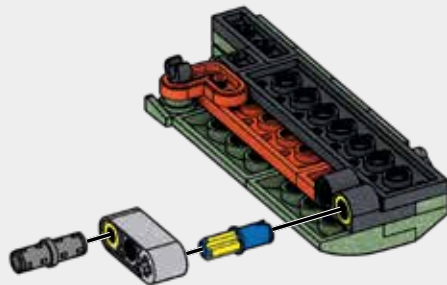


2

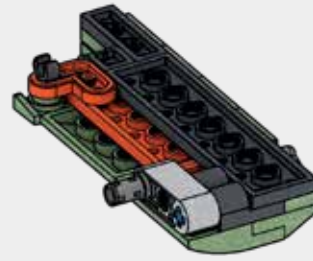
116



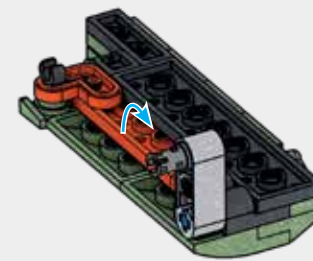
117



1



2

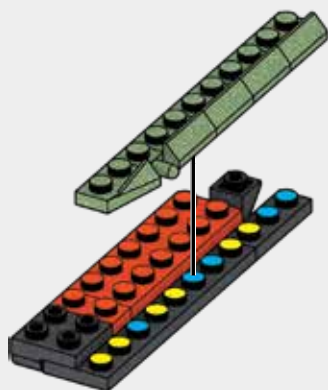


3

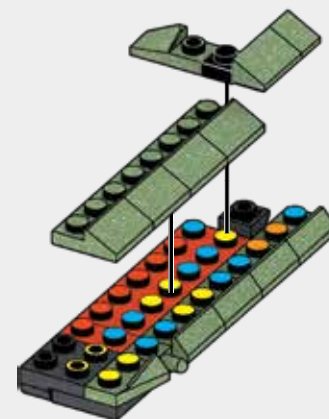
118



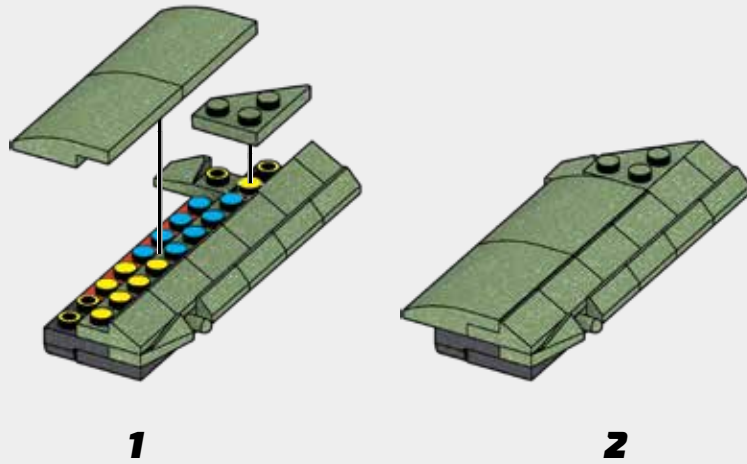
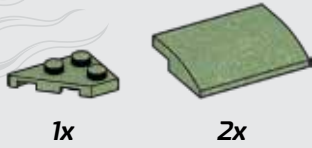
119



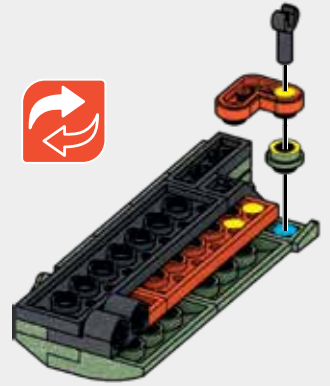
120



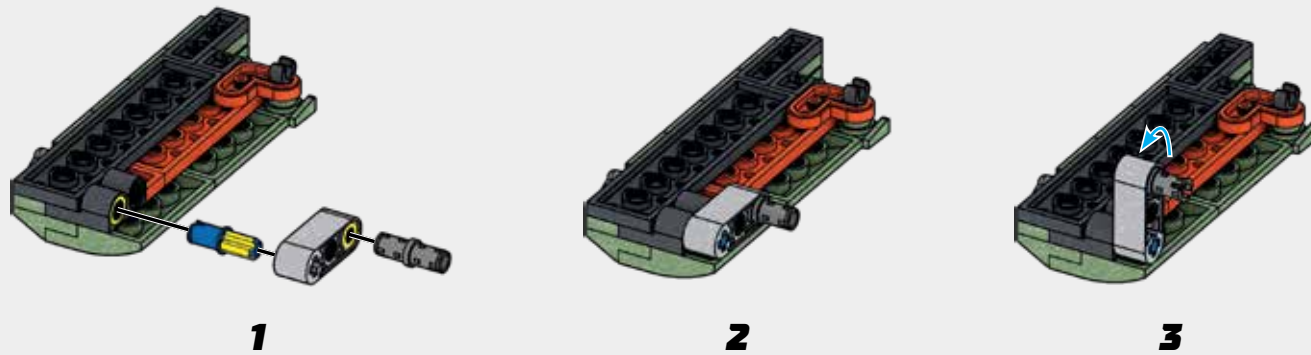
121



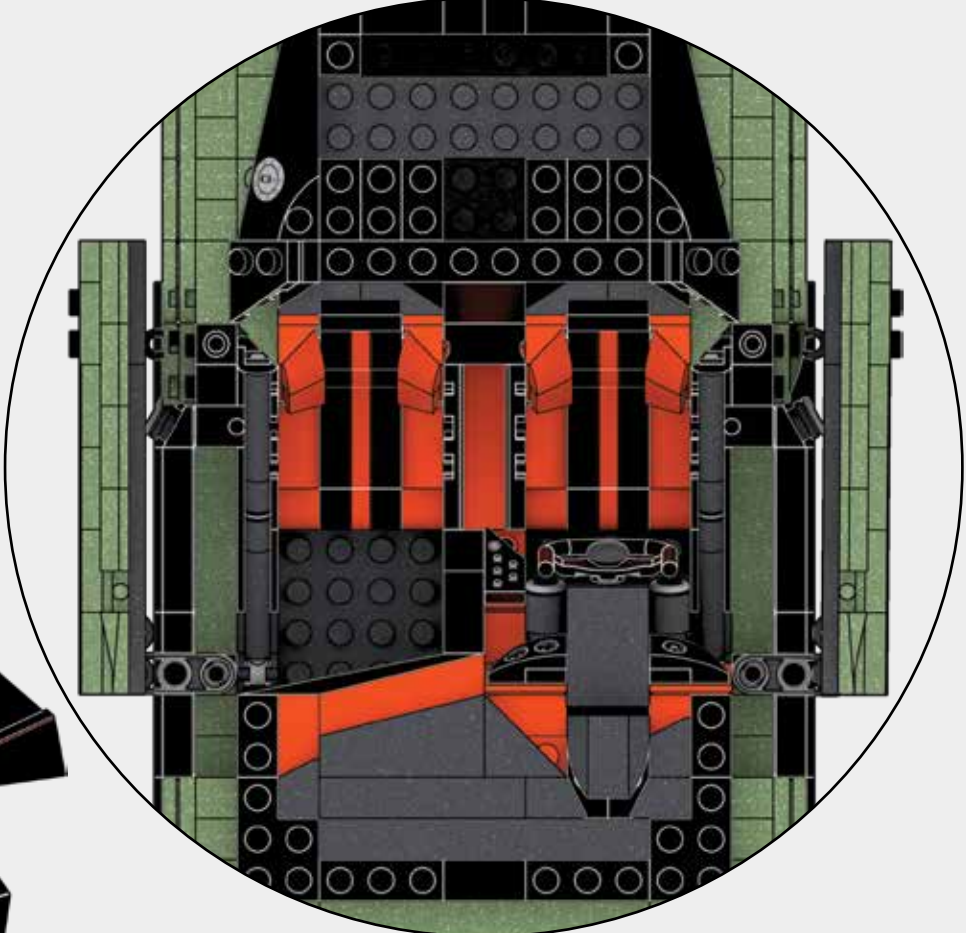
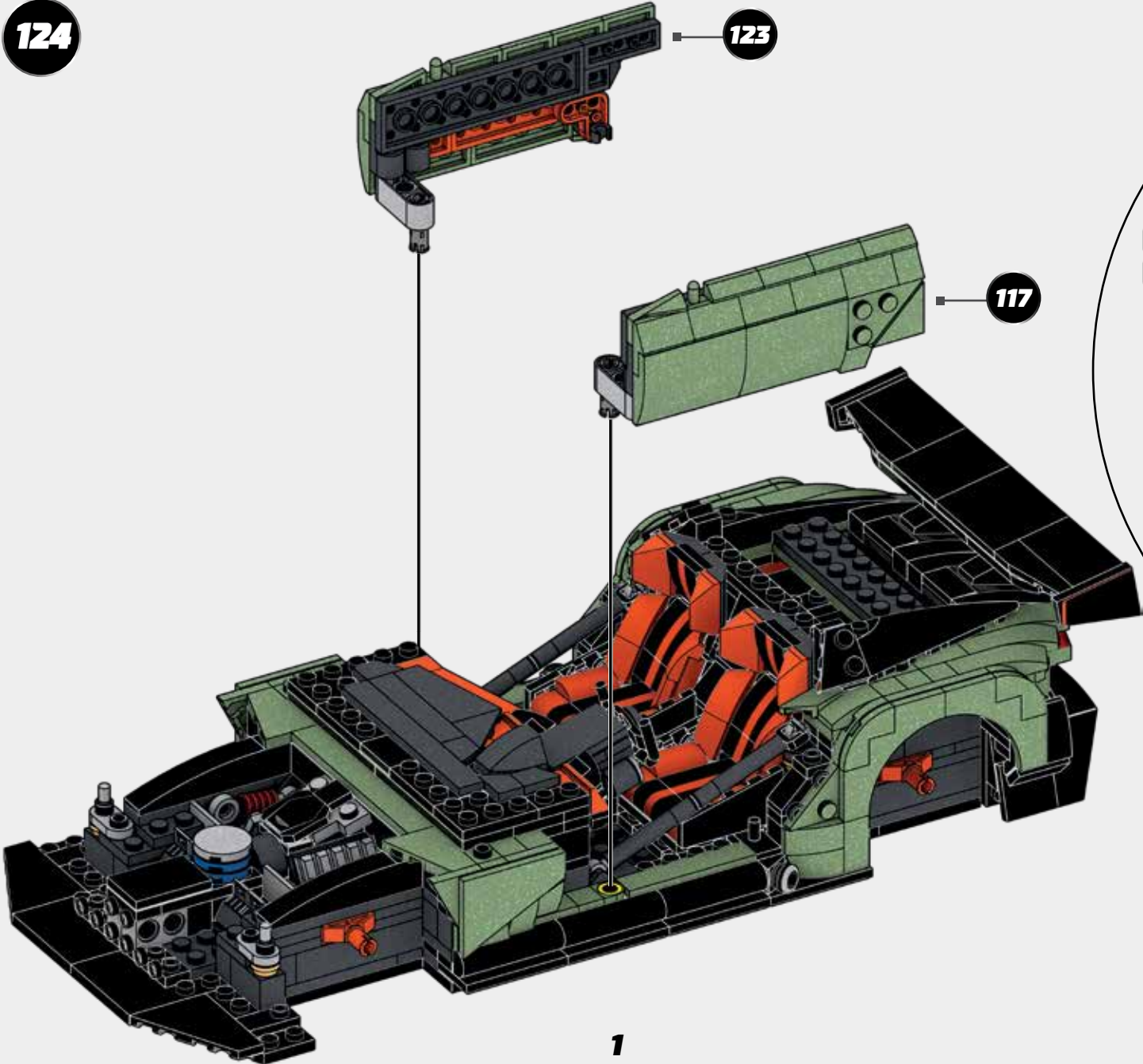
122

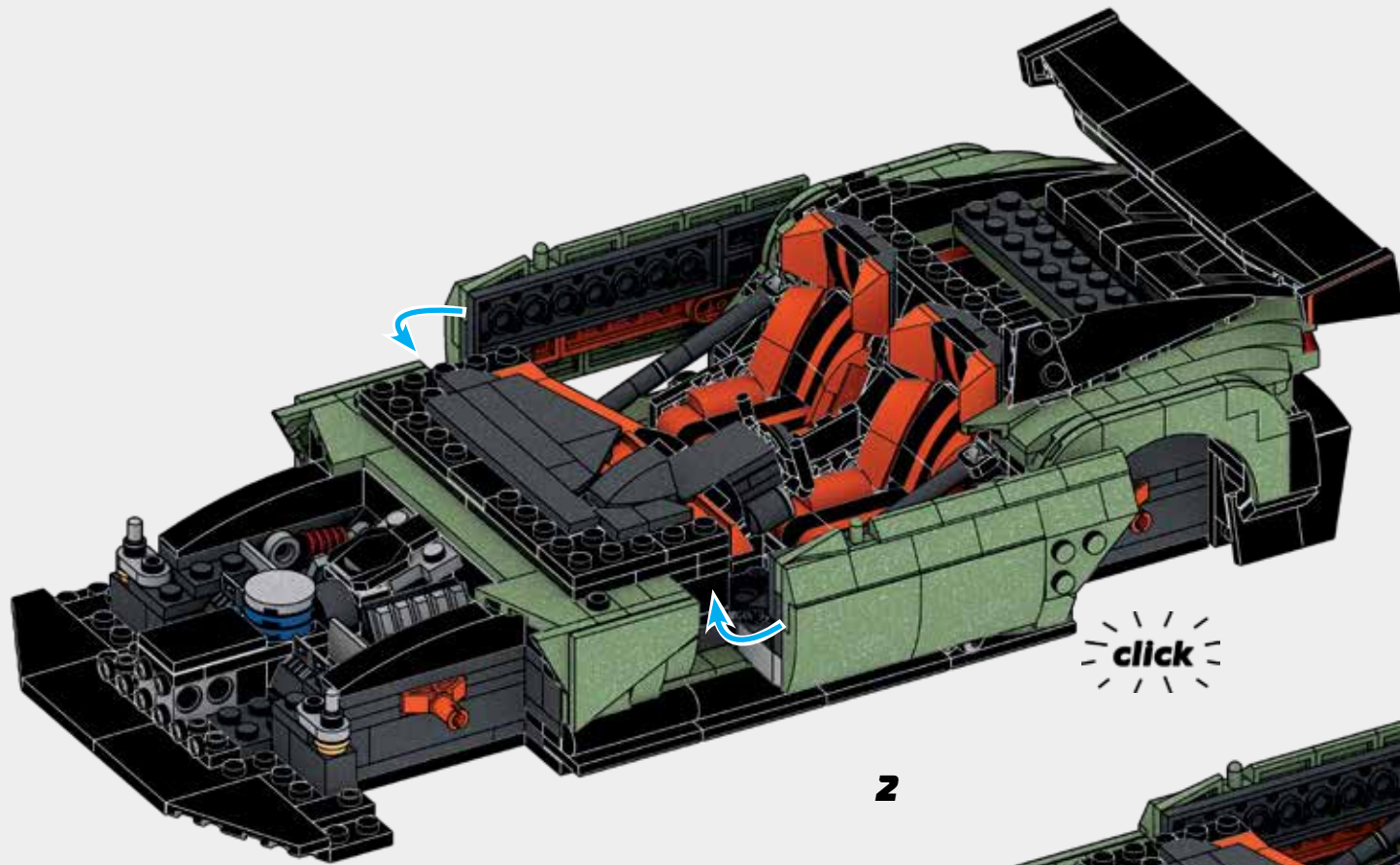


123

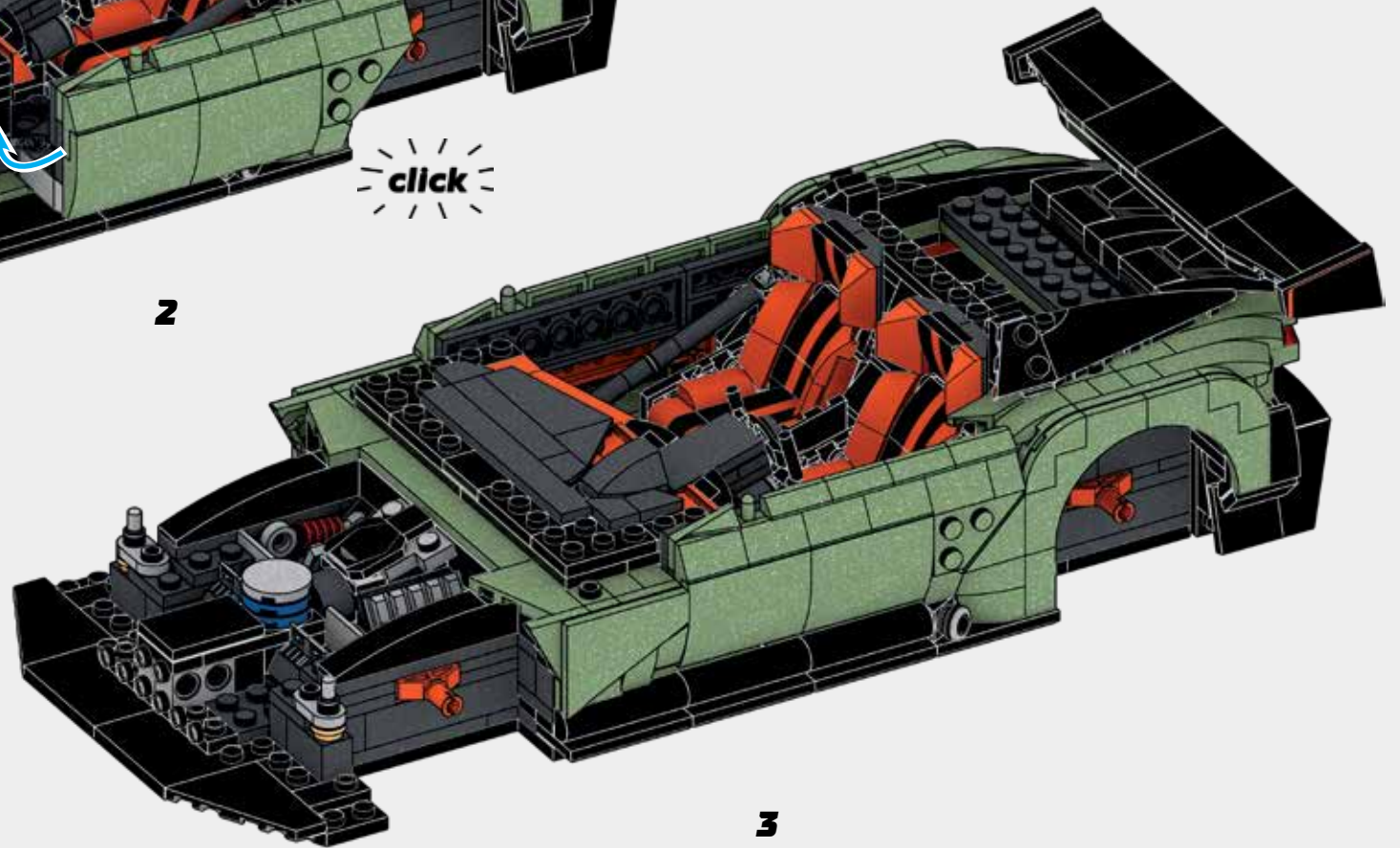


124



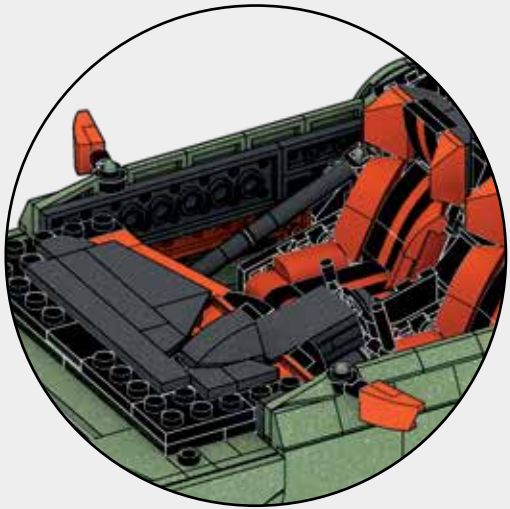
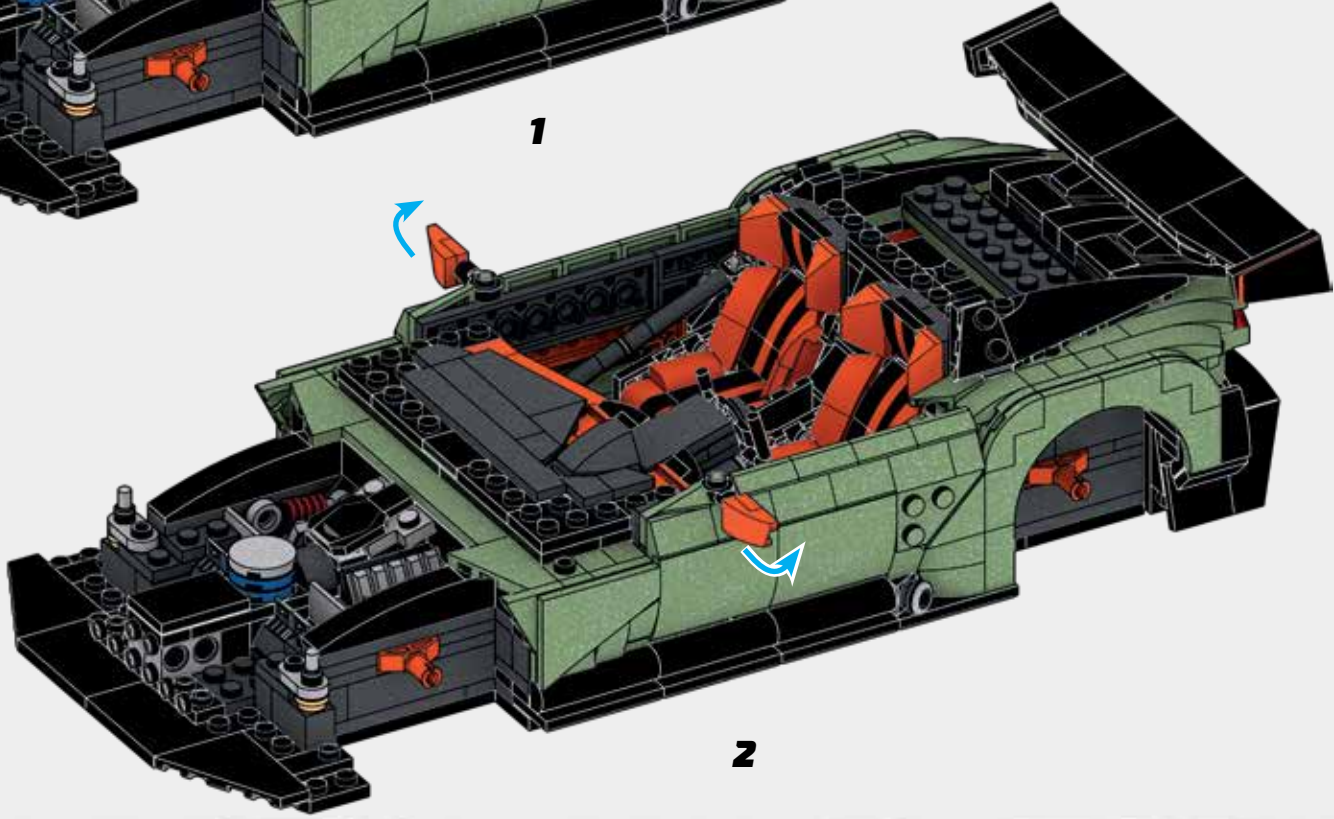
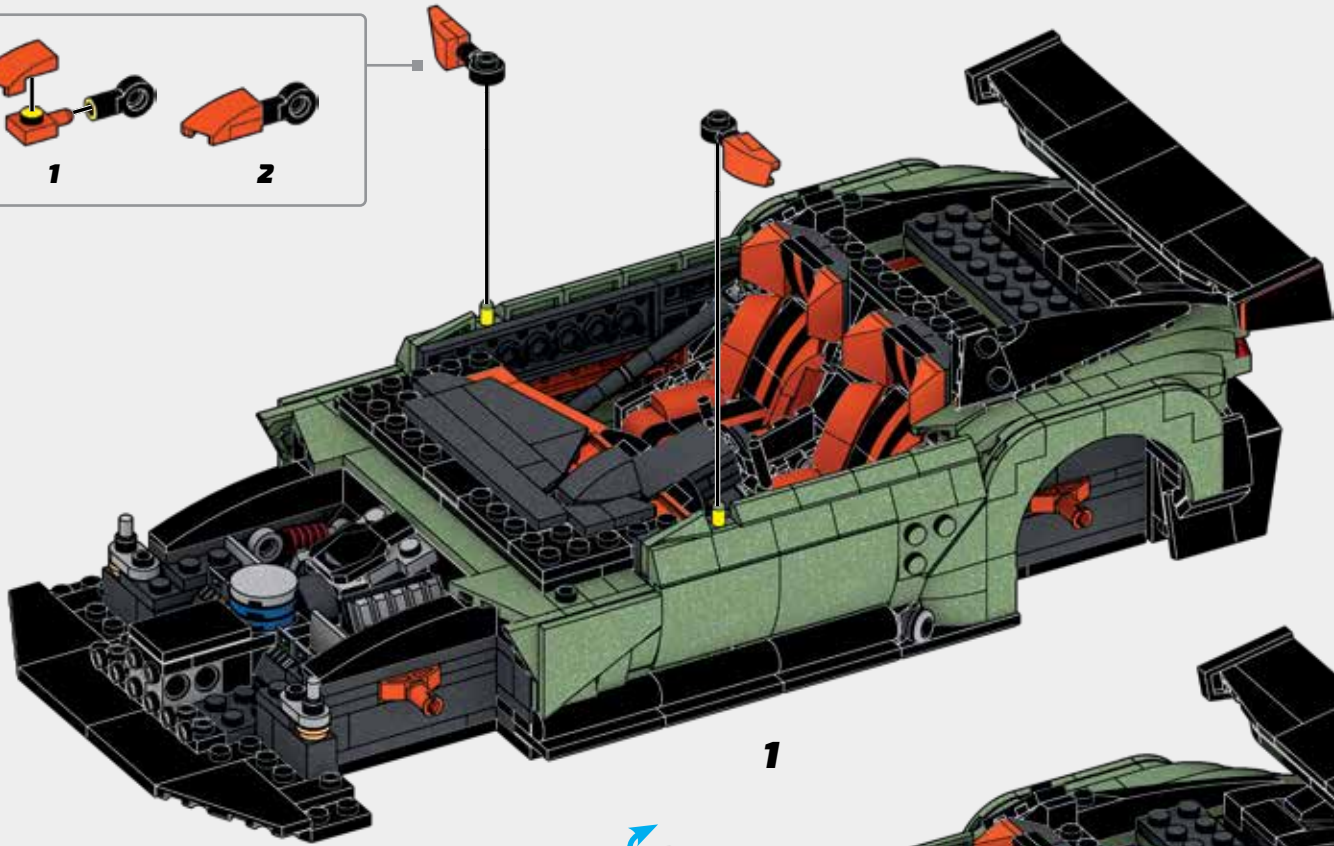
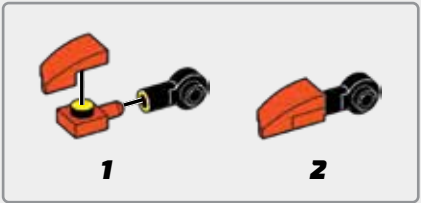
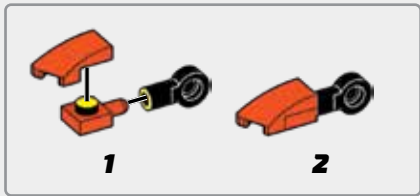
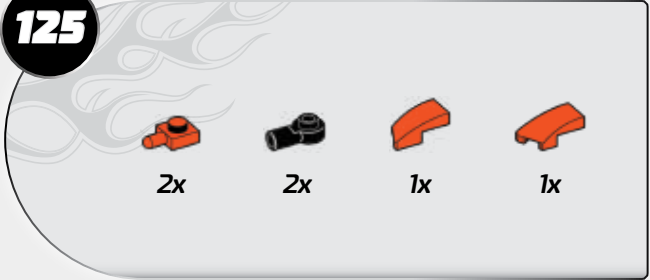


2



3

125



126



2x



2x



2x



1



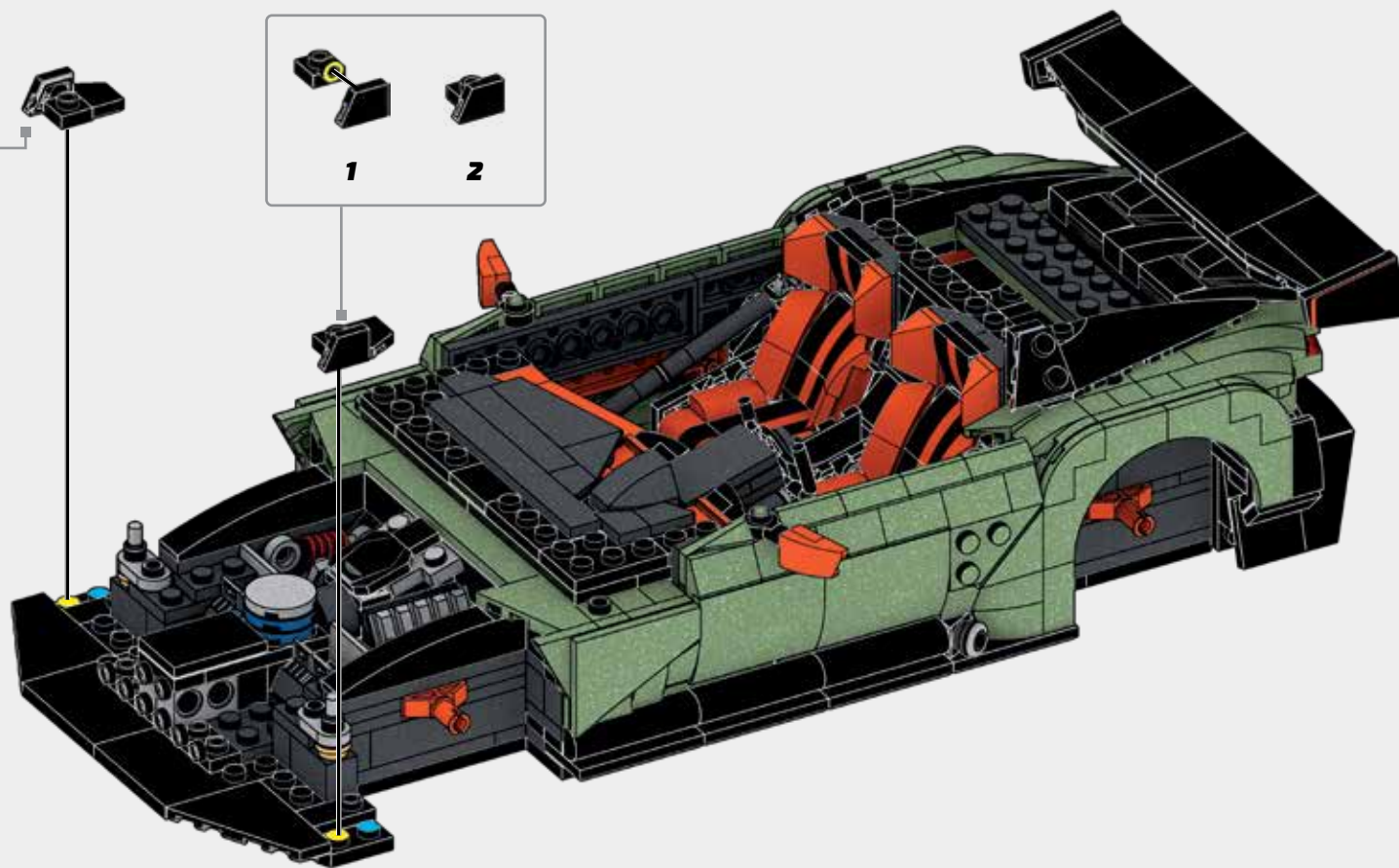
2



1

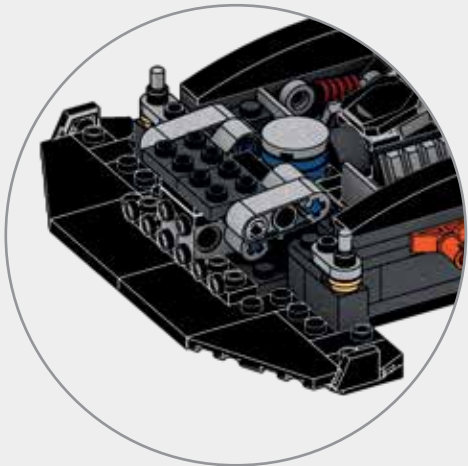
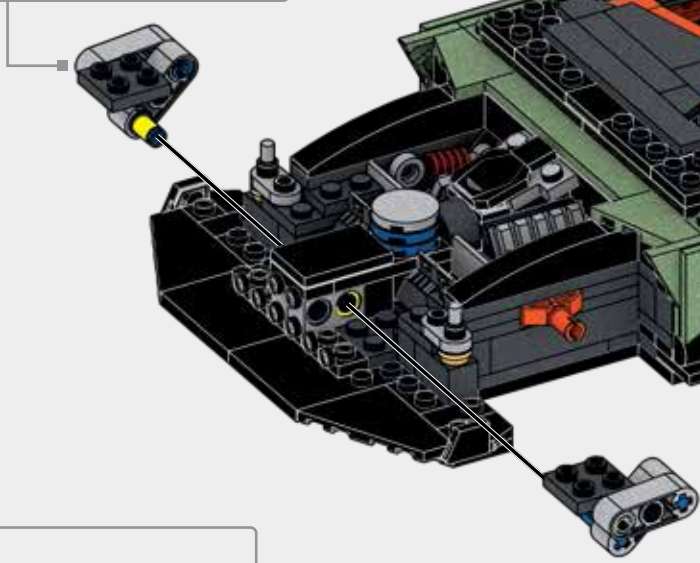
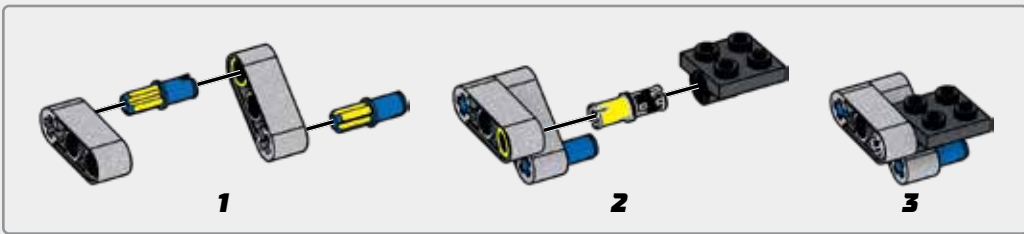


2



127

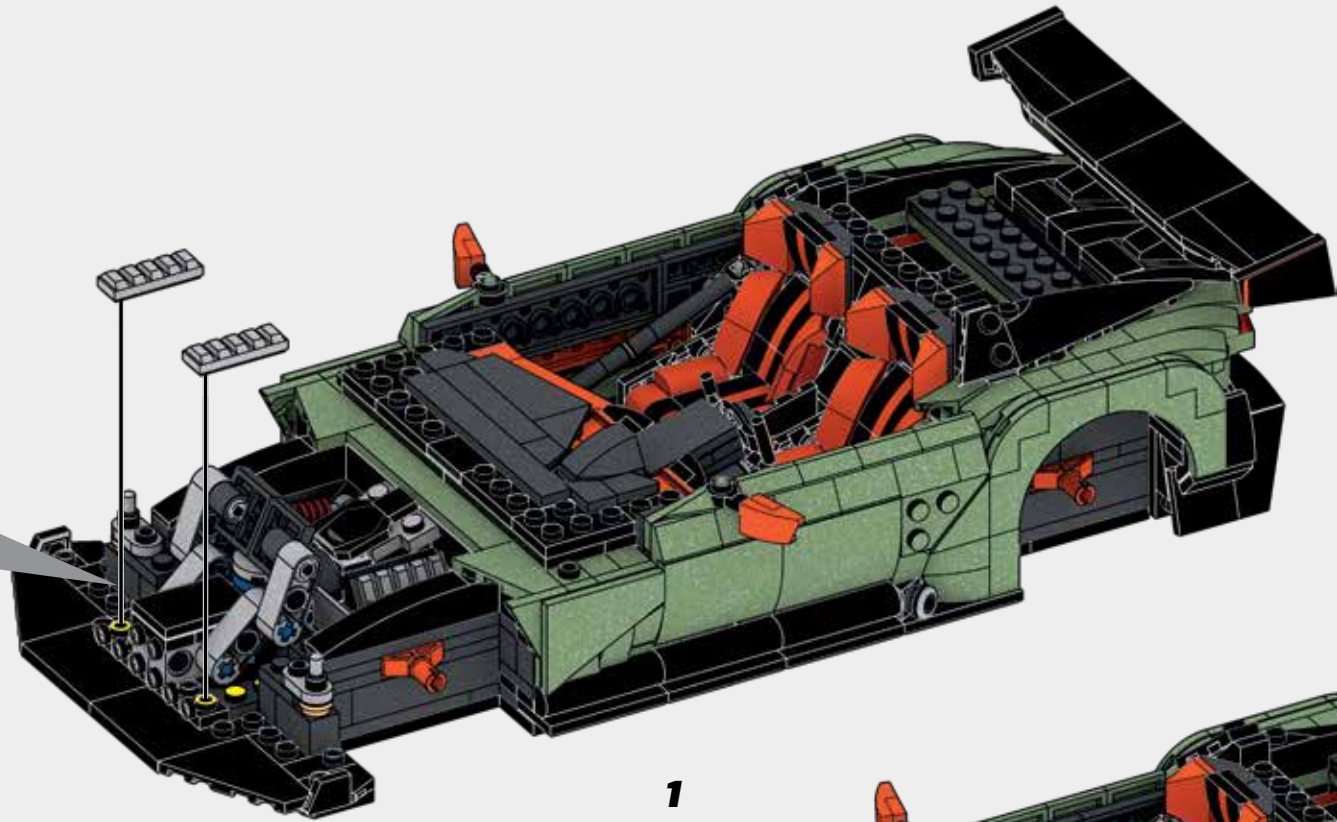
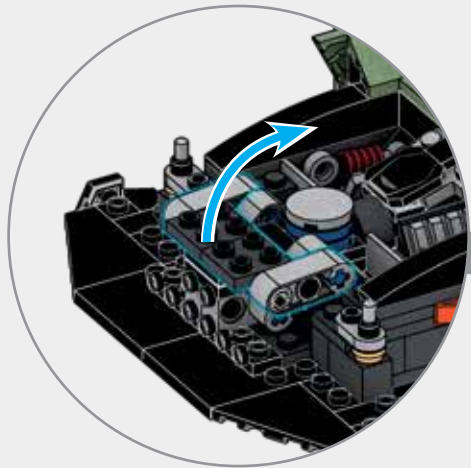
- 4x 
- 2x 
- 2x 
- 4x 



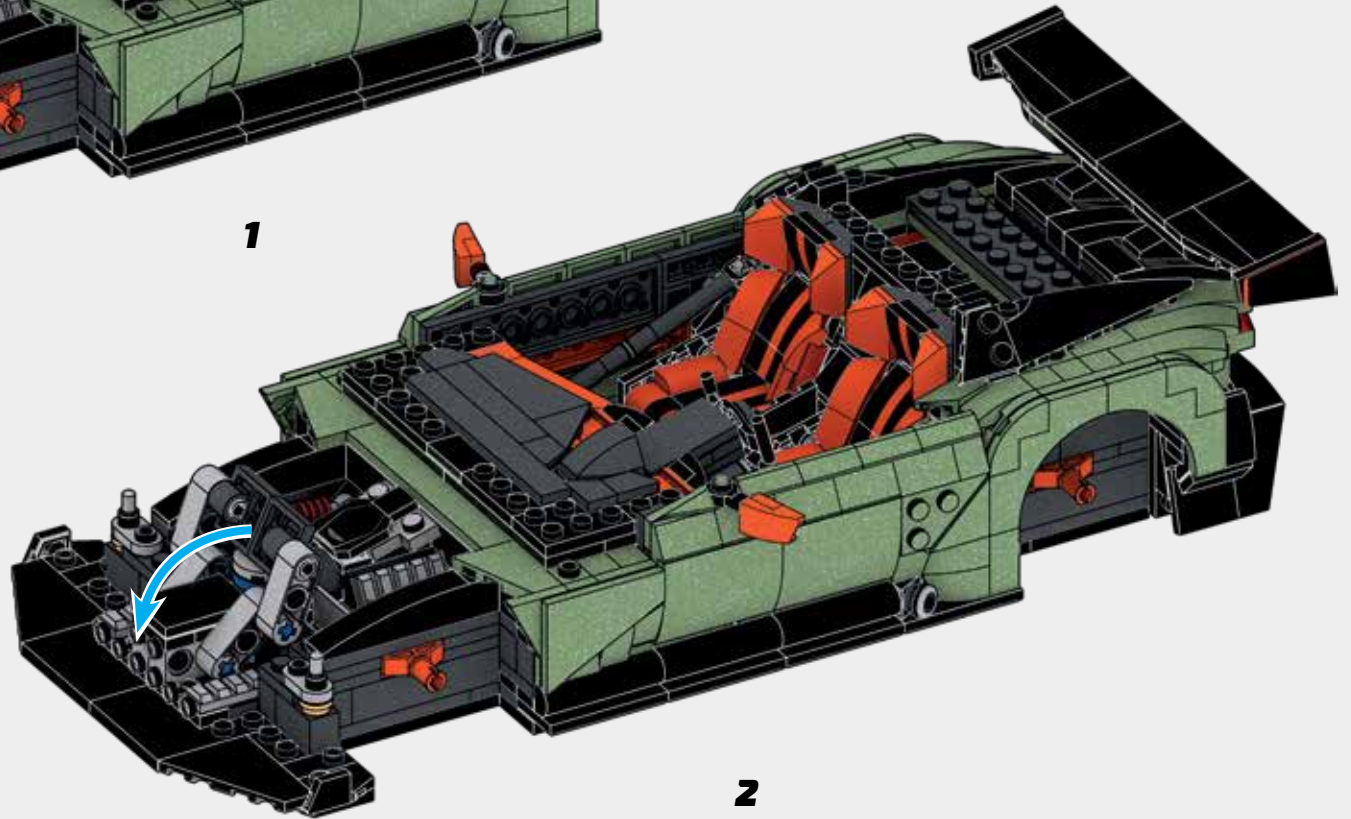
128



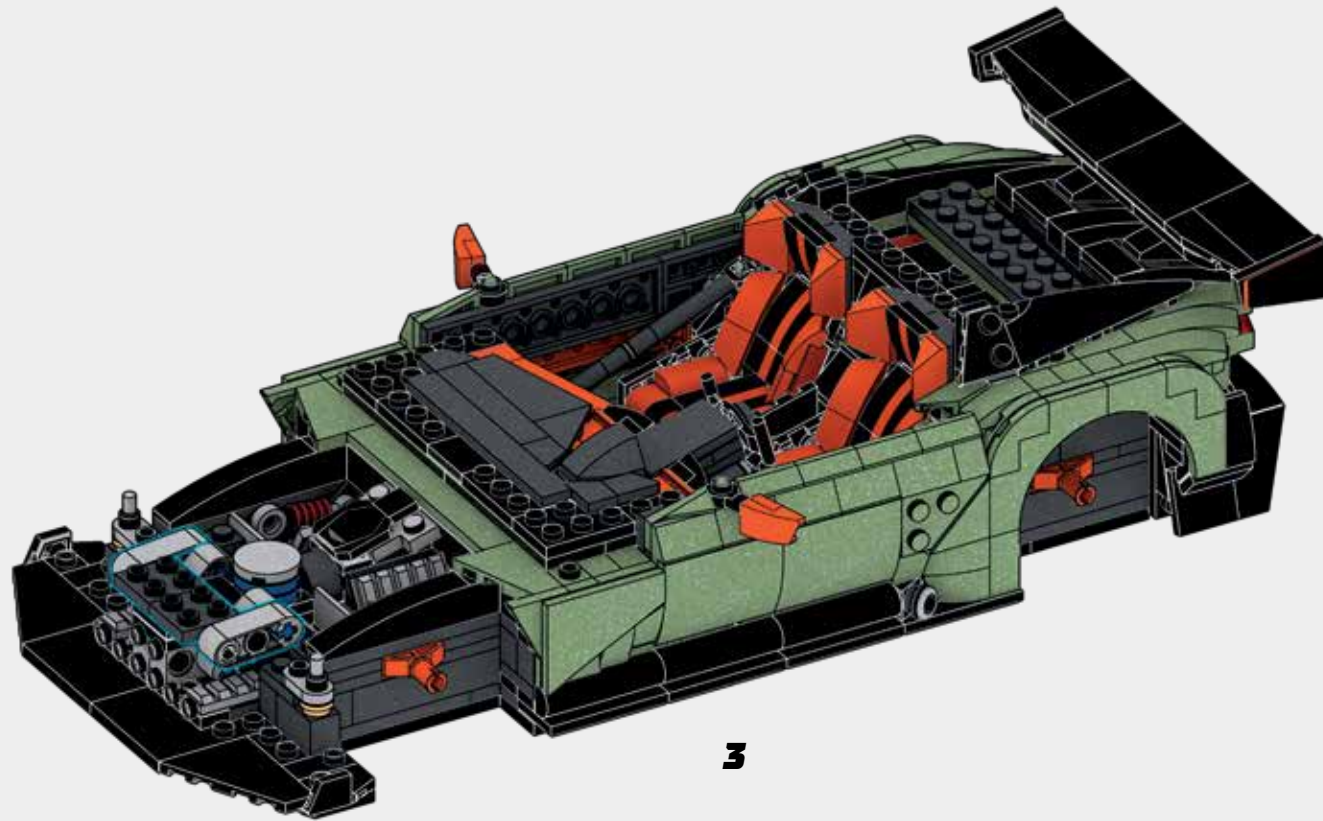
2x



1



2



3

129

1x 1x 1x 2x



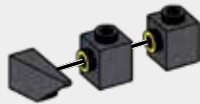
1



2

130

2x 1x



1



2

131

1x 1x



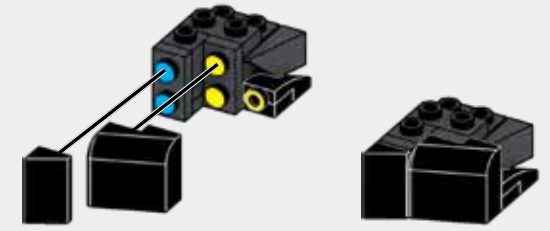
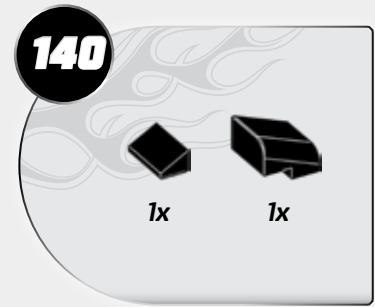
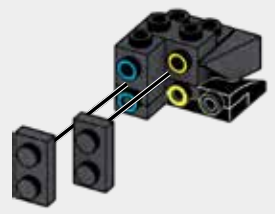
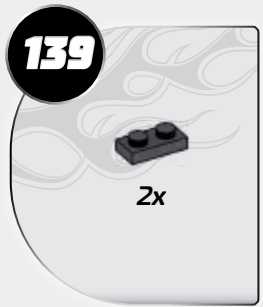
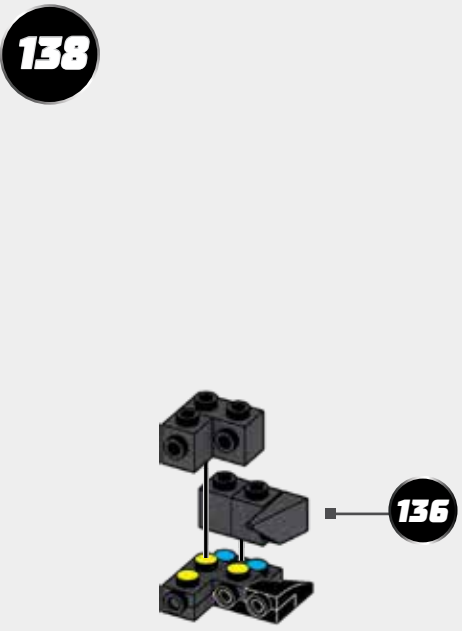
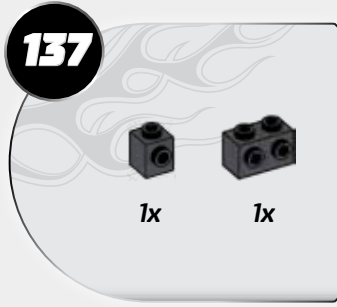
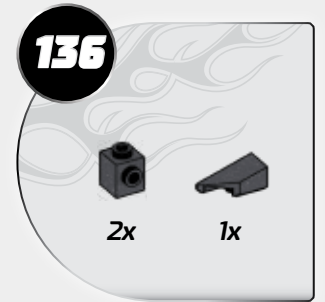
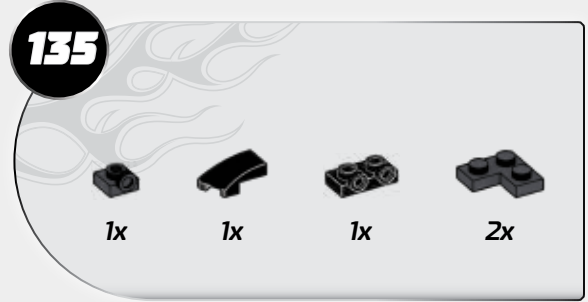
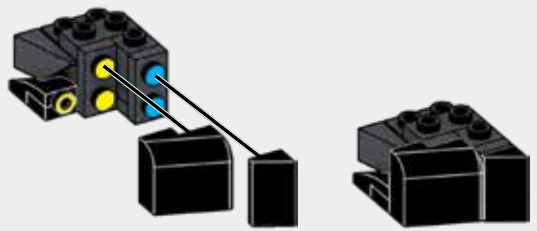
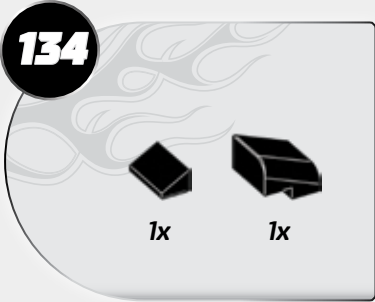
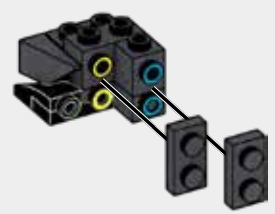
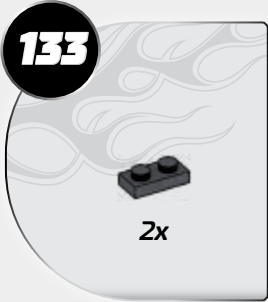
1



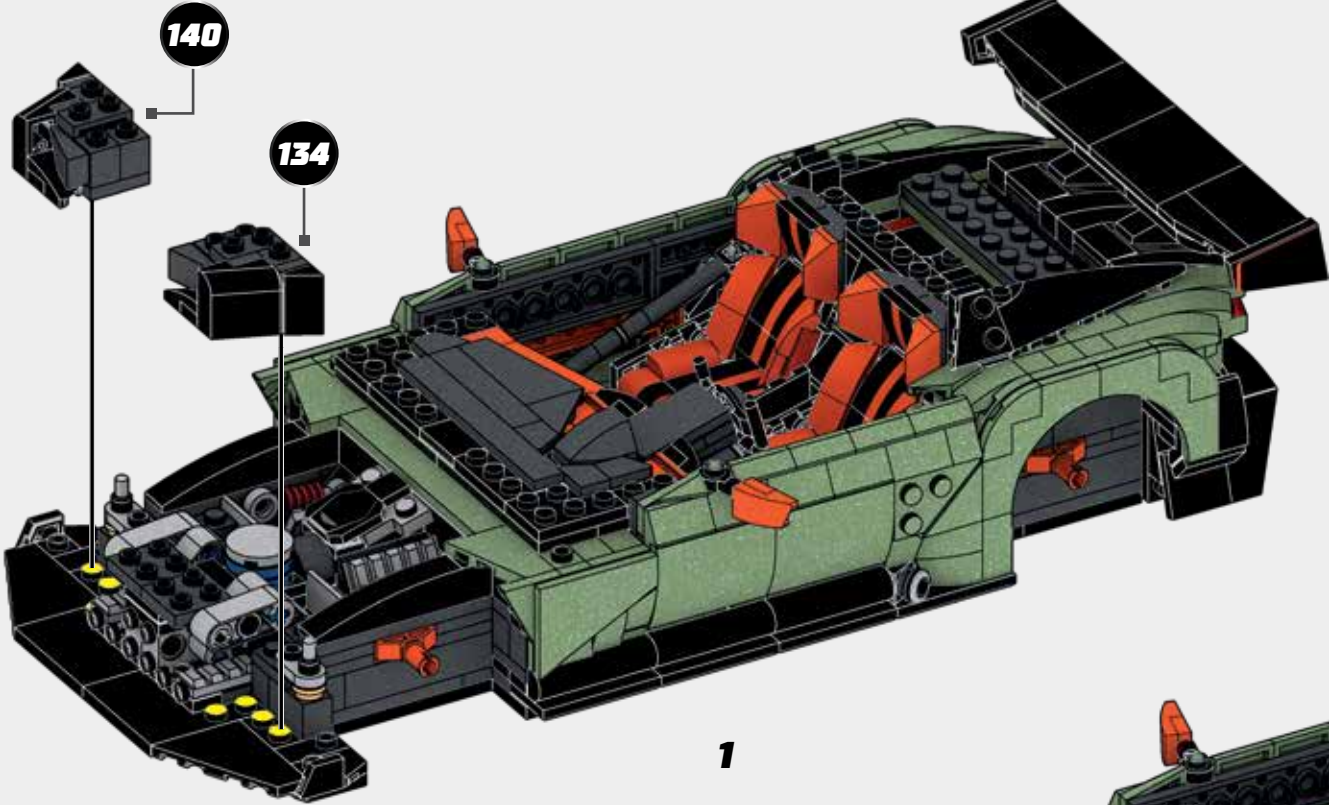
2

132

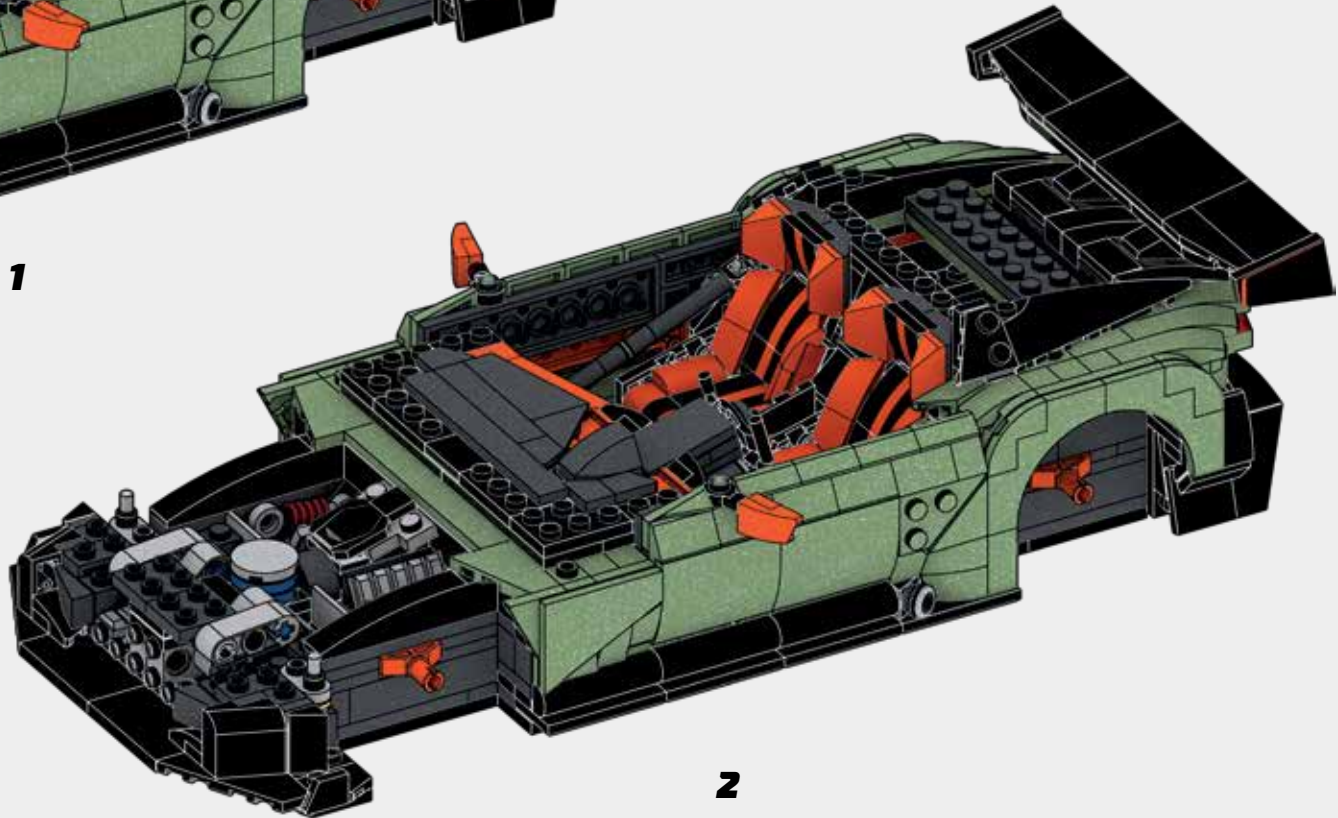
130



141



1



2

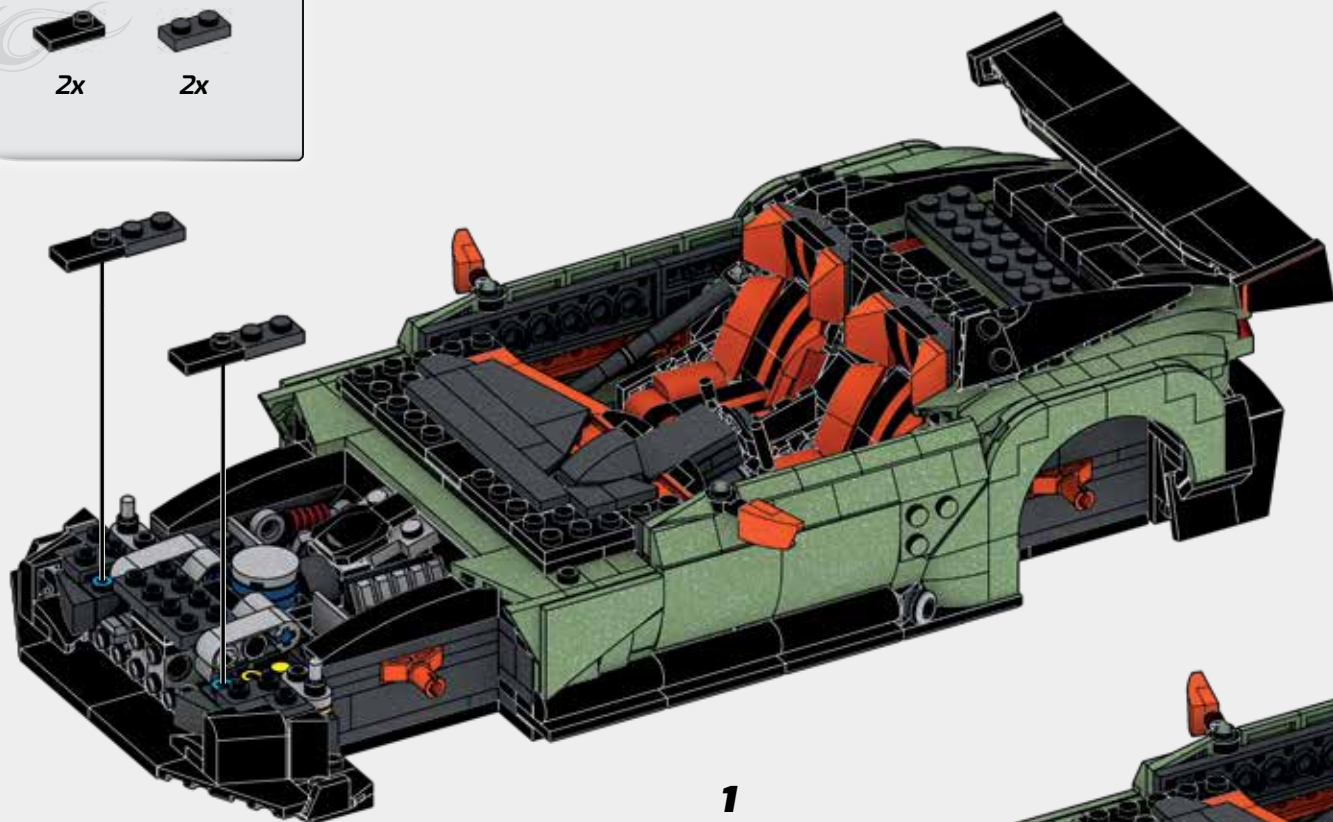
142



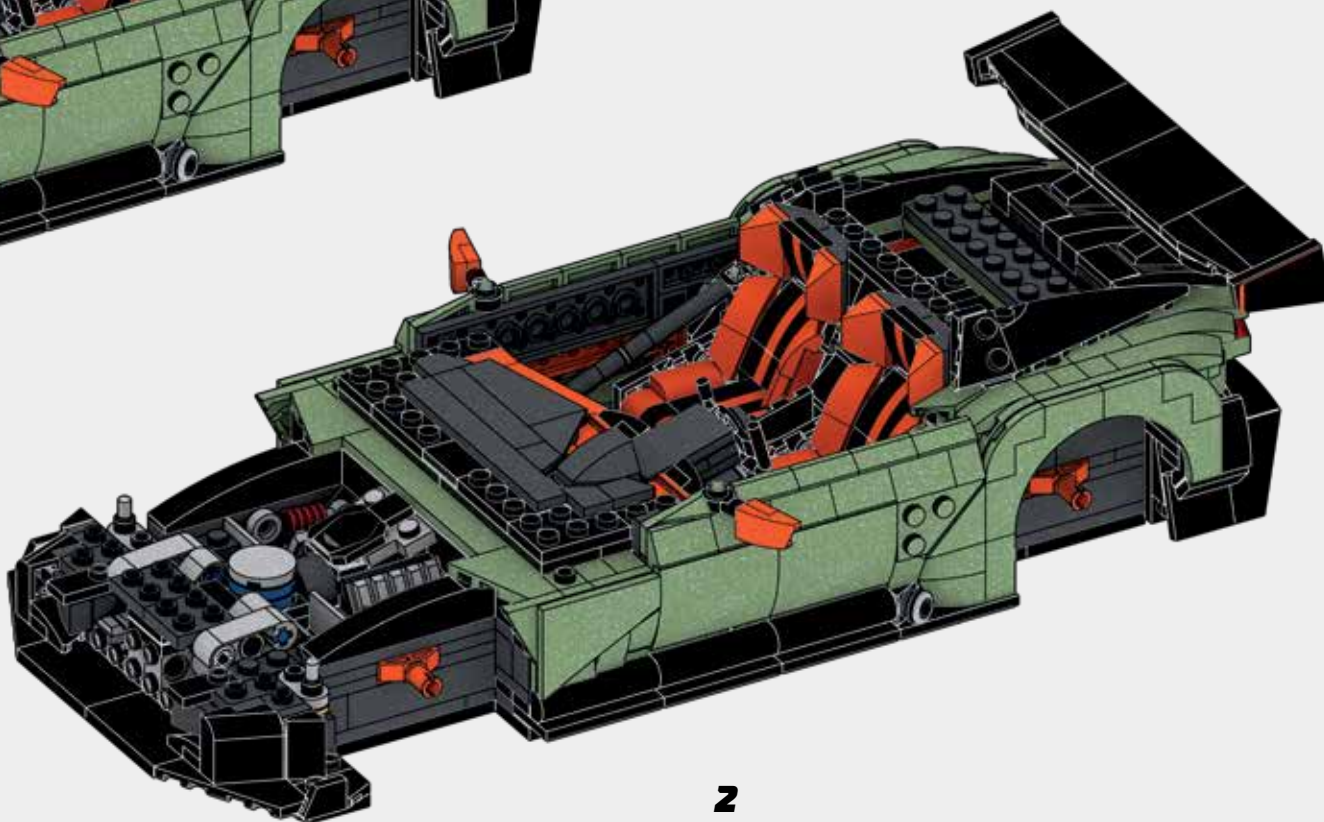
2x



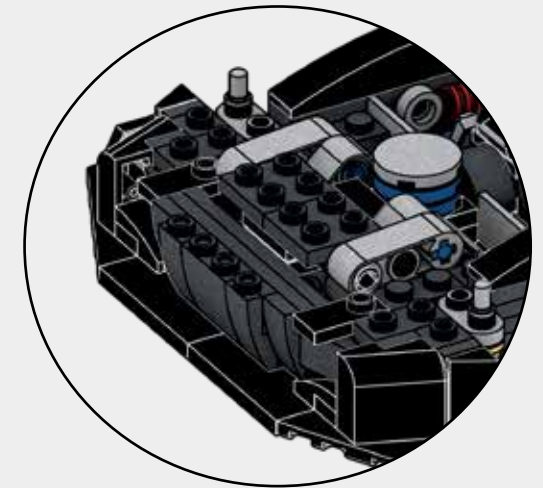
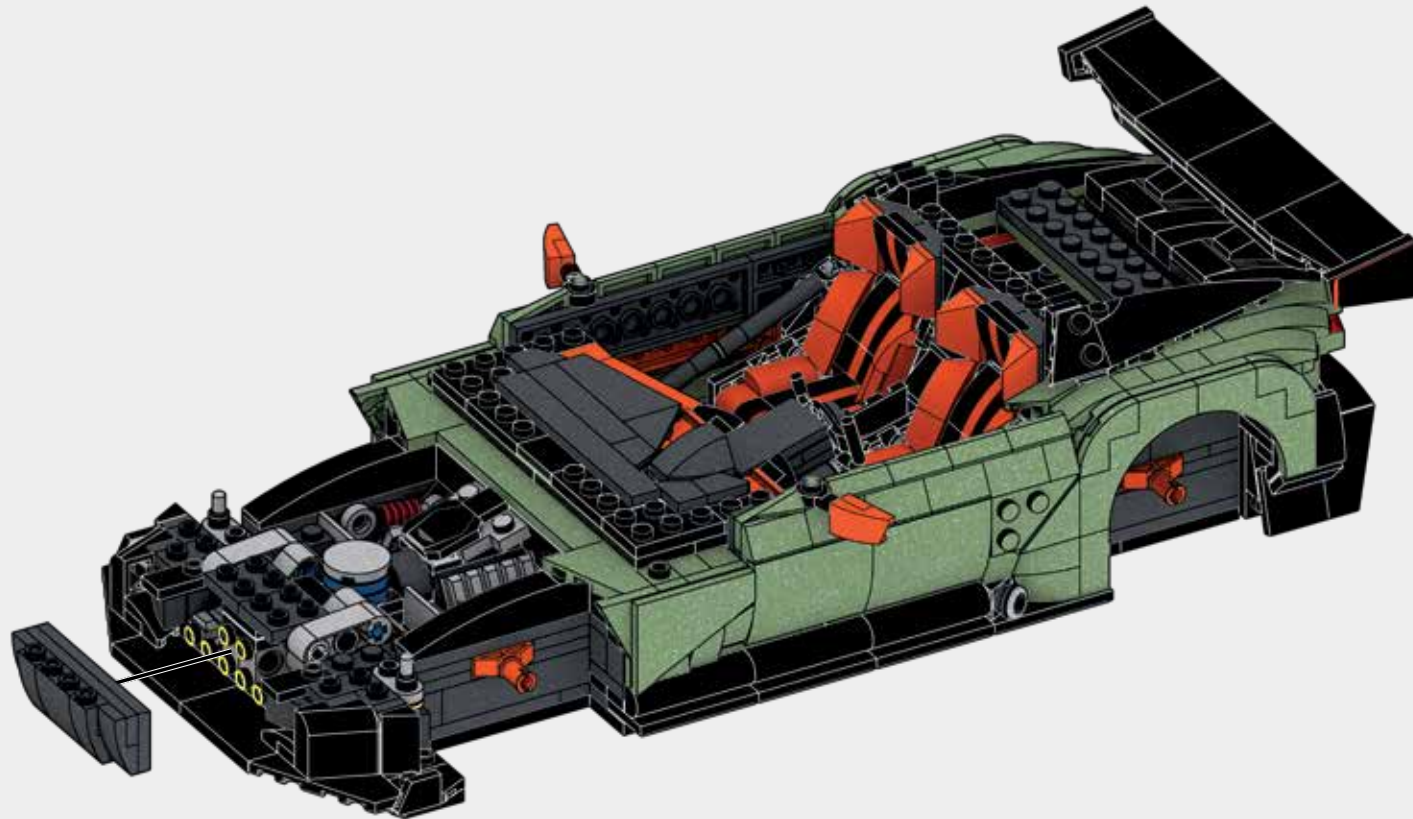
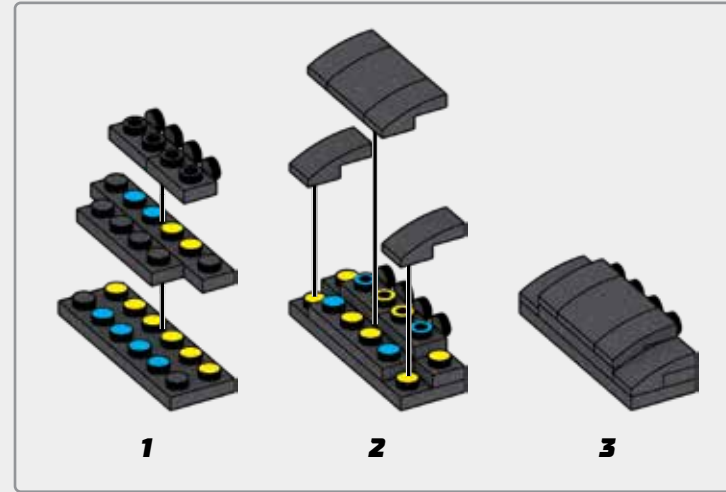
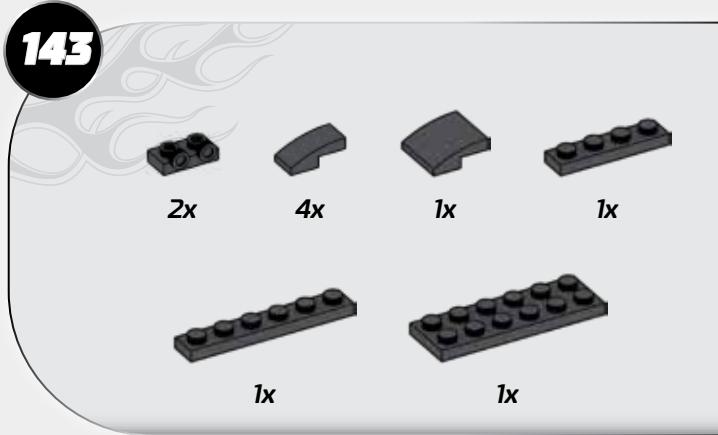
2x



1

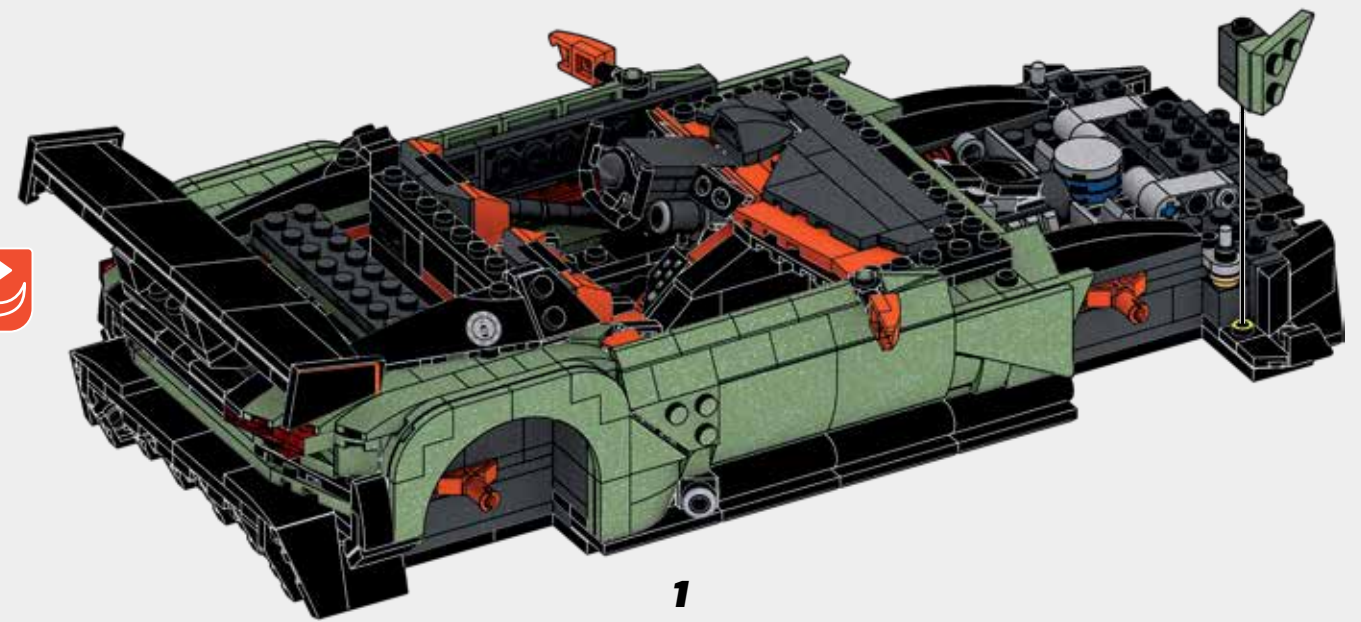


2

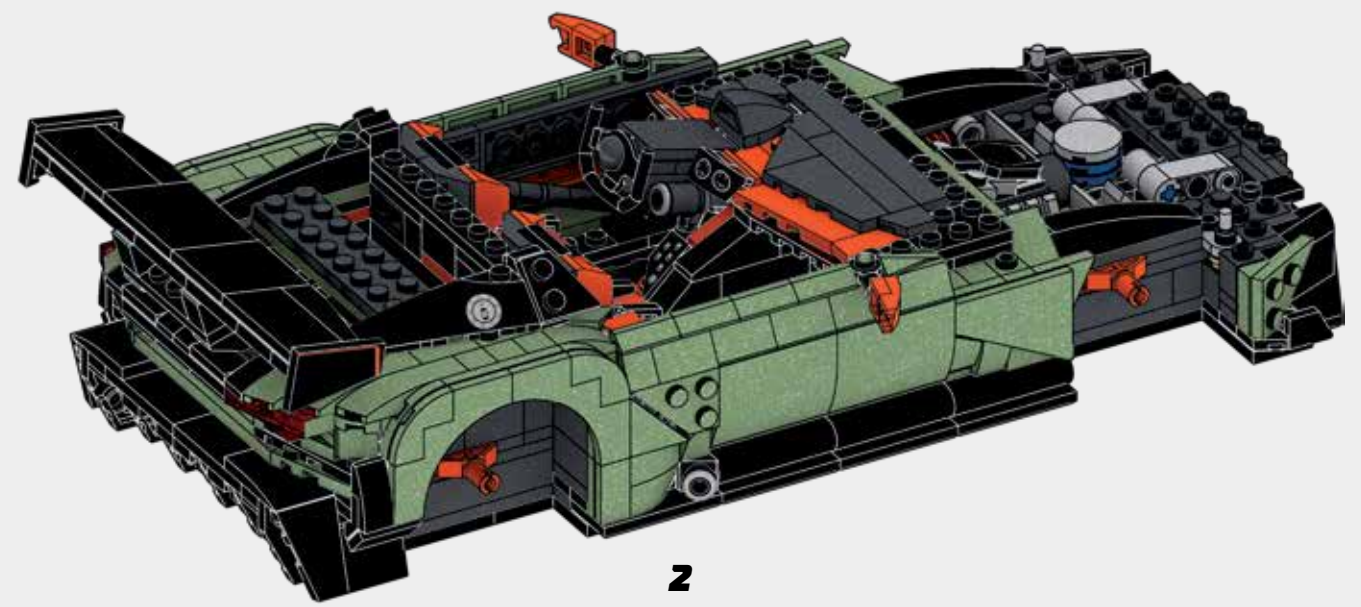


144

- 1x [1x black 1/2 brick with hole]
- 1x [1x black 1/2 brick with hole]
- 1x [1x black 1/2 brick with hole]
- 1x [1x green 1/2 brick with hole]
- 1x [1x green 1/2 brick with hole]

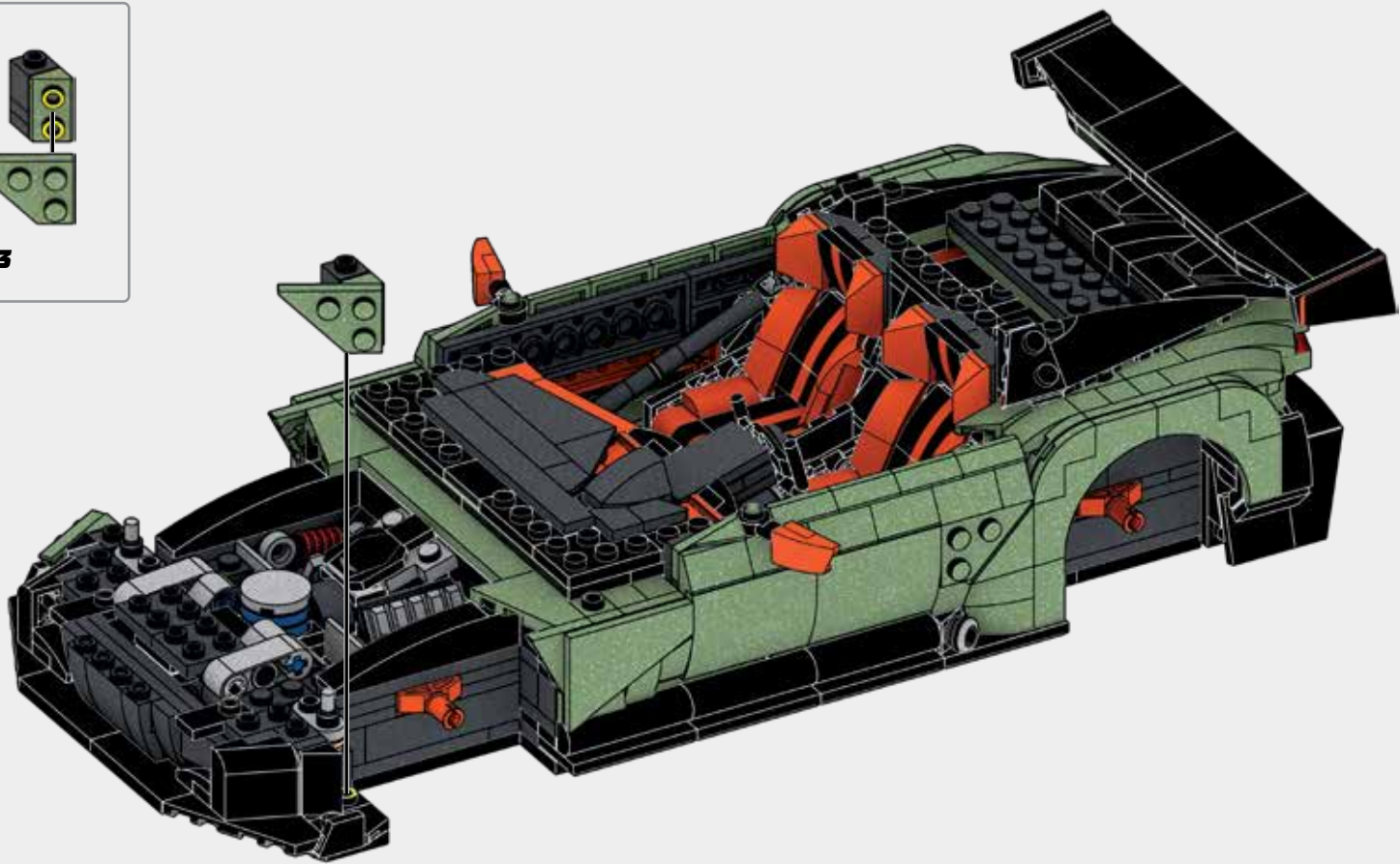
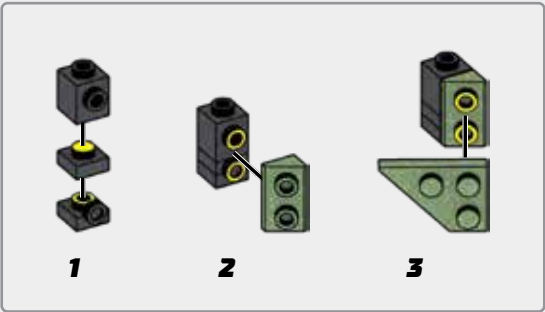


1



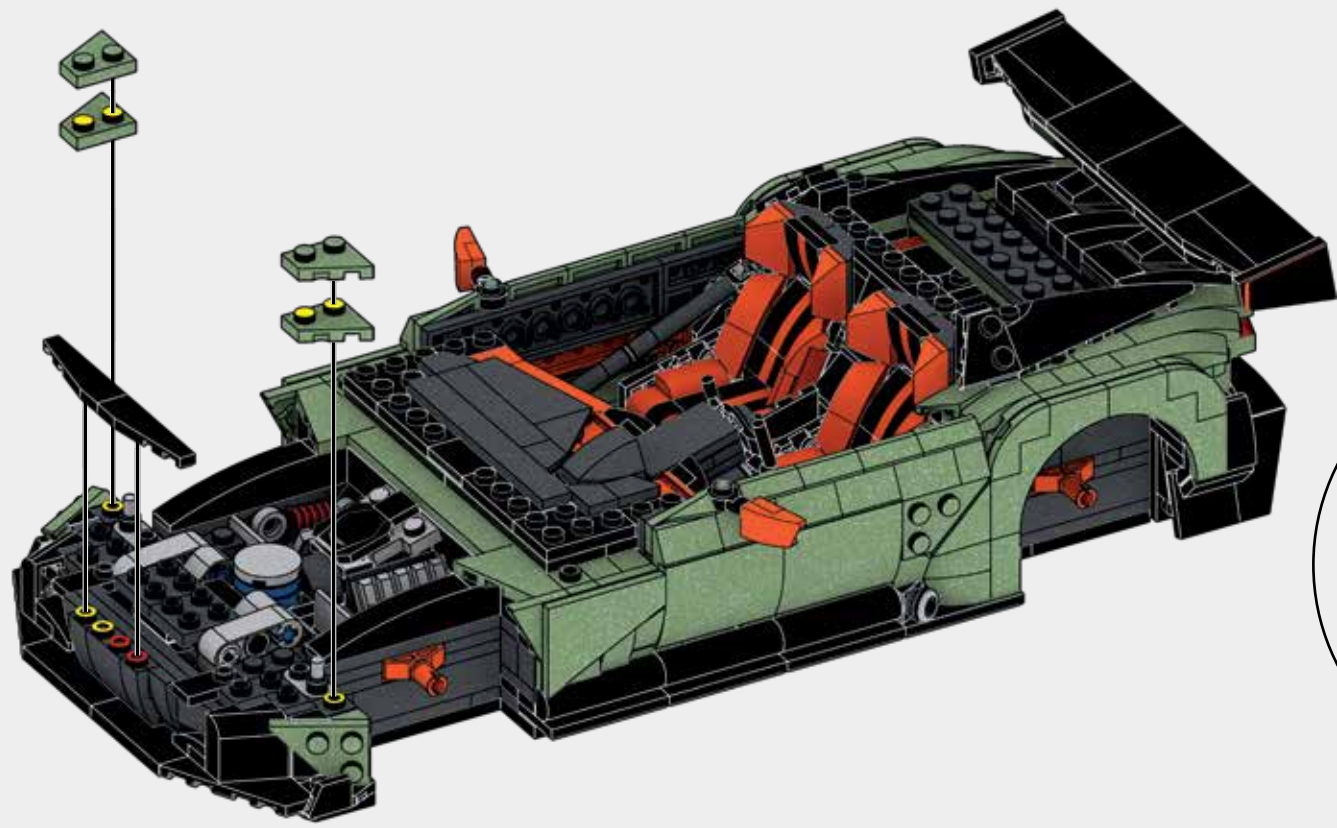
2

145



146

- 2x
- 2x
- 1x
- 1x



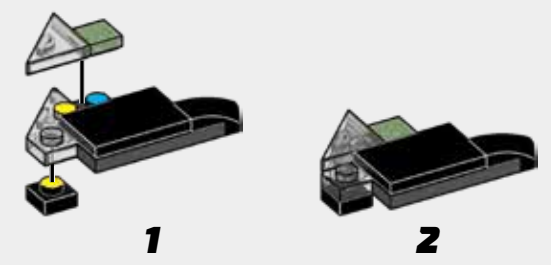
147

- 1x
- 1x
- 1x
- 1x
- 1x

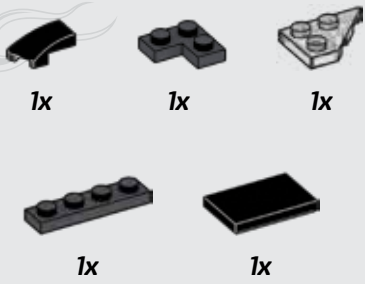


148

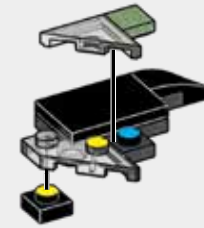
- 1x
- 1x
- 1x



149



150



1

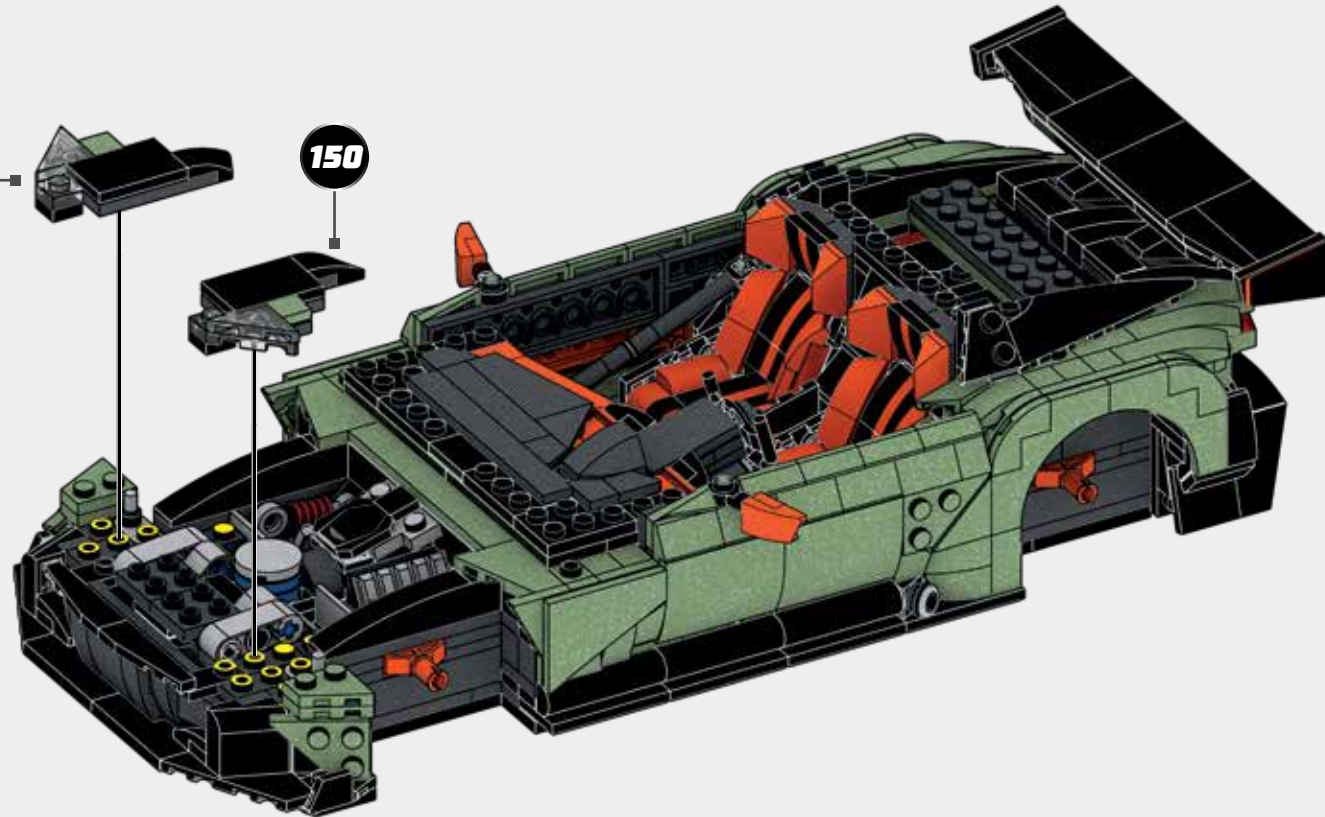


2

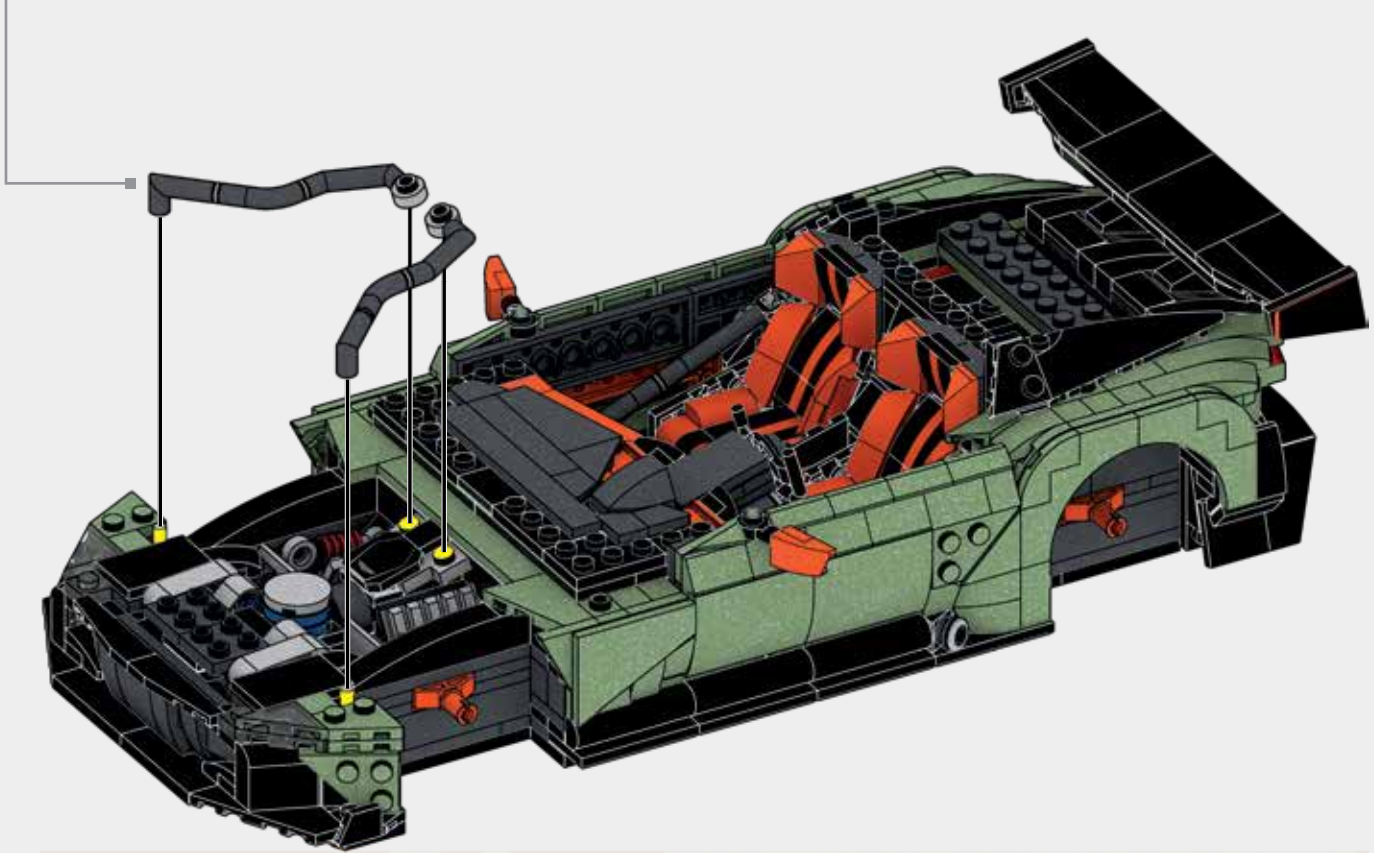
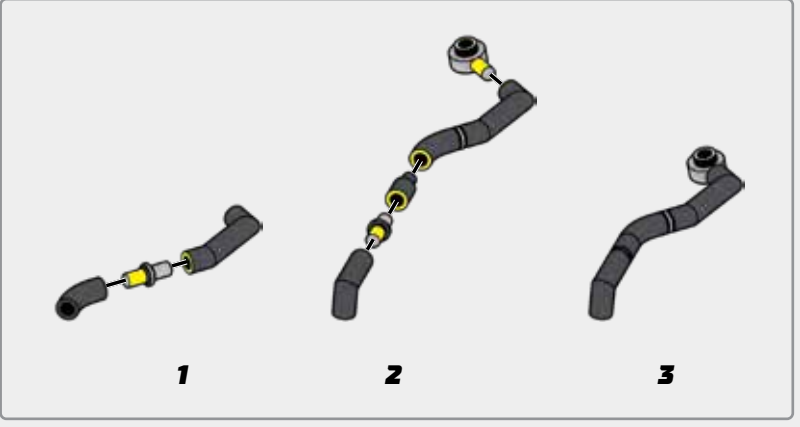
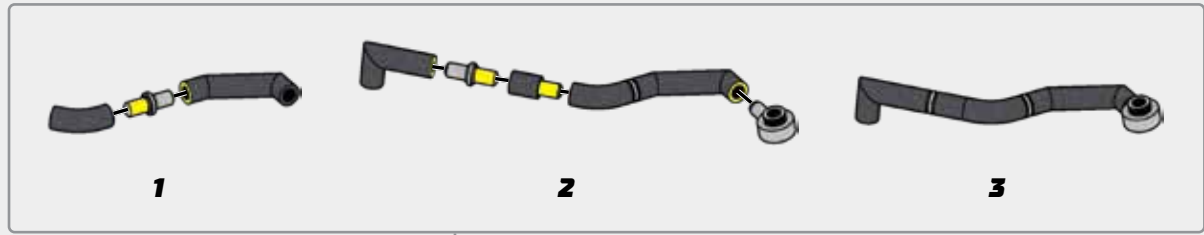
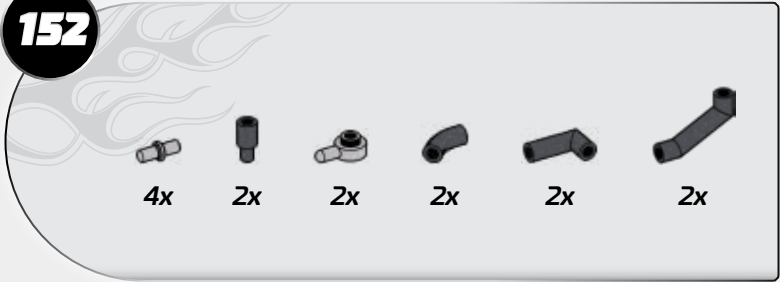
151

148

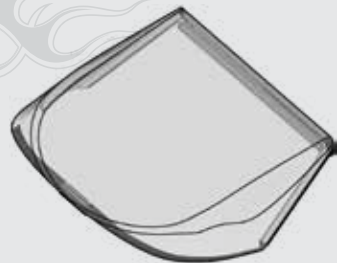
150



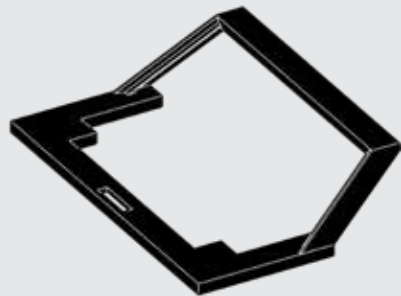
152



153



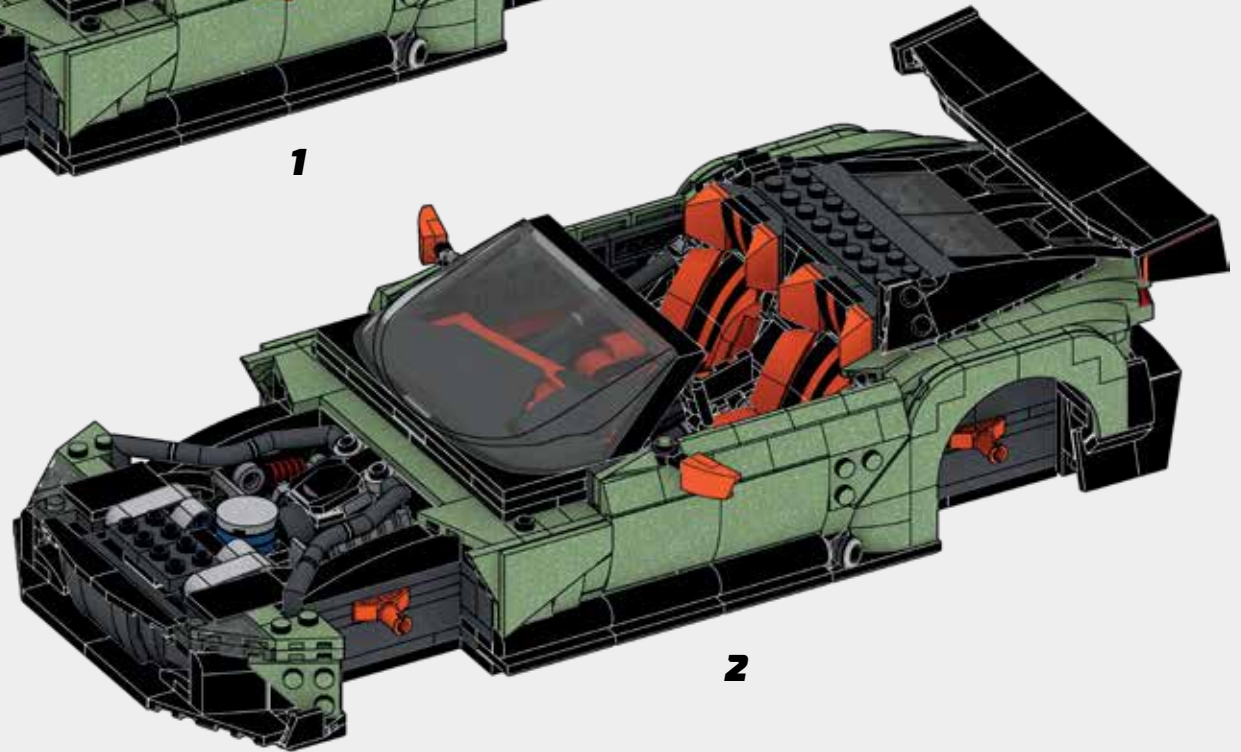
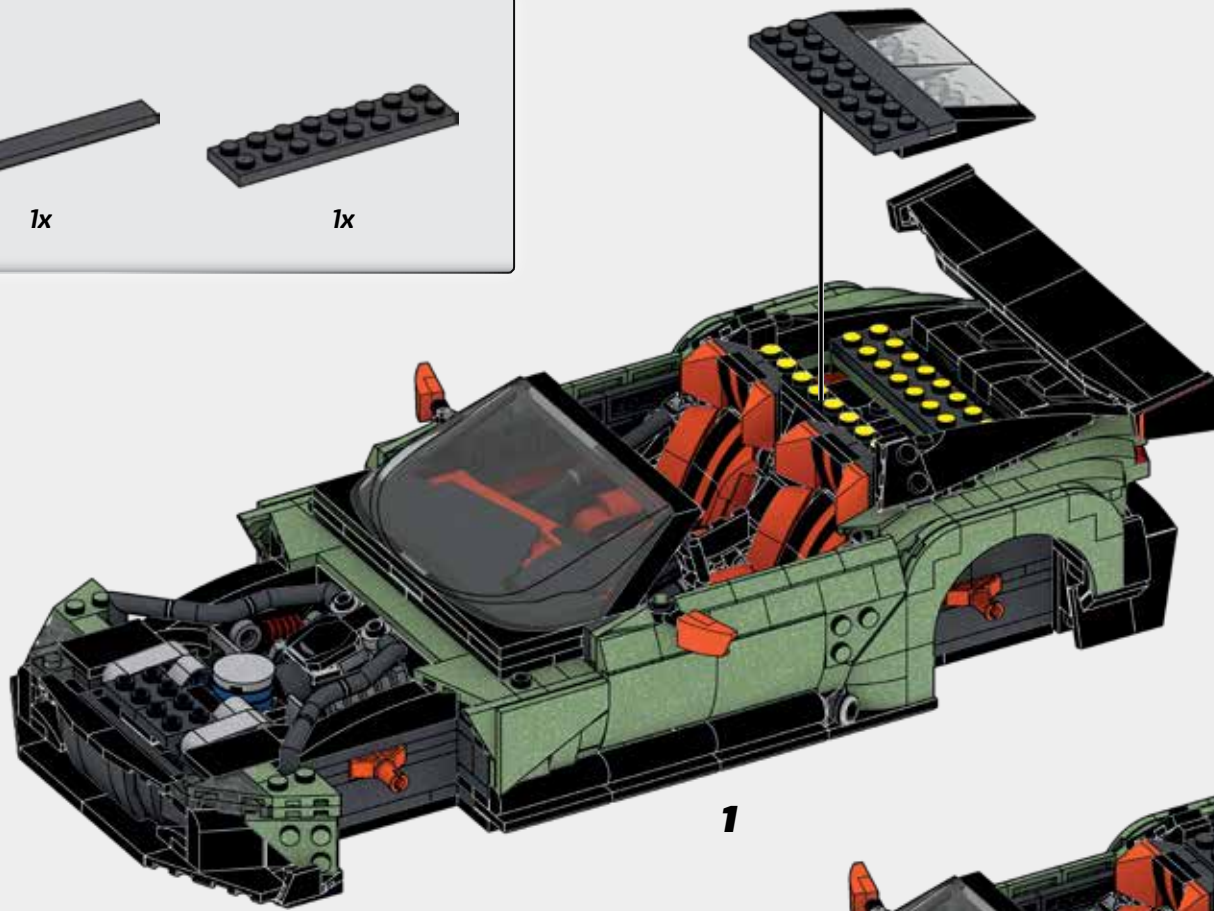
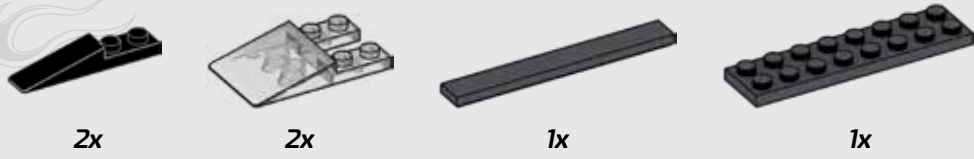
1x



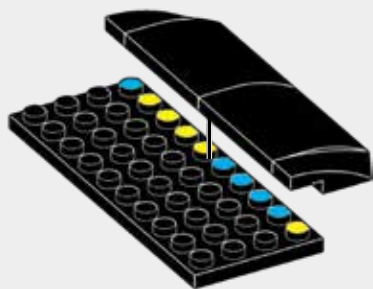
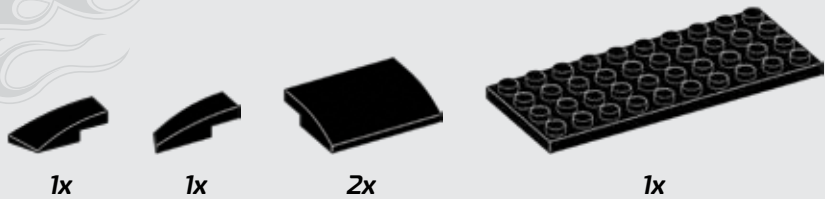
1x



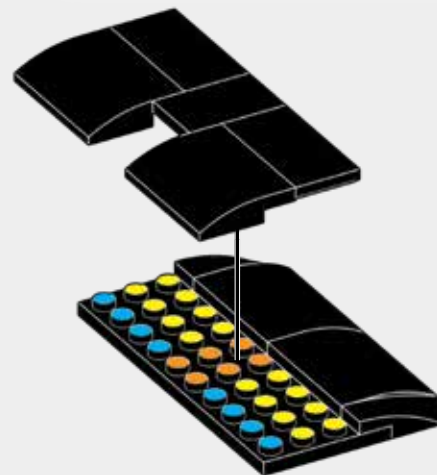
154



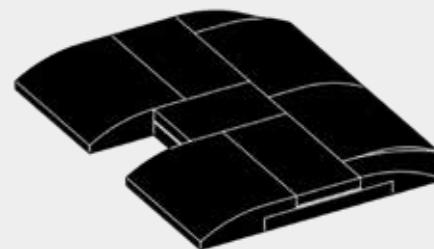
155



156

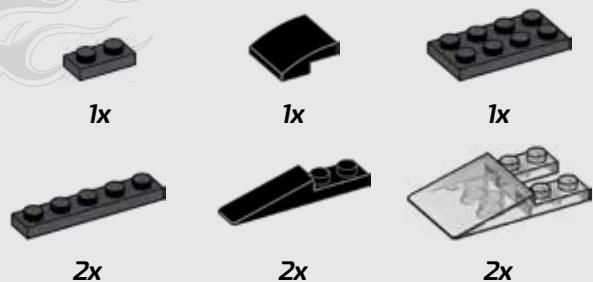


1



2

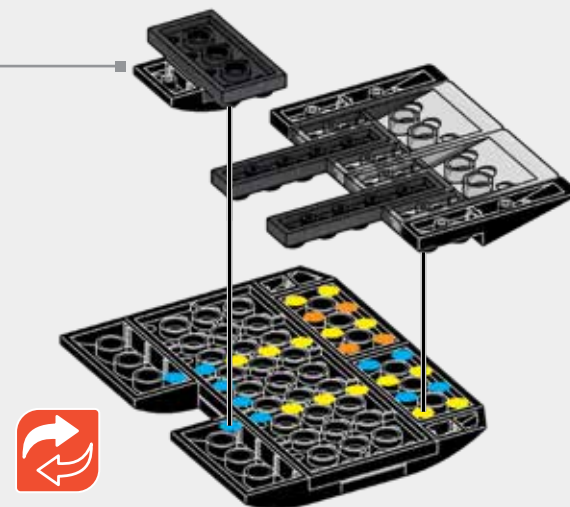
157



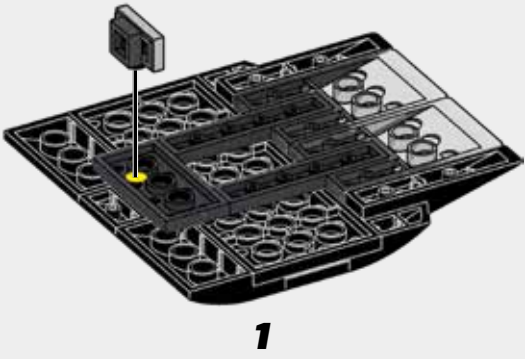
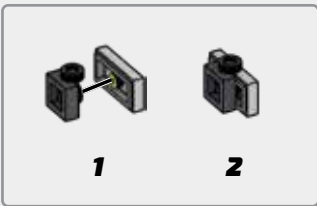
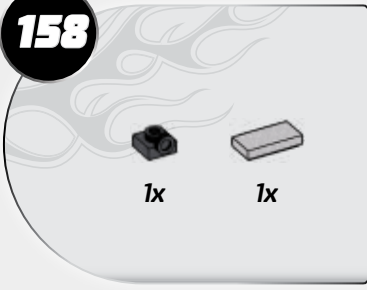
1



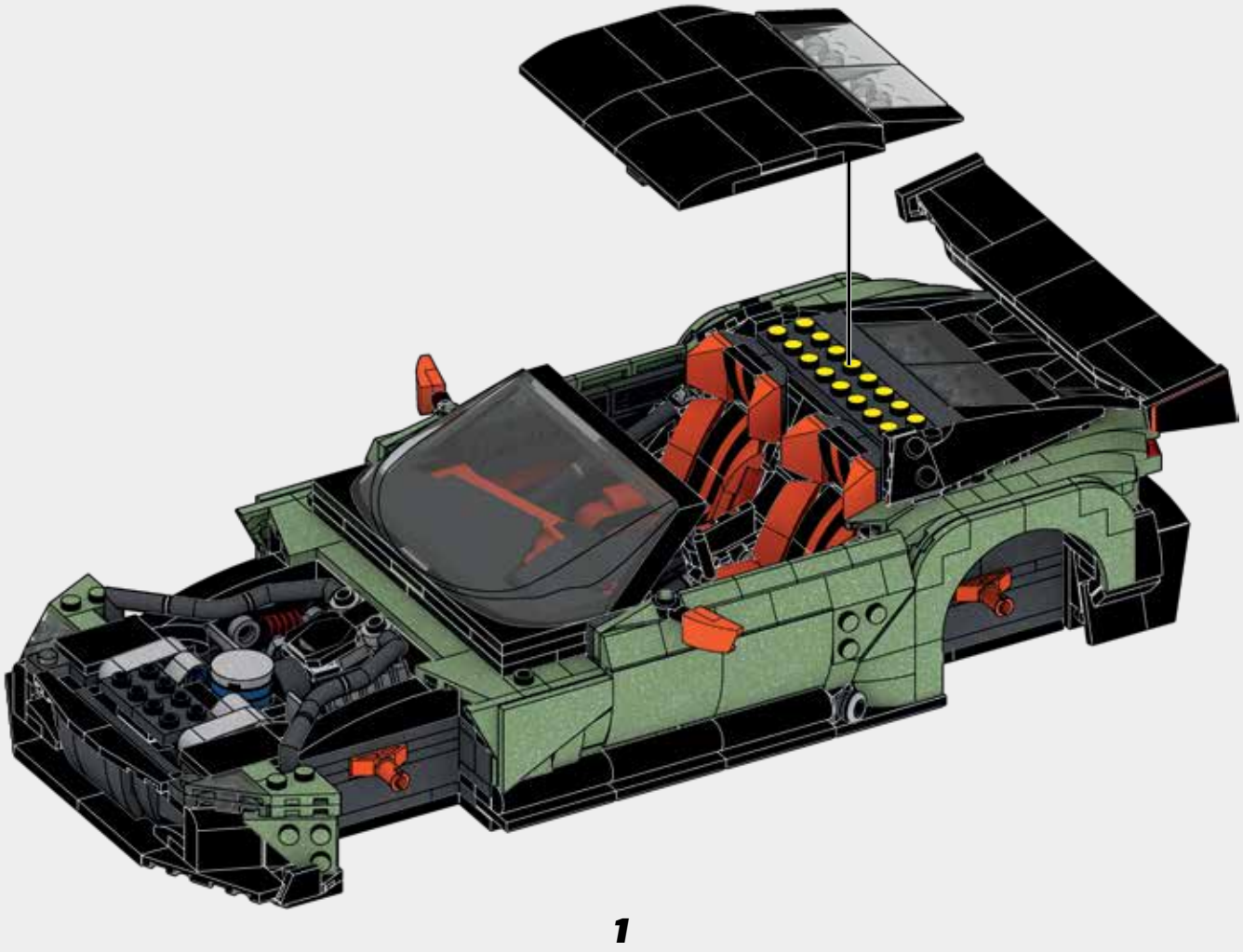
2

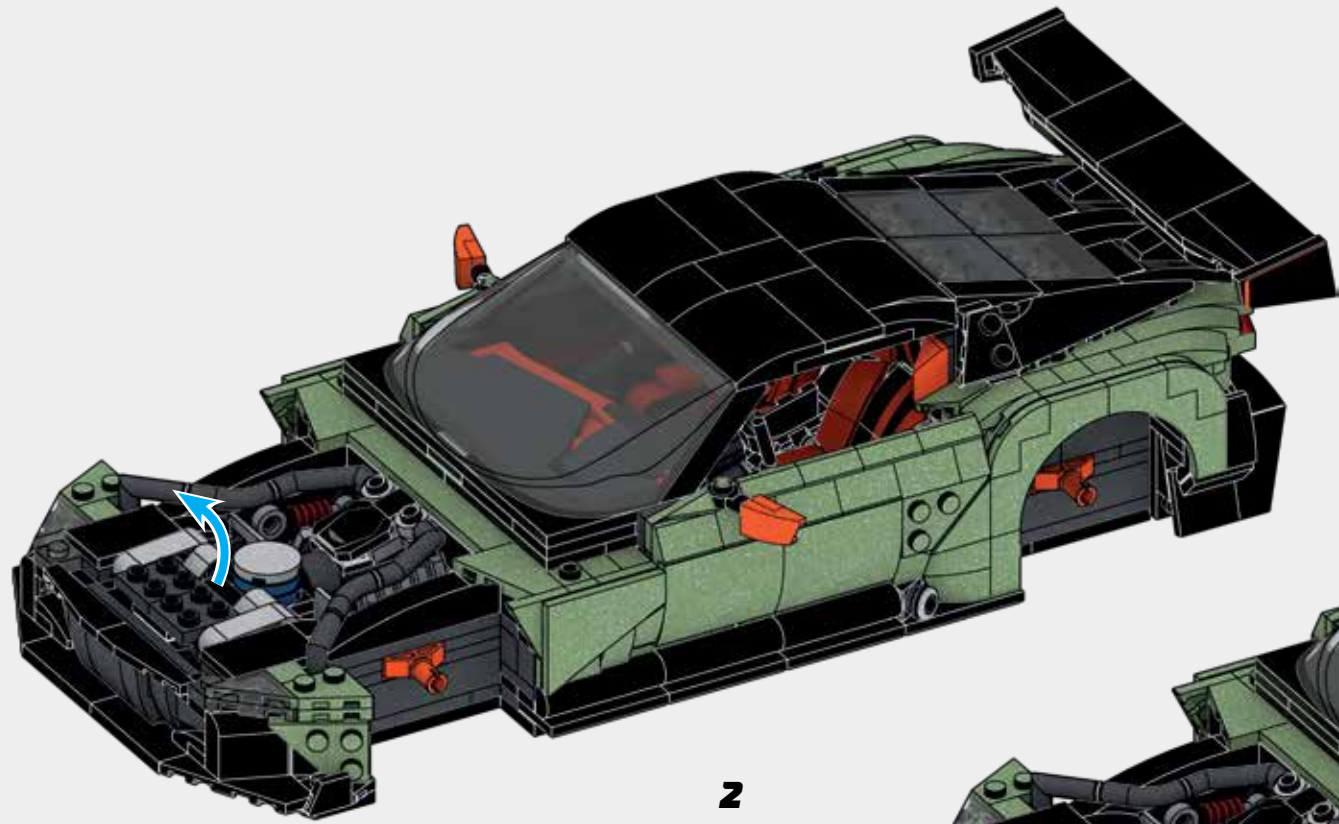


158

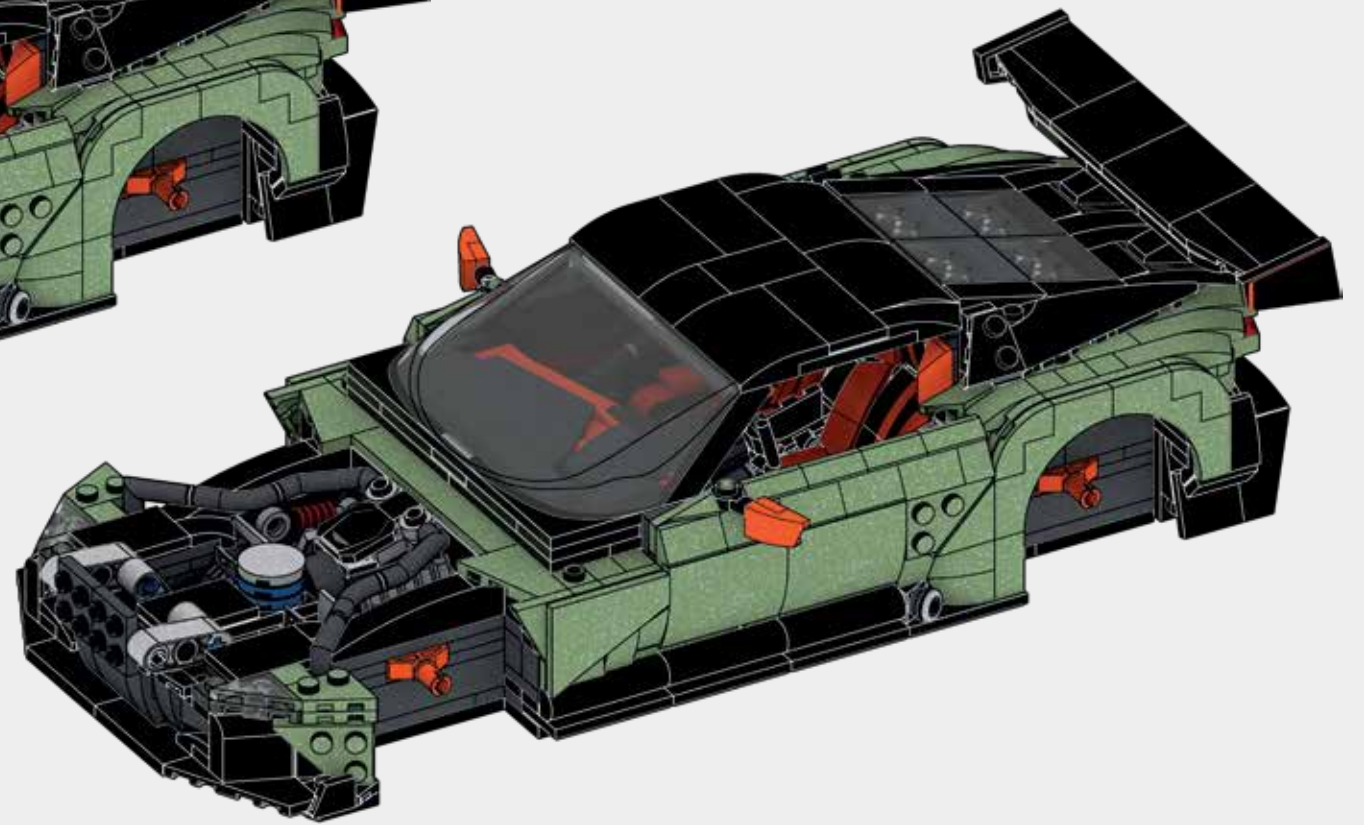


159





2

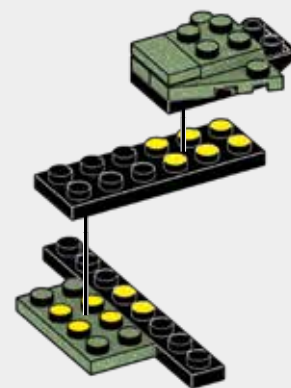
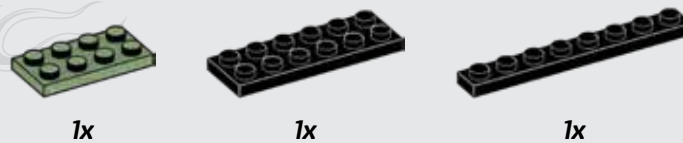


3

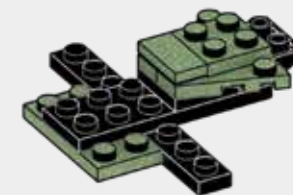
160



161

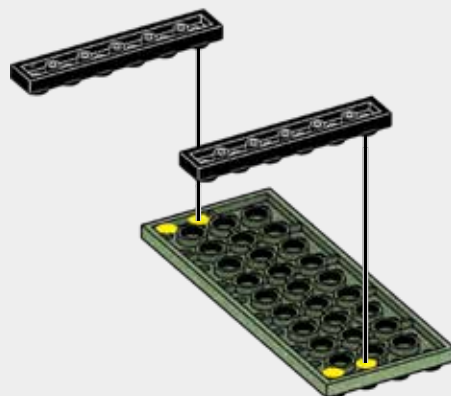
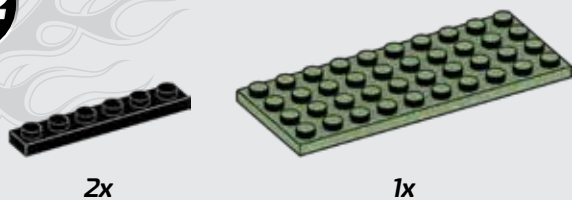


1

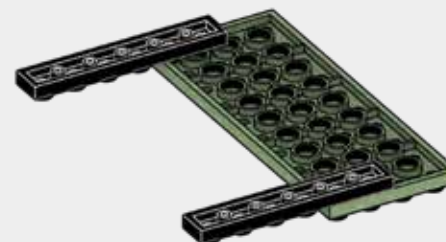


2

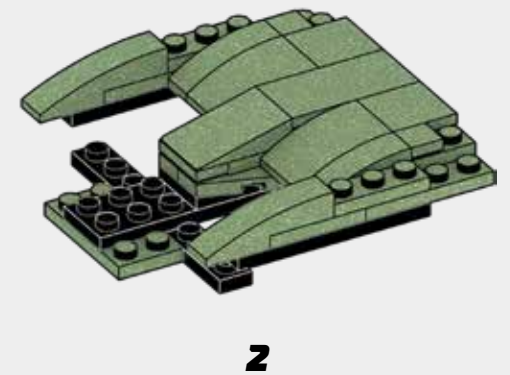
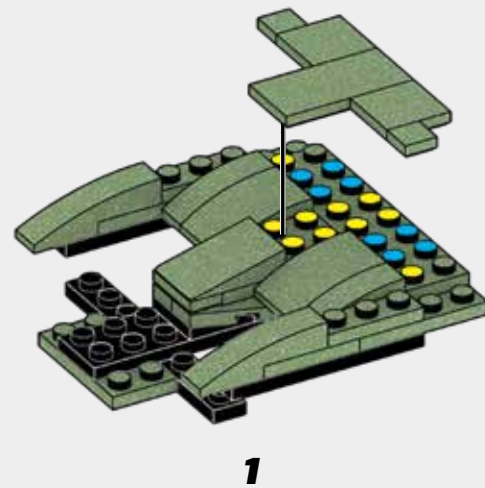
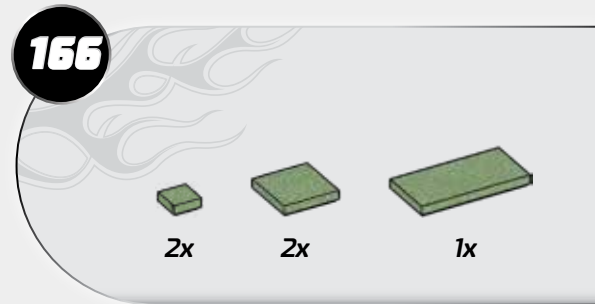
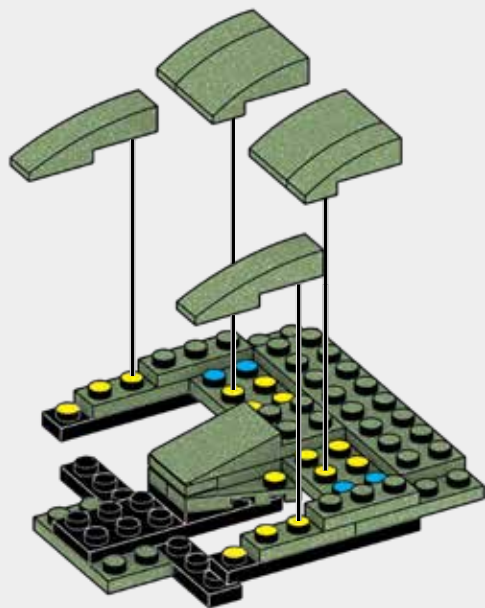
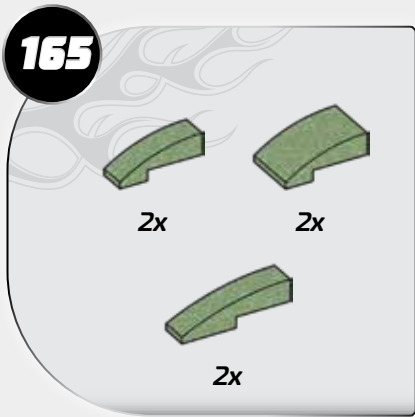
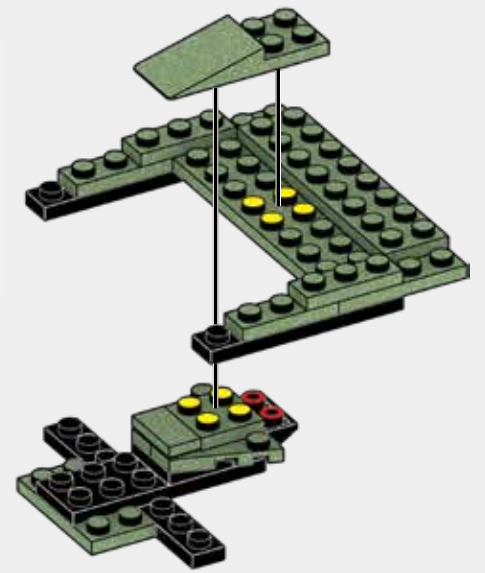
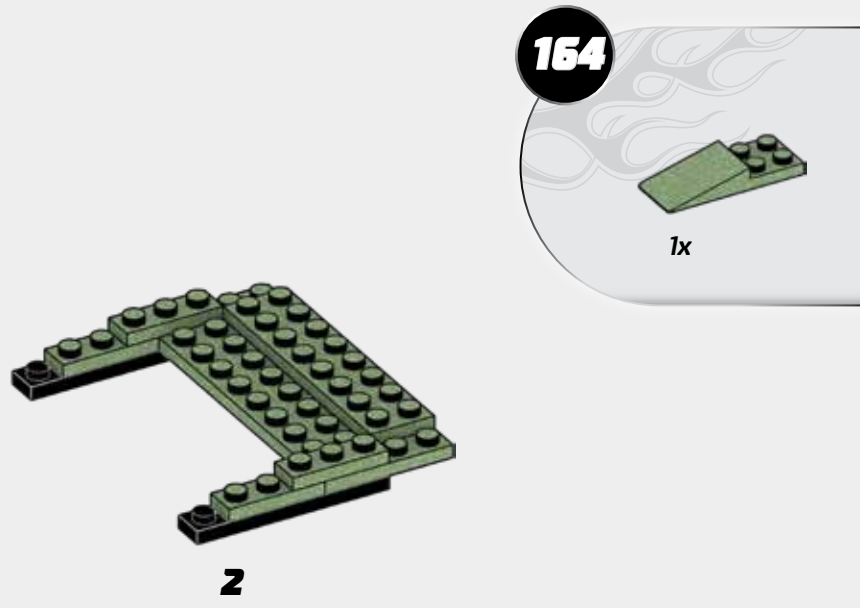
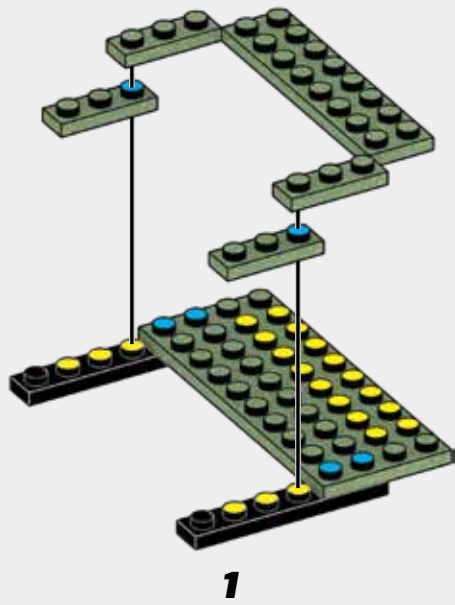
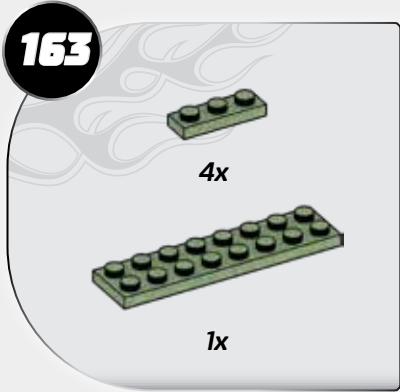
162



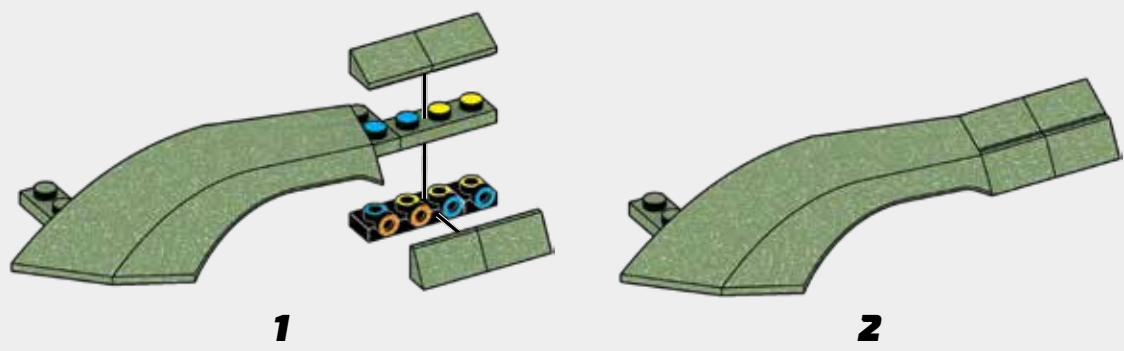
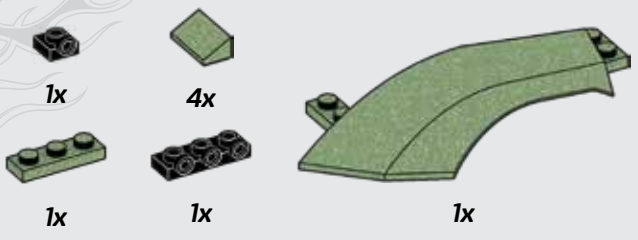
1



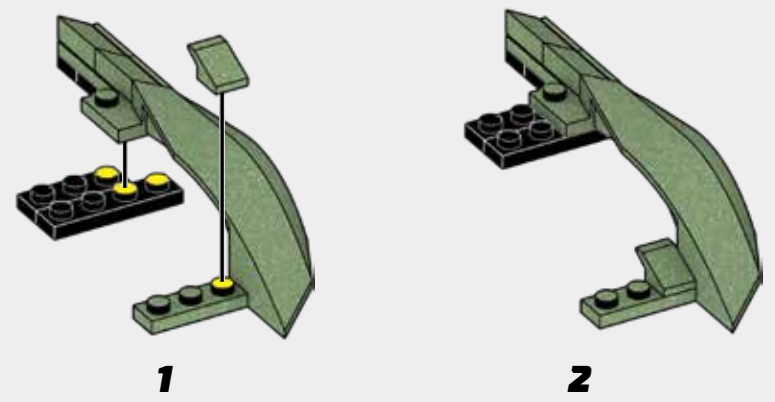
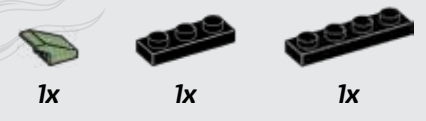
2



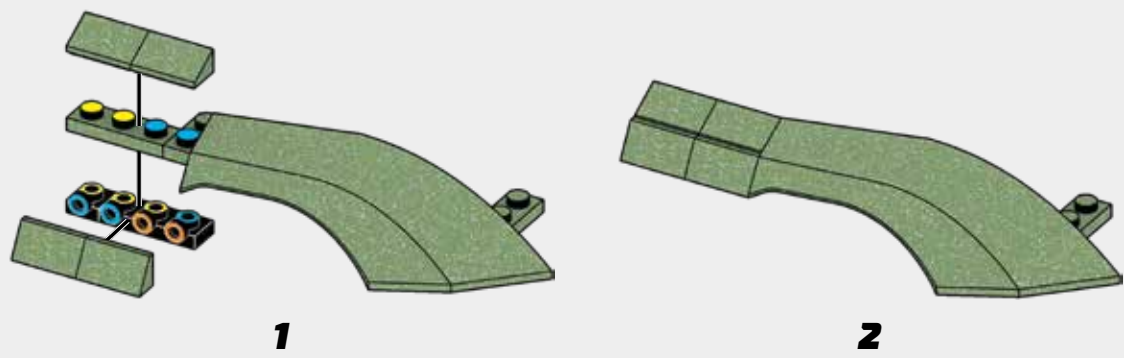
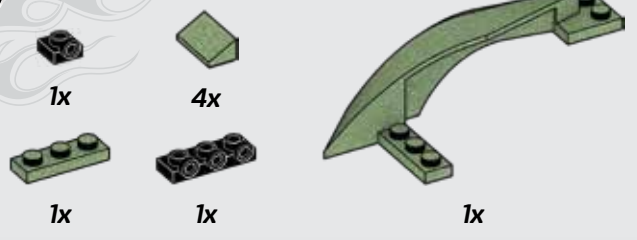
167



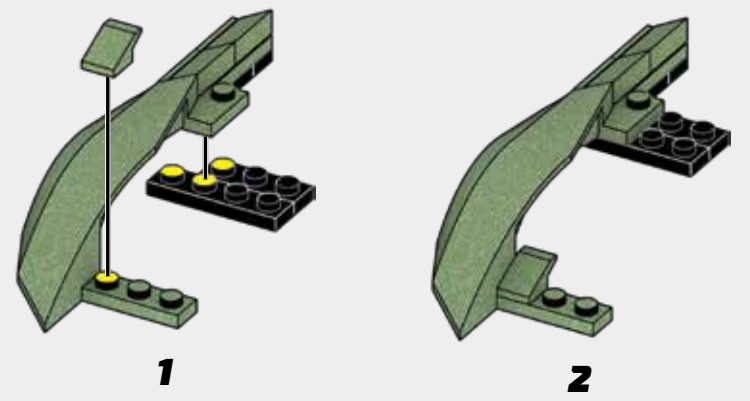
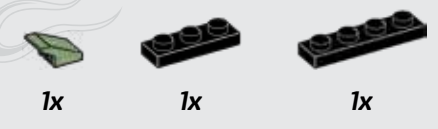
168



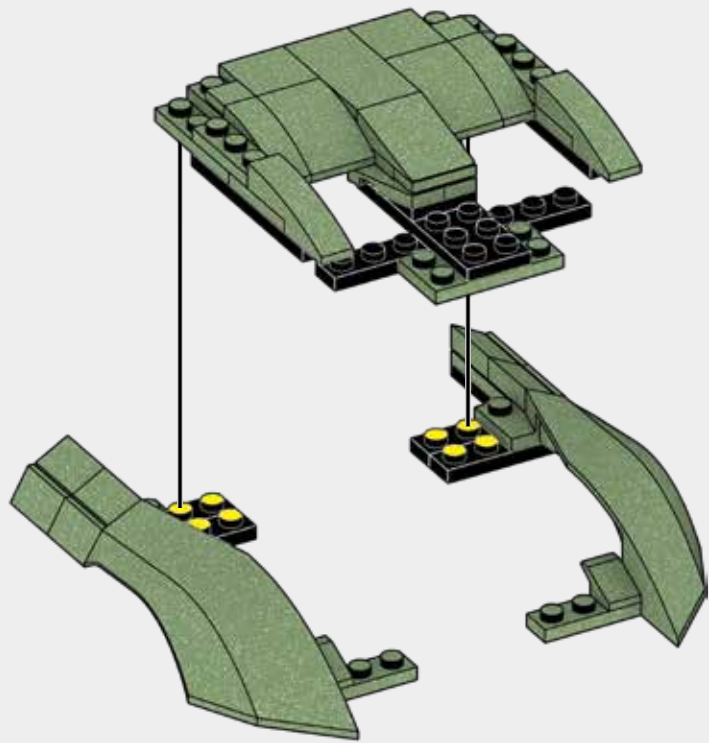
169



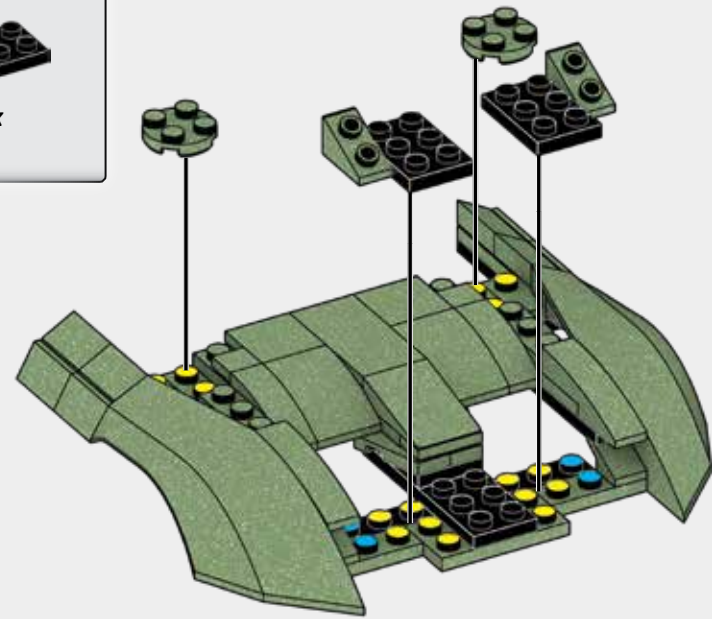
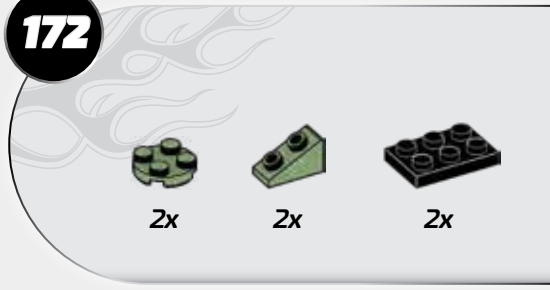
170



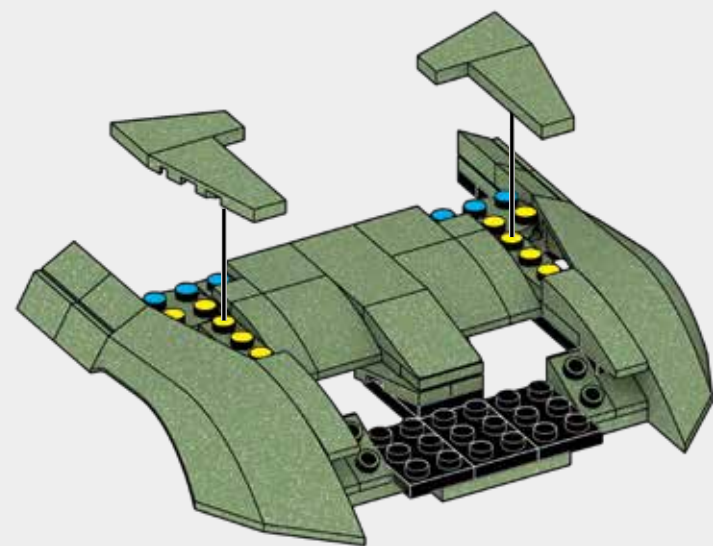
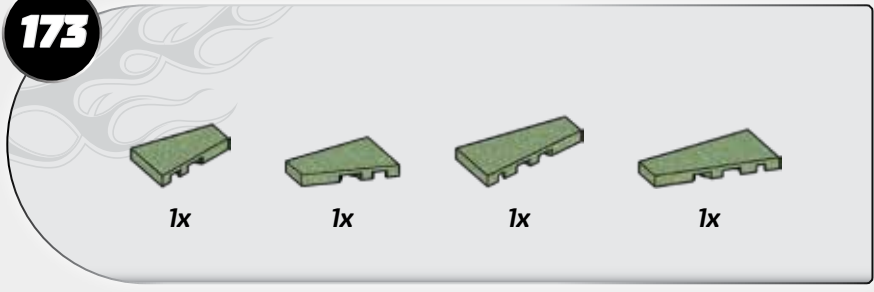
171



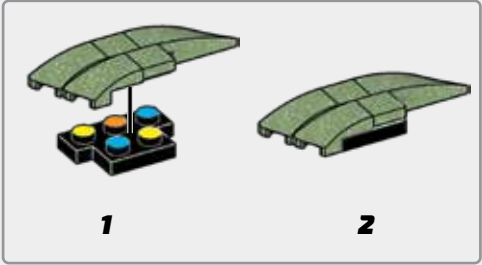
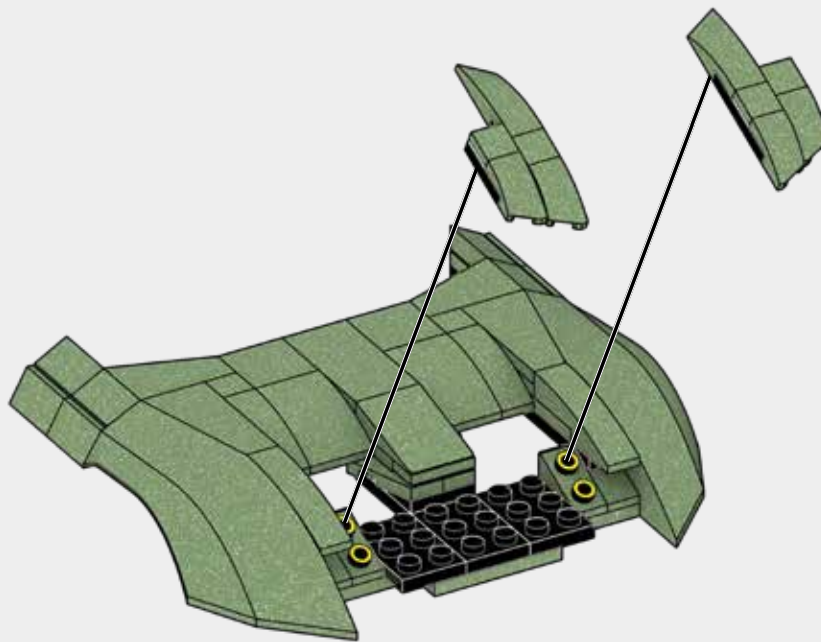
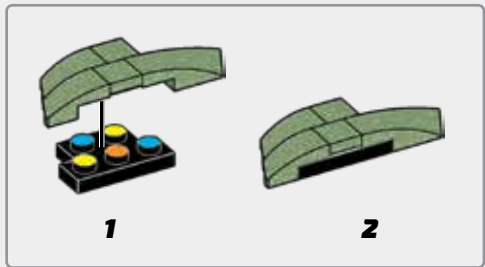
172



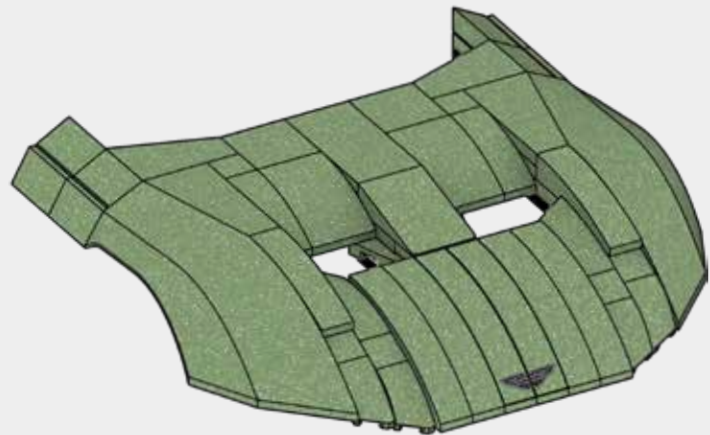
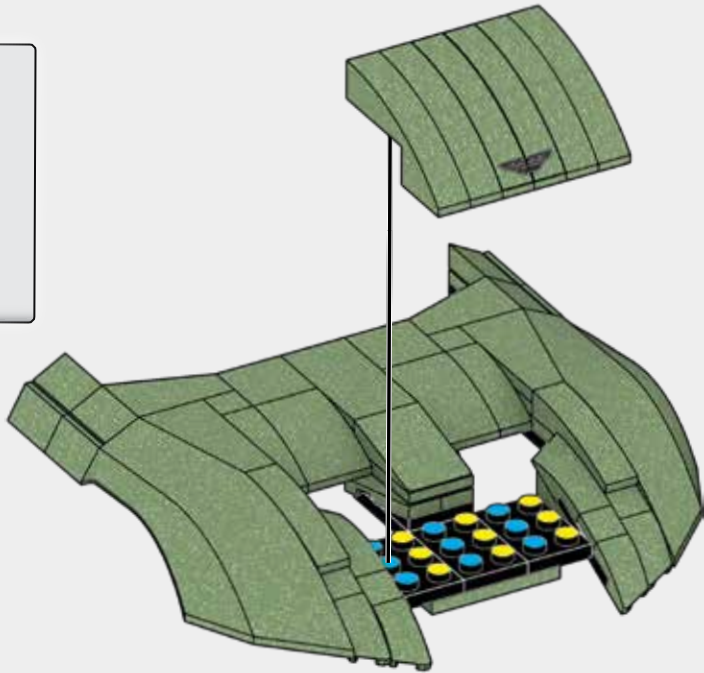
173



174

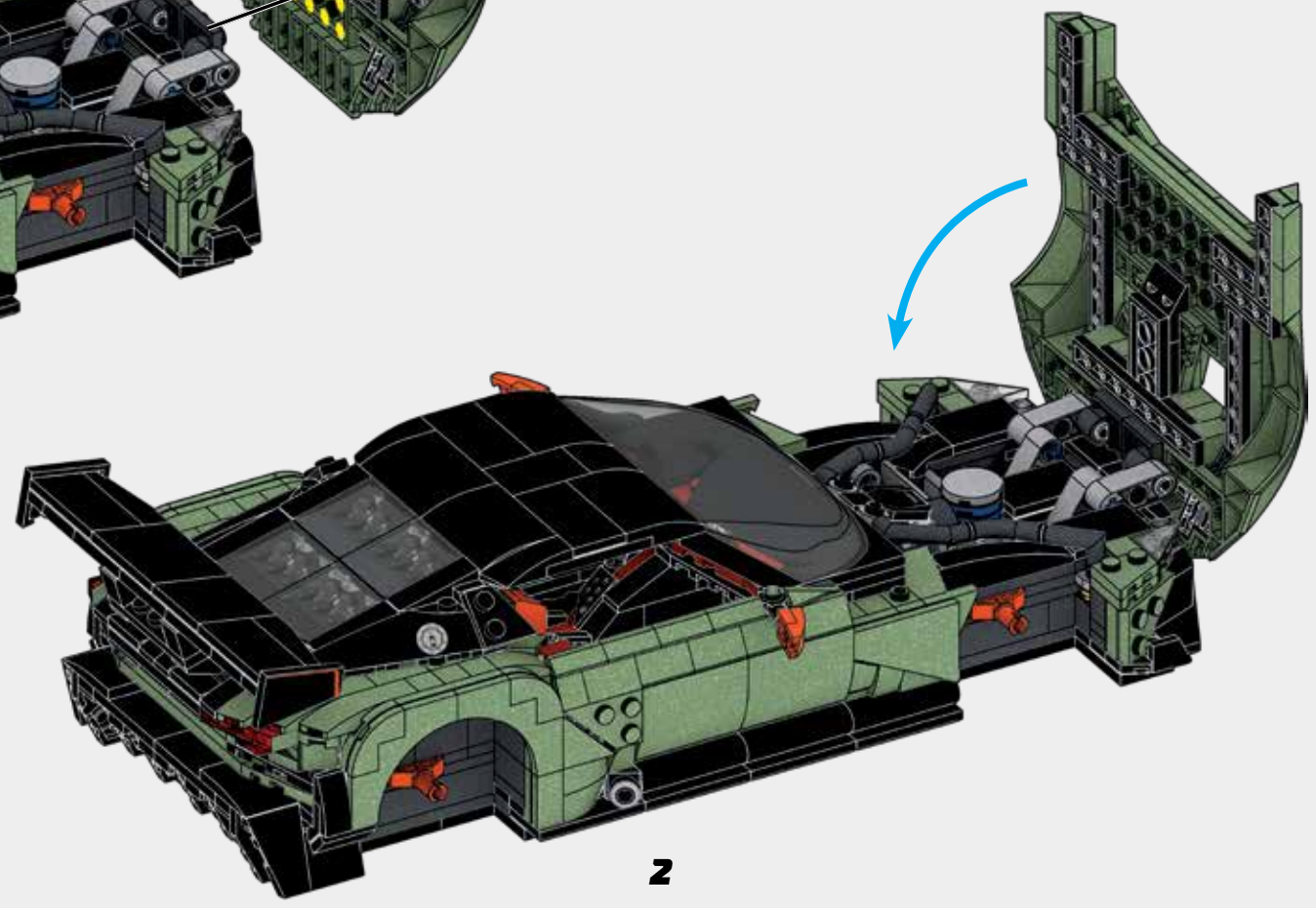


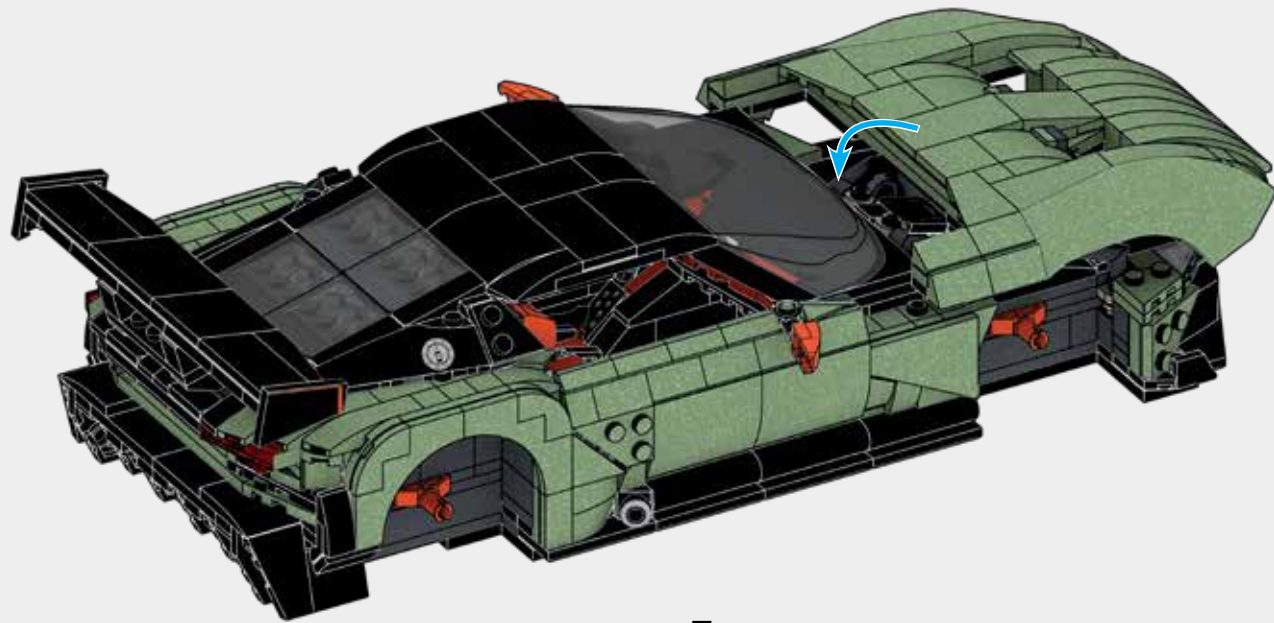
175



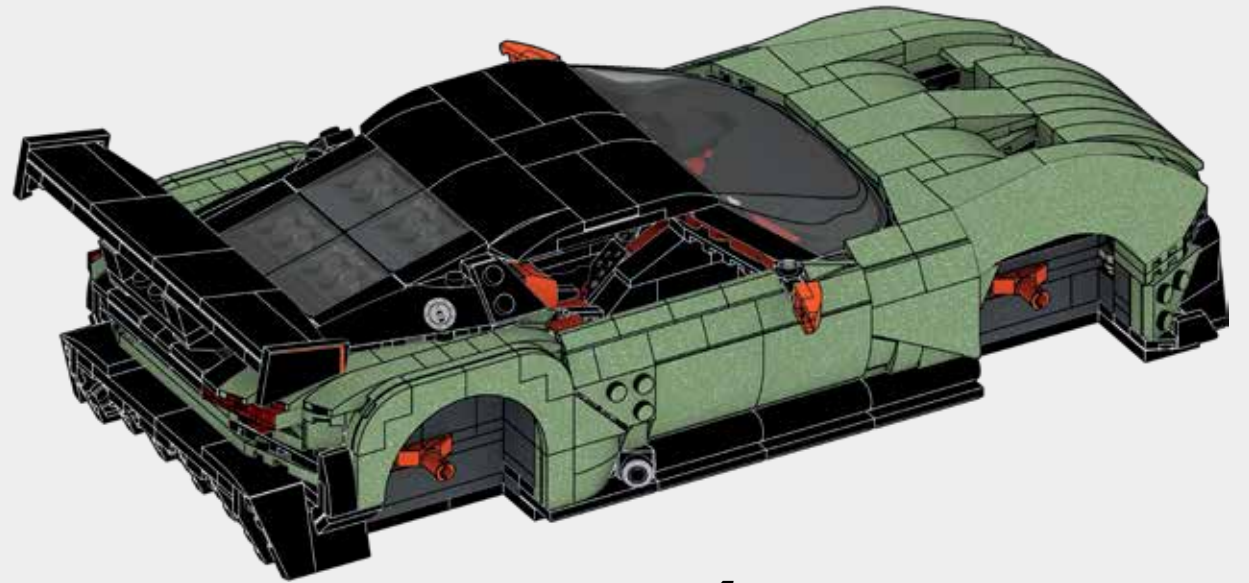
1

2





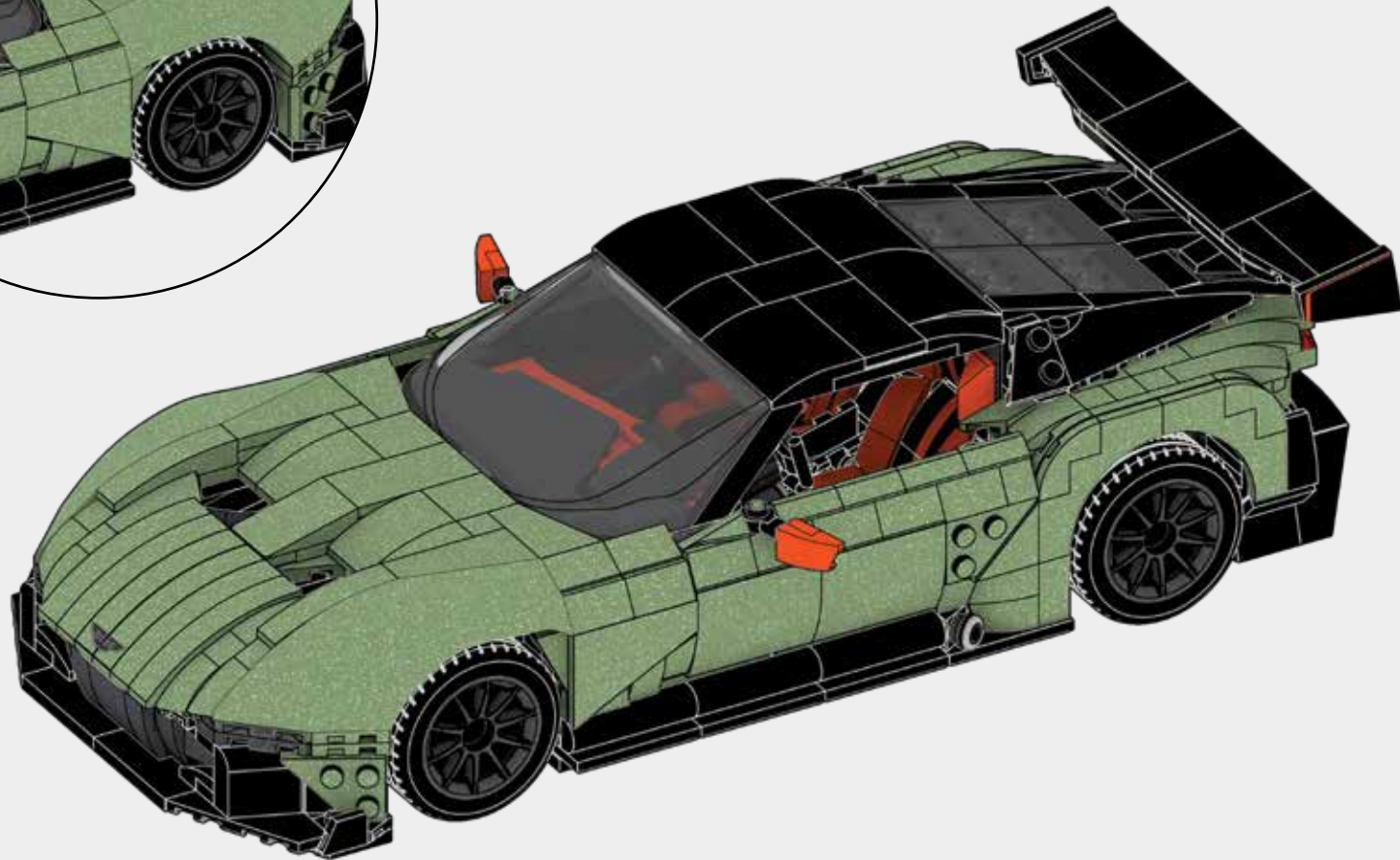
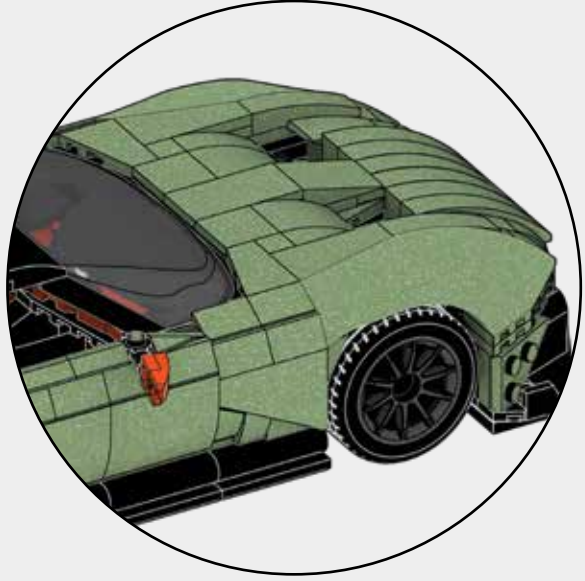
3



4



1



2



4x AM77341APG	2x AM76060F	4x AM17127AYW	2x AM81765AYW	6x AM22501F	1x AM18221MM	1x AM17129MM	8x AM17522F	10x AM18549AYW	1x AM72496AYW	2x AM16972MCX	3x AM00948F	2x AM81254F
1x AS-HMY97-06	2x AM80135F	4x AM72001MM	1x AM81765MM	1x AM22501APG	10x AM79070F	2x AM74427F	2x AM18901MM	2x AM18549F	1x AM72497AYW	2x AM16972MM	2x AM00948AYW	1x AM81766F
2x AM18560AYW	4x AM19617APG	2x AM72001F	2x AM81765W	7x AM22501AYW	6x AM79070MM	3x AM74427MCX	2x AM72534F	4x AM03017MCX	4x AM04322AYW	2x AM74428APG	5x AM0373AYW	2x AM78107AYW
2x AM18560MM	2x AM19617MM	2x AM74299F	2x AM01086F	2x AS-HMY97-16	3x AM76467F	3x AM74427AYW	2x AM73534BDG	2x AS-HMY97-14	2x AM04322F	9x AM15484F	10x AM03773MM	2x AM78107AYW
4x AM18560AWU	7x AM79590MM	2x AM74299MCX	2x AM01086F	2x AM22501MCX	2x AM18272AYW	1x AS-HMY97-05	4x AM18665AYW	4x AM18665AYW	4x AM18667AYW	18x AM15484MM	1x AM03773F	4x AM72233MM
2x AM17062APG	10x AM79590F	3x AM74299MM	10x AM07629MM	1x AM09198F	6x AM18272MM	3x AM74426AYW	3x AM18665F	4x AM19061MCX	1x AM17834MM	6x AM17153MM	2x AM81305MM	6x AM81429APG
8x AM17003APG	4x AM77574F	2x AM74300F	2x AM07629AYW	1x AM09198APG	6x AM18272MCX	3x AM74426AYW	4x AM18666AYW	1x AM04430MCX	8x AM09835AYW	2x AM17153MM	2x AM79952MM	2x AM80967APG
6x AM74397MM	4x AM77574F	1x AM74300APG	2x AM17018AYW	14x AM73758F	1x AM18272MCX	3x AM74426AYW	3x AM18666F	3x AM04429F	3x AM72000MM	2x AM17153F	3x AM18328MM	2x AM80967APG
2x AM19158APG	4x AM77574AYW	2x AM74300MCX	4x AM17018APG	2x AM73758AYW	1x AM73989F	2x AM74426AYW	1x AM02215APG	3x AM04429F	1x AM09013F	1x AS-HMY97-03	5x AM10273F	1x AM81541AYW
3x AM79666APG	10x AM79665AYW	1x AM74300MM	2x AM17018APG	1x AM73758MCX	1x AM15480AYW	1x AM74426F	2x AM04429AYW	2x AM04429AYW	7x AM09013MM	2x AM81559F	2x AM09023MM	1x AM81541F
12x AM07223AYW	4x AM01312APG	2x AM80144MM	2x AM04428F	4x AM07590MM	1x AM15481AYW	1x AS-HMY97-04	1x AM74677B	1x AM04429MCX	1x AM09013F	2x AM81559F	1x AM09023F	1x AM81542AYW
1x AM07223F	2x AM01140MCX	4x AM00910B	6x AM79704B	2x AM07590F	1x AM17130AYW	2x AM17070F	2x AM74677AYW	1x AM04429MCX	7x AM09013MM	1x AM19529MM	1x AM09023F	1x AM81542AYW
2x AM03328MM	2x AM01140AYW	2x AM74214AMC	2x AM74645MM	21x AM09393MM	1x AM17130AYW	13x AM80573F	4x AM78486MM	2x AM18660MM	2x AM18660MM	1x AM19529MM	1x AM18562F	1x AM81542F
8x AM03328F	2x AM74415F	2x AM81545AYW	2x AM79375AYW	2x AM09393AYW	1x AM17130MM	4x AM72002F	4x AM78486AYW	3x AM01322F	6x AM17502MM	5x AM18223F	1x AM18562F	1x AM81542F
2x AM79403MM	4x AM17787MCX	2x AM81546AYW	2x AM80174APG	3x AM09393MCX	1x AM17129AYW	2x AM17522MM	2x AM78486F	2x AM04218F	2x AM17502F	5x AM18223MM	4x AM18562MM	2x AM74657MM

- 1x AM74106MM
- 1x AM74106F
- 4x AS-HMY97-18
- 1x AM77586F
- 1x AM77587F
- 8x AM78189AYW
- 4x AM78602MCX
- 1x AS-HMY97-13
- 1x AS-HMY97-12
- 2x AM77465F
- 1x AM77465APG

- 2x AM19898AYW
- 1x AM19898F
- 2x AM19899AYW
- 1x AM19899F
- 3x AM17073AYW
- 3x AM17074AYW
- 1x AS-HMY97-10
- 1x AS-HMY97-11
- 1x AS-HMY97-08
- 1x AS-HMY97-09
- 2x AM17021AYW

- 4x AM74103APG
- 10x AM19326F
- 6x AM01314MM
- 12x AM01314F
- 6x AM01314AYW
- 18x AM81259F
- 6x AM81260F
- 1x AM16384F
- 7x AM03772MM
- 9x AM03772F
- 4x AM81639F
- 2x AS-HMY97-15
- 1x AM81639MM
- 1x AM18615F

- 1x AM01323F
- 2x AM07230AYW
- 2x AM03873MM
- 1x AM03873F
- 1x AM76206W
- 3x AM76206AYW
- 3x AM76205AYW
- 1x AM76205W
- 2x AM80980F
- 1x AM18282F
- 1x AM18283F
- 9x AM81163F

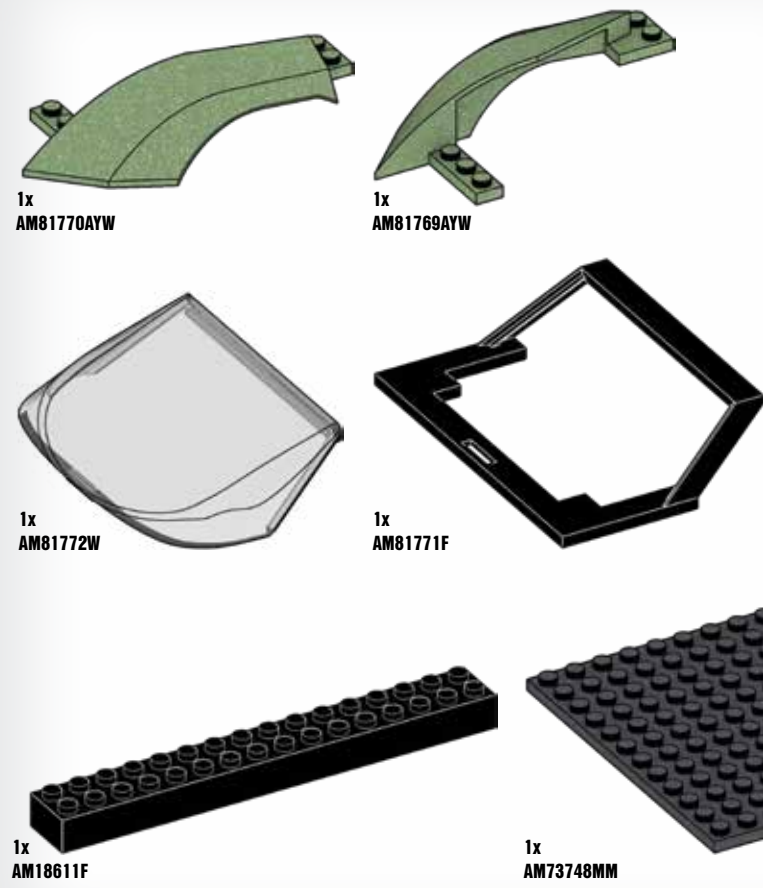
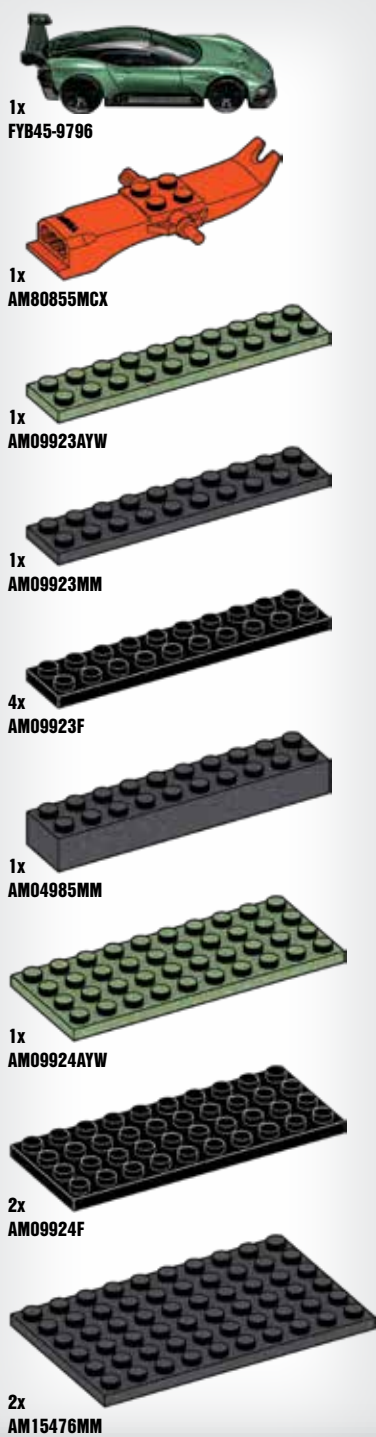
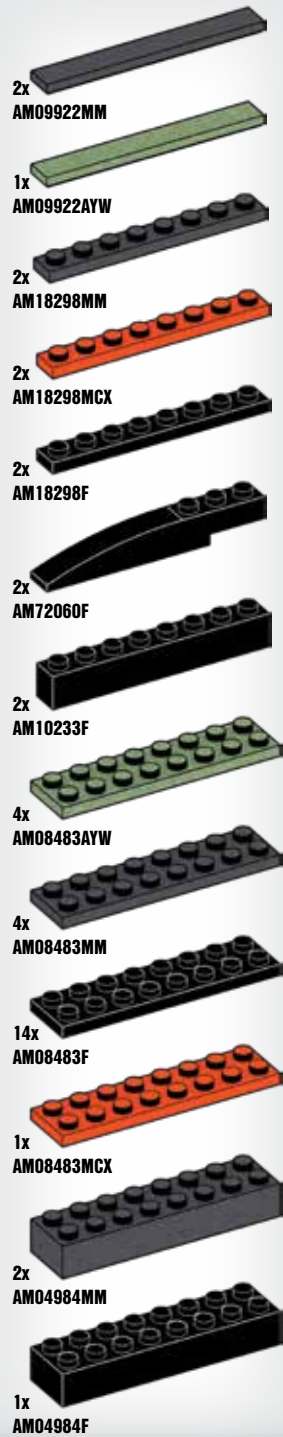
- 1x AM74065F
- 1x AM77321MCX
- 1x AM77321MM
- 1x AM77321AYW
- 2x AM77321F
- 1x AM74064F
- 1x AM77320AYW
- 2x AM77320F
- 1x AM04434F
- 1x AM04434AYW
- 1x AM04433F
- 1x AM04433AYW
- 4x AM19323F
- 2x AM19323AYW

- 2x AM76451F
- 2x AM76452F
- 3x AM09593MM
- 7x AM09593F
- 2x AM09593AYW
- 1x AM09838MCX
- 6x AM79678F
- 1x AM17503MM
- 1x AM01531F
- 4x AM09493F
- 8x AM09493MM
- 1x AM09493X
- 1x AM09493AYW
- 12x AM77463F
- 1x AM77463AYW

- 2x AM09033F
- 6x AM07475MM
- 4x AM15492F
- 2x AM17793AYW
- 1x AM17793MM
- 4x AM81711AYW
- 1x AM72025F
- 4x AM72412AYW
- 4x AM72412F
- 4x AM18617F
- 2x AM17054F
- 4x AS-HMY97-21

- 3x AM19014AYW
- 3x AM19013AYW
- 1x AM80965F
- 1x AM18275AYW
- 4x AM18610W
- 1x AS-HMY97-01
- 1x AS-HMY97-02
- 4x AM19325AYW
- 3x AM09292MM
- 10x AM09292F
- 1x AM09292AYW
- 6x AM01313MM
- 2x AM01313F

- 10x AM01480F
- 3x AM01480AYW
- 2x AM01480MM
- 3x AM01480MCX
- 2x AM04983MM
- 1x AM74771F
- 1x AS-HMY97-20
- 1x AM18280F
- 1x AM18281F
- 1x AM03771F
- 1x AM17055F



Missing pieces? • Pièces manquantes?
 ¿Partes faltantes? • Perdeu peças?
 Fehlen Teile? • Не хватает деталей?

support.megabrands.com

Mattel Europa B.V., Gondel 1, 1186 MJ Amstelveen, Nederland. Mattel U.K. Limited, The Porter Building, 1 Brunel Way, Slough SL1 1FQ, UK. Mattel France, Parc de la Cerisaie, 1/3/5 allée des Fleurs, 94260 Fresnes Cedex. N° Cristal 0969 36 99 99 (Numéro non surtaxé) ou www.lesjouetsmattel.fr Mattel Belgium, Trade Mart, Atomiumsquare, Bogota 202 - B 275, 1020 Brussels. Gratis nummer België: 0800 - 16 936 - Gratis nummer Luxemburg: 800 - 22 784 - Gratis nummer Nederland: 0800 - 262 88 35. Deutschland: Mattel GmbH, Solmsstraße 83, D-60486 Frankfurt am Main. Schweiz: Mattel AG, Kirchstrasse 24, CH-3097 Liebefeld. Österreich: Mattel Ges.m.b.H., Campus 21, Liebermannstraße A01 404, A-2345 Brunn/Gebrige. Mattel Italy Srl, Via Turati 4, 20121 Milano, Italy. Servizio assistenza clienti: Customersrv.italia@mattel.com - Numero verde 800 11 37 11. Mattel España, S.A. Aribau 200 pl. 9, 08036 Barcelona. c.service.spain@mattel.com Tel.: +34 933 06 79 00 http://www.service.mattel.com/es. Hong Kong: Kids Kingdom Limited, Room 1908-9, Gala Place, 56 Dundas Street, Mongkok, Kowloon, Hong Kong. Customer Care line: (852)2782-0766. Taiwan: Chickabiddy Company Limited, 5/F, No. 186, Section 4, Nanjing East Road, Taipei 10595, Taiwan. Customer Care line: (02)2578-1188. Mainland China: Mattel Barbie (Shanghai) Trading Co., Ltd. Units 4701-4711, 47F, 2 Grand Gateway, 3 Hong Qiao Road, Shanghai, 200030, P.R.C. Customer Care line: 400-819-8658. Diimport & Diedarkan Oleh: Mattel Continental Asia Sdn Bhd. Level 19, Tower 3, Avenue 7, No. 8 Jalan Kerinchi, Bangsar South, 59200 Kuala Lumpur, Malaysia. Mattel South Africa (PTY) LTD, Office 102 13, 30 Melrose Boulevard, Johannesburg 2196. Distributor: Mattel Poland Sp. z o.o., Warsaw Trade Tower 34 p., ul. Chłodna 51, 00-867 Warszawa. Mattel Australia Pty. Ltd., 658 Church St., Richmond, Victoria, 3121. Consumer Advisory Service - 1300 135 312. Mattel AEBE, ΕΒνάρχου Μακρικού 1, Κτήριο Κ-2, ΤΚ 17561, Πλατεία Ομόλογο, Mattel Ουνιτσκάκιλίκ Τις. Λτδ. ΣΤΙ. Çiçerenköy Mah., Umut Sokak No: 10 - 12, Quick Tower kat:2 Çiçkapı no:15 Ataşehir 34752, İstanbul, Türkiye. Tel: 0216 570 75 00. Импортёр/Уполномоченная организация: ООО "МАТТЕЛ" Российская Федерация, 105120 Москва, 2-й Сыромятинский переулок, 1; +7 495 287 79 39. Mattel Czech Republic s.r.o., The Forum, Václavské nám. 19, 11000 Praha 1. Mattel, 333 Continental Boulevard, El Segundo, CA 90245, USA. Consumer Services: 1-800-465-MEGA (6342). Mattel Canada Inc., Mississauga, Ontario L5R 3W2. Consumer Services: You may call us free at/ Composez sans frais le 1-800-524-8697. Importado y distribuido por Mattel de México, S.A. de C.V., Miguel de Cervantes Saavedra No. 193, Pisos 10 y 11, Col. Granada, Alcaldía Miguel Hidalgo, C.P. 11520, México, Ciudad de México. R.F.C. MME-920701-NB3. Tels: 59-05-51-00 Ext. 5206 o 01-800-463-59-89. Mattel Chile, S.A., Avenida Américo Vespucio 501-B, Quilicura, Santiago. Tel: 1230-020-6213. Servicio al consumidor Venezuela: Tel: 0-800-100-9123. Mattel Argentina, S.A., Av. Libertador 1000, Piso 11 - Oficinas 109 y 111, Vicente López - Prov. Buenos Aires. Tel: 0800-666-3373. Mattel Colombia, S.A., Calle 123#7-07 P5, Bogotá. Tel: 01800-710-2069. Mattel Perú, S.A., Av. Juan de Arona # 151, Centro Empresarial Juan de Arona, Torre C, Piso 7, Oficina 704, San Isidro, Lima 27, Perú. RUC: 20425853865. Reg. Importador: 02350-12-JUE-DIGESA. Tel.: 0800-54744. E-mail Latinoamérica: servicio.clientes@mattel.com. Mattel do Brasil Ltda. - CNPJ: 54.558.002/0001-20 - Rua Verbo Divino, 1488 - 2º. Andar - 04719-904 - Chácara Santo Antônio - São Paulo - SP - Brasil. Serviço de Atendimento ao Consumidor: fone 0800 575 0780. E-mail: sac.matteldobrazil@mattel.com

BUILD YOUR COLLECTION CONSTRUISEZ VOTRE COLLECTION



CONSTRUYE TU COLECCIÓN. / CONSTRUA A SUA COLEÇÃO.
ERWEITERE DEINE SAMMLUNG. / ПОСТРОЙТЕ СВОЮ КОЛЛЕКЦИЮ.

Mattel Canada Inc. Mississauga, Ontario L5R 3W2

MEGA CONSTRUCTION TOY MADE IN CHINA - HOT WHEELS DIE-CAST CAR MADE IN MALAYSIA. JOUET DE CONSTRUCTION MEGA FABRIQUÉ EN CHINE - VOITURE HOT WHEELS EN MÉTAL FABRIQUÉE EN MALAISIE. MEGA BRINQUEDO DE CONSTRUÇÃO FABRICADO NA CHINA - CARRO METALIZADO HOT WHEELS FABRICADO NA MALÁSIA. JUGUETE DE CONSTRUCCIÓN DE MEGA FABRICADO EN CHINA - VEHÍCULO METÁLICO DE HOT WHEELS FABRICADO EN MALASIA. ИГРУШКА-КОНСТРУКТОР MEGA ИЗГОТОВЛЕНА В КИТАЕ - ЛИТАЯ МАШИНКА HOT WHEELS ИЗГОТОВЛЕНА В МАЛАЙЗИИ. MEGA YAPTI BLOKLARI, ÇIN'DE ÜRETİLMİŞTİR - METAL HOT WHEELS ARAÇ, MALEZYA'DA ÜRETİLMİŞTİR. - صنعت سيارة HOT WHEELS المصنوعة من المعدن في ماليزيا. صنعت لعبة البناء MEGA في الصين.

1186 MJ, 1, NL

©D781,964, D797,203, D841,101

©2022 MEGA Brands &™ MEGA Brands.
Printed in China / Imprimé en Chine

AD-HMY97-01B



OFFICIAL LICENSED
PRODUCT

Aston Martin, the Aston Martin Wings logo are
trademarks owned, licensed or used by Aston
Martin Lagonda Limited. All rights reserved.

HOT WHEELS™ and associated trademarks
and trade dress are owned by, and used under
license from, Mattel. ©2022 Mattel.



BUILD & SHARE!
CONSTRUIRE ET PARTAGER
CONSTRUYE Y COMPARTE
MONTAR E COMPARTILHAR / BAUEN UND
MIT ANDEREN TEILEN / СОЗДАВАЙ И ДЕЛИСЬ
megaunboxed.com



JOIN THE COMMUNITY
REJOIGNEZ LA COMMUNAUTÉ
ÚNETE A LA COMUNIDAD

ENTRE NA COMUNIDADE
DER COMMUNITY BEITRETEN
ПРИСОЕДИНИТЕСЬ К СОБЩЕСТВУ