

# Jeep

## HURRICANE



- Please read this manual and save it with your original sales receipt.
- Tools needed for assembly: Phillips Screwdriver and Safety Scissors (both not included).
- Use only with the included Power Wheels® 12 Volt Lead-Acid, Rechargeable, orange Battery and a Power Wheels® 12 Volt Charger with type 12V connector (both included).
- Requires four "C" (LR14) alkaline batteries for FM Radio/Digital Clock operation (not included).



# Ultimate Terrain Traction

Owner's Manual  
with Assembly Instructions  
For Models J4394 and K7112

# TABLE OF CONTENTS

Important Information .....	2
Warnings and Cautions .....	3
Parts .....	4
Parts Picture .....	6
Battery Charging .....	7
Assembly .....	8
Decoration .....	19
Battery Installation .....	21
Battery Care and Disposal .....	22
Safe Driving Rules .....	23
Vehicle Operation .....	24
Vehicle Care .....	25
Problems and Solutions Guide .....	27
FCC Statement .....	31
Limited Warranty .....	31

## IMPORTANT INFORMATION

- Your new vehicle requires adult assembly. Please set aside at least 60 minutes for assembly.
- You must charge your battery for 18 - 30 hours **before you use your vehicle for the first time**. We recommend that you start charging your battery before beginning assembly. Please see Battery Charging beginning on page 7 for detailed instructions.
- Read this manual carefully for important safety information and operating instructions before using your vehicle. Keep this manual for future reference as it contains important information.
- This vehicle is appropriate for use on generally level, rough terrain (including hard surfaces, wet and dry grass, ruts, gravel, mulch and mud) and by children 3 years of age and older.
- This vehicle has been pre-set so it will only operate in low speed. **See the instructions on page 24 to remove the high speed lock-out screw.**
- Use this vehicle **ONLY** outdoors. Most interior flooring can be damaged by riding this vehicle indoors. Fisher-Price® will not be responsible for damage to the floor if the vehicle is used indoors.
- To prevent damaging the motors and gears, teach your child to stop the vehicle before switching direction. Do not exceed the maximum weight capacity of 130 lbs (59 kg).
- If you have any questions about your Power Wheels® vehicle, please call our toll-free service lines at **1-800-348-0751** from 9 AM to 7 PM (EST) Monday through Friday and 11 AM to 5 PM (EST) Saturday. Trained customer service representatives are available to take your call in English or French. Habla Español? Si usted tiene alguna pregunta ó necesita asistencia llame gratis **1-800-348-0755** para los Estados Unidos. Tenemos representantes que hablan español para atender su llamada.
- For your convenience, Power Wheels® maintains an **independently owned and operated** Authorized Service Center Network with more than 400 authorized service centers nationwide. Our authorized service centers will repair or replace parts under warranty at no extra charge, and can perform non-warranty repairs for a minimal charge. To find the authorized service center nearest you, please visit us on-line at [www.powerwheels.com](http://www.powerwheels.com) or call **1-800-348-0751**.
- Your vehicle includes a 12 volt orange battery that is specially designed for use with this vehicle. If you need to replace this battery, please visit us on-line at [www.powerwheels.com](http://www.powerwheels.com) or call **1-800-348-0751**. We do not recommend the use of any other Power Wheels® 12 volt battery with this vehicle.
- To register your vehicle, please visit us on-line at [www.powerwheels.com](http://www.powerwheels.com).

## ELECTRICAL HAZARD

### WARNING

- Battery can fall out and injure a child if vehicle tips over. Always use battery retainer.
- **PREVENT FIRE**
  - Never modify the electrical system. Alterations could cause a fire resulting in serious injury and could also ruin the electrical system.
  - Use of the wrong type battery or charger could cause a fire or explosion resulting in serious injury.
  - Use of Power Wheels® components in products other than Power Wheels® vehicles could cause overheating, fire or explosion.
- The battery must be handled by adults only. The battery is heavy and contains sulfuric acid (electrolyte). Dropping the battery could result in serious injury.
- Never allow children to charge the battery. Battery charging must be done by adults only. A child could be injured by the electricity involved in charging the battery.
- Read the safety instructions on the battery.
- Examine the battery, charger and their connectors for excessive wear or damage each time you charge the battery. If damage or excessive wear is detected, do not use the charger or the battery until you have replaced the worn or damaged part.
- **HOT** motors. Handle carefully.

## RIDING HAZARD

### WARNING

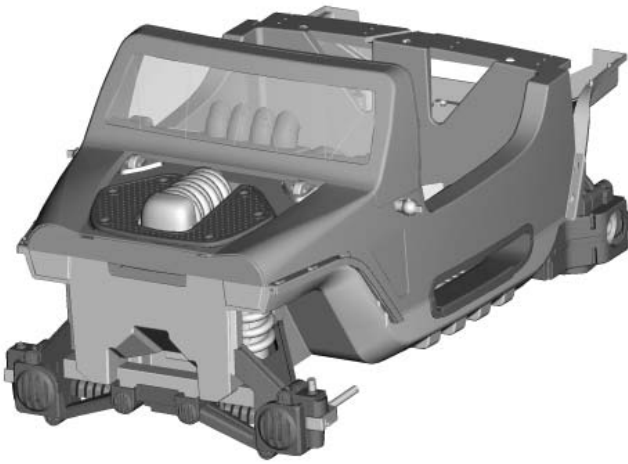
- **Prevent Injuries and Deaths**
  - Direct Adult Supervision Required.
  - Never Ride at Night.
  - Keep Children Within Safe Riding Areas.  
These areas must be:
    - away from swimming pools and other bodies of water to prevent drownings
    - generally level to prevent tipovers
    - away from steps, steep inclines, cars, roads and alleys.
  - Riding Rules  
Make sure children know and follow these rules for safe driving and riding.
    - Always sit on the seat.
    - Always wear shoes.
    - Only 2 (two) riders at a time.

### CAUTION

- In the unassembled state, this package contains small parts. Adult assembly is required.
- Use the charger in dry locations only.

# PARTS

- If you experience a problem with this product, or are missing a part, please call us at **1-800-348-0751**, rather than return this product to the store.
- Please identify all parts before assembly and save all packaging material until assembly is complete to ensure that no parts are discarded.
- Metal parts have been coated with a lubricant to protect them during shipment. Wipe all metal parts with a paper towel to remove any excess lubricant.



**Vehicle**



**Brush Guard**



**Rear Clip**



**2 Rear Wheels  
(with grooved hub)**



**2 Front Wheels**



**Front Grille**



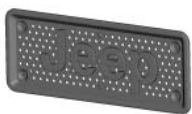
**Seat Bar**



**Seat**



**Rear Bumper**



**Rear Grille**



**Key**



**4 Hubcaps**



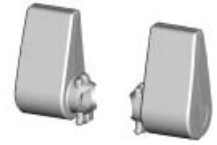
**4 Fenders**



Steering Wheel



Steering Wheel Cap



2 Side Mirrors



Rear Axle



Steering Column



2 Taillights



2 Wheel Retainers



4 Front Axle Caps



1 Steering Column Cap

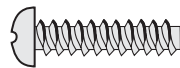


12 Volt Charger



12 Volt Orange Battery

Part Not Shown: Label Sheet



#8 x 3/4" Screw - 53



5/32" x 1 1/2" Pin - 1

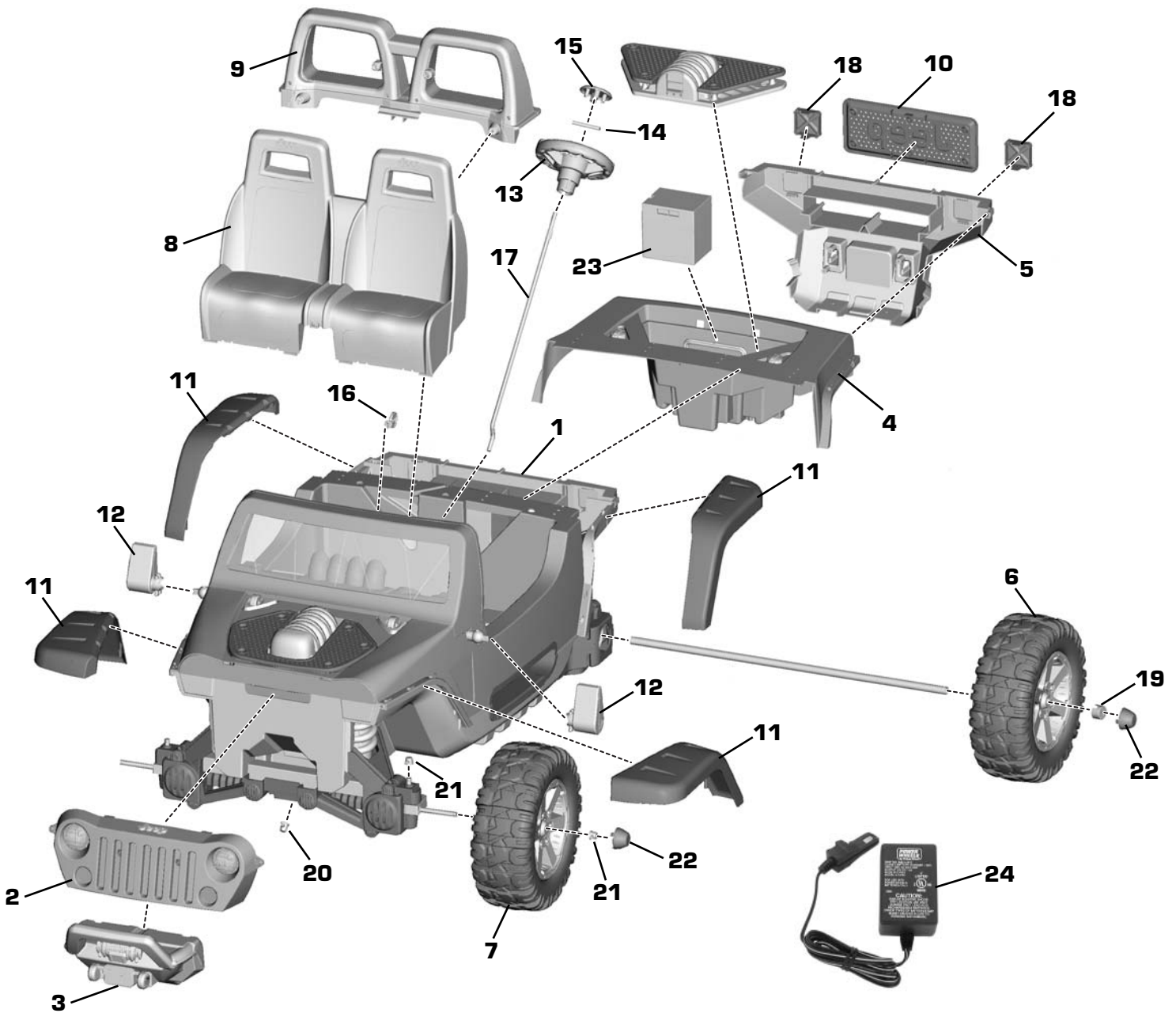
**Fasteners Shown Actual Size**

**For your convenience, we included extra fasteners!**

**Note:** Tighten and loosen all screws with a Phillips screwdriver. Do not over-tighten the screws.



# PARTS PICTURE



<b>1</b> Vehicle	<b>9</b> Seat Bar	<b>17</b> Steering Column	<b>Parts Not Shown</b> 2 Label Sheets #8 x 3/4" Screw - 53
<b>2</b> Front Grille	<b>10</b> Rear Grille	<b>18</b> Taillights - 2	
<b>3</b> Brush Guard	<b>11</b> Fender - 4	<b>19</b> Wheel Retainer - 2	
<b>4</b> Rear Clip	<b>12</b> Side Mirror - 2	<b>20</b> Steering Column Cap	
<b>5</b> Rear Bumper	<b>13</b> Steering Wheel	<b>21</b> Front Axle Cap - 4	
<b>6</b> Rear Wheel - 2	<b>14</b> Steering Pin	<b>22</b> Hubcap - 4	
<b>7</b> Front Wheel - 2	<b>15</b> Steering Wheel Cap	<b>23</b> 12 Volt Orange Battery	
<b>8</b> Seats	<b>16</b> Key	<b>24</b> 12 Volt Charger	

# BATTERY CHARGING

## ELECTRICAL HAZARD

### WARNING

- Battery can fall out and injure a child if vehicle tips over. Always use battery retainer.
- **PREVENT FIRE**
  - Never modify the electrical system. Alterations could cause a fire resulting in serious injury and could also ruin the electrical system.
  - Use of the wrong type battery or charger could cause a fire or explosion resulting in serious injury.
  - Use of Power Wheels® components in products other than Power Wheels® vehicles could cause overheating, fire or explosion.
- The battery must be handled by adults only. The battery is heavy and contains sulfuric acid (electrolyte). Dropping the battery could result in serious injury.
- Never allow children to charge the battery. Battery charging must be done by adults only. A child could be injured by the electricity involved in charging the battery.
- Read the safety instructions on the battery.
- Examine the battery, charger and their connectors for excessive wear or damage each time you charge the battery. If damage or excessive wear is detected, do not use the charger or the battery until you have replaced the worn or damaged part.

### CAUTION

Use the charger in dry locations only.

### About Thermal Fuses

Your Power Wheels® 12 volt orange battery is equipped with a built-in thermal fuse. The thermal fuse is a self-resetting safety device which automatically “trips” and shuts down operation of the vehicle if the vehicle is overloaded or the driving conditions too severe. Once a fuse has “tripped”, remove your foot from the pedal and wait approximately 25 seconds before operating the vehicle again. To avoid repeated automatic shut-downs, do not overload the vehicle by exceeding the 130 lb. (59 kg) maximum weight capacity or by towing anything behind the vehicle. Avoid severe driving conditions, such as driving up slopes or running into fixed objects, which can cause the wheels to stop spinning while power is still being supplied to the motors and make sure your child stops the vehicle before switching direction.

If a thermal fuse in a battery continually trips under normal driving conditions, please contact your local Power Wheels® Authorized Service Center. For the location of the Authorized Service Center nearest to you, visit us on-line at [www.powerwheels.com](http://www.powerwheels.com), or call 1-800-348-0751.

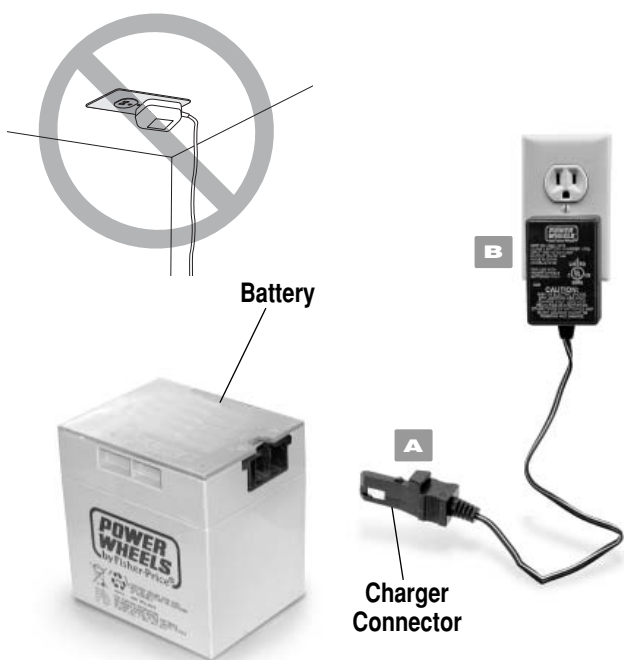
### Important Notes

- **Your new battery must be charged for at least 18 hours before you use it in your vehicle for the first time.**
  - We recommend that you start charging your battery before beginning assembly of your new vehicle.
  - The battery must be upright while charging.
  - The charger is not a toy.
  - Do not short circuit the battery.
  - You do not need to remove the battery from your vehicle to recharge it.
  - Before charging the battery, examine the battery case for cracks and other damage which may cause sulfuric acid (electrolyte) to leak during the charging process. If damage is detected, do not charge the battery or use it in your vehicle. Battery acid is very corrosive and can cause severe damage to surfaces it contacts.
  - Do not charge the battery on a surface (such as a kitchen counter top) which could be damaged by the acid contained inside the battery. Take precautions to protect the surface on which you charge your battery.
  - Use only a Power Wheels® 12 volt charger with “12 V” connector (120 VAC, 60 Hz, 28W with an output of 12 VDC, 1200 mA) to charge your Power Wheels® 12 volt orange battery.
  - **Use only the 12 volt orange battery included with this vehicle.** Do not use any other Power Wheels® 12 volt battery with this vehicle. To replace the 12 volt orange battery, visit us on-line at [www.powerwheels.com](http://www.powerwheels.com) or call 1-800-348-0751.
- Adults Note:** Regularly examine the charger for damage to the cord, plug, housing or other parts that may result in the risk of fire, electric shock or injury. In the event of any damage, do not use the charger until the damage has been properly repaired. Please call 1-800-348-0751.
- If your battery is old and will not accept a charge, do not leave it in the vehicle. Always remove a dead battery from the vehicle.

## ASSEMBLY

### WARNING

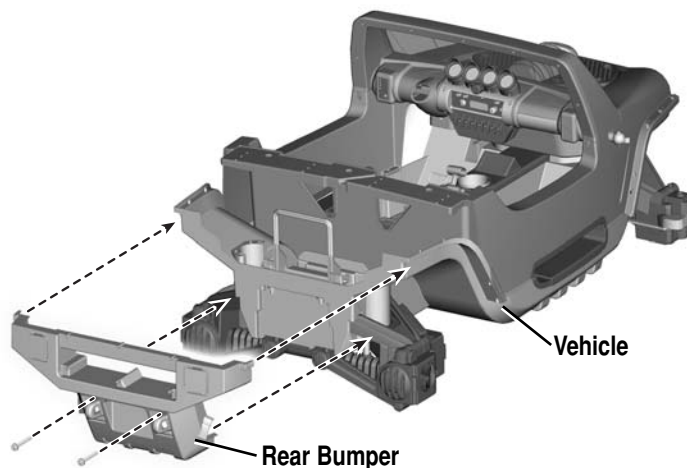
Children can be harmed by small parts, sharp edges and sharp points in the vehicle's unassembled state, or by electrical items. Care should be taken in unpacking and assembly of the vehicle. Children should not handle parts, including the battery, or help in assembly of the vehicle.



- Plug the charger connector into the battery **A**.
- Plug the charger into a standard wall outlet **B**.

#### Notes:

- Use the charger only in a wall outlet. Do not plug the charger into a ceiling outlet.
- If power flow to the wall outlet is controlled by a switch, make sure the switch is "ON".
- Before first-time use, charge the battery for **at least 18 hours**. Never charge the battery longer than 30 hours.
- Recharge the battery for at least 14 hours after each use of your vehicle. Do not charge the battery longer than 30 hours.
- Once the battery is charged, disconnect the charger connector from the battery. Unplug the charger from the wall outlet. The battery is now ready to be installed in your vehicle. Please see the Battery Installation section on page 21 for detailed instructions on installing your battery. If your battery is already installed in your vehicle, simply re-connect the motor harness connector to the battery.

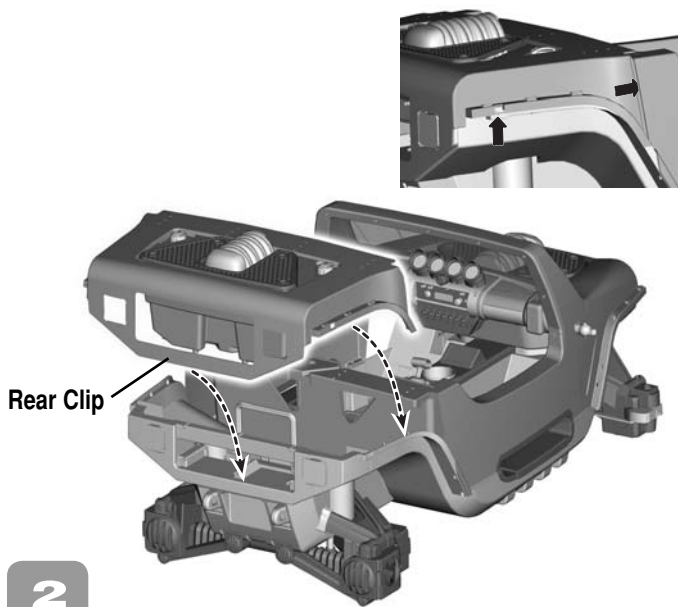


**1**

#### REAR VIEW

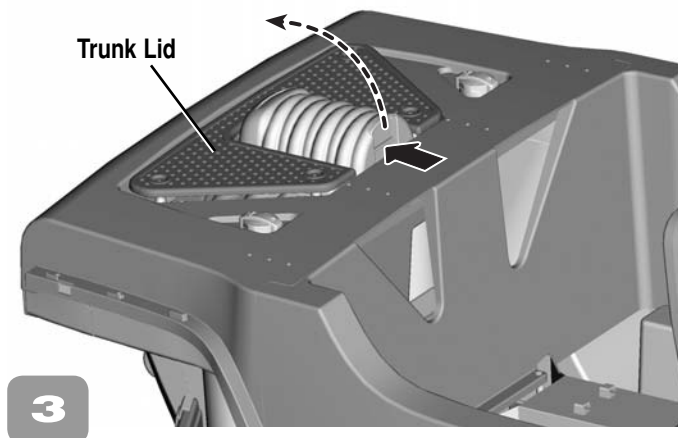
- Fit the rear bumper to the rear end of the vehicle.
- Insert two screws into the rear bumper and tighten.





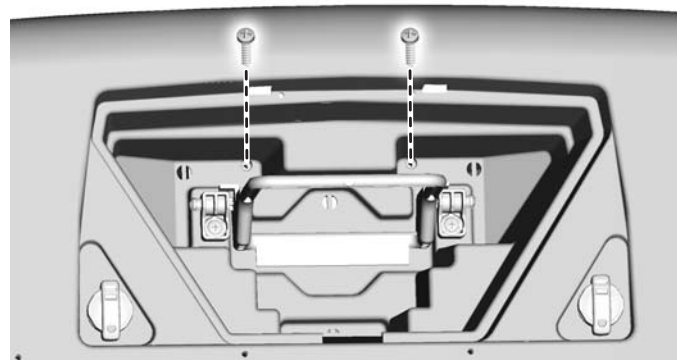
2

- Fit the rear clip onto the rear end of the vehicle and over the rear bumper.
- Make sure the tabs on each side of the rear clip fit into the sides of the vehicle.
- “Snap” the sides of the rear bumper into the openings on each side of the rear clip.



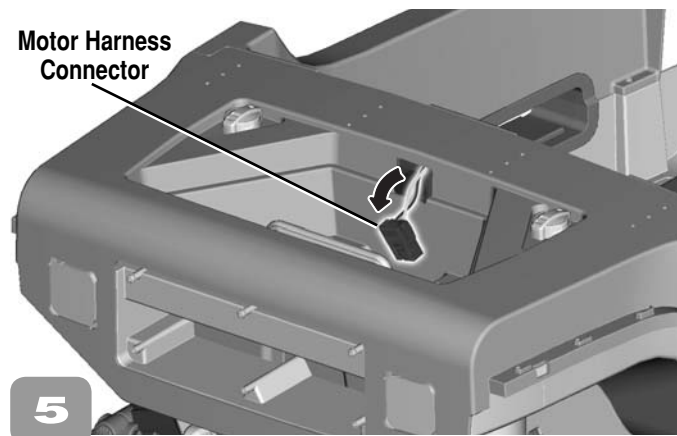
3

- Using safety scissors, cut the plastic tie holding the trunk lid in place.
- Press the tab on the trunk lid and lift to remove it.



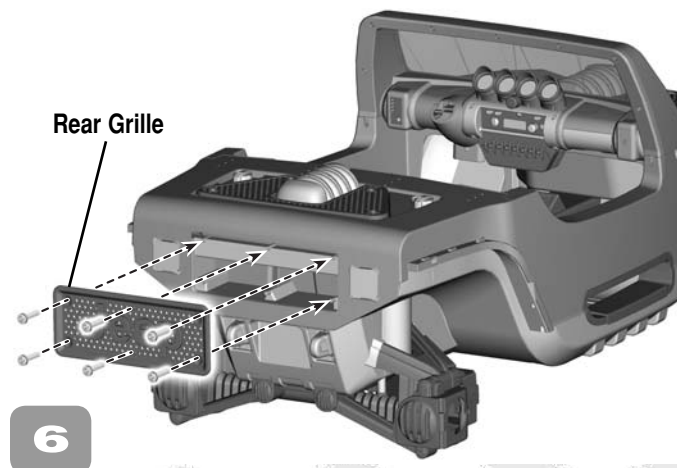
4

- Insert two screws into the trunk and tighten.



5

- Pull the motor harness connector through the opening in the rear clip and into the trunk.
- Replace the trunk lid.



6

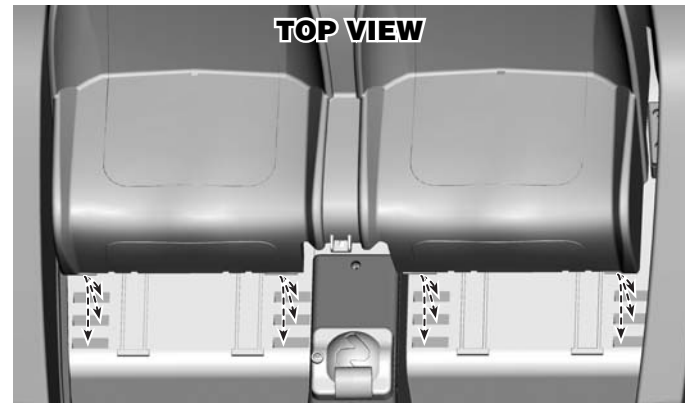
- Fit the rear grille to the rear bumper.
- Insert six screws into the rear grille and tighten.



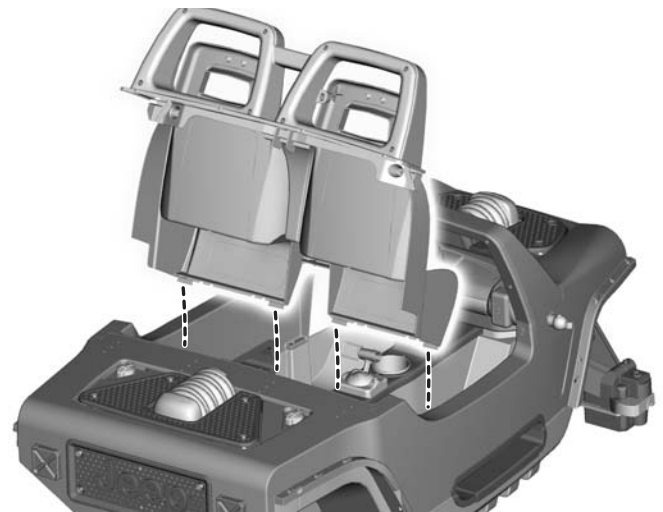
Taillights

7

- “Snap” both tail lights to the rear clip.



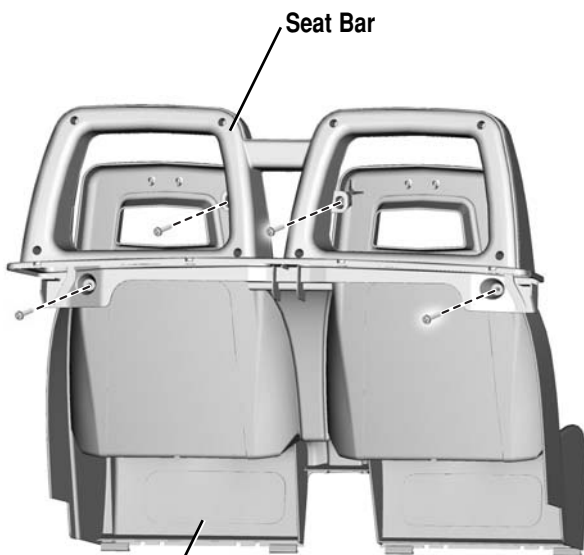
TOP VIEW



9

**Note:** The seat is adjustable and has three positions. You can move the seat back as your child grows.

- Insert the tabs on the front edge of the seat into one of the sets of slots inside the vehicle.
- Choose the slots closest to the dash for shorter drivers and the slots furthest from the dash for taller drivers.

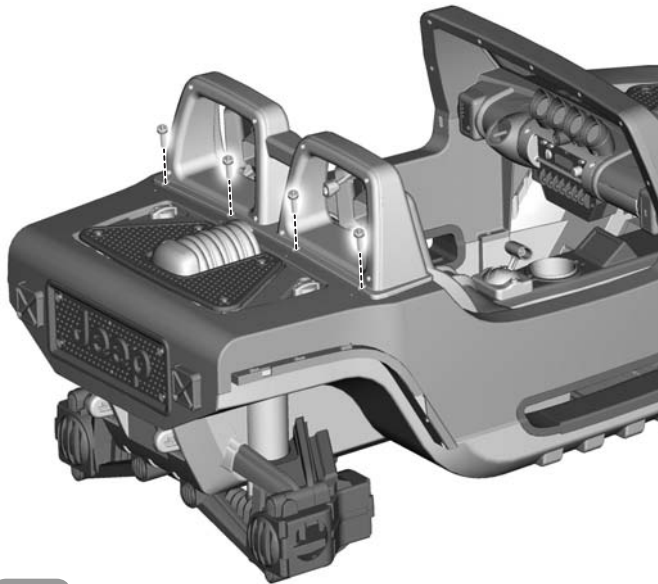


Seat Bar

Seat

8

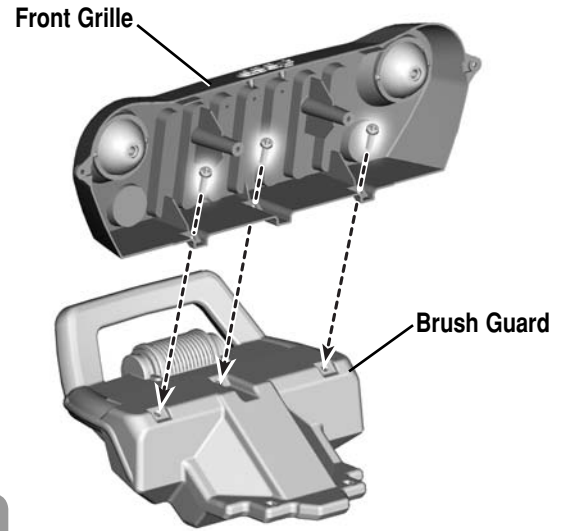
- Fit the seat bar to the back of the seat.
- Insert four screws through the seat bar and into the seat. Tighten the screws.



**10**

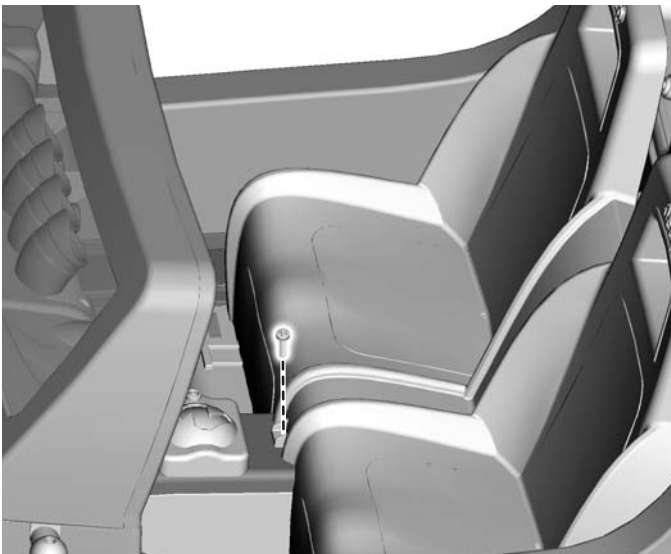
**SIDE VIEW**

- Insert four screws through the seat bar and into the vehicle. Tighten the screws.



**12**

- Fit the front grille to the grooves in the top of the brush guard, as shown.
- Insert three screws through the front grille and into the brush guard. Tighten the screws.



**11**

**INSIDE VIEW**

- Insert a screw into the hole inside the vehicle and between the seats.



**13**

**FRONT VIEW**

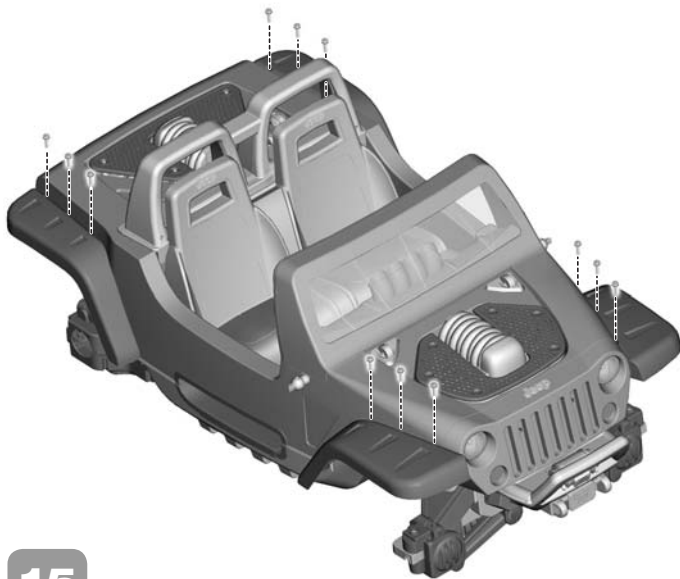
- Fit the front grille assembly to the vehicle.
- Insert four screws into the front grille assembly and tighten.





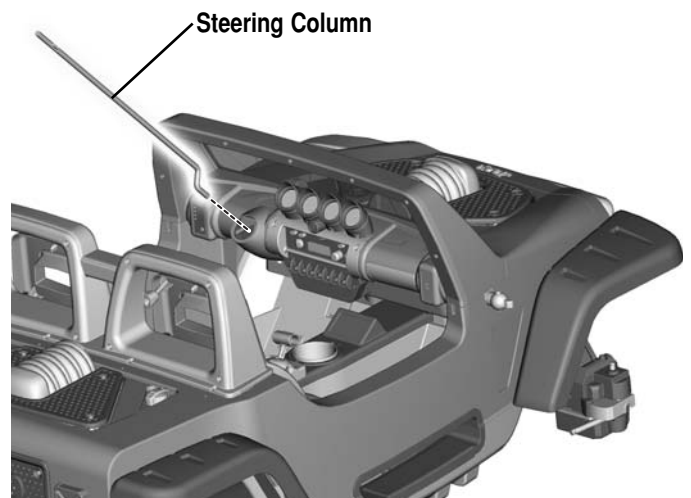
**14**

- Fit the four fenders marked 1, 2, 3 and 4, to the vehicle, as shown.  
*Hint: The fenders are designed to fit the vehicle one way.*



**15**

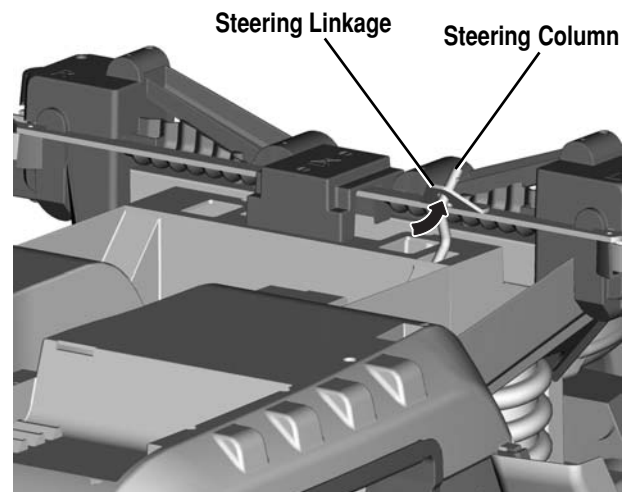
- Fit three screws into each fender and tighten.



**16**

**INSIDE VIEW**

- Wipe the steering column with a paper towel to remove any excess lubricant.
- Insert the curved end of the steering column down through the opening in the dash then down through the hole in the vehicle floor.  
*Hint: You may need to turn the steering column to fit it through all the openings.*

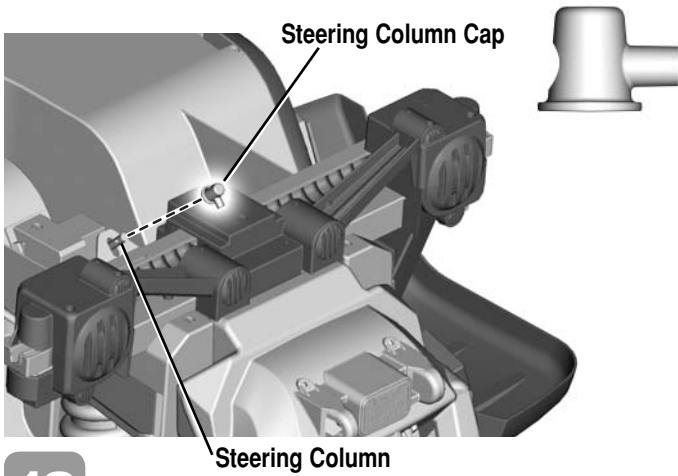


**17**

**BOTTOM VIEW**

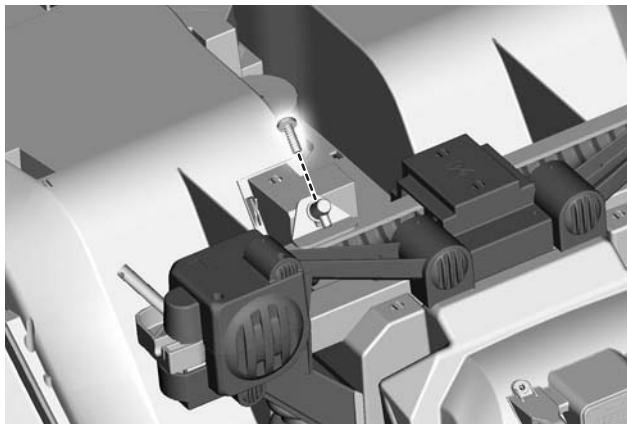
- Carefully turn the vehicle over.
- Insert the curved end of the steering column through the hole in the steering linkage.





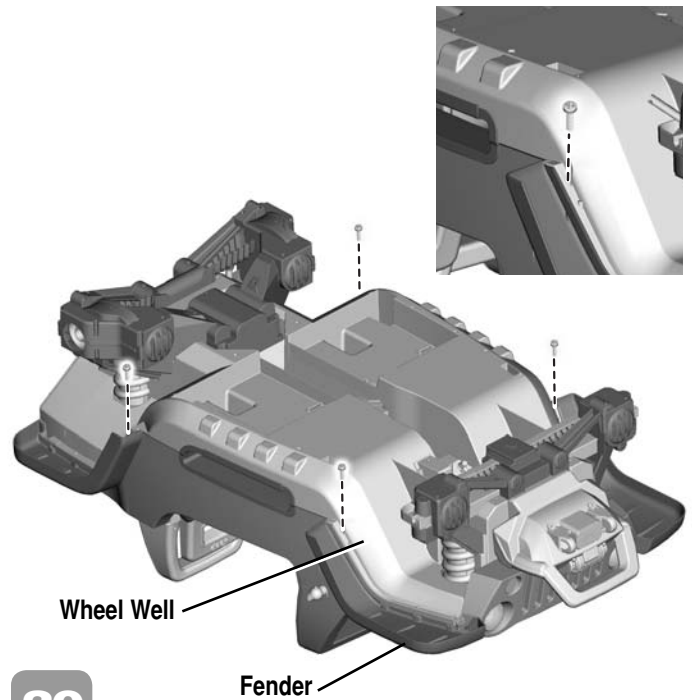
**18**

- Fit the steering column cap onto the end of the steering column.



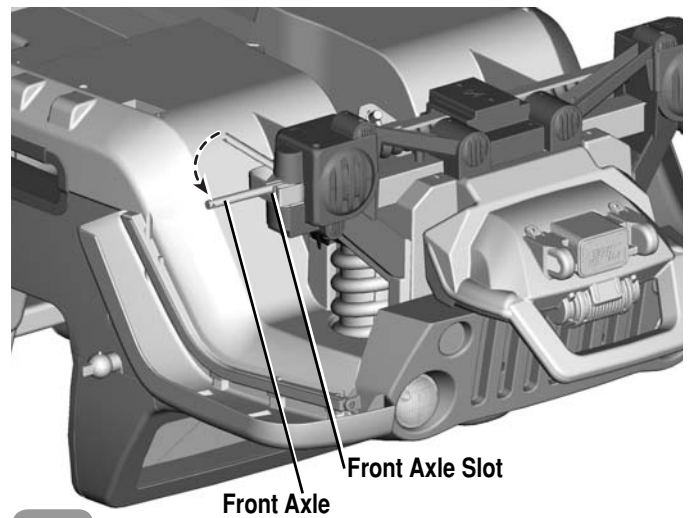
**19**

- Insert a screw through the large opening in the steering column cap and the hole in the steering column. Tighten the screw.



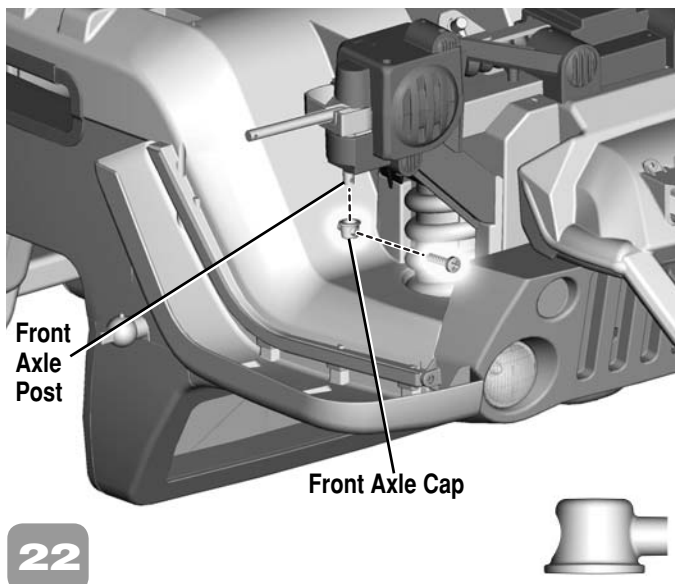
**20**

- Insert a screw through each wheel well and into each fender and tighten.

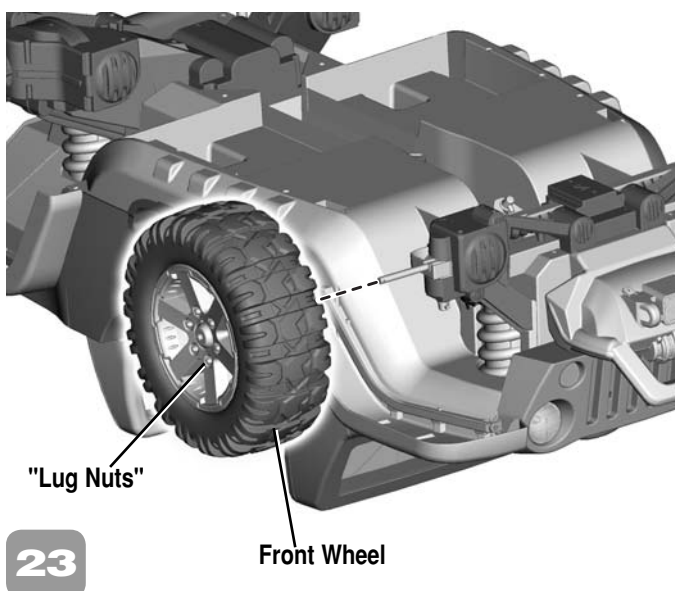


**21**

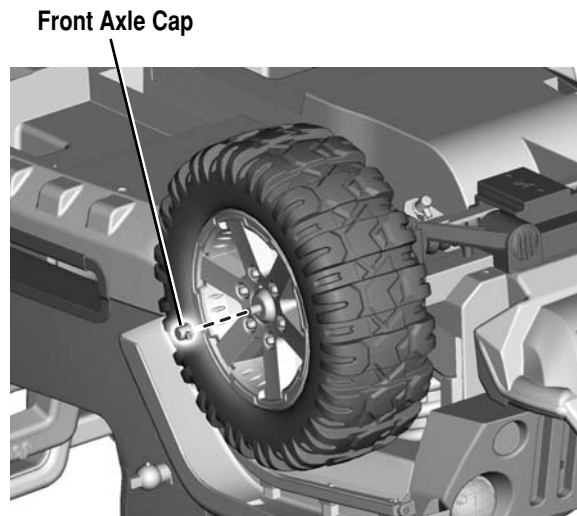
- Turn both front axles forward until they drop into the axle slots.



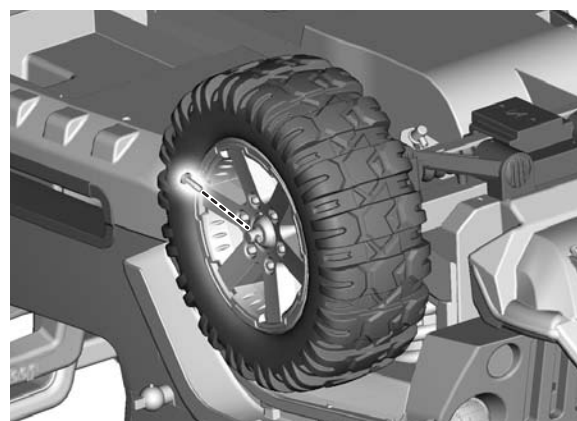
- 22**
- Fit a front axle cap onto the front axle post and hold it in place.
  - Insert a screw through the large opening in the front axle cap and the hole in the front axle. Tighten the screw.
  - Repeat this procedure to fasten the bottom of the other front axle.



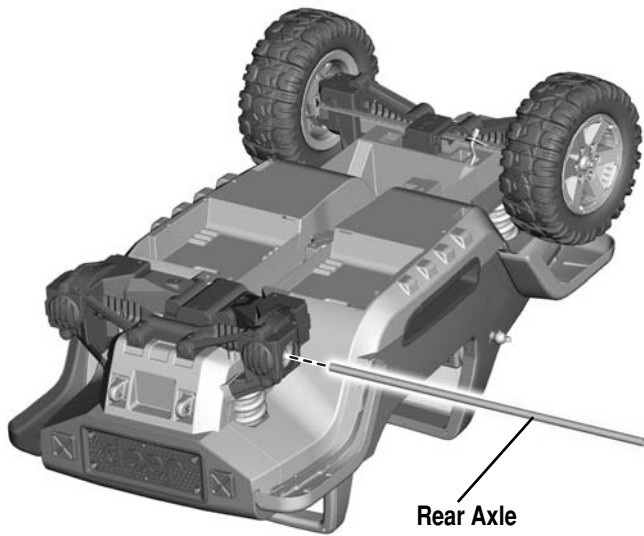
- 23**
- Note:** There are front and rear wheels. The rear wheels have a grooved hub while the front wheels do not.
- Locate a front wheel. Place the front wheel onto the front axle with the "lug nuts" facing out.



- 24**
- Fit a front axle cap onto the end of the front axle.



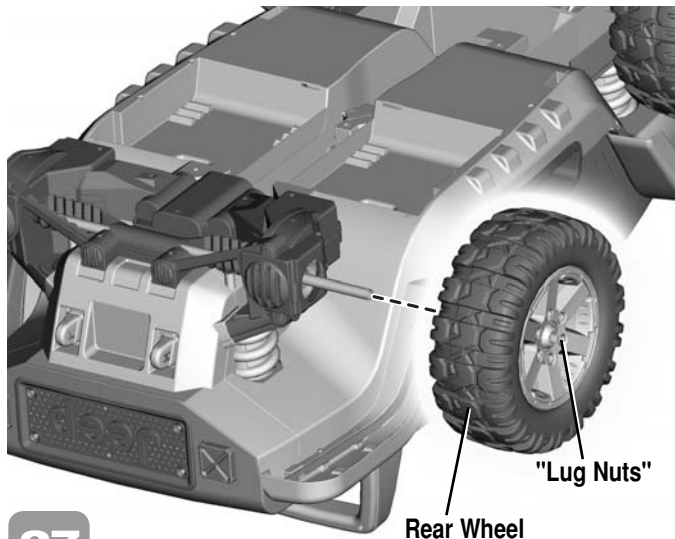
- 25**
- Insert a screw through the large opening in the front axle cap and the hole in the front axle. Tighten the screw.
  - Repeat this procedure to attach the other front wheel to the other front axle.



**26**

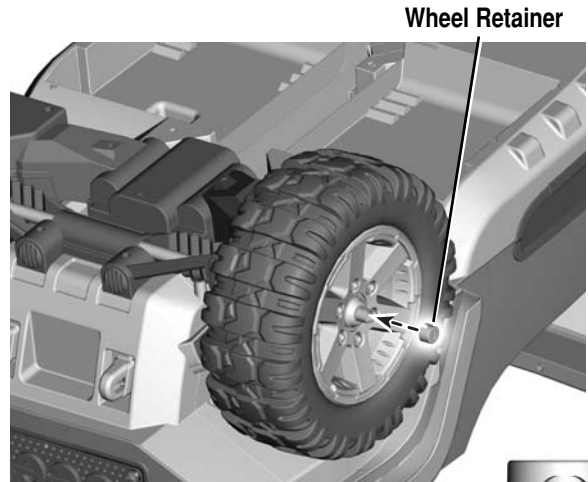
**REAR VIEW**

- Slide the rear axle through the large opening near the rear of the vehicle, as shown.



**27**

- Place a rear wheel onto the rear axle with the "lug nuts" facing out.
- Turn the wheel until it "locks" in place.



**28**

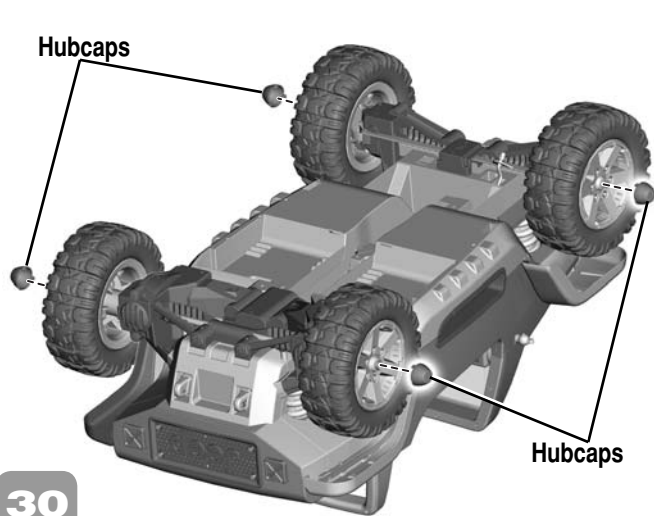
- Fit a wheel retainer onto the end of the rear axle.



**29**

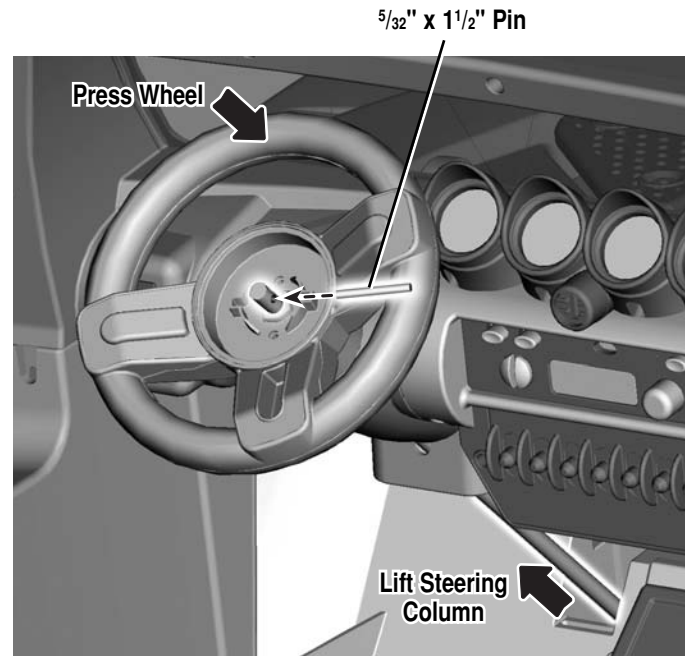
- Insert a screw through the large opening in the wheel retainer and the hole in the rear axle. Tighten the screw.
- Push the axle into the wheel as far as it will go.
- Repeat this procedure to assemble the other rear wheel to the other end of the rear axle.





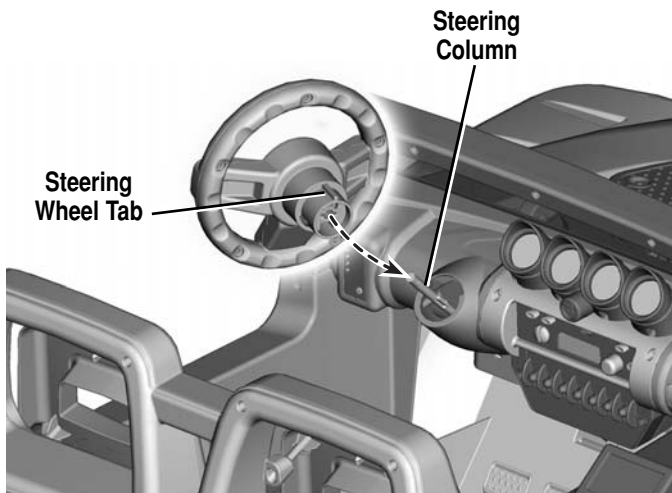
30

- Align the tabs on a hubcap with the slots in the wheel. “Snap” a hubcap into the center of each wheel.
- Turn the vehicle upright.



32

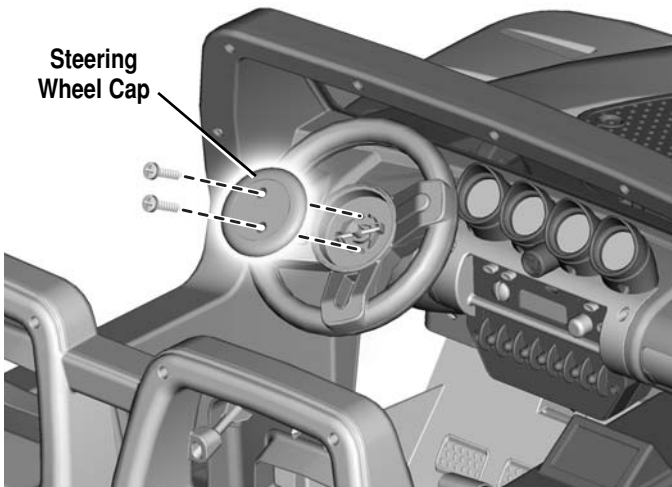
- While pressing down on the steering wheel, grasp the steering column under the dash and pull it up as far as it will go.
- Insert the  $\frac{5}{32}$ " x  $1\frac{1}{2}$ " pin through the hole in the end of the steering column.
- Grasp the steering column again and pull down to fit the pin into the grooved area in the center of the steering wheel.



31

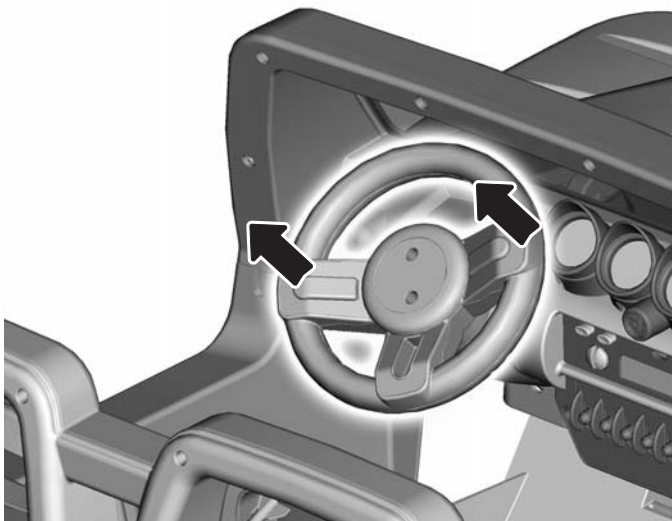
- Position the steering wheel so that the tab is **upright**.
- Fit the steering wheel onto the end of the steering column.





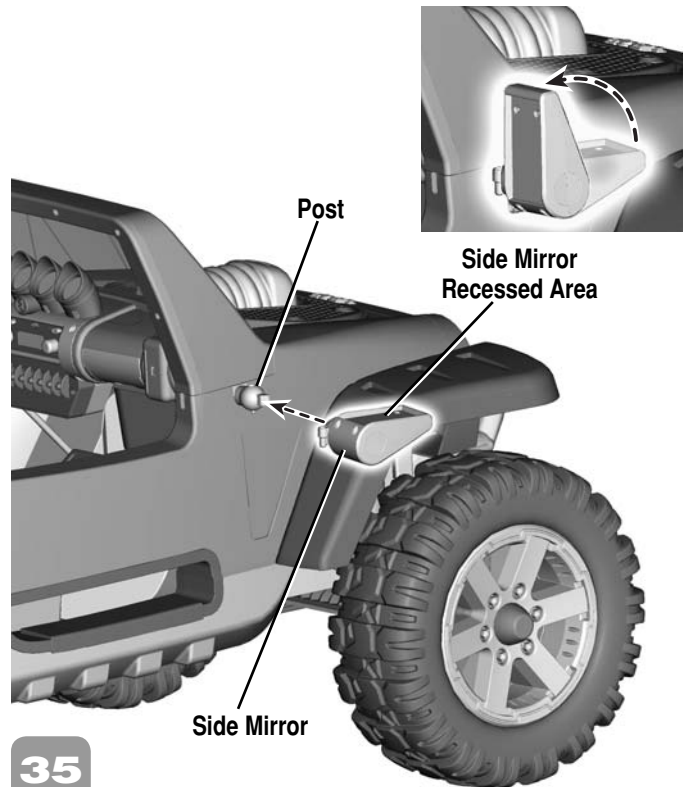
33

- Fit the steering wheel cap onto the center of the steering wheel.
- Insert two screws into the steering wheel cap and tighten.



34

- Pull up on the steering wheel to be sure it is assembled correctly. **If you can remove the steering wheel, you have not inserted the pin properly.** Please review these instructions and re-assemble the steering wheel.



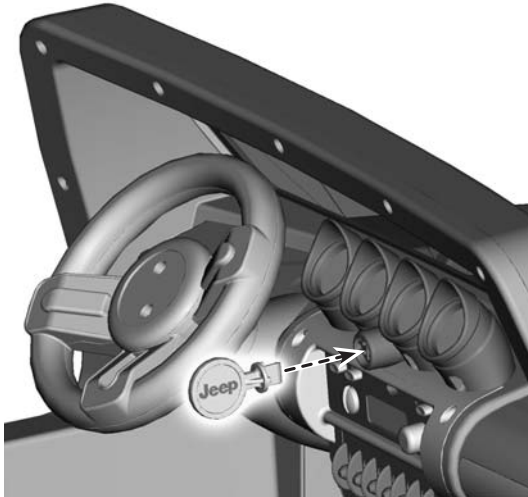
35

- Position a side mirror with the recessed area facing up, as shown.
- “Snap” the side mirror onto the post on the side of the vehicle.
- Turn the mirror upright.



36

- Insert a screw into the side mirror and tighten.
- Repeat this procedure to assemble the other side mirror.



**37**

- “Snap” the key into the dash.
- Using safety scissors, cut the plastic tie holding the hood in place.

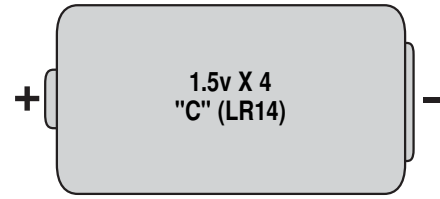


**38**

- Locate the simulated equalizer on the dash.
  - Loosen two screws in the simulated equalizer and remove it.
  - Insert four “C” (LR14) **alkaline** batteries.
- Hint: We recommend using **alkaline** batteries for longer battery life.*
- Replace the simulated equalizer and tighten the screw with a Phillips screwdriver.
  - When sounds or lights become faint or stop, it’s time for an adult to change the batteries!



- Protect the environment by not disposing of this product with household waste (2002/96/EC). Check your local authority for recycling advice and facilities (Europe only).



Shown Actual Size

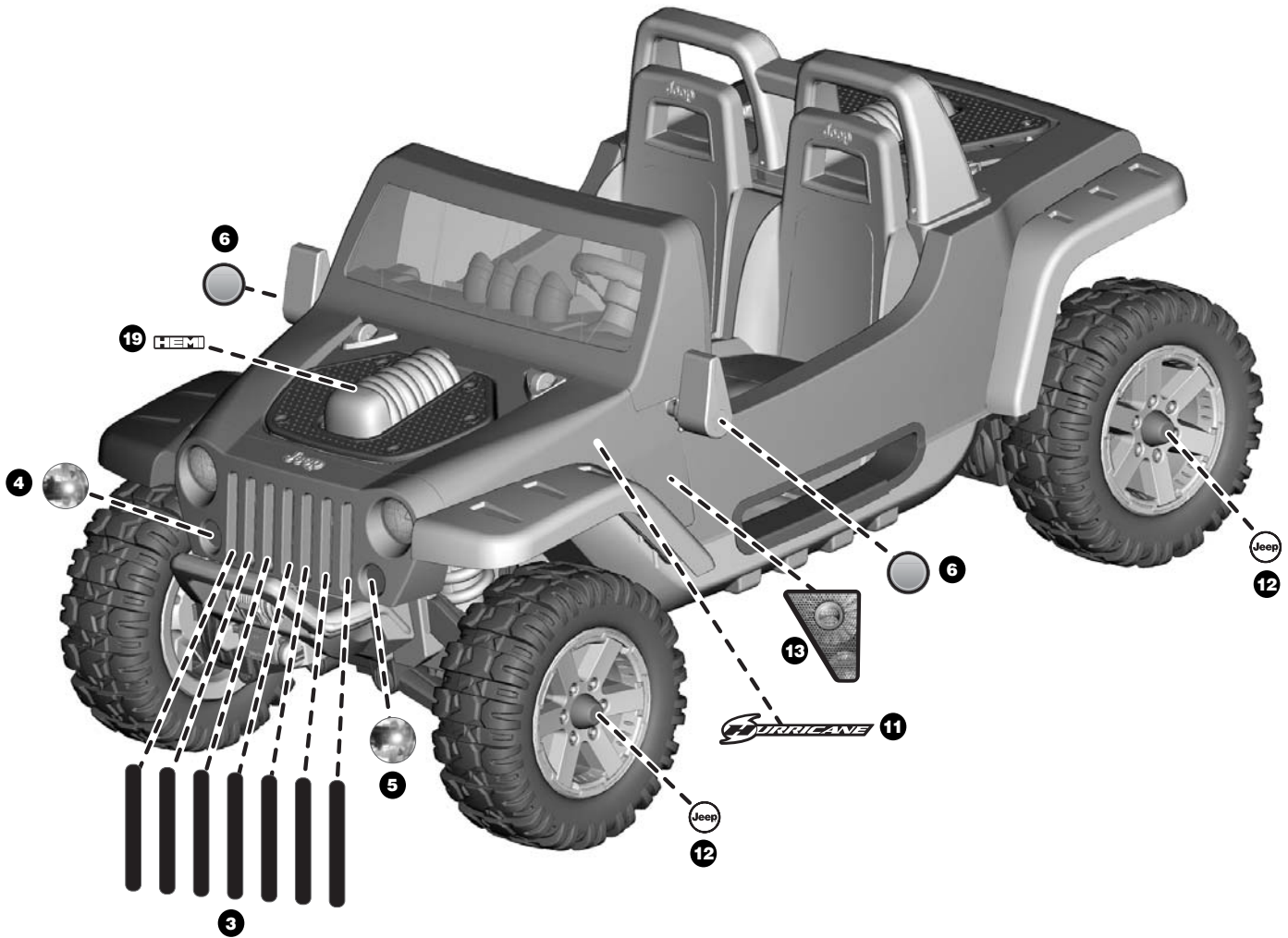
### Battery Safety Information

In exceptional circumstances batteries may leak fluids that can cause a chemical burn injury or ruin your toy. To avoid battery leakage:

- Do not mix old and new batteries or batteries of different types: alkaline, standard (carbon-zinc) or rechargeable (nickel-cadmium).
- Insert batteries as indicated inside the battery compartment.
- Remove batteries during long periods of non-use. Always remove exhausted batteries from the toy. Dispose of batteries safely. Do not dispose of this product in a fire. The batteries inside may explode or leak.
- Never short-circuit the battery terminals.
- Use only batteries of the same or equivalent type, as recommended.
- Do not charge non-rechargeable batteries.
- Remove rechargeable batteries from the toy before charging.
- If removable, rechargeable batteries are used, they are only to be charged under adult supervision.

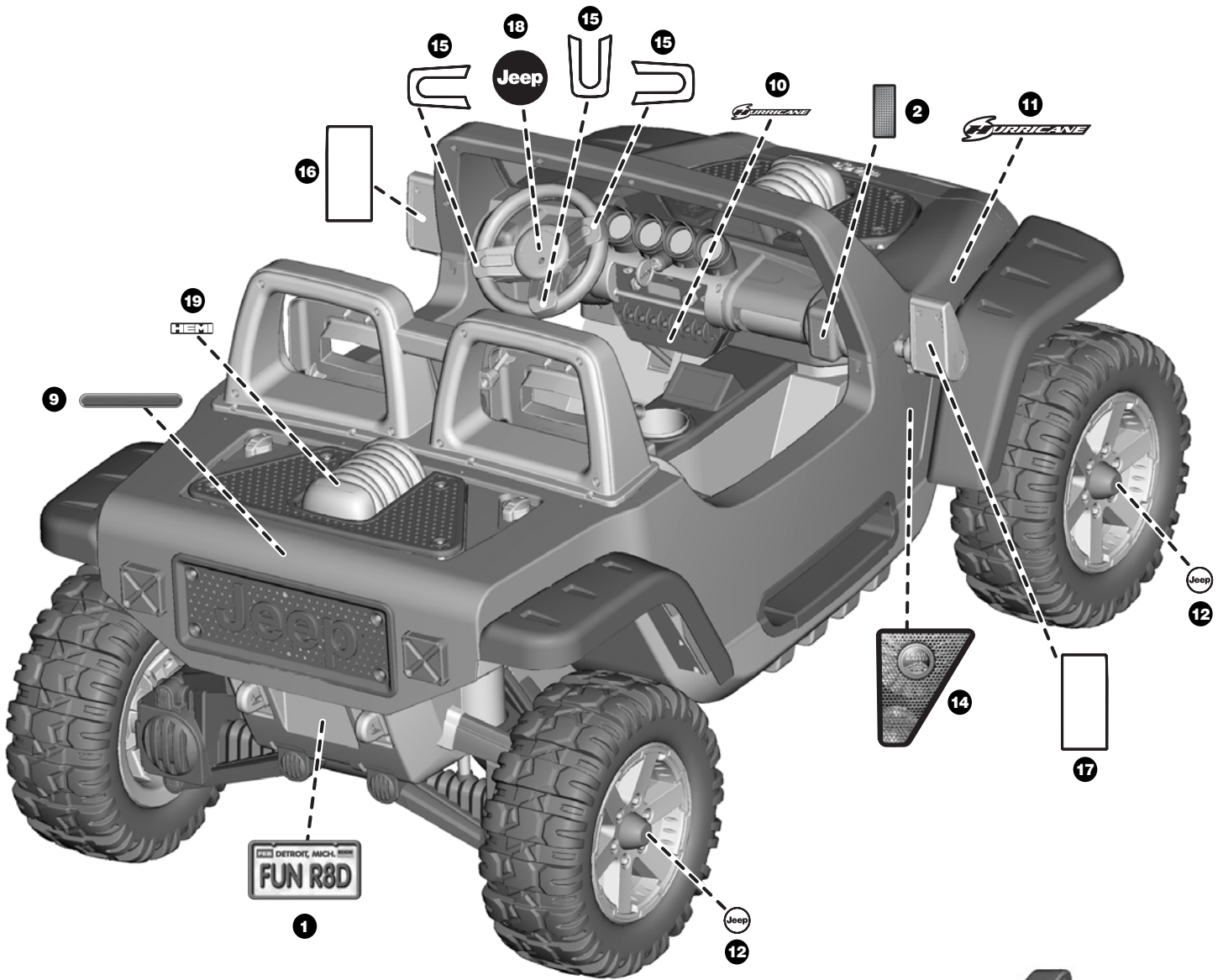
## DECORATION

- Before applying the labels, wipe the surface of the vehicle with a clean, dry cloth to remove any dust or oils.
- Place the labels exactly as shown in the illustrations. For best results, avoid repositioning a label once it has been applied to the vehicle.
- After applying a label, rub the label firmly with a clean, dry cloth to make sure the label is adhered to your vehicle. Start at the center of a label, and smooth towards the outer edges to remove air bubbles.

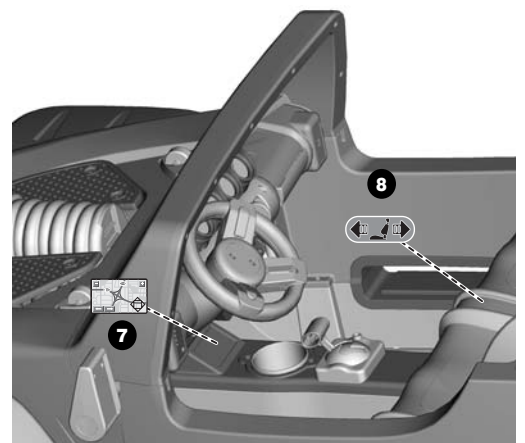


**FRONT VIEW**





**BACK VIEW**

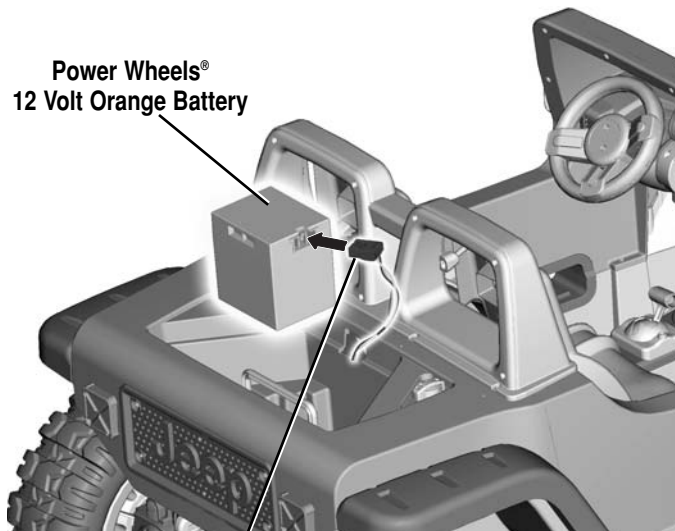


**SIDE VIEW**



## BATTERY INSTALLATION

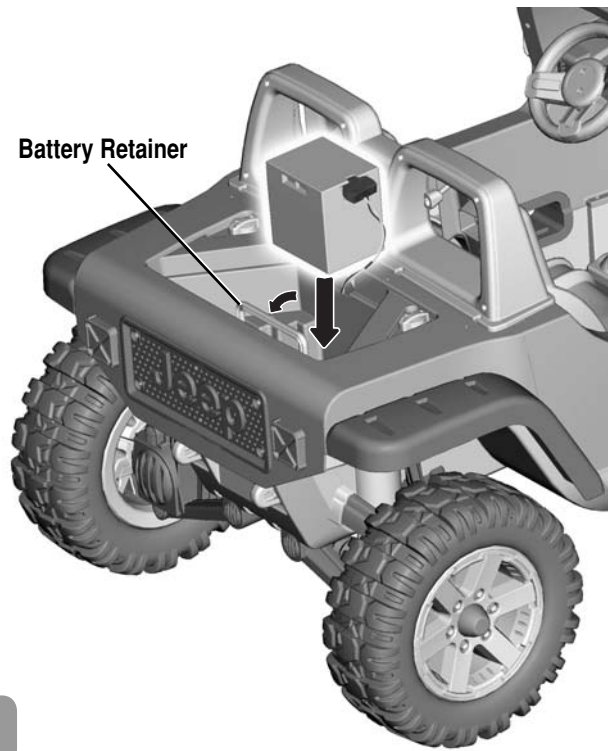
**IMPORTANT!** Use only a Power Wheels® 12 volt orange lead-acid rechargeable battery. Use of any other battery will damage your vehicle. Make sure that you charge the battery for at least 18 hours using the enclosed Power Wheels® 12 volt charger before operating your vehicle for the first time. Charge the battery for at least 14 hours after each use of the vehicle. Never charge the battery longer than 30 hours. Failure to follow these instructions may damage your battery and will void your warranty.



**1**

### Orange Motor Harness Connector

- Press the tab on the trunk lid and lift to remove it.
- Plug the orange motor harness connector into the battery.



**2**

- Place the battery in the battery compartment. Make sure the battery retainer slides over the top of the battery.
- Replace the trunk lid.

# BATTERY CARE AND DISPOSAL

## Care

**If a battery leak develops**, avoid contact with the leaking acid and place the damaged battery in a plastic bag. See information below for proper disposal.

**If acid comes in contact with skin or eyes**, flush with cool water for at least 15 minutes and call a physician.

**If acid is internally ingested**, give water, milk of magnesia or egg whites immediately. Never give emetics or induce vomiting. Call a physician.

- Charge a new battery for at least 18 hours before first use. Never charge the battery longer than 30 hours. Overcharging or undercharging the battery may shorten battery life and decrease vehicle running time.
- After the first charge, recharge the battery for at least 14 hours after each use. Never charge the battery longer than 30 hours. Charge the battery after each use, regardless of how long the vehicle was used.
- The battery must be upright while charging.
- Do not allow the battery to run down completely before charging.
- Charge the battery before storing the vehicle.
- Charge the battery at least once per month, even if the vehicle has not been used.
- Leaving the battery in a discharged condition will ruin it.
- Always remove an exhausted battery from the vehicle. Battery leakage and corrosion can damage the vehicle.
- Do not store the battery on a surface (such as a kitchen counter top) which could be damaged by the acid contained inside the battery. Take precautions to protect the surface on which you store the battery.
- Do not store the battery in temperatures above 75° F or below -10° F.
- Use only a Power Wheels® 12 volt orange battery. Remember to charge the new battery for at least 18 hours before first use.
- Prevent the battery from moving freely inside the battery compartment. **Always use the battery retainer to secure the battery in the battery compartment.**
- Examine the battery, charger and their connectors for excessive wear or damage each time you charge the battery. If damage is detected, do not use the charger or the battery until you have replaced the worn or damaged part.

## Disposal



- Your Power Wheels® battery is a non-spillable, sealed lead-acid battery. It must be recycled or disposed of in an environmentally sound manner.
- Do not dispose of a lead-acid battery in a fire. The battery may explode or leak.
- Do not dispose of a lead-acid battery in your regular, household trash. The incineration, landfilling or mixing of sealed lead-acid batteries with household trash is prohibited by law in most areas.
- Protect the environment by not disposing of this product with household waste (2002/96/EC). Check your local authority for recycling advice and facilities (Europe only).
- Return an exhausted battery to a federal or state approved lead-acid battery recycler, such as a Power Wheels® authorized service center or a local seller of automotive batteries. For the authorized service center location nearest to you, please visit us on-line at [www.powerwheels.com](http://www.powerwheels.com) or call 1-800-348-0751. Contact your local waste management officials for other information regarding the environmentally sound collection, recycling and disposal of lead-acid batteries. If you live in the State of Florida or the State of Minnesota, it is prohibited by law for anyone to throw away lead-acid batteries in the municipal waste stream.

# SAFE DRIVING RULES

## RIDING HAZARD

### WARNING

#### • Prevent Injuries and Deaths

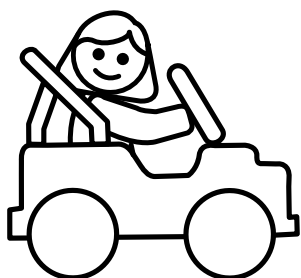
- Direct Adult Supervision Required.
- Never Ride at Night.
- Keep Children Within Safe Riding Areas. These areas must be:

- away from swimming pools and other bodies of water to prevent drownings
- generally level to prevent tipovers
- away from steps, steep inclines, cars, roads and alleys.

#### • Riding Rules

Make sure children know and follow these rules for safe driving and riding.

- Always sit on the seat.
- Always wear shoes.
- Only 2 (two) riders at a time.



Restrict your child's driving to areas that are generally level.

## Teach Safety Rules to Children

While children can quickly develop the skill necessary to drive this vehicle, it is important to remember that their judgment skills are still very immature. Unsupervised driving by children can lead to serious injury. Before children use this vehicle, an adult should carefully evaluate the driving area as well as the children's skill level and ability to drive this vehicle safely. Children are not always able to recognize or anticipate hazards, even when they have been taught about them. There is no acceptable substitute for direct adult supervision.

Teach appropriate safety rules to your child before allowing operation of this vehicle. These rules should also be reviewed with neighborhood children or other playmates who want to drive this vehicle.

## Riding Rules

**Make sure children know and follow these rules for safe driving:**

1. Always sit on the seat.
2. Always wear shoes.
3. Only 2 (two) riders at a time. A child who is not sitting on the seat or who is standing on the vehicle could fall off, cause a tip-over or block the driver's view. A child could be seriously injured.
4. Do not allow any child to drive the vehicle in the street or near moving (motorized) vehicles.
5. Do not allow any child to drive near bodies of water (such as pools or creeks), obstructions (such as furniture, low tree limbs or play equipment), or drop-offs (such as stairs or decks).
6. Do not allow any child to drive the vehicle in the dark. A child could encounter unexpected obstacles and have an accident. Operate the vehicle only in the daytime or a well-lit area.
7. Teach your child to avoid driving on steep inclines or slopes. Restrict your child's driving to areas that are fairly level with gentle inclines or slopes.
8. Do not allow your child to drive down or across a steep slope.
  - The vehicle may gain unsafe speed, even if the pedal is released to stop.
  - The vehicle may tilt and tip over.
  - The wheels could lose traction, causing the vehicle to slip.
9. Do not allow your child to drive up steep inclines. The motor may stop and the vehicle could roll backwards at an unsafe speed.
10. Never put anything near any moving parts. Rotating parts such as motors, gear boxes and wheels can snag fingers, hair, etc., causing serious injury. Do not allow operation of the vehicle when it is on its side or in an upside-down position.
11. Do not operate the vehicle near flammable vapors (gasoline, paint thinner, acetone, liquid wax, etc.). The vehicle's electrical switches, like most electrical switches, emit an internal spark when first turned on or turned off. The presence of flammable liquids or vapors could cause an explosion or a fire. Keep all flammable products in tightly sealed containers and away from the vehicle.
12. Do not allow a child to operate the vehicle without direct adult supervision. To prevent unsupervised use of the vehicle, disconnect the motor harness from the battery when the vehicle is not in use.

# VEHICLE OPERATION

As assembled, your vehicle is ready to roll in low speed (2½ mph, maximum). After your child has mastered the basic skills of driving and understands the rules for safe driving, it's time to remove the high speed lock-out screw to allow the vehicle to operate in low or high speed. See the instructions on this page to remove the high speed lock-out screw.

## Low Speed



- Make sure the shifter is in the low speed **1** position .
- Press down on the foot pedal. The vehicle moves forward at a maximum of 2½ mph. Help your child practice steering to learn how far and how quickly to turn the steering wheel when driving forward in low speed.

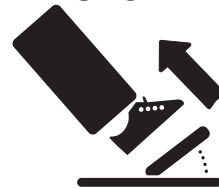
## To Back Up



**IMPORTANT!** To avoid damaging the motors and gears, stop the vehicle before shifting from forward to reverse. Once your child is completely comfortable with operating the vehicle in the forward mode, introduce reverse.

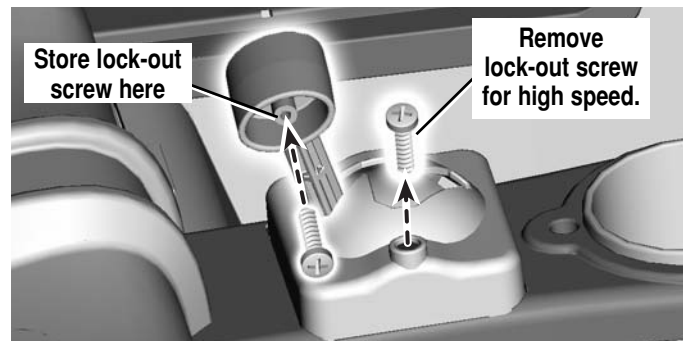
- Make sure the shifter is in the reverse **R** position.
- Press down on the foot pedal. The vehicle will go in reverse at a maximum of 2½ mph. The vehicle is designed to operate in **low speed only in reverse**. Help your child practice steering to learn how far and how quickly to turn the steering wheel when driving in reverse.

## STOP!



- Your vehicle has a patented, electronic braking system that automatically stops the vehicle when your child's foot lifts from the pedal.
- Make sure your child is comfortable with steering the vehicle and automatically knows how to stop.

## High Speed



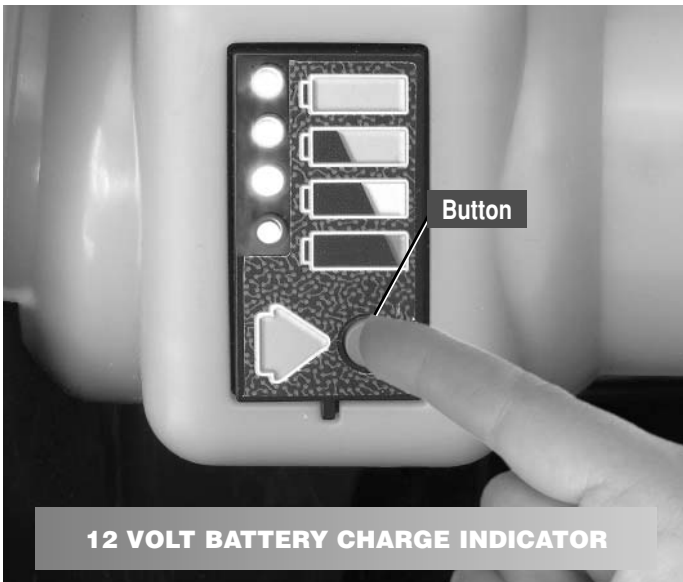
- Before you disconnect the high speed lock-out, make sure your child knows how to steer, how to start and stop the vehicle and knows the rules for safe driving. When the high speed lock-out is disconnected, the vehicle can be driven forward in low speed (2½ mph, maximum) or high speed (5 mph, maximum).
- Make sure the shifter is in the low speed **1** position.
- Loosen and remove the screw in the shifter base.
- Place the lock-out screw into the hole in the shifter handle for future use. It can be re-inserted into the shifter base to lock-out high speed.



- Make sure the shifter is in the high speed **2** position.
- Press down on the foot pedal. The vehicle moves forward at a maximum of 5 mph. Help your child practice steering to learn how far and how quickly to turn the steering wheel when driving forward in high speed.



## CHARGE INDICATOR



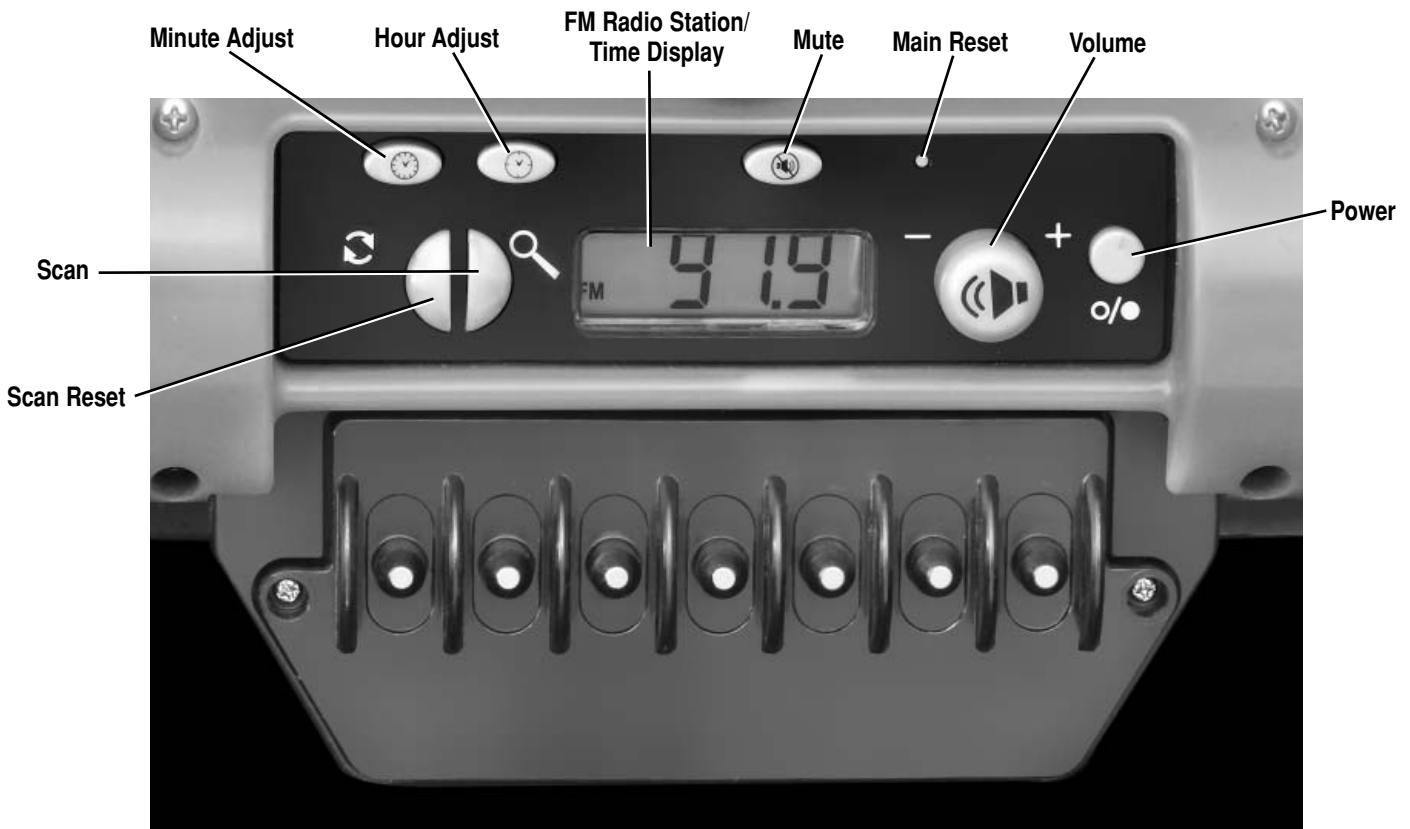
- Press the 12 volt battery charge indicator button to check the power level of your battery:
  - All four lights means the 12 volt battery is 100% (fully) charged.
  - Three lights means the 12 volt battery is 75% (mostly) charged.
  - Two lights means the 12 volt battery is 50% charged. We recommend recharging your battery for 14 hours.
  - One or no lights means the 12 volt battery needs charging. Fully charge your battery for 14 hours.

**Hint:** For the most accurate reading, do not press the battery charge indicator while the vehicle is moving.


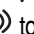
## VEHICLE CARE

- Check all screws regularly and tighten as required. Check plastic parts on a regular basis for cracks or broken pieces.
- During snowy or rainy weather, the vehicle should be stored inside or under a protective cover. Remember to charge the battery at least once per month while your vehicle is not in regular use.
- An extremely dirty vehicle can be rinsed with a hose but avoid spraying directly into switches, motors and battery compartment. Water or moisture in the motors or electrical switches can cause them to corrode, and could cause switch or motor failure.
- Avoid operating the vehicle on sand. Sand in the motors or electrical switches can cause them to jam, and could cause switch or motor failure.
- The vehicle can be wiped down with a soft, dry cloth. For a shiny finish, you can wipe plastic parts with a non-wax furniture polish applied to a soft-cloth. Do not use automotive wax.
- To ensure that your vehicle stays in good operating order, we recommend that you periodically have your vehicle checked by a Power Wheels® authorized service center. For the location of the authorized service center nearest you, please visit us on-line at [www.powerwheels.com](http://www.powerwheels.com) or call 1-800-348-0751.

## FM RADIO/DIGITAL CLOCK USE



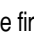


### Power/Volume

- Press the power button  to turn on or off.
- Turn the volume dial  to adjust to a comfortable listening level.

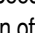
**Hint:** The FM Radio will turn off automatically after several minutes of non-use.

### FM Radio

- Press the scan button  to find a station.
- Press the scan button  again to go to the next station.
- To reset the radio to the first station, press the scan reset button .
- FM Radio reception varies from area to area. If the tuned station is lost due to poor reception, the radio automatically scans to the next station with good reception.

**Hint:** Each time power is turned off and back on, the FM Radio will reset to the first station.

### Cool Lights and Sound Effects

- Turn the steering wheel, shift speeds or press the key for cool lights, sound effects and expressions.
- Press the mute button  to turn off these sounds. The FM radio can still be heard. Press the mute button again to turn the sounds back on.

### Setting the Digital Clock

- Press the power button  off.
- Press the hour adjust button  to set the hour.
- Press the minute adjust button  to set the minute.

**Hint:** Your child may accidentally hit the hour or minute adjust buttons and change the time on the clock. Simply use these buttons to reset to the correct time!

**IMPORTANT!** If the FM Radio or Digital Clock function erratically, press the main reset button with the point of a pen (or similar object).


## PROBLEMS AND SOLUTIONS


**IMPORTANT!** If you experience a problem with your vehicle, first check the Problems and Solutions Guide below. If you still experience a problem, please contact Power Wheels® Consumer Relations, toll-free at **1-800-348-0751** between 9 AM - 7 PM (EST) Monday through Friday and 11 AM - 5 PM (EST) Saturday. Or, contact your local Power Wheels® authorized service center. For the location nearest you, please visit us on-line at [www.powerwheels.com](http://www.powerwheels.com), or call **1-800-348-0751**.

PROBLEM	POSSIBLE CAUSE	SOLUTION
Vehicle does not run	Undercharged battery	<p>Charge the battery. A new battery should have been charged for at least 18 hours before using the vehicle for the first time. After first-time use, recharge the battery for at least 14 hours after each use. Never charge the battery longer than 30 hours.</p> <p>Check all connectors. Make sure the charger connector is plugged into the battery, and that the charger is plugged into the wall.</p> <p>Make sure power flow to the wall outlet is "ON".</p>
	Charger is not working	There is no sure way to tell if your charger is working unless you have a volt meter. If you suspect there is a problem with your charger, contact your local Power Wheels® authorized service center. They can test your charger for you.
	Tripped thermal fuse	<p>The built-in thermal fuse may "trip" and shut down operation of the vehicle if the vehicle is overloaded or the driving conditions too severe. Once a fuse has "tripped", remove your foot from the pedal and wait approximately 25 seconds before operating the vehicle again. To avoid repeated automatic shutdowns, do not overload the vehicle by exceeding the 130 lb. (59 kg) maximum weight capacity or by towing anything behind the vehicle. Do not drive up hills or run into fixed objects, which can cause the wheels to stop spinning while power is still being supplied to the motors. If a thermal fuse continually trips, contact your local Power Wheels® authorized service center.</p> <p>You have replaced the 12 volt orange battery that came with this vehicle with a regular Power Wheels® 12 volt battery. For best performance, use only a Power Wheels® 12 volt orange battery. Visit us on-line at <a href="http://www.powerwheels.com">www.powerwheels.com</a> or call <b>1-800-348-0751</b> for information to purchase a 12 volt orange battery.</p>
	Loose wire or loose connectors	Check all wires and connectors. Make sure the motor harness connector is plugged into the battery, and that there are no loose wires around the motors.
	Dead battery	If your battery is old or if you have not followed Battery Care instructions, your battery may be dead. If you are unsure whether or not the battery is dead, you can have it tested at your local Power Wheels® authorized service center.
	Electrical switch damage	The electrical switches can become corroded due to exposure to water or moisture, or can jam due to loose dirt, sand or gravel. Contact your local Power Wheels® authorized service center for diagnosis and repair.
	Motor damage	Contact your local Power Wheels® authorized service center for diagnosis and repair.

PROBLEM	POSSIBLE CAUSE	SOLUTION
Vehicle was running but suddenly stopped	Loose wire or loose connectors	Check all wires and connectors. Make sure the motor harness connector is plugged into the battery, and that there are no loose wires around the motors.
	Tripped thermal fuse	<p>The built-in thermal fuse may "trip" and shut down operation of the vehicle if the vehicle is overloaded or the driving conditions too severe. Once a fuse has "tripped", remove your foot from the pedal and wait approximately 25 seconds before operating the vehicle again. To avoid repeated automatic shutdowns, do not overload the vehicle by exceeding the 130 lb. (59 kg) maximum weight capacity or by towing anything behind the vehicle. Do not drive up hills or run into fixed objects, which can cause the wheels to stop spinning while power is still being supplied to the motors. If a thermal fuse continually trips, contact your local Power Wheels® authorized service center.</p> <p>You have replaced the 12 volt orange battery that came with this vehicle with a regular Power Wheels® 12 volt battery. For best performance, use only a Power Wheels® 12 volt orange battery. Visit us on-line at <a href="http://www.powerwheels.com">www.powerwheels.com</a> or call 1-800-348-0751 for information to purchase a 12 volt orange battery.</p>
Short run time (Less than 1 - 3 hours per charge)	Undercharged battery	Charge the battery. A new battery should have been charged for at least 18 hours before using the vehicle for the first time. After first-time use, recharge the battery for at least 14 hours after each use. Never charge the battery longer than 30 hours.
		Check all wires and connectors. Make sure the charger connector is plugged into the battery, and that the charger is plugged into the wall.
	Make sure power flow to the wall outlet is "ON".	
	Overcharged battery	Do not charge the battery longer than 30 hours. If you suspect that your battery is damaged as a result of overcharging, contact your local Power Wheels® authorized service center. They can test your battery for you.
	Battery is old and will not accept full charge	Even with proper care, a rechargeable battery does not last forever. Average battery life is 1 to 3 years depending on vehicle use and use conditions. Replace the battery with a new Power Wheels® 12 volt orange battery. Do not substitute parts.
Tripped thermal fuse	The built-in thermal fuse may "trip" and shut down operation of the vehicle if the vehicle is overloaded or the driving conditions too severe. Once a fuse has "tripped", remove your foot from the pedal and wait approximately 25 seconds before operating the vehicle again. To avoid repeated automatic shutdowns, do not overload the vehicle by exceeding the 130 lb. (59 kg) maximum weight capacity or by towing anything behind the vehicle. Do not drive up hills or run into fixed objects, which can cause the wheels to stop spinning while power is still being supplied to the motors. If a thermal fuse continually trips, contact your local Power Wheels® authorized service center.	
		You have replaced the 12 volt orange battery that came with this vehicle with a regular Power Wheels® 12 volt battery. For best performance, use only a Power Wheels® 12 volt orange battery. Visit us on-line at <a href="http://www.powerwheels.com">www.powerwheels.com</a> or call 1-800-348-0751 for information to purchase a 12 volt orange battery.



<b>PROBLEM</b>	<b>POSSIBLE CAUSE</b>	<b>SOLUTION</b>
Vehicle runs sluggishly	Undercharged battery	Charge the battery. A new battery should have been charged for at least 18 hours before using the vehicle for the first time. After first-time use, recharge the battery for at least 14 hours after each use. Never charge the battery longer than 30 hours.
		Check all connectors. Make sure the charger connector is plugged into the battery, and that the charger is plugged into the wall.
		Make sure power flow to the wall outlet is "ON".
	Battery needs charging	Be sure to charge the battery after each use.
	Battery is old and will not accept full charge	Even with proper care, a rechargeable battery does not last forever. Average battery life is 1 to 3 years depending on the vehicle use and use conditions. Replace the battery with a new Power Wheels® 12 volt orange battery. Do not substitute parts.
	Vehicle is overloaded	Make sure you do not overload the vehicle by allowing more than one rider at one time, by exceeding the 130 lb. (59 kg) maximum weight capacity, or by towing objects behind the vehicle.
	Driving conditions are too stressful	Restrict your child's driving to areas that are generally level with gentle inclines or slopes.
Vehicle runs in low speed, but does not run in high speed.  Please note: The vehicle is designed to operate in low speed only in reverse  .	High speed lock-out not disconnected.	The vehicle was pre-set to run only in low speed. To allow the vehicle to run in low and high speed, you must disconnect the High Speed Lock-Out. Follow the instructions on page 24 to remove the High Speed Lock-Out screw.
When the foot pedal is pressed one rear wheel spins	Operation of vehicle in low speed	It is possible that only one rear wheel may spin when both rear wheels are raised off the ground and the vehicle is in low speed. This does not necessarily indicate a problem. Check for proper operation of the drive system by raising the rear wheels off the ground and pressing the foot pedal. If only one rear wheel spins, carefully press your hand on the spinning wheel to slow it down. The other rear wheel should begin to spin. If the other rear wheel does not begin to spin, there may be a problem with the vehicle. Contact your local Power Wheels® authorized service center for diagnosis and repair.
Sometimes the vehicle doesn't run, but other times it does	Loose wire or connector	Check all wires around the motors and all connectors to make sure they are tight.
	Motor or electrical switch damage	Contact your local Power Wheels® authorized service center for diagnosis and repair.
When the go foot pedal is pressed, the vehicle won't run without a push	Loose wire or connector	Check all wires around the motors and all connectors to make sure they are tight.
	"Dead Spot" on motor	Contact your local Power Wheels® authorized service center for diagnosis and repair.
Battery's thermal fuse constantly "trips", but the vehicle is not overloaded nor the driving conditions too severe	Damaged battery	Contact your local Power Wheels® authorized service center for diagnosis and repair.
	Child is switching between FORWARD and REVERSE without stopping	Teach your child to stop the vehicle before switching direction.

<b>PROBLEM</b>	<b>POSSIBLE CAUSE</b>	<b>SOLUTION</b>
Loud clacking or grinding noise from a motor-gearbox	Broken gears	Contact your local Power Wheels® authorized service center for diagnosis and repair.
Charger gets warm during use	It is normal for some chargers to get warm during use and is not reason for concern.	No action required.
		If your charger does not get warm during use, it does not mean that it is not working properly.
Battery makes a sizzling or gurgling noise when charging	It is normal for some batteries to make noise and swell slightly while charging and is not reason for concern.	No action required.
		If your battery does not make noise or swell slightly during charging, it does not mean that it is not accepting the charge.
FM Radio does not function	Power is off	Power automatically turns off after several minutes of non-use. Press the power button  to turn it back on.
	Batteries are weak or dead	Replace all four batteries with four, new "C" (LR14) <b>alkaline</b> batteries.
FM Radio station changes automatically	Poor reception	You may find better reception of a particular station in a different location.
	Power was turned off and the radio reset back to the first station	Use the scan button to reset to your favorite station.
Digital Clock display is faint or not visible	Batteries are weak or dead	Replace all four batteries with four, new "C" (LR14) <b>alkaline</b> batteries.
	FM Radio is in use	Digital Clock displays only when FM Radio power is off.
I still hear sounds, but the display is blank on the FM Radio/Digital Clock	Batteries are weak or dead	Replace all four batteries with four, new "C" (LR14) <b>alkaline</b> batteries.
FM Radio/Digital Clock function erratically	Electronic lock-up	Press the main reset button on the front of the unit with the point of the pen (or similar object).

## **FCC STATEMENT (United States Only)**

This equipment has been tested and found to comply with the limits for a Class B digital device, pursuant to Part 15 of the FCC Rules. These limits are designed to provide reasonable protection against harmful interference in a residential installation. This equipment generates, uses and can radiate radio frequency energy and, if not installed and used in accordance with the instructions, may cause harmful interference to radio communications. However, there is no guarantee that interference will not occur in a particular installation. If this equipment does cause harmful interference to radio or television reception, which can be determined by turning the equipment off and on, the user is encouraged to try to correct the interference by one or more of the following measures:

- Reorient or relocate the receiving antenna.
- Increase the separation between the equipment and receiver.
- Consult the dealer or an experienced radio/TV technician for help.

**Note:** Changes or modifications not expressly approved by the manufacturer responsible for compliance could void the user's authority to operate the equipment.

## **LIMITED WARRANTY**

### **Bumper-to-Bumper\* Limited Warranty**

**One year limited warranty from the date of purchase  
on the Power Wheels® vehicle.**

**Six month limited warranty on the 12 volt battery.**

For the original purchaser, this one year limited warranty covers the Power Wheels® ride-on vehicle (purchased from Power Wheels®) against defects in materials and workmanship. The six month limited warranty applies only to the 12 volt battery included by Power Wheels® with the original purchase of the vehicle.

This warranty covers normal use and does not cover the Power Wheels® vehicle or battery if damaged by unreasonable use, neglect, accident, abuse, misuse, improper service or other causes not arising out of defects in materials or workmanship. Evidence of any attempt at consumer repair will void this warranty. **THIS WARRANTY DOES NOT COVER, AND IS INTENDED TO EXCLUDE, ANY LIABILITY ON THE PART OF POWER WHEELS®, WHETHER UNDER THIS WARRANTY OR IMPLIED BY LAW FOR ANY INDIRECT OR CONSEQUENTIAL DAMAGES FOR BREACH OF WARRANTY. SOME STATES DO NOT ALLOW THE EXCLUSION OR LIMITATION SO THIS LIMITATION MAY NOT APPLY TO YOU.**

Should you need service or assistance with your vehicle during the warranty period, do not return the vehicle to the store. Power Wheels® has provided a nationwide network of authorized service centers. If there is not an authorized service center in your area, please visit us on-line at [www.powerwheels.com](http://www.powerwheels.com) or call Consumer Relations for information, **1-800-348-0751**.

This warranty gives you specific legal rights, and you may also have other rights which may vary from state to state.

**PLEASE SAVE YOUR ORIGINAL SALES RECEIPT.**



**Before first-time use,  
you must charge the battery  
18 hours!**

Charge the battery immediately after each use.  
Charge the battery once a month, even if the vehicle  
is not used or stored.

**Do not return  
your vehicle to the store!**

We're a toll-free phone call away, and we can help.  
If you are missing parts or need assistance, please call:

**1-800-348-0751**

**9 AM - 7 PM (EST) Monday through Friday and 11 AM - 5 PM (EST) Saturday.**

Or contact your local **independently owned and operated**  
Power Wheels® Authorized Service Center.

For the location nearest you, visit us on-line at **[www.powerwheels.com](http://www.powerwheels.com)**.

Jeep and the Jeep grille design are registered trademarks of DaimlerChrysler Corporation.  
Jeep Wrangler® and its trade dress are used under license from DaimlerChrysler. ©DaimlerChrysler Corporation 2006

Fisher-Price and Power Wheels are U.S. trademarks of Mattel, Inc.  
Fisher-Price, Inc., a subsidiary of Mattel, Inc., East Aurora, New York 14052 U.S.A.

©2006 Mattel, Inc. All Rights Reserved.