

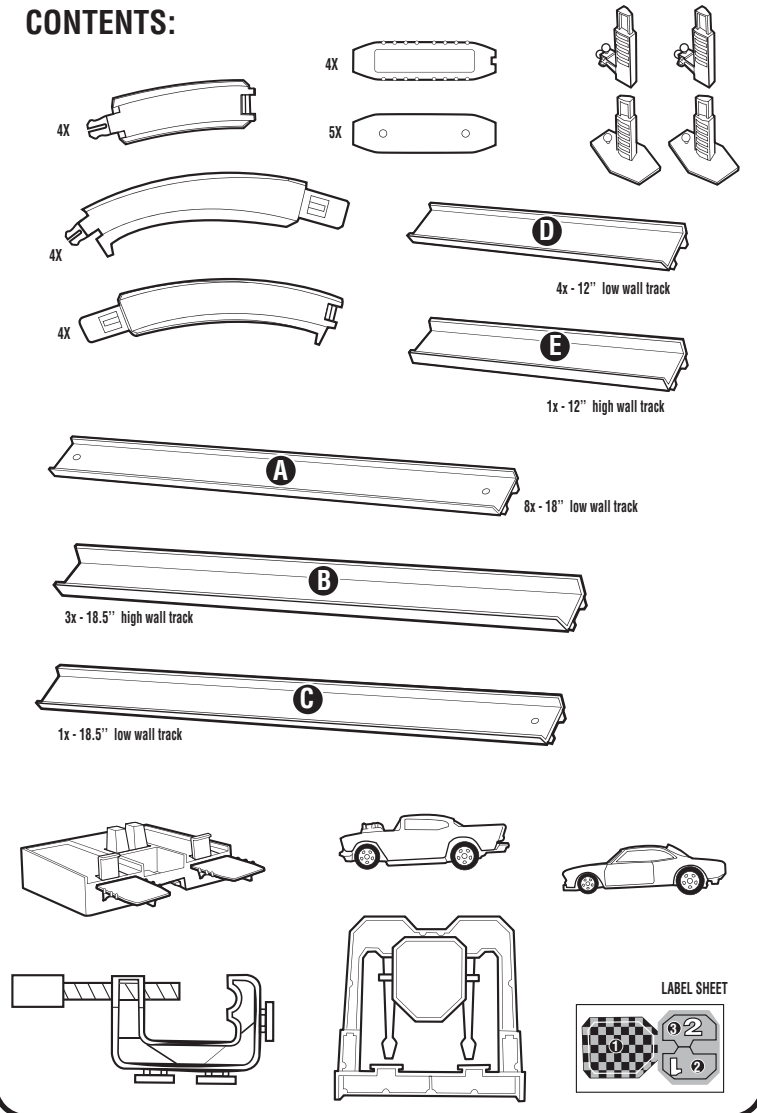


J6654-0920

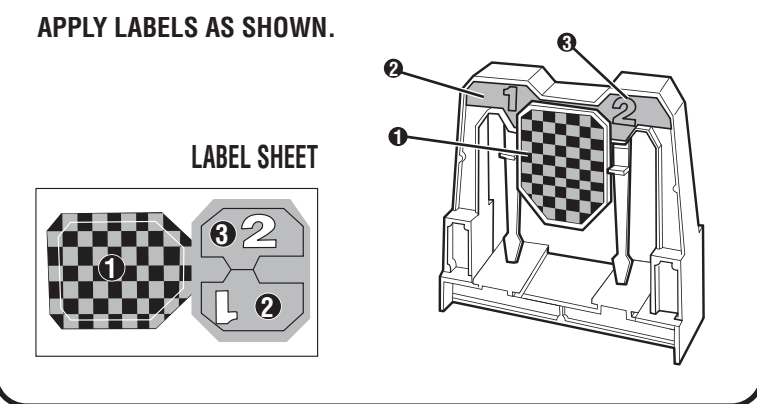
## INSTRUCTIONS

Please keep these instructions for future reference as they contain important information.

### CONTENTS:



### APPLY LABELS AS SHOWN.



© 2006 Mattel, Inc. 333 Continental Blvd., El Segundo, CA 90245 U.S.A. All Rights Reserved. Consumer Relations 1-800-524-8697. service.mattel.com Mattel U.K. Ltd., Yanwall Business Park, Maidenhead SL6 4UB, Helpline 01628500303 Mattel Australia Pty Ltd., Richmond, Victoria, 3121. Consumer Advisory Service - 1300 135 312. Mattel East Asia Ltd., Room 1106, South Tower, World Finance Centre, Harbour City, Tsimshatsui, HK, China. Diimport & Diedarkan Oleh: Mattel SEA Ptd Ltd.(993532-P) Lot 13.5, Menara Lien Hoe, Persiaran Tropicana Golf Country Resort, 47410 PJ. Tel:03-78803817, Fax:03-78803867.

## ASSEMBLY

