

5+

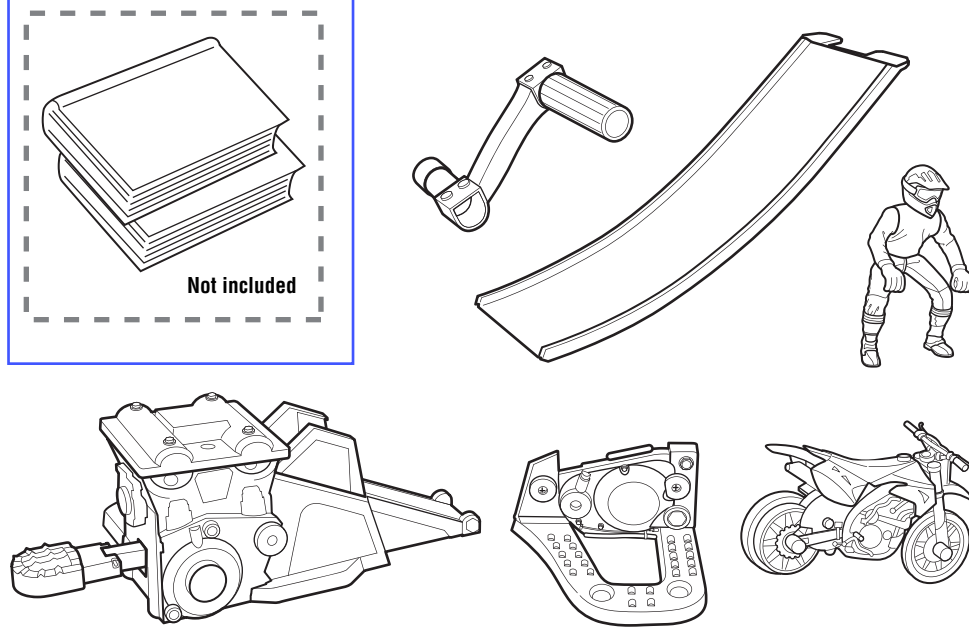


J7131-0920  
ASST. J7130

# INSTRUCTIONS

Keep these instructions for future reference as they contain important information.

## CONTENTS:



© 2006 Mattel, Inc. All Rights Reserved. Tous droits réservés.

- Mattel, Inc., 333 Continental Blvd., El Segundo, CA 90245 U.S.A. Consumer Relations 1-800-524-8697.
- Mattel Canada Inc., Mississauga, Ontario L5R 3W2. You may call us free at 1-800-524-8697. service.mattel.com
- Mattel U.K. Ltd., Vanwall Business Park, Maidenhead SL6 4UB, Helpline 01628500303
- Mattel Australia Pty., Ltd., Richmond, Victoria. 3121. Consumer Advisory Service - 1300 135 312.
- Mattel East Asia Ltd., Room 1106, South Tower, World Finance Centre, Harbour City, Tsimshatsui, HK, China.
- Diimport & Diedarkan Oleh: Mattel SEA Ptd Ltd.(993532-P) Lot 13.5, 13th Floor, Menara Lien Hoe, Persiaran Tropicana Golf Country Resort, 47410 PJ. Tel:03-78803817, Fax:03-78803867.

## INSTRUCTION SHEET SPECIFICATIONS

Toy:	HW POWER REV MOTO
Toy No.:	J7130
Part No.:	0920
Trim Size:	A4
Folded Size:	A5
Type of Fold:	4 PANEL
# colors:	1
Colors:	Black
Paper Stock:	White Offset
Paper Weight:	70 lb.
EDM No.:	005

