



5+



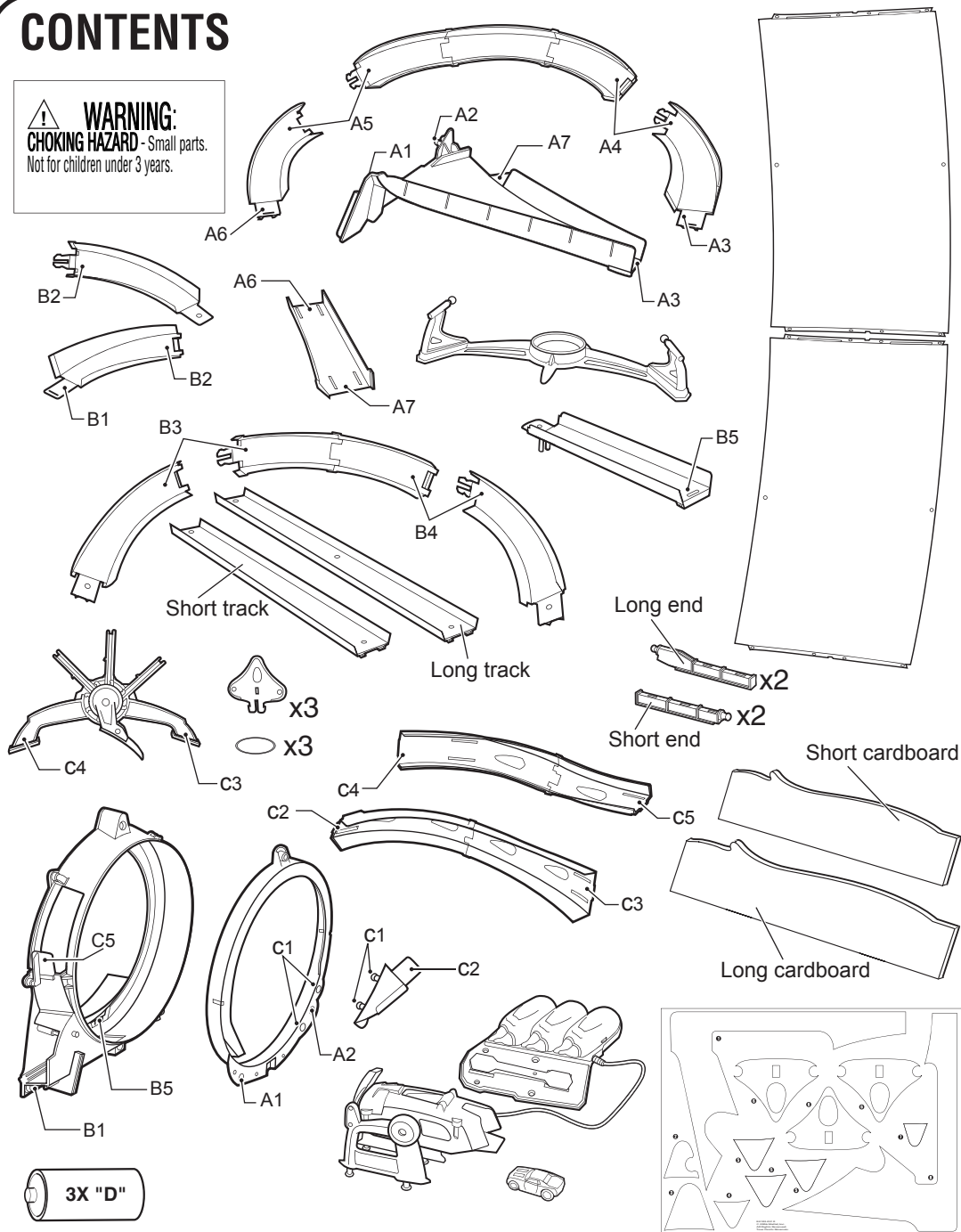
K4103-0920

INSTRUCTIONS

Please remove everything from the package and compare to the contents shown here. Please keep these instructions for future reference as they contain important information. ADULT ASSEMBLY REQUIRED.

CONTENTS

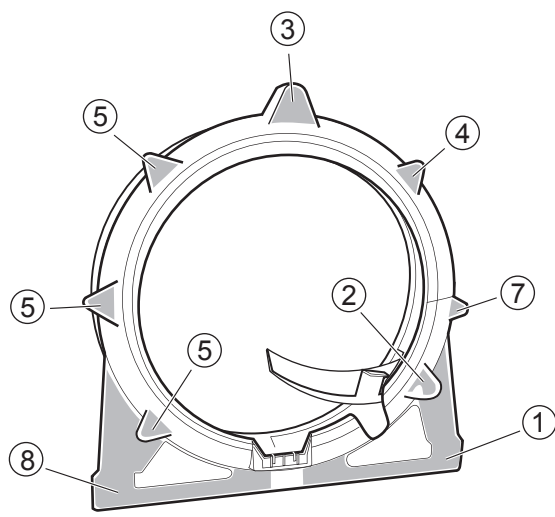
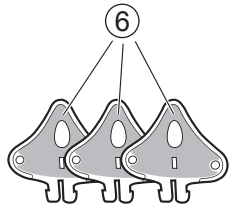
WARNING:
CHOKING HAZARD - Small parts.
Not for children under 3 years.



Requires 3 "D" (LR20) alkaline batteries (not included).

APPLY LABELS

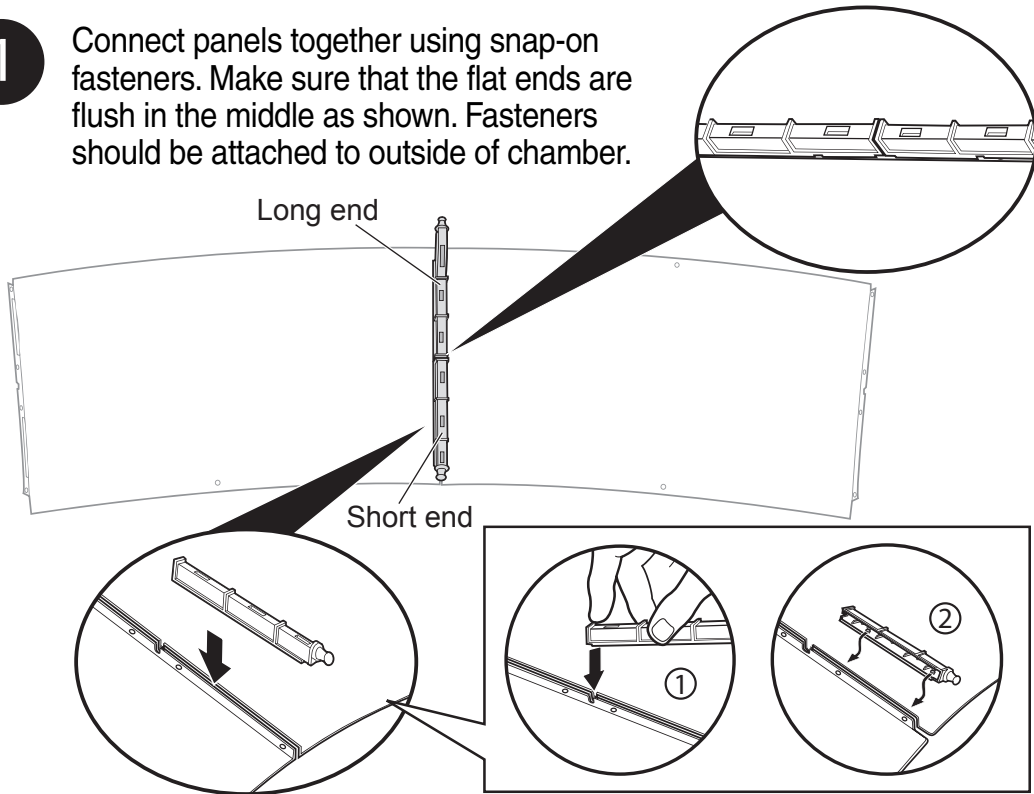
Apply labels as shown.



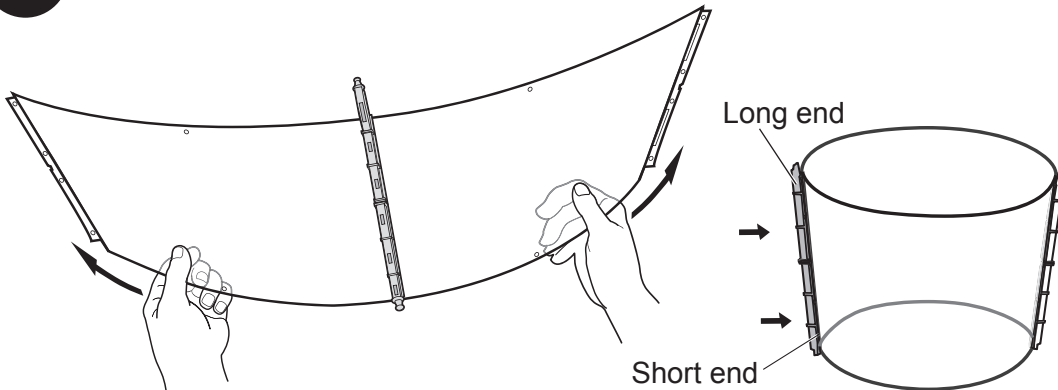
HELPFUL HINT: Apply labels before assembly.

ASSEMBLY

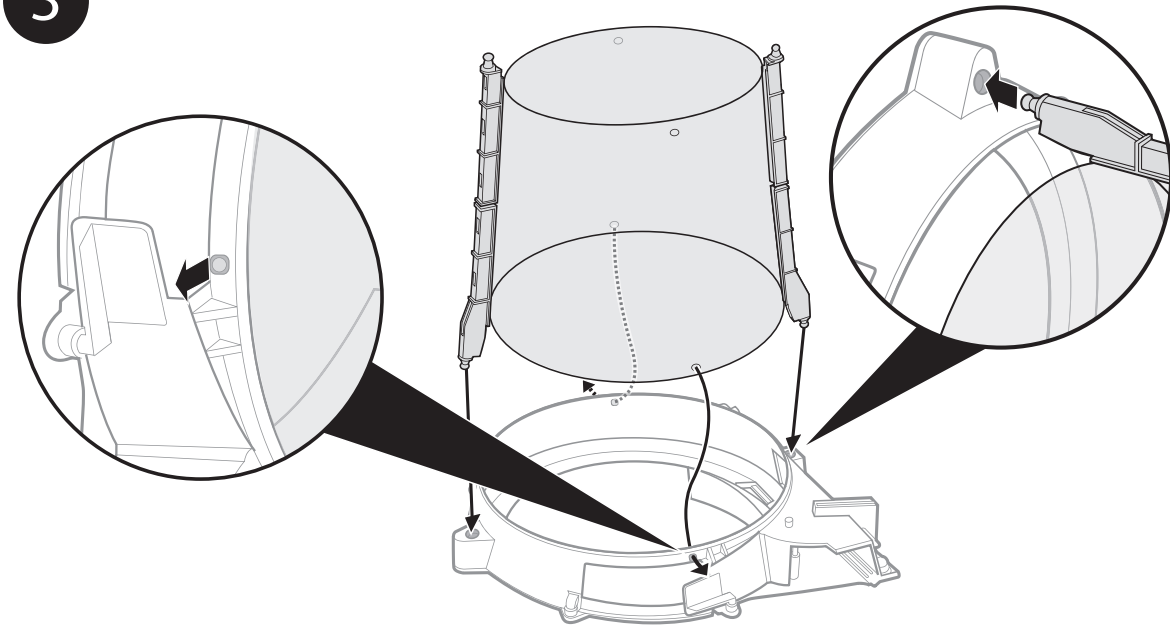
1 Connect panels together using snap-on fasteners. Make sure that the flat ends are flush in the middle as shown. Fasteners should be attached to outside of chamber.



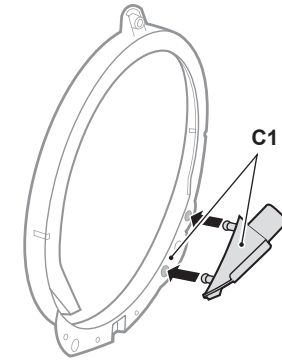
2 Fold chamber and insert other snap-on fasteners on other side as shown.



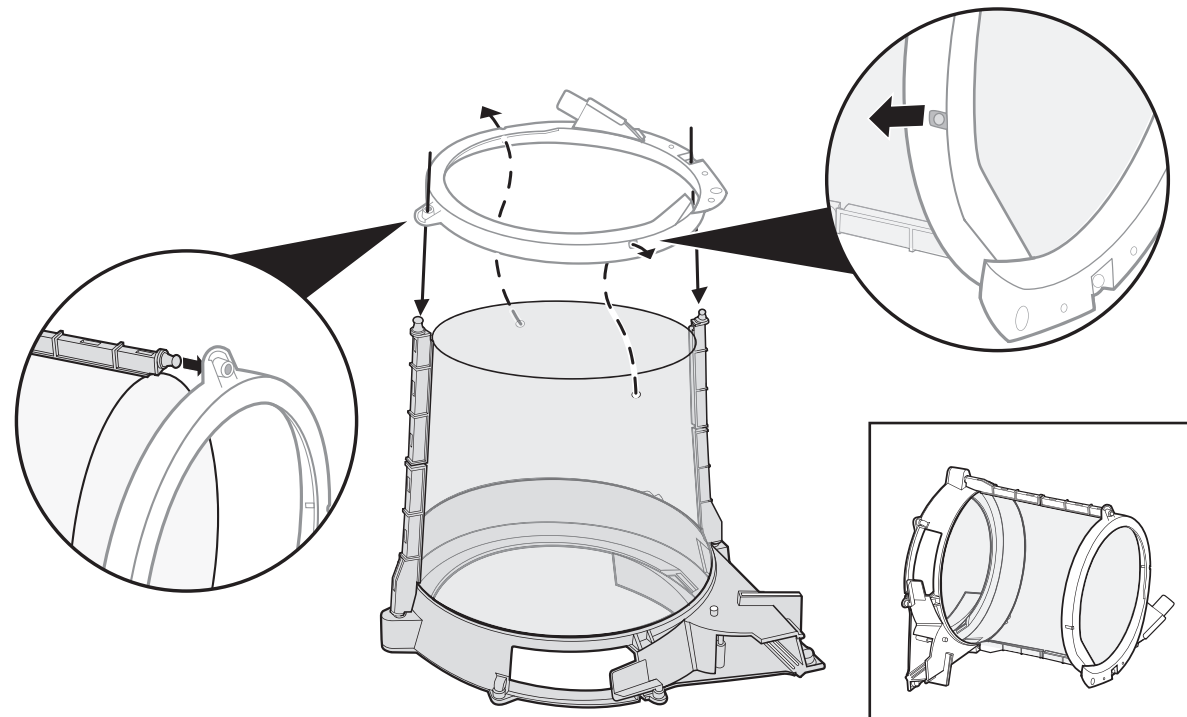
3 Insert chamber onto base as shown.



4 Connect small track to chamber ring as shown.

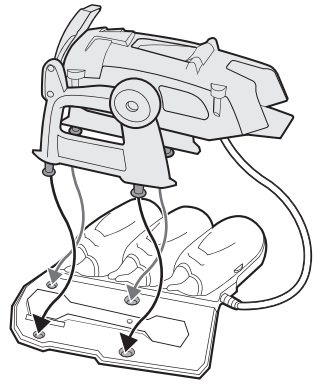


5 Be sure to align the small chamber ring to chamber in correct orientation and attach as shown.

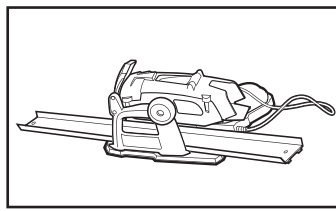
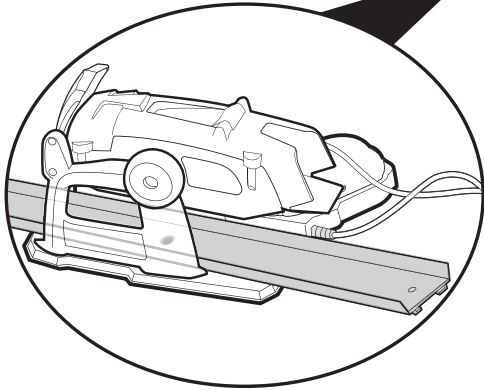
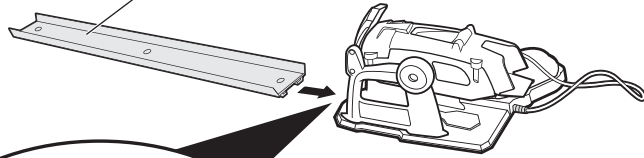


6

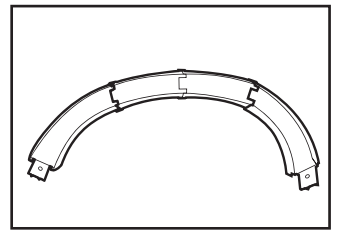
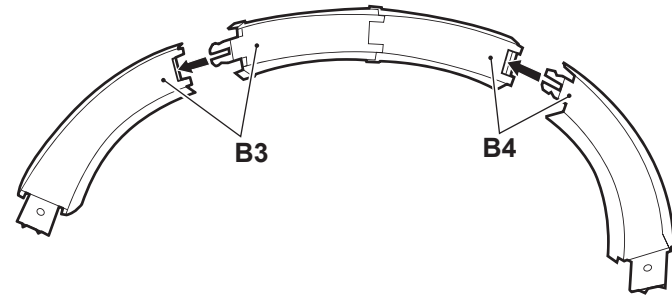
Assemble the charger. Slide track through the charger as shown. Make sure to align hole in the middle of the track with the center of the charger.



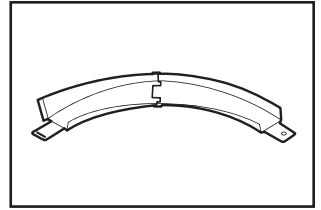
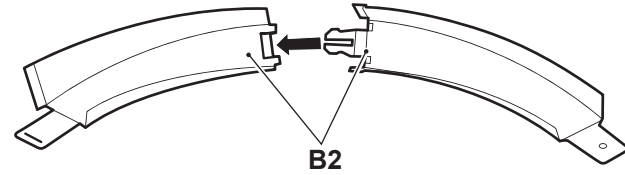
Long track



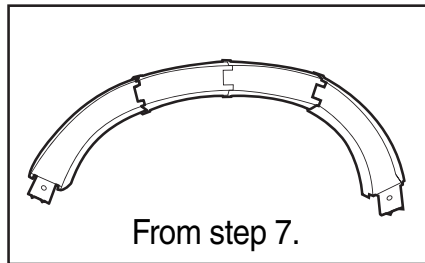
7



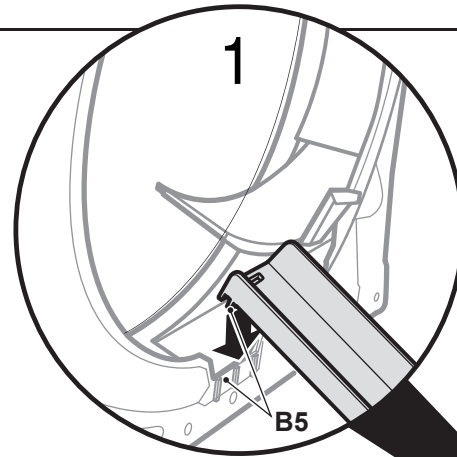
8



9

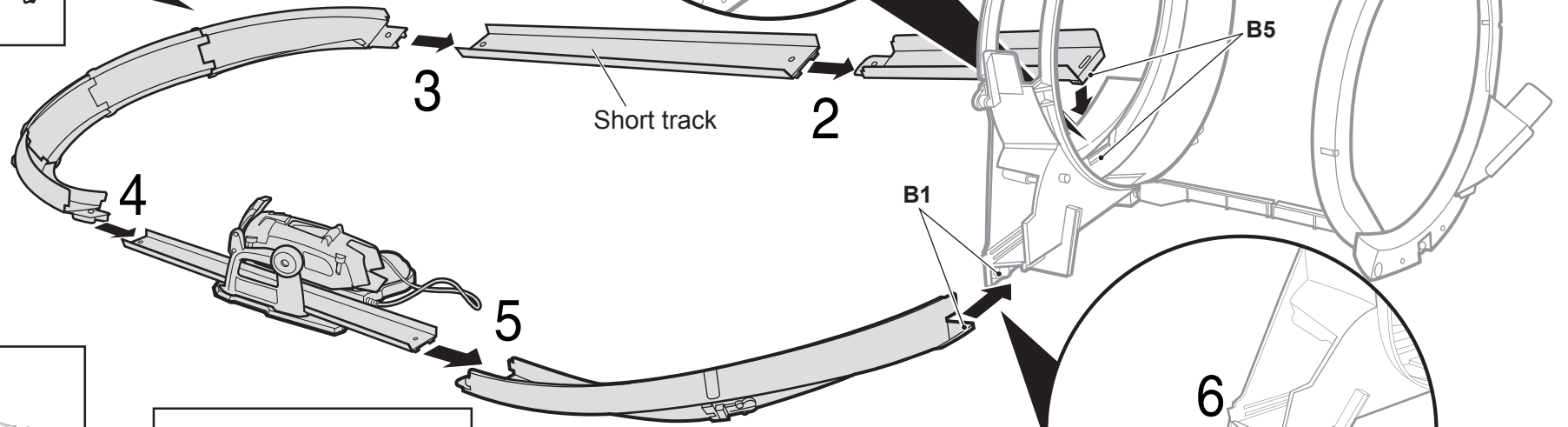


From step 7.



1

B5



Short track

2

3

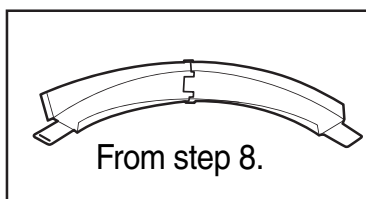
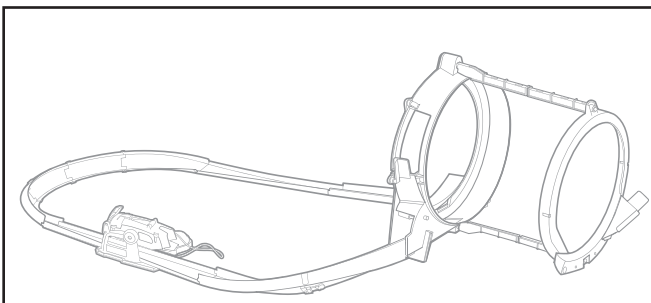
4

5

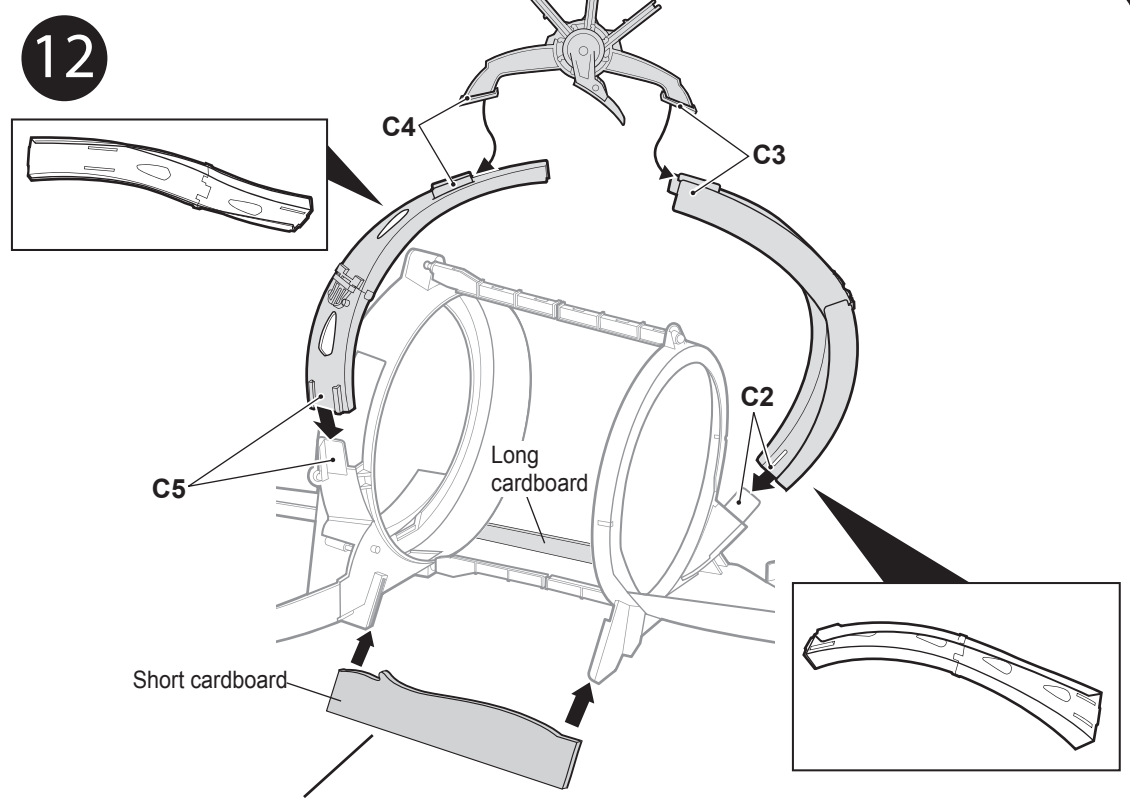
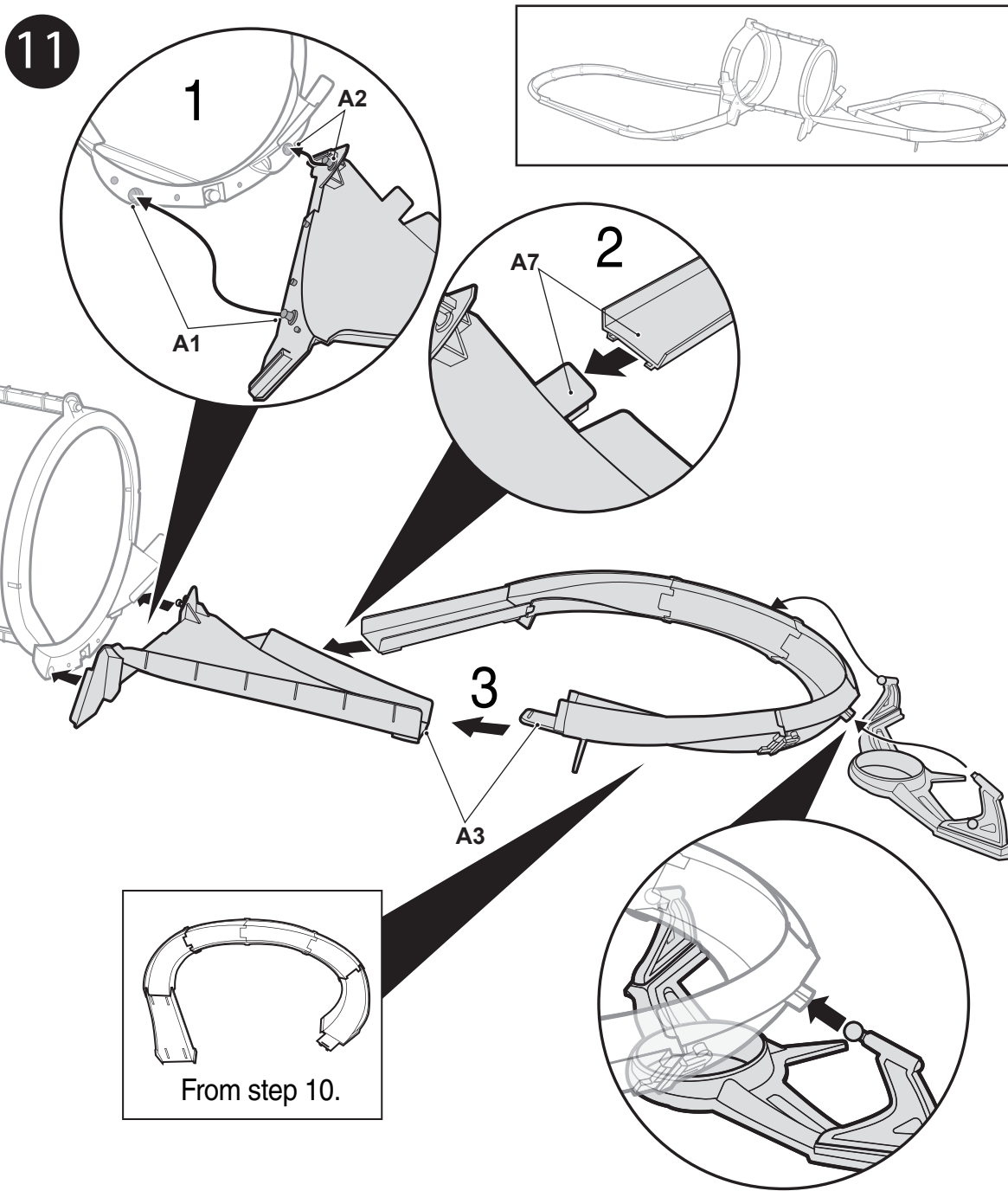
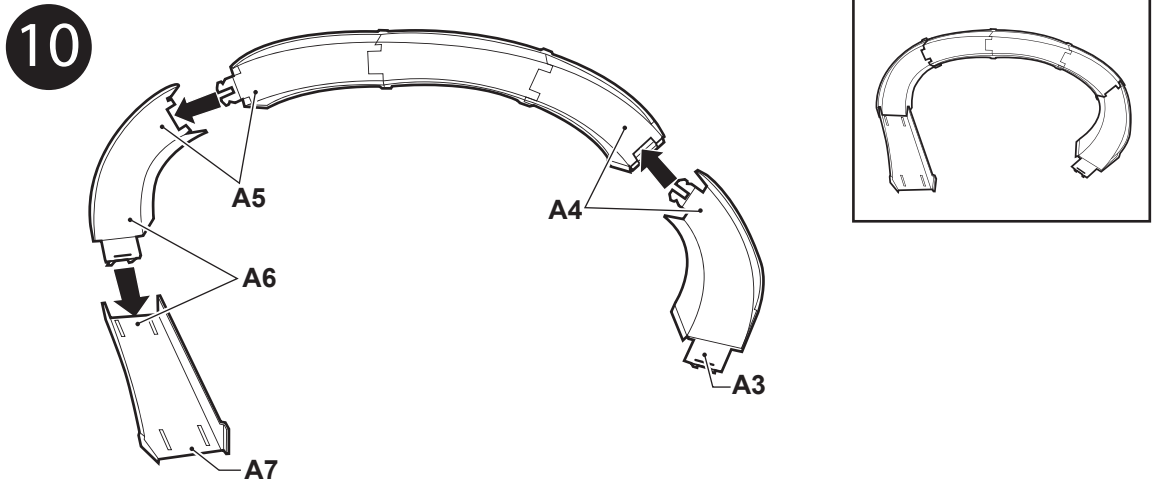
B1

B5

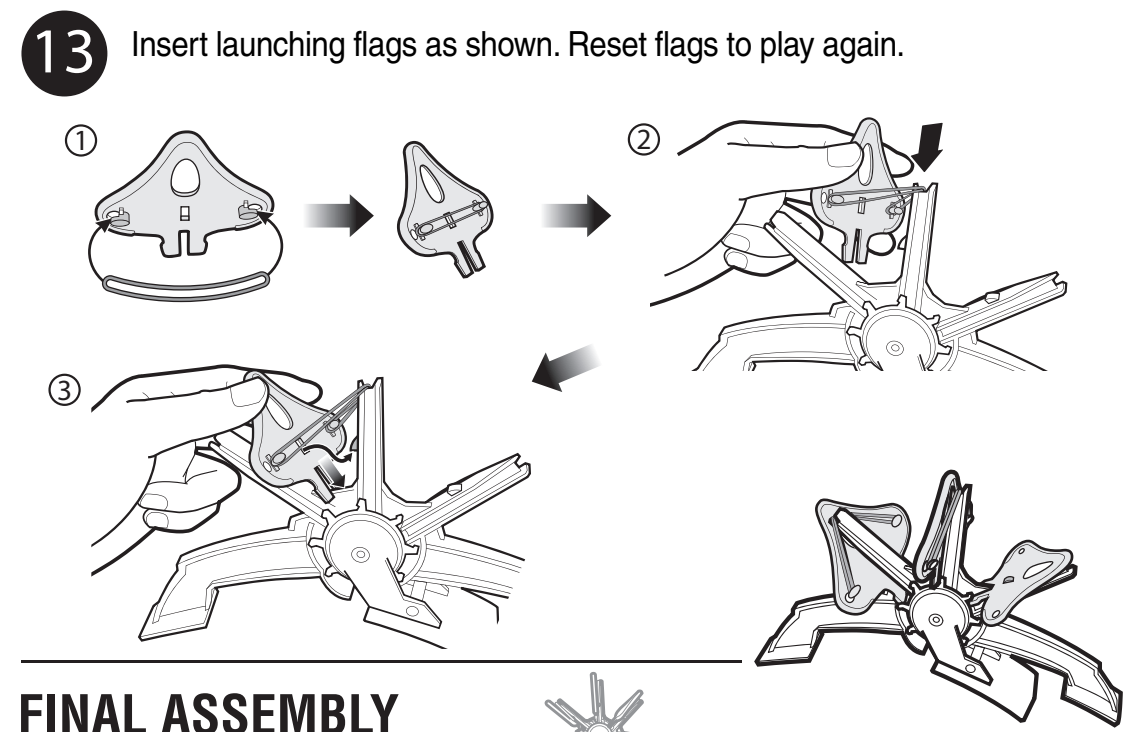
6



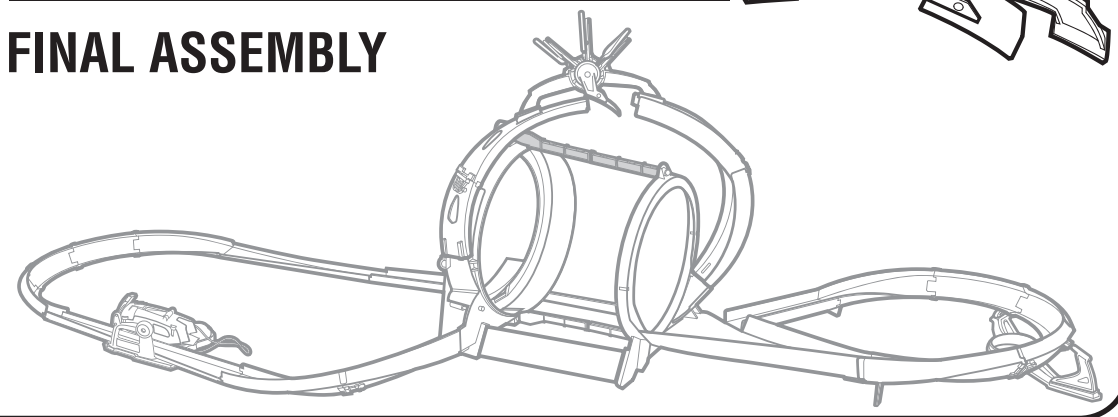
From step 8.



Slide the cardboard parts into each side by lifting up the chamber as shown.

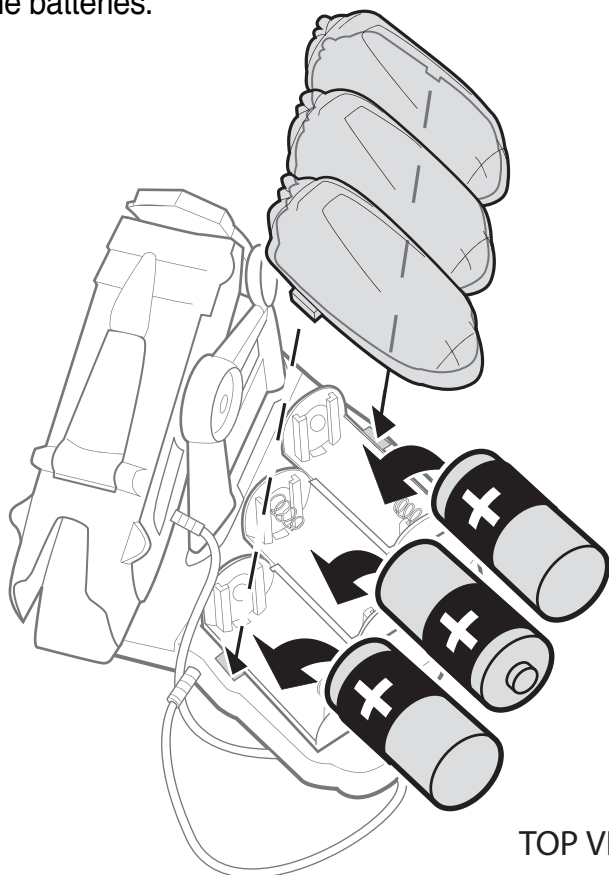


FINAL ASSEMBLY



INSTALL BATTERIES

Open the battery cover. Insert 3 "D" (LR20) alkaline batteries (not included) in the orientation shown. Close the battery cover. For optimal performance use only alkaline batteries.



TOP VIEW

⚠ CAUTION:

- Vehicle contains a rechargeable cell. If fluid leaks, avoid contact with eyes and discard vehicle.
- Do not recharge the vehicle if it feels hot. Allow it to cool before recharging.
- Only use the charger supplied with this toy. Use of an alternate charging source will damage your rechargeable vehicle.
- Do not attempt to hold wheels while charging. Wheels must spin during charging period.
- Your car will be fully charged after 10 seconds. Additional charging will not improve performance. Overcharging may reduce the life of your rechargeable vehicle.
- Do not run vehicles on shag carpet. Use only on a hard floor or on track.
- To prevent entanglement, keep hair away from wheels.

Vehicles are not recommended for use on loose dirt or wet surfaces.

Do not immerse in water.

If the vehicle and/or charger get wet, discontinue use until they are completely dry. Thoroughly wipe off all moisture and allow them to air-dry completely before use.

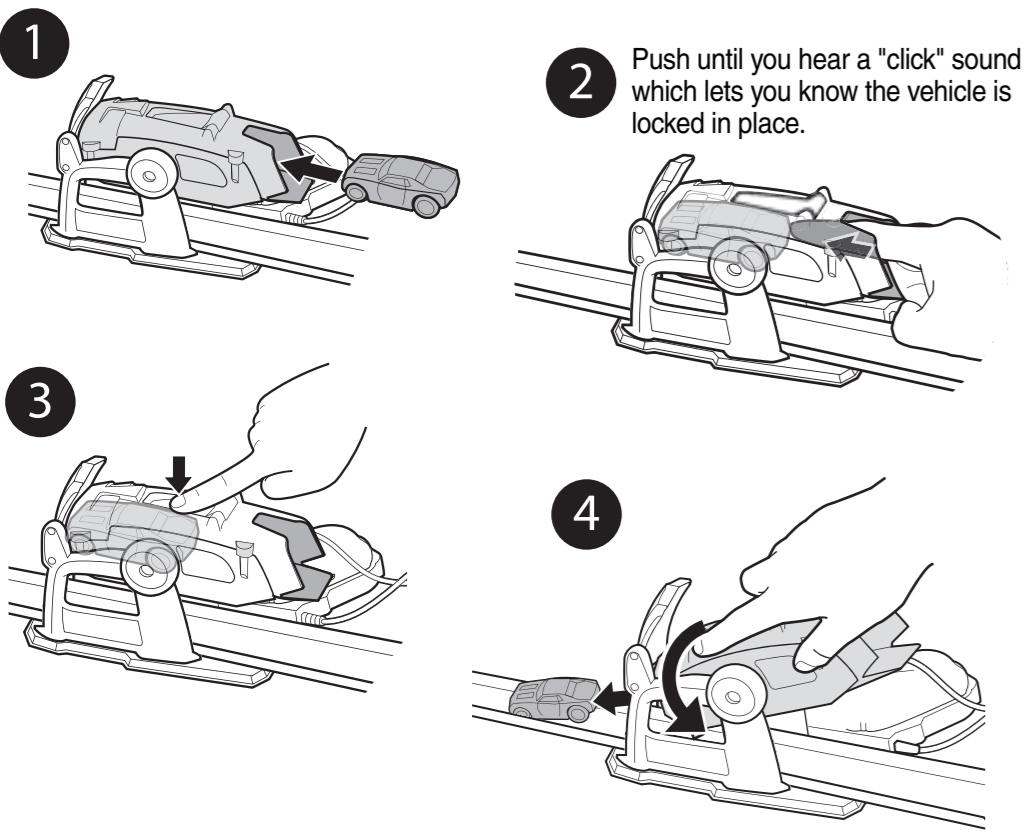
Only use projectiles supplied with this toy. Do not fire at people or animals or at point blank range.



Protect the environment by not disposing of this product with household waste [2002/96/EC]. Check your local authority for recycling advice and facilities.

CHARGE/RE-CHARGE

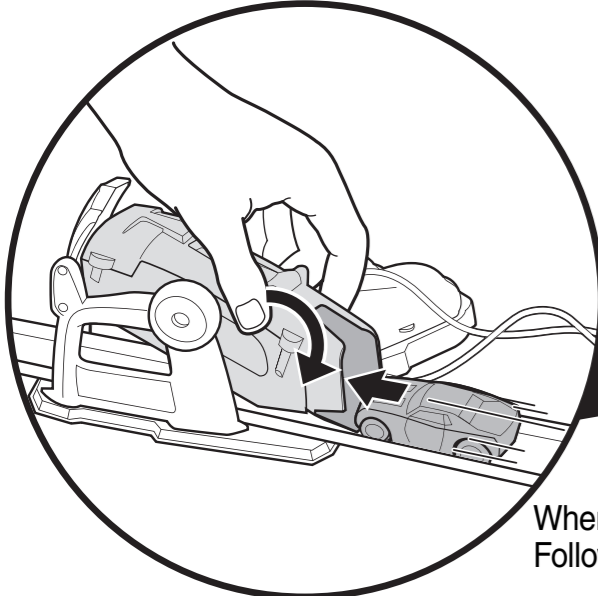
Charge your vehicle.



To charge the vehicle, press and hold it down on the charger for approximately 10 seconds.

During charging, the vehicle may cause radio or television interference. If so, move the vehicle away from the item being interfered with.

After several charges, the vehicle performance may begin to decrease. If this occurs, please install fresh batteries in the charger.

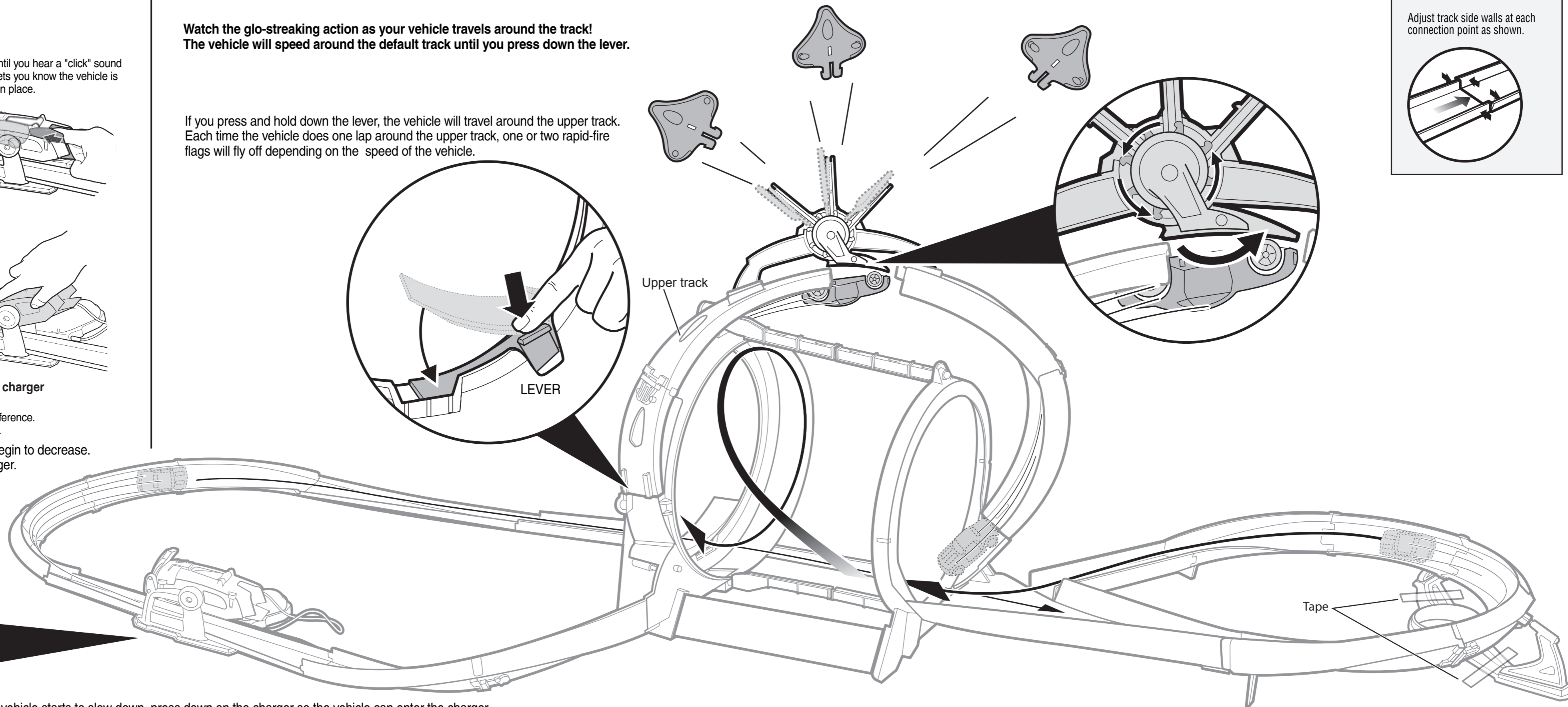
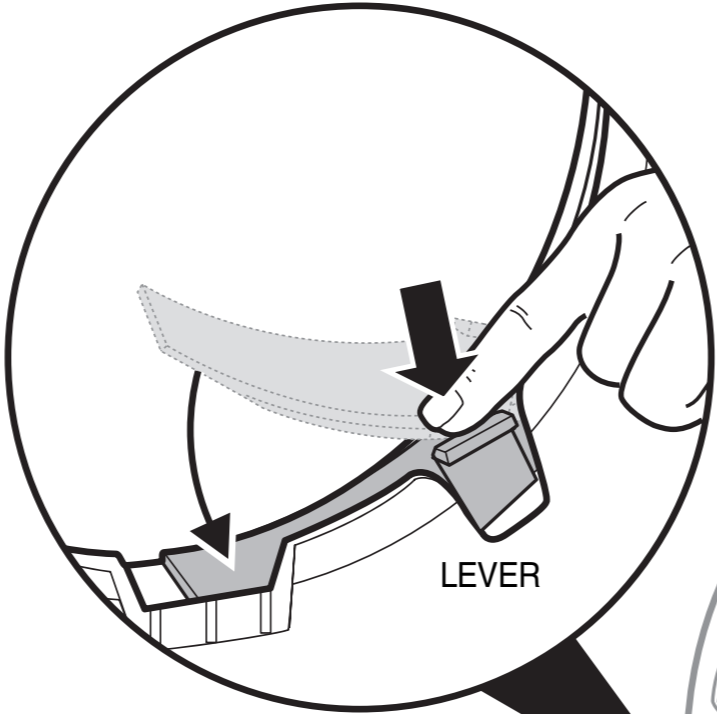


When the vehicle starts to slow down, press down on the charger so the vehicle can enter the charger. Follow the instructions on recharging your vehicle to continue play.

TO PLAY

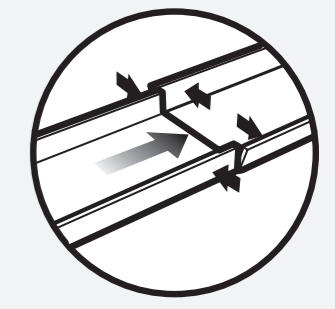
Watch the glo-streaking action as your vehicle travels around the track!
The vehicle will speed around the default track until you press down the lever.

If you press and hold down the lever, the vehicle will travel around the upper track. Each time the vehicle does one lap around the upper track, one or two rapid-fire flags will fly off depending on the speed of the vehicle.



OPERATING TIPS

Adjust track side walls at each connection point as shown.



Designed to work with Hot Wheels® Turbo Glo™ vehicles only.

TO STABILIZE SET: On carpet, use books. On smooth floor, tape base to surface.