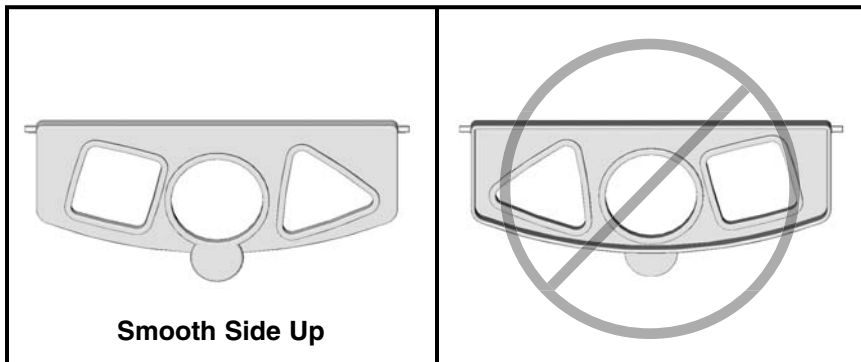




K6670

Assembly



- Position the shape sorter with the smooth outer edge facing up.
- At an angle, fit a peg on one side of the shape sorter into the hole in the base.
- While bending the shape sorter slightly, fit the other peg into the other hole in the base.

Fisher-Price, Inc., a subsidiary of Mattel, Inc., East Aurora, New York 14052 U.S.A.
©2007 Mattel, Inc. All Rights Reserved. © and ™ designate U.S. trademarks of Mattel, Inc.