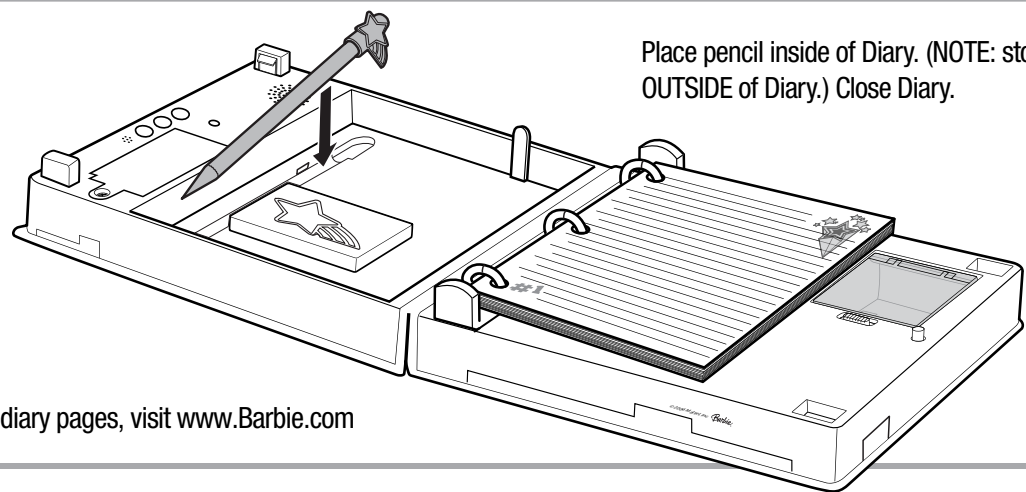
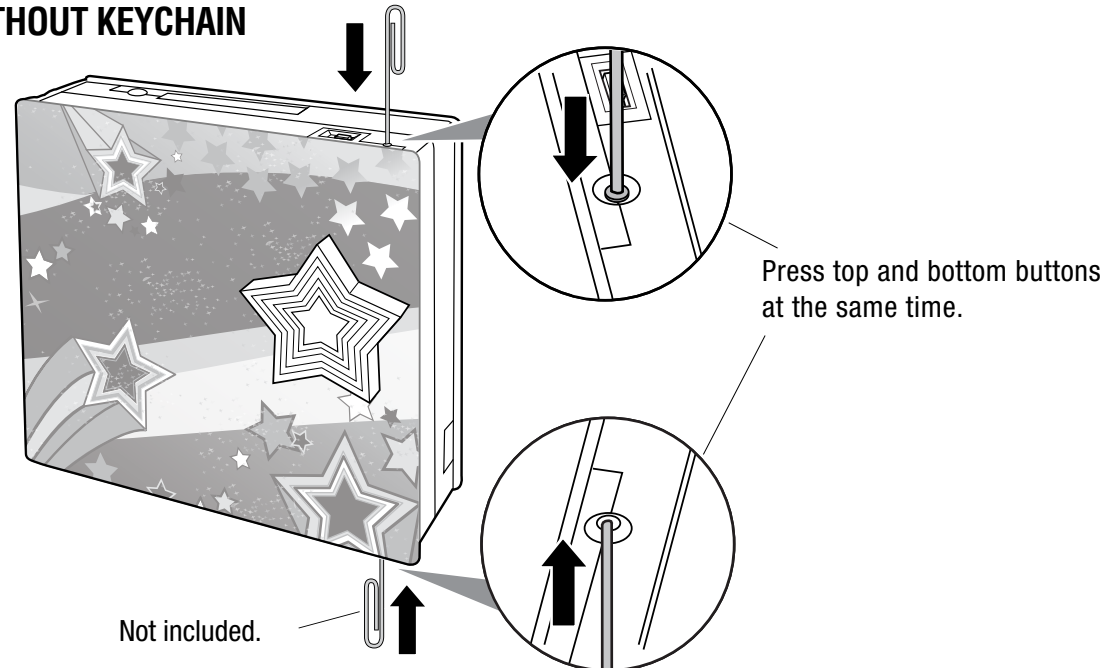


STORAGE



For additional diary pages, visit www.Barbie.com

OPEN DIARY WITHOUT KEYCHAIN



Protect the environment by not disposing of this product with household waste (2002/96/EC). Check your local authority for recycling advice and facilities.

BATTERY SAFETY INFORMATION

- In exceptional circumstances batteries may leak fluids that can cause a chemical burn injury or ruin your product. To avoid battery leakage:
- Non-rechargeable batteries are not to be recharged.
 - Rechargeable batteries are to be removed from the product before being charged (if designed to be removable).
 - Rechargeable batteries are only to be charged under adult supervision (if designed to be removable).
 - Do not mix alkaline, standard (carbon-zinc), or rechargeable (nickel-cadmium) batteries.
 - Do not mix old and new batteries.
 - Only batteries of the same or equivalent type as recommended are to be used.
 - Batteries are to be inserted with the correct polarity.
 - Exhausted batteries are to be removed from the product.
 - The supply terminals are not to be short-circuited.
 - Dispose of battery(ies) safely.
 - Do not dispose of this product in a fire. The batteries inside may explode or leak.

CONSUMER INFORMATION

Need Assistance? Visit service.mattel.com or call 1-800-524-8697 (US and Canada only). M-F 9AM - 7PM & SAT 11AM - 5PM Eastern. SERVICE.MATTEL.COM

Mattel Canada Inc., Mississauga, Ontario L5R 3W2. You may call us free at 1-800-524-8697.
 Mattel U.K. Ltd., Vauxhall Business Park, Brierleybottom, Solihull, Birmingham B36 8UG, Helpline: 01626500003
 Mattel Australia Pty. Ltd., Richmond, Victoria, 3121. Consumer Advisory Service - 1300 135 312.
 Mattel East Asia Ltd., Room 110B, South Tower, World Finance Centre, Harbour City, Tsimshatsui, HK, China.
 Cimporit S. Dindarlan Dieln Mattel SEA Pte Ltd (993532-P) Lot 13.5, 13th Floor, Menara Lien Hoe, Persiaran Tropicana Golf Country Resort, 47410 P.J.
 Tel: 03-78803817, Fax: 03-78803867.
 Mattel, Inc., 333 Continental Blvd., El Segundo, CA 90245 U.S.A. Consumer Affairs 1 (800) 524-8697.

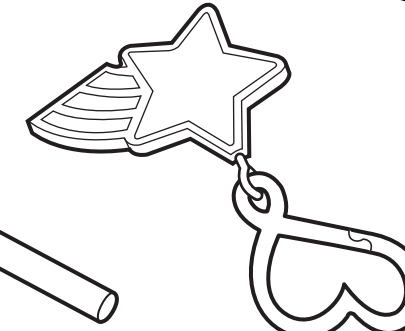
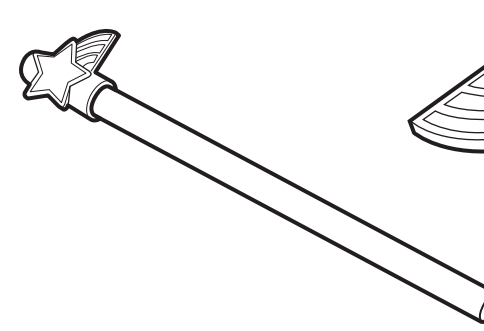
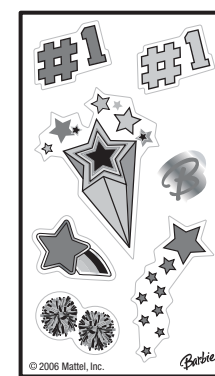
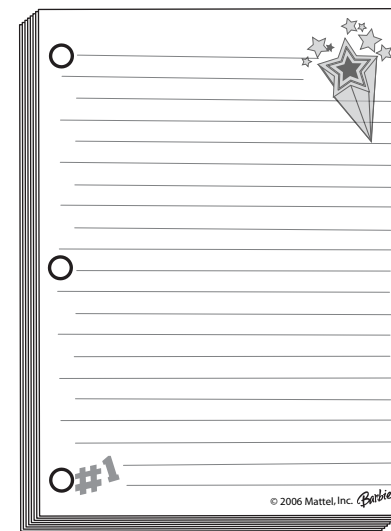


INSTRUCTIONS

K8404-0920

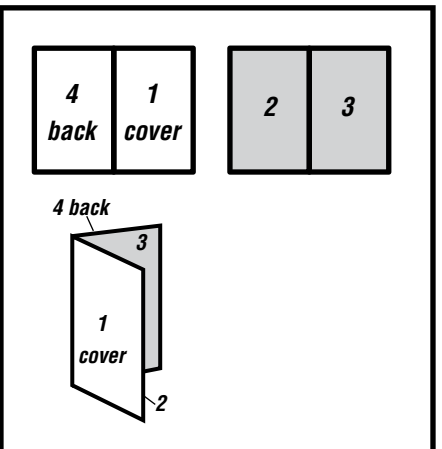


CONTENTS



INSTRUCTION SHEET SPECIFICATIONS

Toy No.:	K8404
Part No.:	0920
Trim Size:	17" W x 11" H
Folded Size:	8.5" W x 11" H
Type of Fold:	2 panel
# colors:	One
Colors:	Black
Paper Stock:	White Offset
Paper Weight:	70 lb.
EDM No.:	



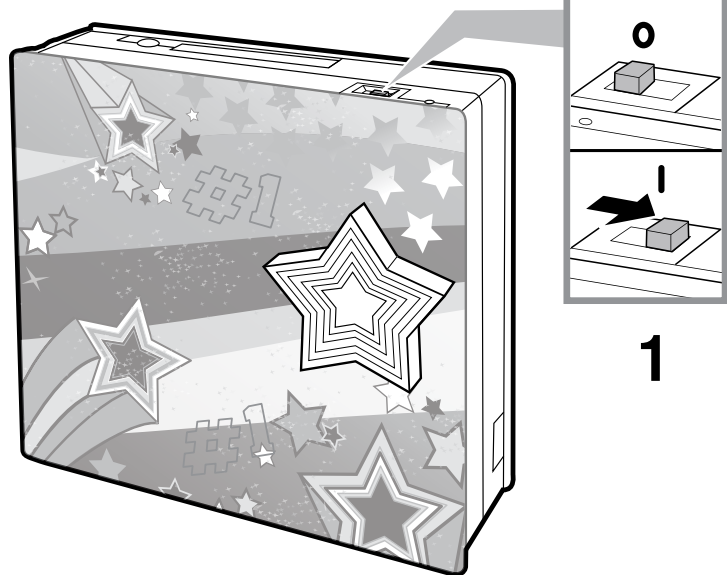
WARNING:
 CHOKING HAZARD - Small parts.
 Not for children under 3 years.

Requires 3 AAA (R03) batteries, not included. Please remove everything from the package and compare to the contents shown here. Keep these instructions for future reference as they contain important information. The key chain and diary contain magnets. Do not use around items that are sensitive to or affected by magnetic fields.

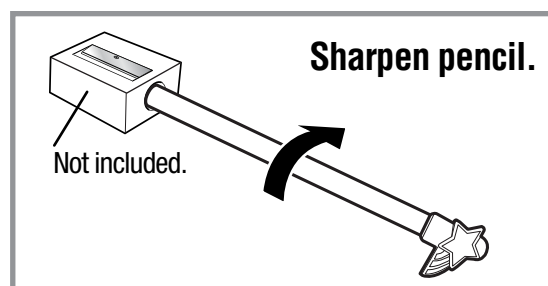
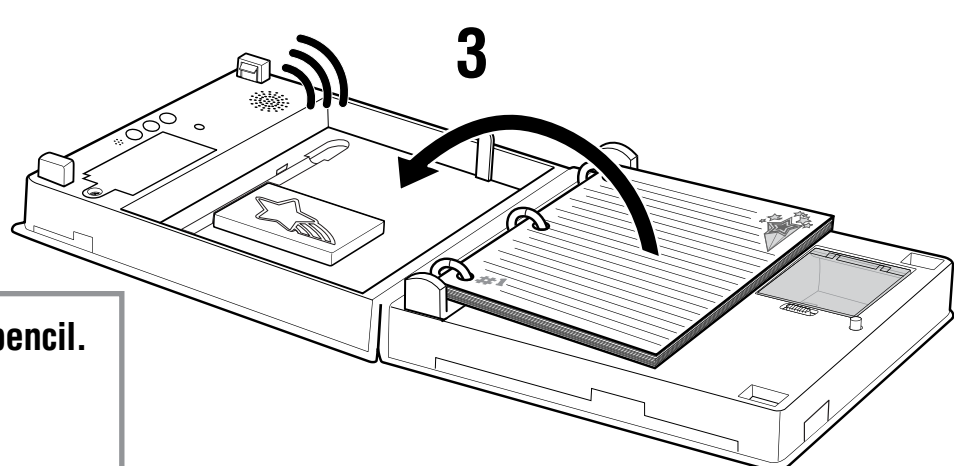
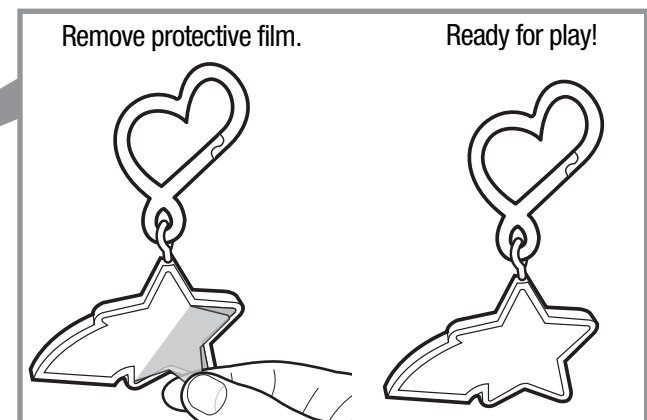
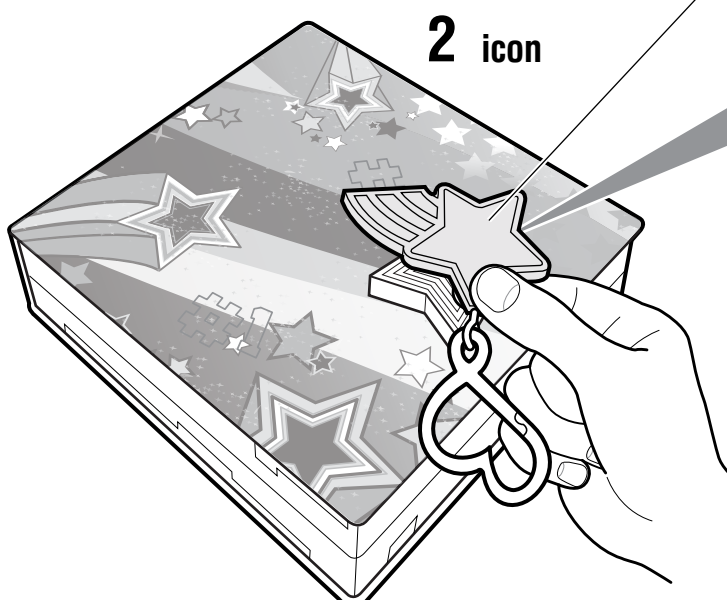
©2006 Mattel, Inc., El Segundo, CA 90245. All Rights Reserved. Tous droits réservés.

Lockable Diary!

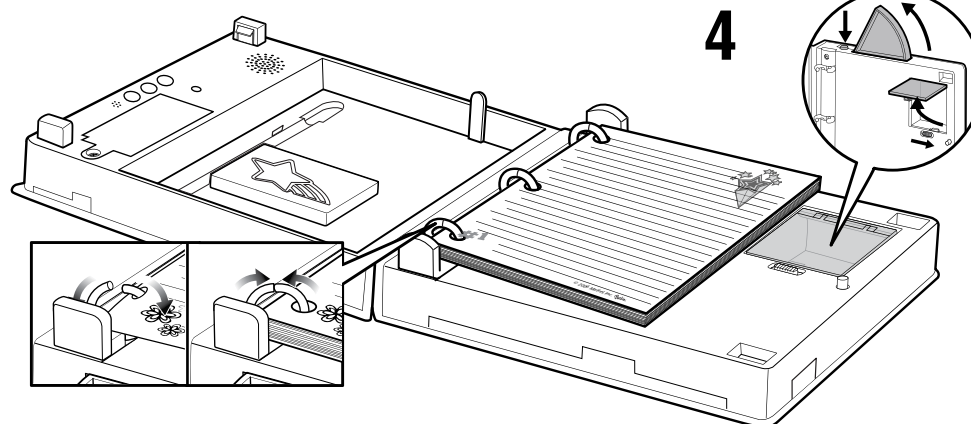
1. Slide "ON" (I) / "OFF" (O) switch to "ON" (I).
2. Touch icon on keychain to matching icon on Diary. Diary "magically" unlocks!
3. Open Diary.



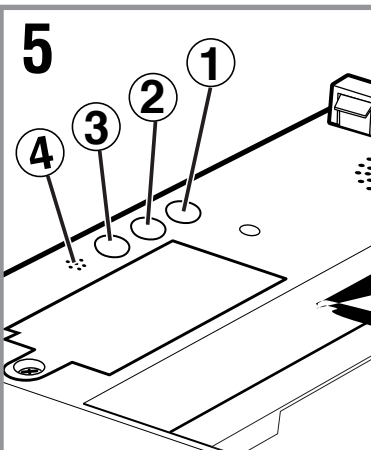
This product contains a magnet. Do not use around items that are sensitive to or affected by magnetic fields.



4



Once diary is unlocked, use buttons to open compartments.

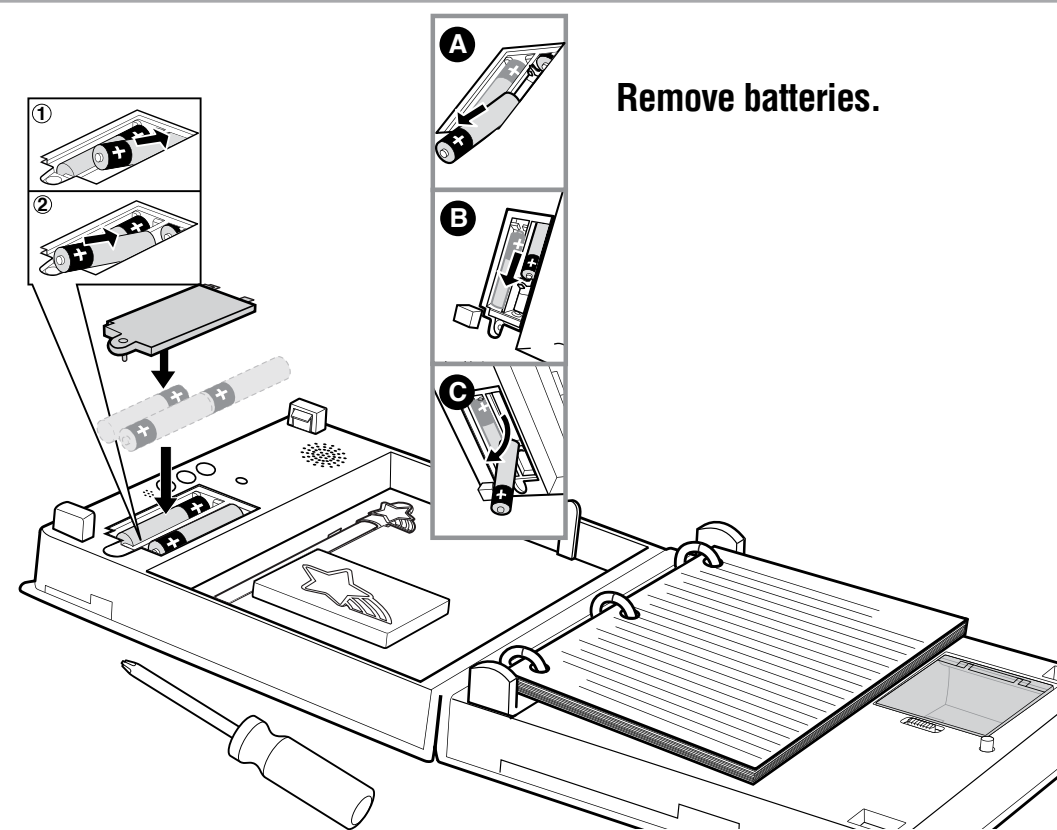


Sound / Record Feature

- Press and hold button (2). Light will come on.
 - Speak into microphone (4).
 - Press button (1) to hear recording.
 - Press button (3) to hear two pre-recorded tunes followed by your recording.
 - Repeat first step for a new recording.
- The last sound you play is what you will hear when the Diary is opened again.

BATTERY INSTALLATION

Toy requires 3 "AAA" (R03) batteries. Use a Phillips head screwdriver (not included) to open batterydoor. Remove and set aside. Insert 3 "AAA" (R03) batteries. Replace battery cover and screw closed. Replace with AAA alkaline batteries (LR03) for longest life and best performance. Replace batteries when sounds become garbled or faint. Dispose of batteries safely.



Remove batteries.