



Please keep this instruction sheet for future reference, as it contains important information.

Adult assembly is required.

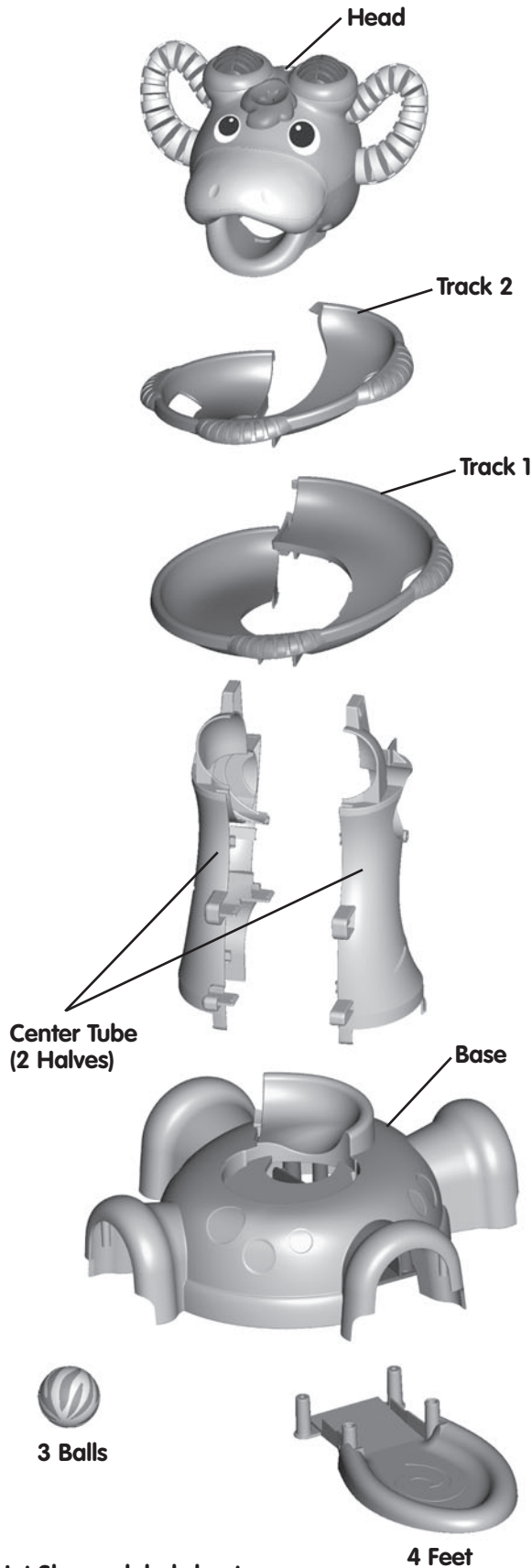
Requires three "AA" batteries for operation (included).

Tool required for assembly: Phillips screwdriver (not included).

Go Baby Go

Reward baby's physical accomplishments

Parts



Fasteners



#6 x 1 1/2" - 1



#6 x 3/4" - 16

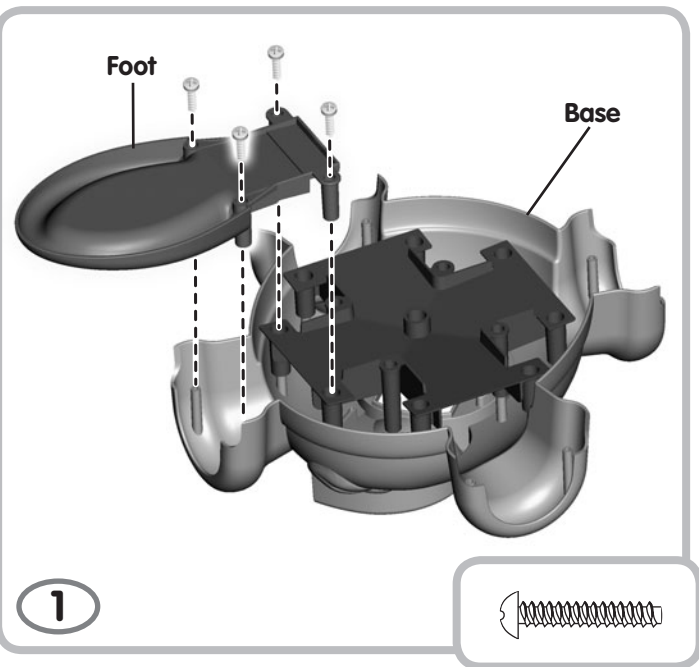
Screws Shown Actual Size

Note: Tighten and loosen all screws with a Phillips screwdriver. Do not over-tighten.

Assembly

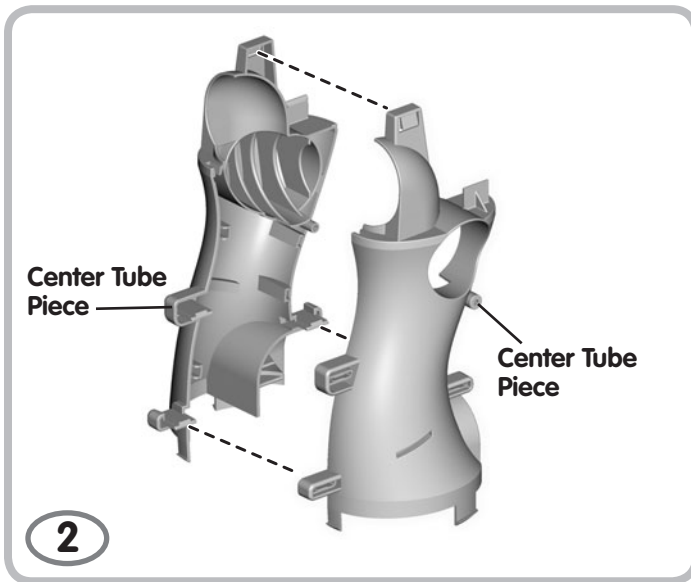
CAUTION

This product contains small parts. For assembly by an adult. Take extra care during unpacking and assembly.

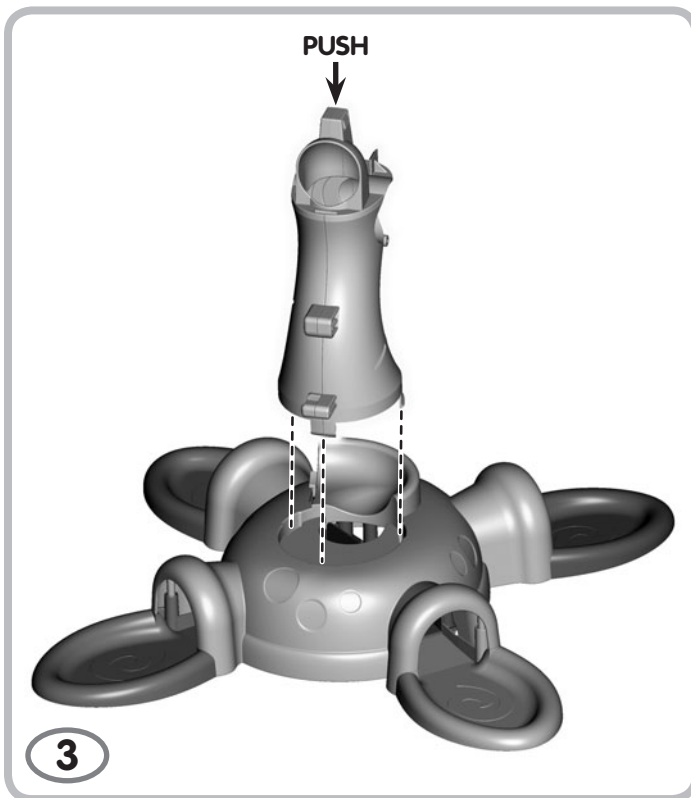


- Place the base upside down on a flat surface.
- Fit a foot into the grooved areas in the base.
- Insert four #6 x 3/4" screws into each foot and tighten.
- Turn the toy upright.

Assembly



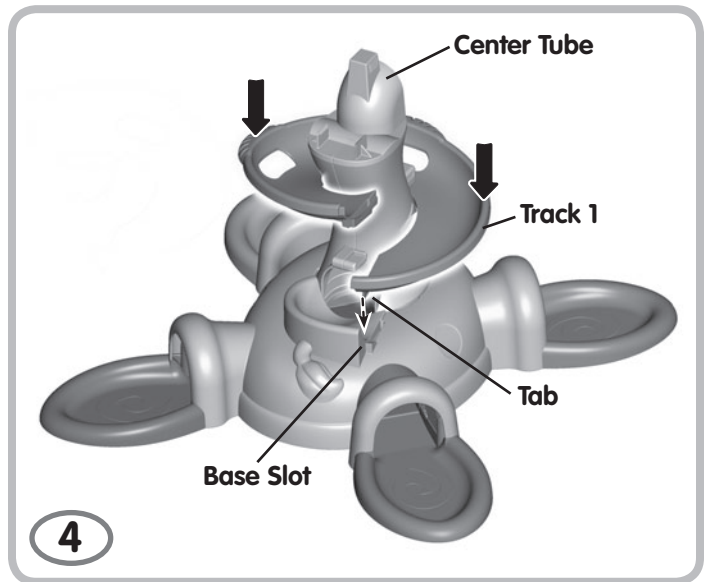
- Fit the center tube pieces together. Squeeze them to “snap” into place.



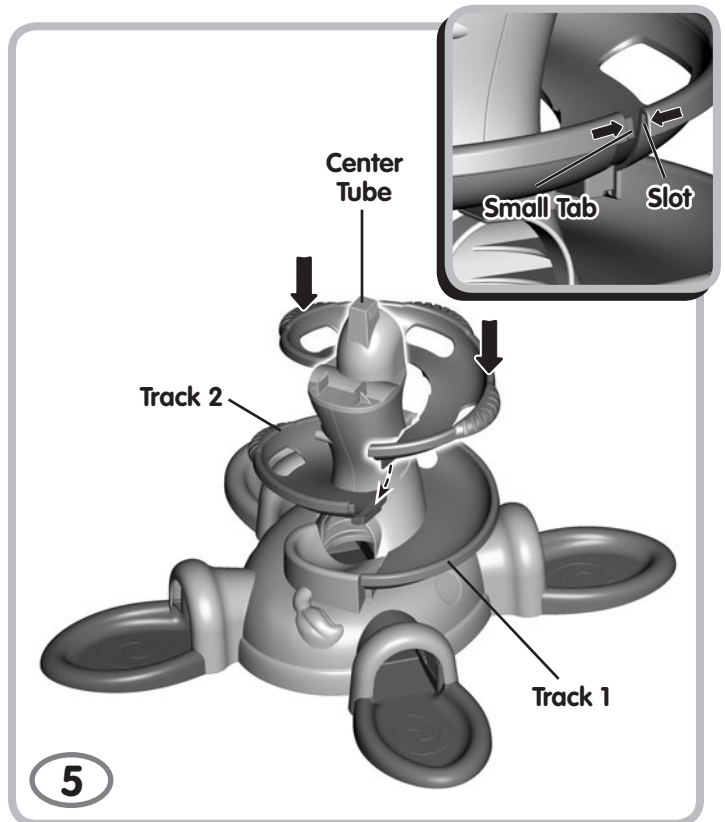
- Insert and “snap” the center tube into the slots in the top of the base.

Note: The center tube only fits in one way.

Assembly

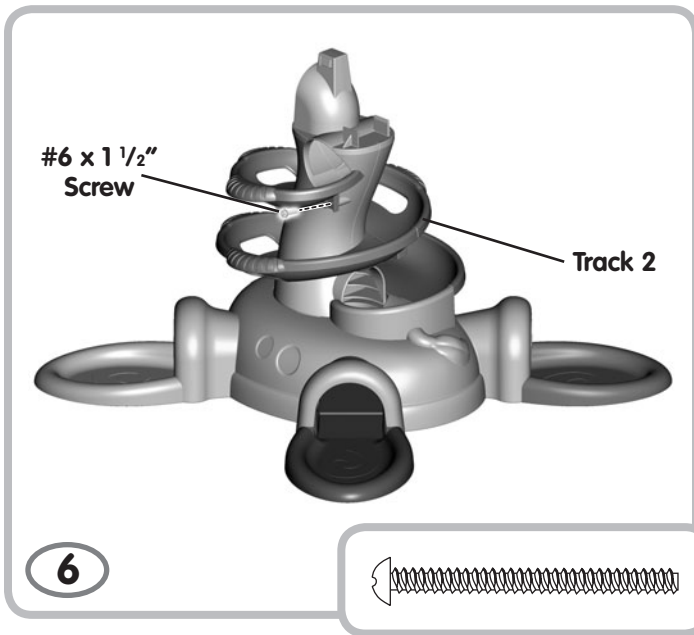


- Position track 1 with the grooved side up.
- Fit track 1 onto the center tube. Turn it clockwise until it reaches the base.
- Insert and “snap” the tab on the end of track 1 into the slot in the base.

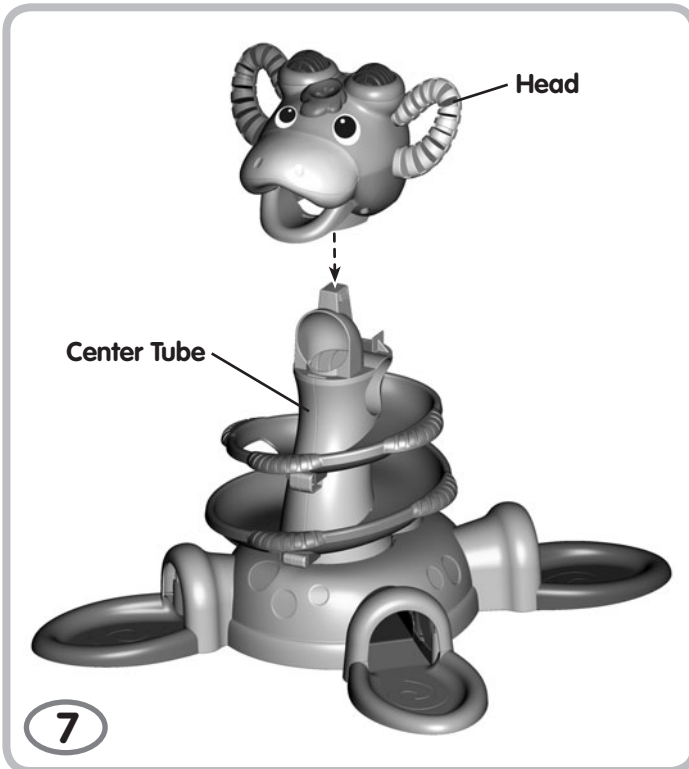


- Position track 2 with the grooved side up. Slide track 2 onto the center tube.
- Turn track 2 clockwise until it meets track 1. Insert and “snap” the tab on the end of track 2 into the slot in track 1. Be sure the small tab on the end of track 2 fits into the slot in track 1.

Assembly



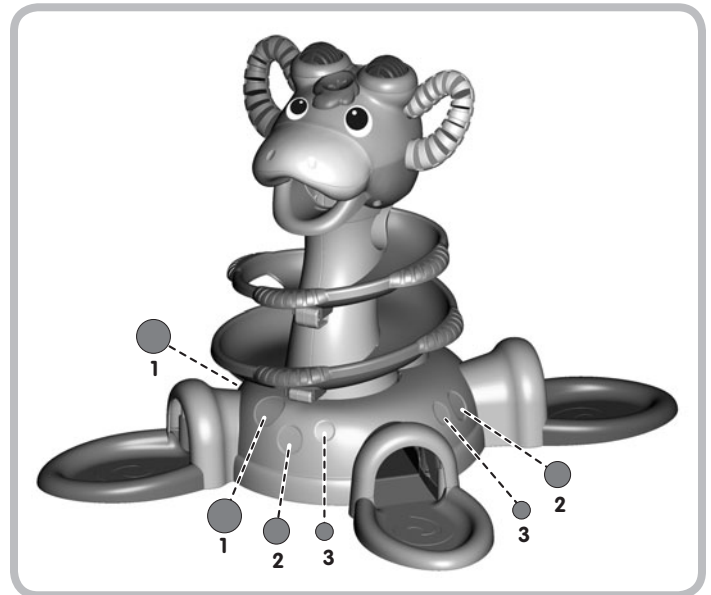
- Insert the #6 x 1 1/2" screw through the hole in track 2 and into the center tube. Tighten the screw.



- Fit the head onto the center tube, as shown.
- Press down on the head to "snap" it into place. Pull up on the head to be sure it is secure.

Decoration



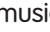
Proper label application will help to keep the labels looking their best!



- Wash your hands before applying the labels.
- Make sure the areas where the labels will be applied are clean and dry. Wipe this product with a clean, soft, dry cloth to remove any dust or oils.
- For best results, do not attempt to apply a label more than once.
- Apply the labels as shown in the illustrations above.

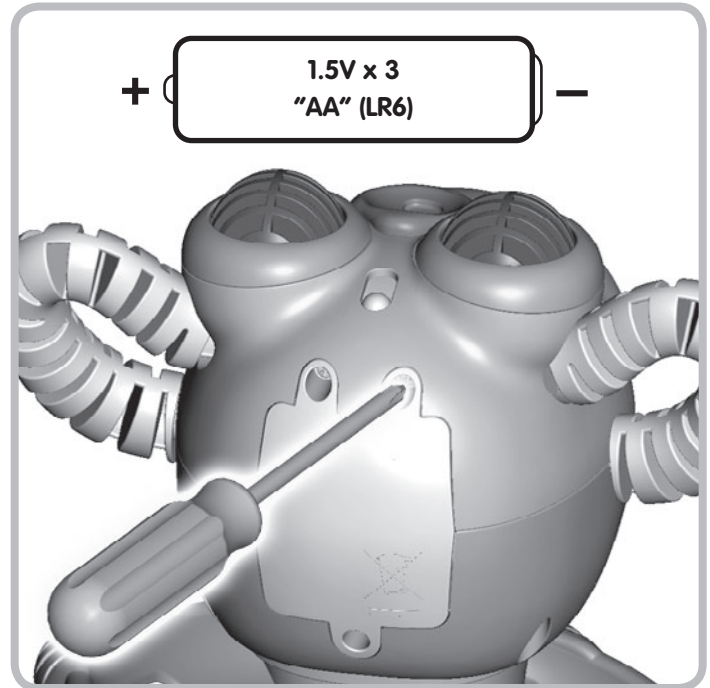
Lights and Sounds Fun!



- Locate the power/volume switch on the back of the head.
- Slide the volume switch to either on with high volume ; on with low volume  or off .
- Place a ball in the giraffe's mouth for fun sounds and music. Watch the ball spiral down!
- Press the button on the head for music and lights.

Battery Replacement

For best performance, we recommend replacing the batteries that came with this toy with three, new alkaline "AA" (LR6) batteries.



- Locate the battery compartment on the back of the giraffe's head.
 - Loosen the screws in the battery compartment door and remove the door. Remove the exhausted batteries from the battery compartment. Properly discard the exhausted batteries.
 - Insert three, "AA" (LR6) **alkaline** batteries.
- Hint:** We recommend using **alkaline** batteries for longer battery life.
- Replace the battery compartment door and tighten the screws.
 - When sounds or lights from this toy become faint or stop, it's time for an adult to change the batteries!



- Protect the environment by not disposing of this product with household waste (2002/96/EC). Check your local authority for recycling advice and facilities (Europe only).

Battery Safety Information

In exceptional circumstances, batteries may leak fluids that can cause a chemical burn injury or ruin your toy. To avoid battery leakage:

- Do not mix old and new batteries or batteries of different types: alkaline, standard (carbon-zinc) or rechargeable (nickel-cadmium).
- Insert batteries as indicated inside the battery compartment.
- Remove batteries during long periods of non-use. Always remove exhausted batteries from the toy. Dispose of batteries safely. Do not dispose of product in a fire. The batteries inside may explode or leak.
- Never short-circuit the battery terminals.
- Use only batteries of the same or equivalent type, as recommended.
- Do not charge non-rechargeable batteries.
- Remove rechargeable batteries from the toy before charging.
- If removable, rechargeable batteries are used, they are only to be charged under adult supervision.

Care

Wipe this toy with a clean cloth dampened with a mild soap and water solution. Do not immerse this toy.

FCC Statement

United States Only

This equipment has been tested and found to comply with the limits for a Class B digital device, pursuant to Part 15 of the FCC Rules. These limits are designed to provide reasonable protection against harmful interference in a residential installation. This equipment generates, uses and can radiate radio frequency energy and, if not installed and used in accordance with the instructions, may cause harmful interference to radio communications. However, there is no guarantee that interference will not occur in a particular installation. If this equipment does cause harmful interference to radio or television reception, which can be determined by turning the equipment off and on, the user is encouraged to try to correct the interference by one or more of the following measures:

- Reorient or relocate the receiving antenna.
- Increase the separation between the equipment and receiver.
- Consult the dealer or an experienced radio/TV technician for help.

Note: Changes or modifications not expressly approved by the manufacturer responsible for compliance could void the user's authority to operate the equipment.

Consumer Information

Visit us on line at www.service.fisher-price.com.

Call Fisher-Price® Consumer Relations, toll-free at **1-800-432-5437**, 8 AM - 6 PM EST Monday through Friday and 11 AM-5 PM EST Saturday. Hearing-impaired consumers using TTY/TDD equipment, please call 1-800-382-7470.

Write to us at: Fisher-Price® Consumer Relations, 636 Girard Avenue, East Aurora, New York 14052.

For countries outside the United States:

CANADA: Questions? 1-800-432-5437. Mattel Canada Inc., 6155 Freemont Blvd., Mississauga, Ontario L5R 3W2; www.service.mattel.com.

GREAT BRITAIN: [Mattel UK Ltd, Vanwall Business Park, Maidenhead SL6 4UB.](http://www.service.mattel.com/uk)
Helpline: 01628 500303; www.service.mattel.com/uk

AUSTRALIA: Mattel Australia Pty. Ltd., 658 Church Street, Locked Bag #870, Richmond, Victoria 3121 Australia. Consumer Advisory Service 1300 135 312.

NEW ZEALAND: 16-18 William Pickering Drive, Albany 1331, Auckland.

ASIA: Mattel East Asia Ltd, Room 1106, South Tower, World Finance Centre, Harbour City, Tsimshatsui, HK, China.