



Please keep these instructions for future reference as they contain important information.

# SQUID SUB

Build Your Own Adventure™



Introducing the Mega Rig® Building System, where you can always create something cool. Connect and reconnect the pieces to build multiple vehicles, go on tough missions, and build your own adventure!



**WARNING:**  
CHOKING HAZARD - Small parts.  
Not for children under 3 years.



DRIVES IN THE BATH!

READY FOR ACTION.

- AA +  
NOT INCLUDED

4+

MATCHBOX.COM<sup>SM</sup>

K9582-0920

Dive into the salty sea on a mission of exploration and discovery. Your engine hums as you plunge deeper.

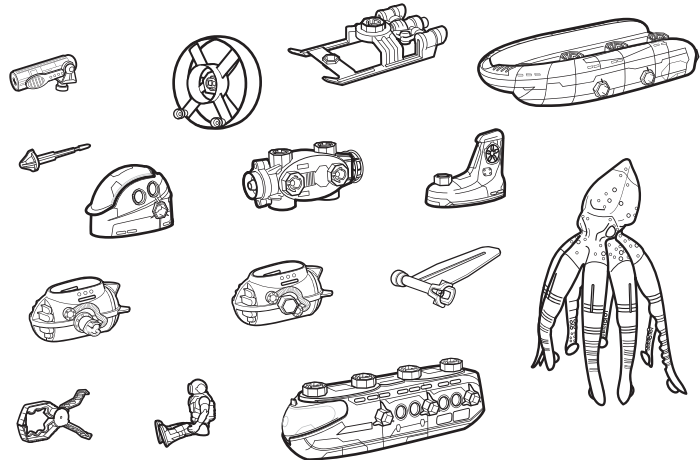
Then you see something through the window. A long tentacle! It is a giant squid that squirts water from its mouth – and it is wrapping around your sub!

Luckily, this is a Mega Rig® sub. You can rebuild it into many different vehicles, so there is always a way to save the day!

## MATCH+CONNECT SYSTEM™

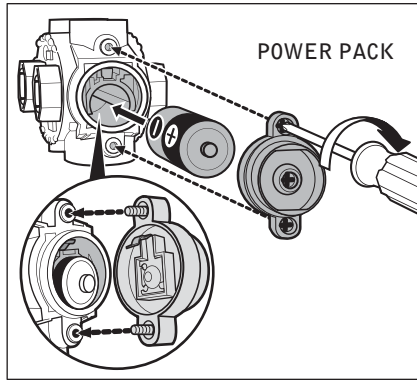
Pieces combine and recombine!  
Create several different combinations!

### CONTENTS



## BATTERY INSTALLATION/REPLACEMENT

Open battery cover with a Phillips head screwdriver (not included) and insert 1 "AA" (LR6) alkaline battery (not included) in the orientation shown. Replace battery cover and tighten screws. If the product does not function properly change the batteries. For best performance use only alkaline batteries. Dispose of batteries safely.



### BATTERY SAFETY INFORMATION

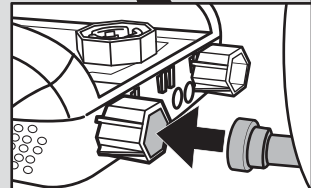
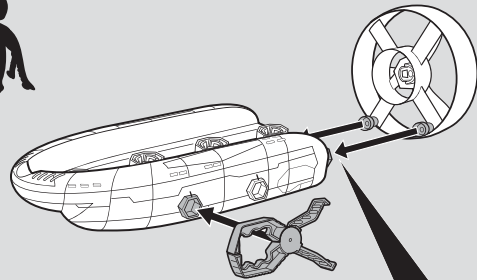
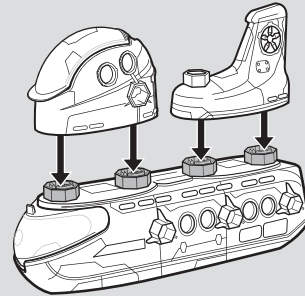
In exceptional circumstances batteries may leak fluids that can cause a chemical burn injury or ruin your product. To avoid battery leakage:

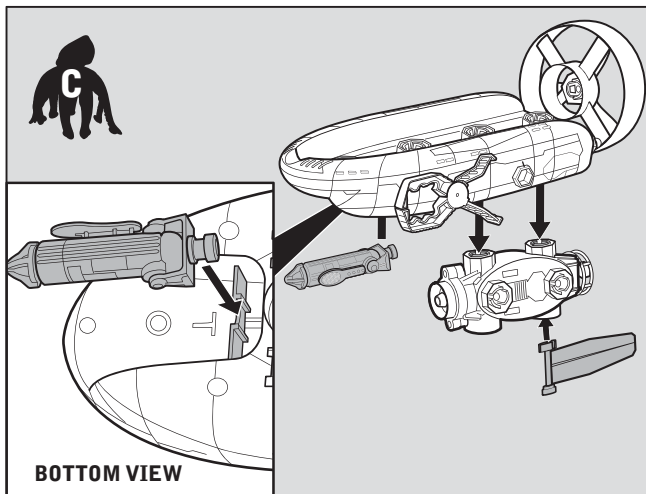
- Non-rechargeable batteries are not to be recharged.
- Rechargeable batteries are to be removed from the product before being charged (if designed to be removable).
- Rechargeable batteries are only to be charged under adult supervision (if designed to be removable).
- Do not mix alkaline, standard (carbon-zinc), or rechargeable (nickel-cadmium) batteries.
- Do not mix old and new batteries.
- Only batteries of the same or equivalent type as recommended are to be used.
- Batteries are to be inserted with the correct polarity.
- Exhausted batteries are to be removed from the product.
- The supply terminals are not to be short-circuited.
- Dispose of battery(ies) safely.
- Do not dispose of this product in a fire. The batteries inside may explode or leak.



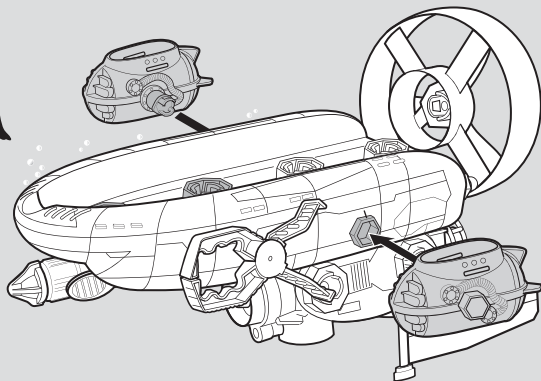
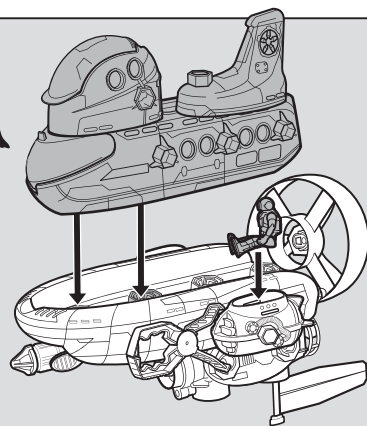
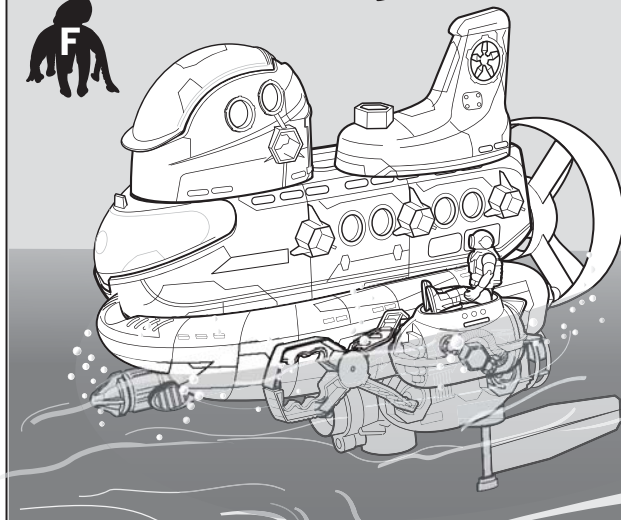
Protect the environment by not disposing of this product with household waste [2002/96/EC]. Check your local authority for recycling advice and facilities.

## CREATE YOUR OWN SQUID SUB!



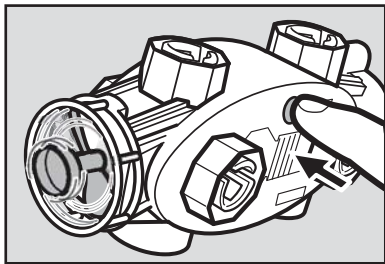
**C****BOTTOM VIEW**

For the best floating performance, to adjust power pack position.

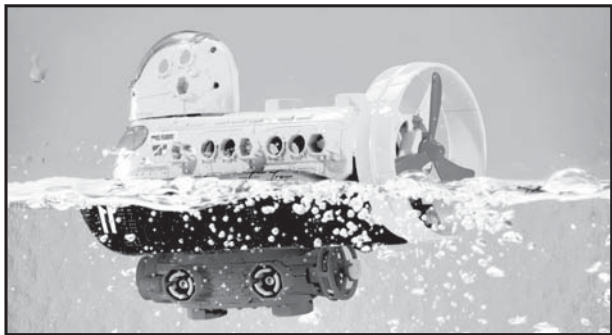
**D****E****F**

## TO PLAY: POWER PACK

Press the button on the power pack to start the motor.

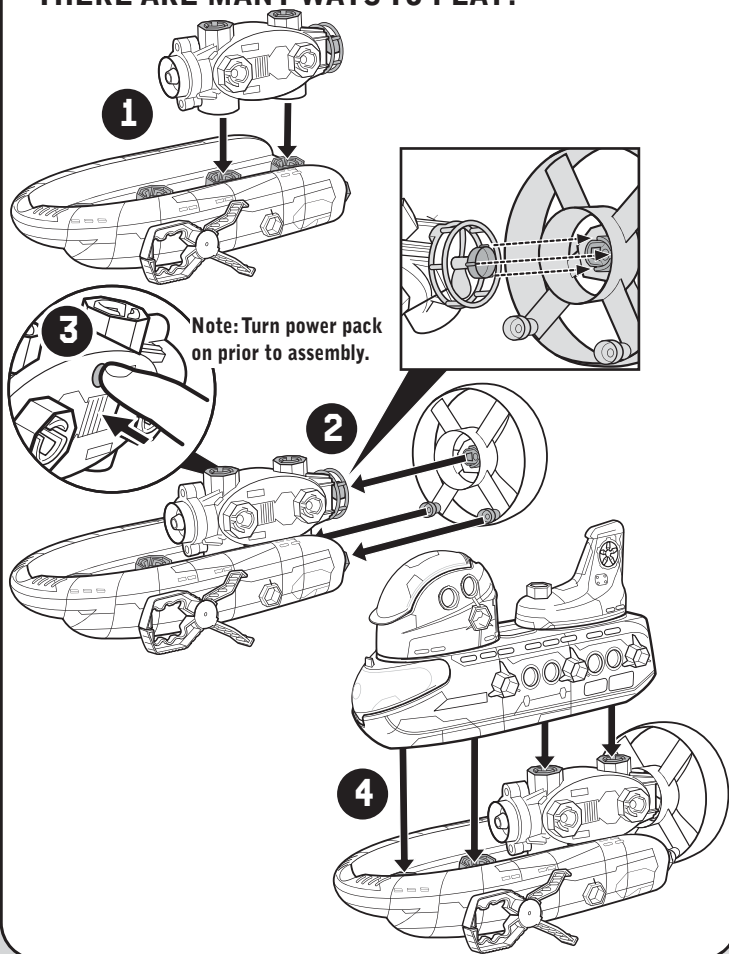


With the power pack attached to your sub, press the button on the power pack to start the motor. Put your sub in water and watch it go!



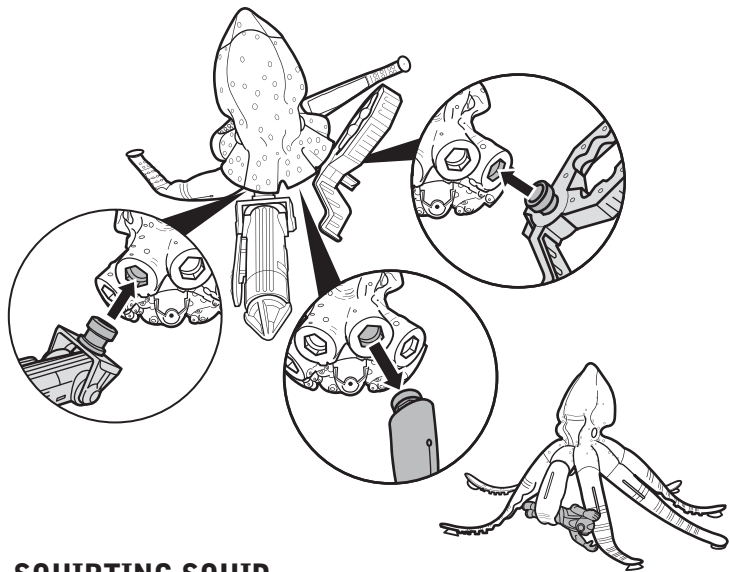
Water toys sometimes get messy. Protect play surfaces before use. After each use, drain and rinse all items. Clean and dry all items thoroughly before storing.

## THERE ARE MANY WAYS TO PLAY!

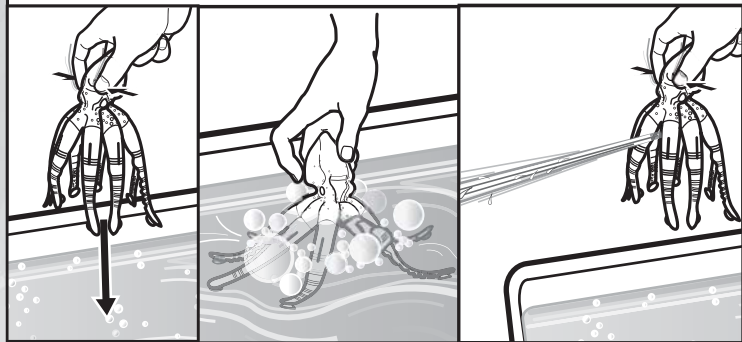




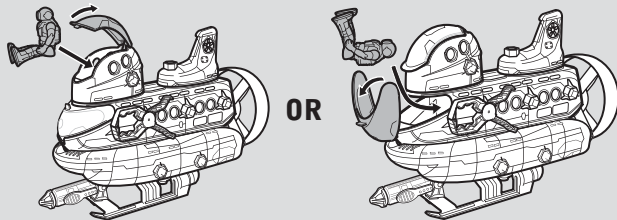
The squid's tentacles are removable.



## SQUIRTING SQUID

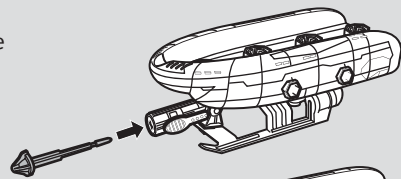


## Put Matchbox® Men Inside

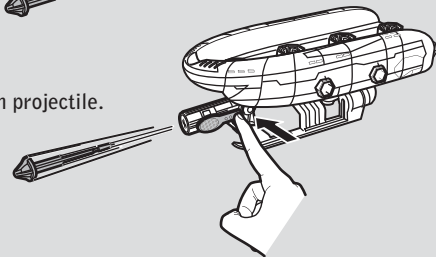


## Make The Missile Really Fire

Load projectile

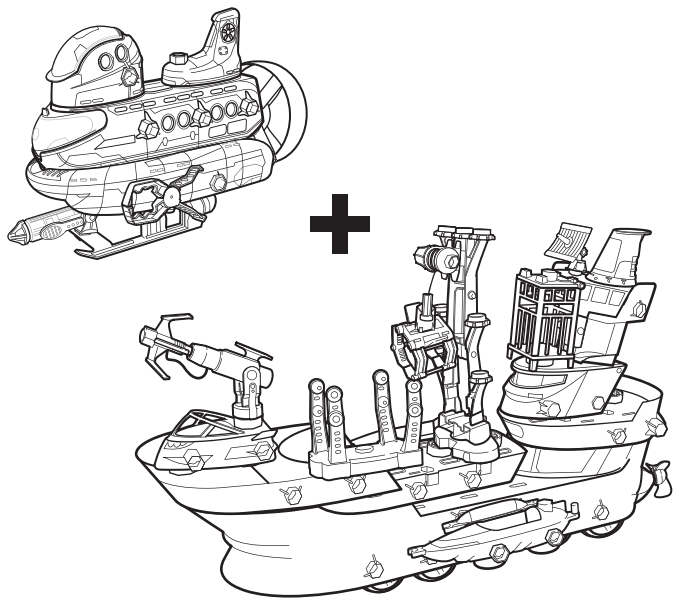


Press to launch projectile.



Only use projectile supplied with this toy. Do not fire at people or animals or at point blank range.

## COMBINES WITH ANY MEGA RIG® SET!



Each sold separately, subject to availability.  
Colors and decorations may vary.

© 2007 Mattel, Inc. All Rights Reserved. **PRINTED IN CHINA.** Mattel, Inc., 333 Continental Blvd., El Segundo, CA 90245 U.S.A. Consumer Relations 1-800-524-8697. [service.mattel.com](http://service.mattel.com) • [Mattel.U.K.Ltd.](http://Mattel.U.K.Ltd.), [Vanwall Business Park, Maidenhead SL6 4UB](http://Vanwall.Business.Park.Maidenhead.SL6.4UB), Helpline 01628500303 • [Mattel.Australia.Pty.Ltd.](http://Mattel.Australia.Pty.Ltd.), Richmond, Victoria. 3121. Consumer Advisory Service - 1300 135 312. • [Mattel.East.Asia.Ltd.](http://Mattel.East.Asia.Ltd.), Room 1106, South Tower, World Finance Centre, Harbour City, Tsimshatsui, HK, China. • [Diimport & Diedarkan Oleh: Mattel SEA Ptd Ltd.\(993532-P\) Lot 13.5, Menara Lien Hoe, Persiaran Tropicana Golf Country Resort, 47410 PJ. Tel:03-78803817, Fax:03-78803867.](http://Diimport&Diedarkan.Oleh:Mattel.SEA.Ptd.Ltd.(993532-P)Lot.13.5,Menara.Lien.Hoe,Persiaran.Tropicana.Golf.Country.Resort,47410.PJ.Tel:03-78803817,Fax:03-78803867.)

## CAN YOU BUILD THESE?

