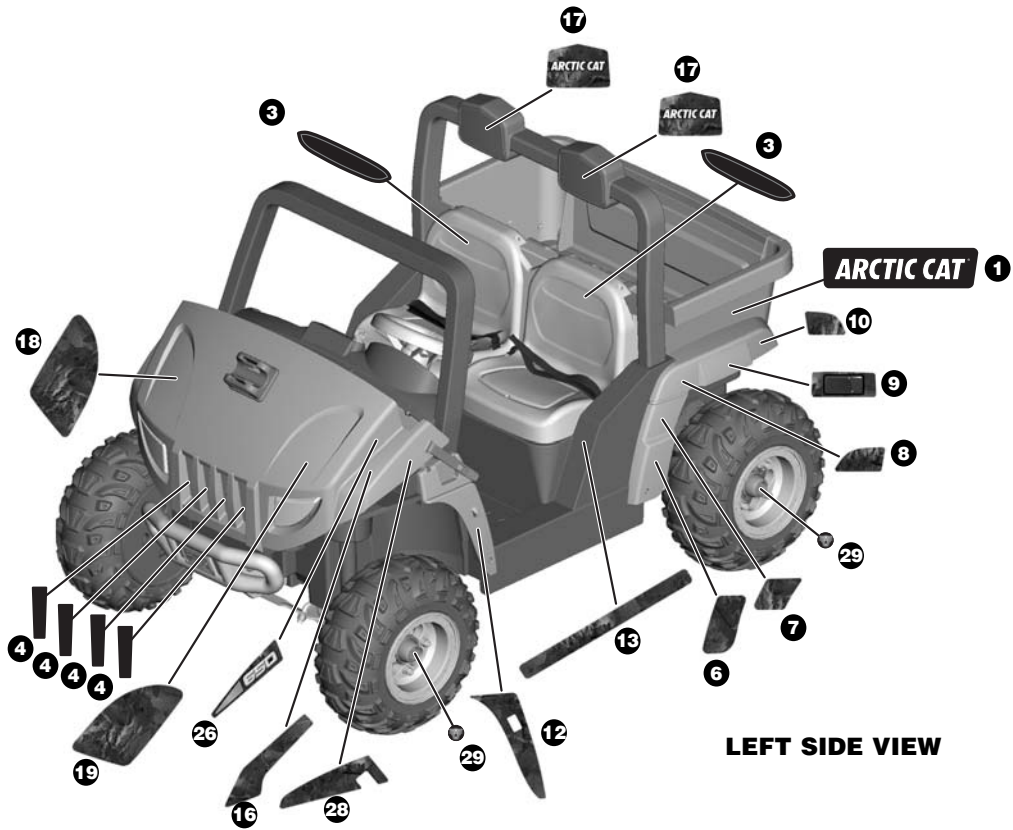
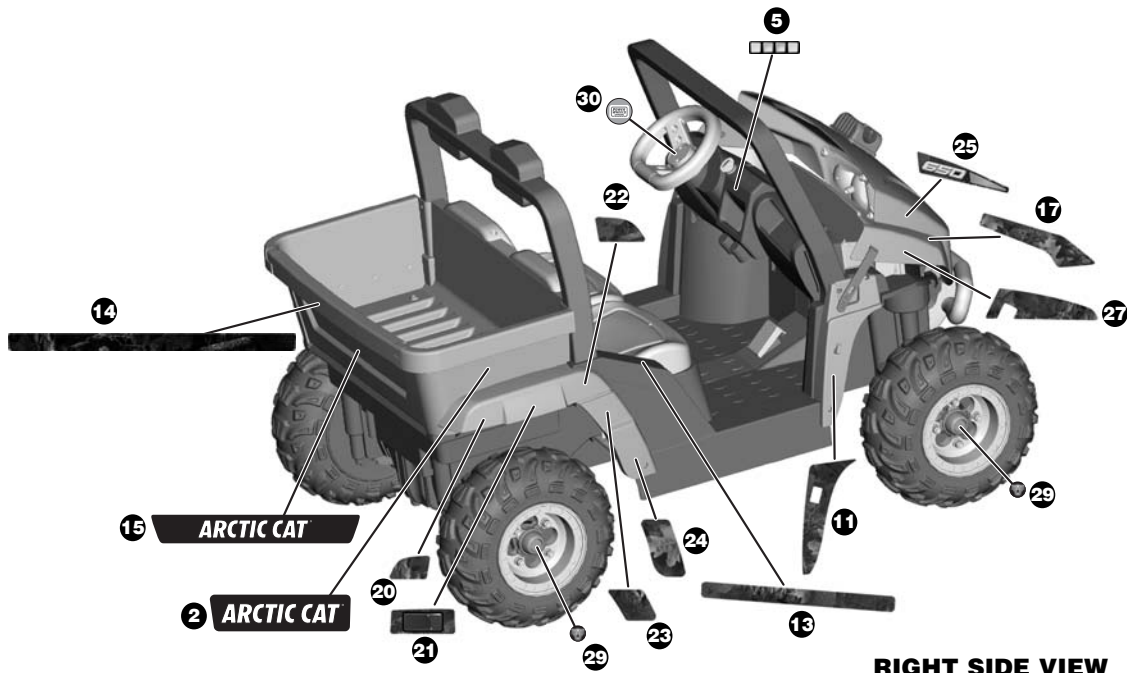


DECORATION

Please follow these instructions to apply labels to model number L7825.



LEFT SIDE VIEW



RIGHT SIDE VIEW

Manufactured for Arctic Cat Inc., Thief River Falls, MN 56701
 ©2007 Arctic Cat Sales, Inc. ®™ Trademarks of Arctic Cat Inc.

Fisher-Price and Power Wheels are U.S. Trademarks of Mattel Inc.

Fisher-Price, Inc., a subsidiary of Mattel, Inc., East Aurora, New York 14052 U.S.A.
 ©2007 Mattel, Inc. All Rights Reserved. ® and ™ designate U.S. trademarks of Mattel, Inc.