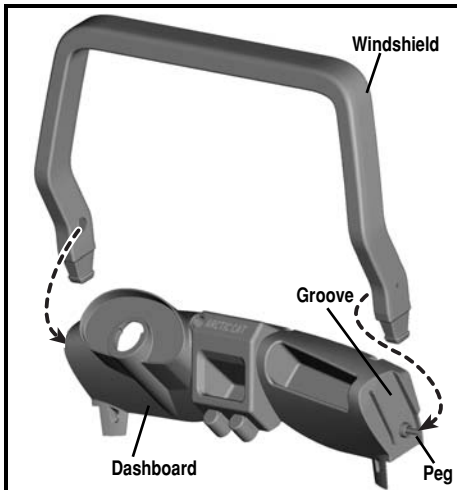




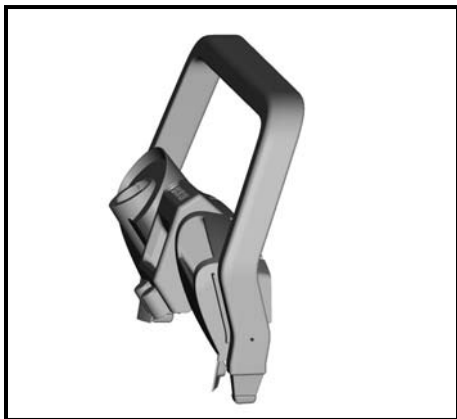
We've Made a Change!

We've changed the design of the windshield so that it now bends forward. Please review these instructions to ensure proper assembly of the windshield to the dashboard.



Hint: The windshield and dashboard are factory assembled and taped. If these parts come apart after removing the tape, follow this assembly step.

- Fit the ends of the windshield into the groove and onto the peg on each side of the dashboard.

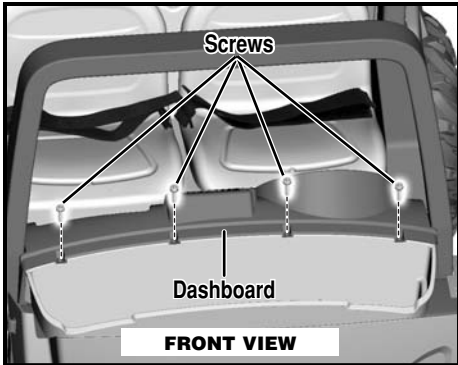


- The windshield is **properly** assembled.



- The windshield is **not properly** assembled. Remove the windshield and turn it around so that it bends forward.

Helpful Hint



- We recommend the use of a short-shaft Phillips screwdriver to tighten the four screws in the dashboard.

Fisher-Price and Power Wheels are U.S. Trademarks of Mattel Inc.
Fisher-Price, Inc., a subsidiary of Mattel, Inc., East Aurora, New York 14052 U.S.A.
©2007 Mattel, Inc. All Rights Reserved. © and ™ designate U.S. trademarks of Mattel, Inc.