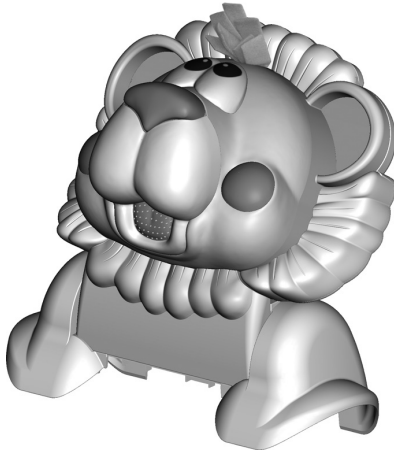




- Please keep this instruction sheet for future reference, as it contains important information.
- Adult supervision is required.
- Never use near steps.
- Choose areas for riding that are free of obstacles.
- Learn to stop safely.
- Use with caution as this product requires skill to operate safely to avoid falls, collisions, and injuries to yourself (the rider) and others.
- Requires three “AA” (LR6) **alkaline** batteries (not included).
- Adult assembly is required.
- Tool required: Phillips screwdriver (not included).

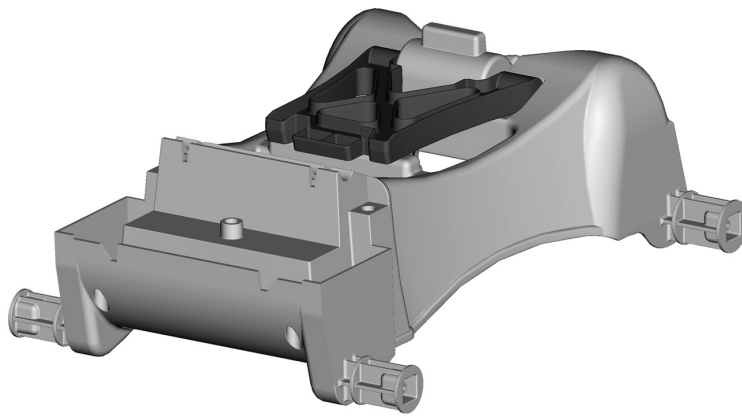
## Parts



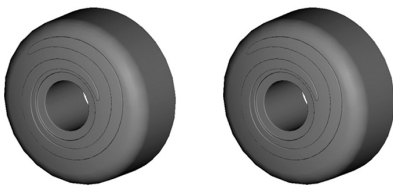
Lion



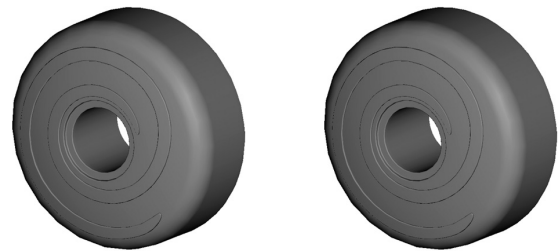
Seat



Frame



2 Front Wheels  
(Small)



2 Rear Wheels  
(Large)



4 Hubs



#8 x  $\frac{3}{4}$ " (1,9 cm) Screws – 9  
Shown Actual Size

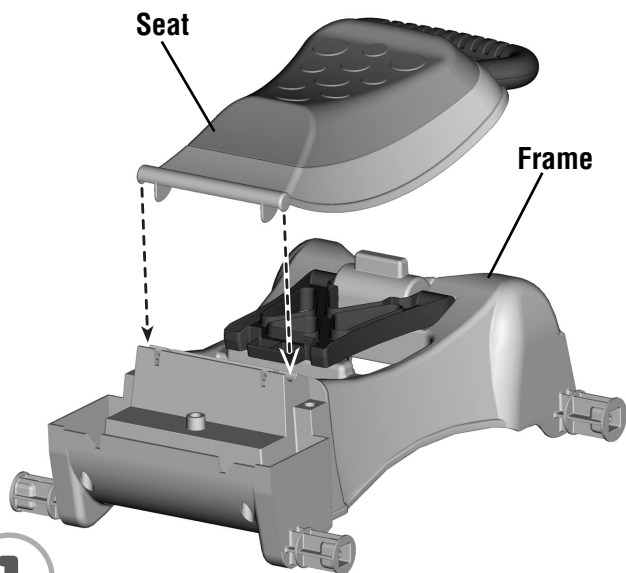
**Note:** Tighten and loosen all screws with a Phillips screwdriver. Do not over-tighten screws.

## Assembly



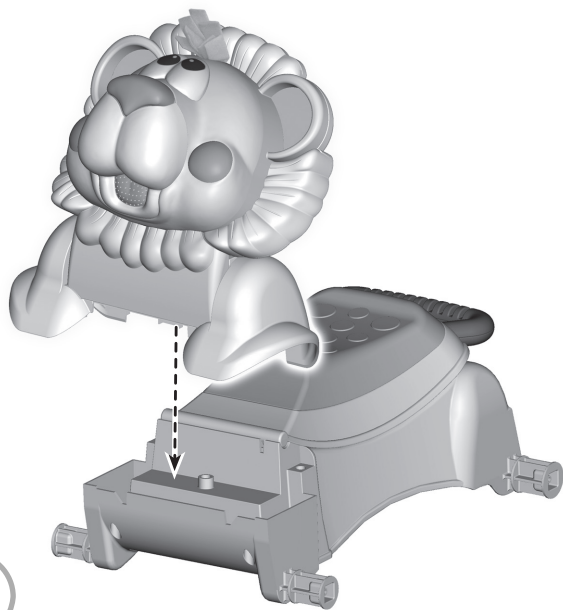
### CAUTION

This package contains small parts.  
For adult assembly only.



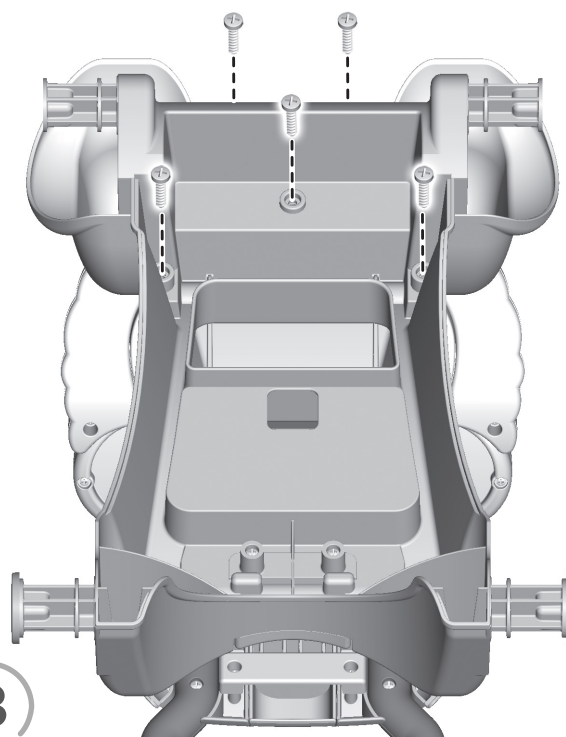
1

- Fit the seat onto the frame, as shown.



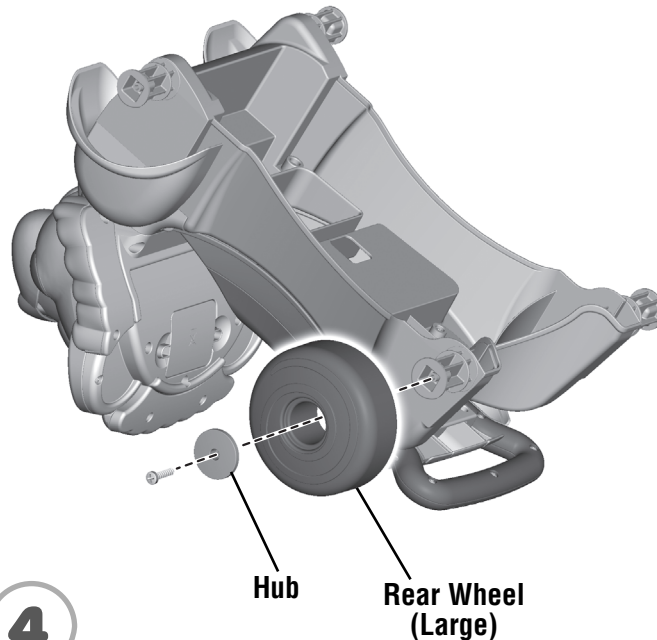
2

- Fit the lion onto the frame.



3

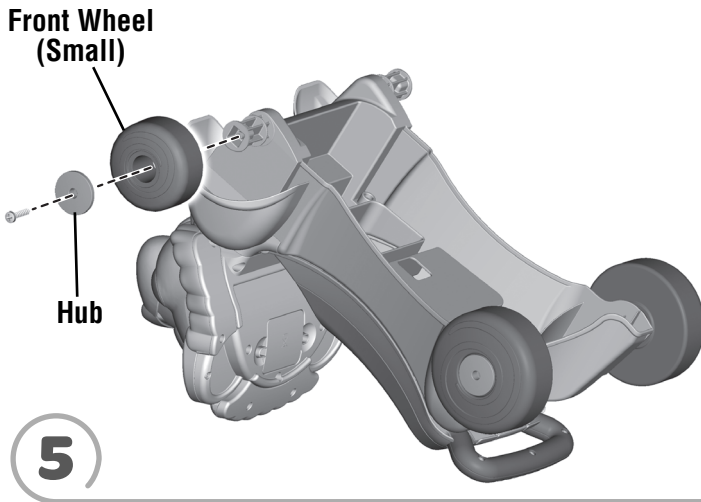
- While holding the lion in place, turn the assembly over.
- Insert five screws into the holes in the frame and tighten.



4

- Fit a rear wheel (large) onto the rear axle.
- Fit a hub into the center of the rear wheel.
- Insert a screw into the center of the hub and tighten.
- Repeat this procedure to attach the other rear wheel.

## Assembly



- Fit a front wheel (small) onto the front axle.
- Fit a hub into the center of the front wheel.
- Insert a screw into the center of the hub and tighten.
- Repeat this procedure to attach the other front wheel.

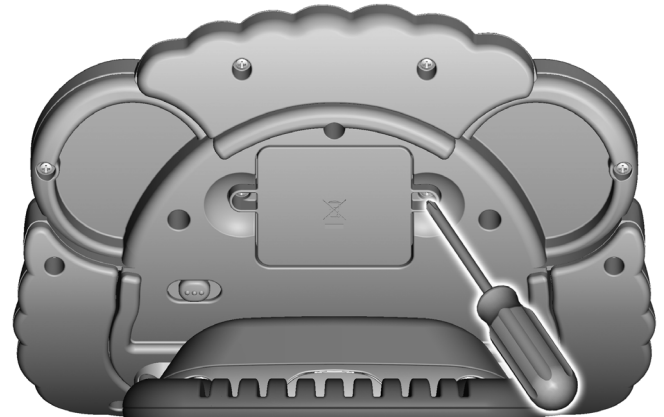
## Before Use


**Note:** A plastic tab was attached to the toy for in-store demonstration purposes. While the tab may have already been removed, check back of the lion to be sure. If the plastic tab is still attached, pull and remove the tab from the toy. Throw the plastic tab away.

### Care

- Wipe with a clean cloth dampened with a mild soap and water solution. Do not immerse.
- Periodically inspect this product for wear or damage. Check all nuts and bolts, and tighten as needed. Replace worn or broken parts immediately.

## Battery Installation



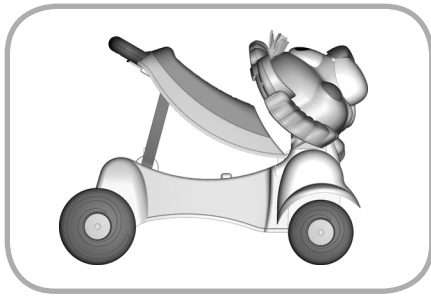
- Locate the battery compartment on the back of the lion.
  - Loosen the screws in the battery compartment door with a Phillips screwdriver and remove the door.
  - Insert three "AA" (LR6) **alkaline** batteries.
  - Replace the battery compartment door and tighten the screws. Do not over-tighten.
  - If this product begins to operate erratically, you may need to reset the electronics. Slide the power/volume switch off and then back on.
  - When sounds or lights become faint or stop, it's time for an adult to change the batteries!
-  • Protect the environment by not disposing of this product with household waste (2002/96/EC). Check your local authority for recycling advice and facilities.

### Battery Safety Information

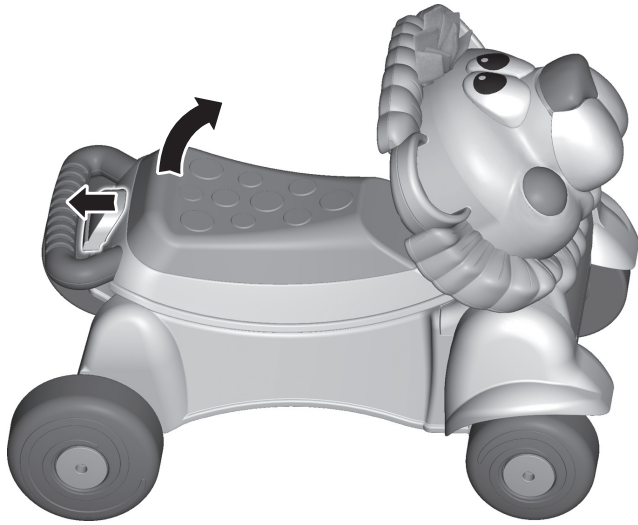
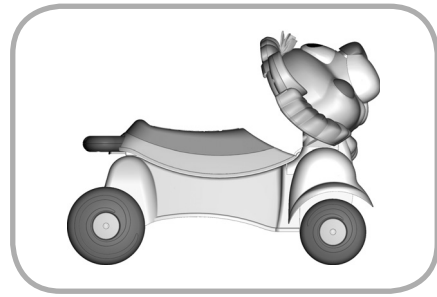
In exceptional circumstances, batteries may leak fluids that can cause a chemical burn injury or ruin your toy. To avoid battery leakage:

- Do not mix old and new batteries or batteries of different types: alkaline, standard (carbon-zinc) or rechargeable (nickel-cadmium).
- Insert batteries as indicated inside the battery compartment.
- Remove batteries during long periods of non-use. Always remove exhausted batteries from the toy. Dispose of batteries safely. Do not dispose of the product in a fire. The batteries inside may explode or leak.
- Never short-circuit the battery terminals.
- Use only batteries of the same or equivalent type, as recommended.
- Do not charge non-rechargeable batteries.
- Remove rechargeable batteries from the toy before charging.
- If removable, rechargeable batteries are used, they are only to be charged under adult supervision.

## Rider to Walker



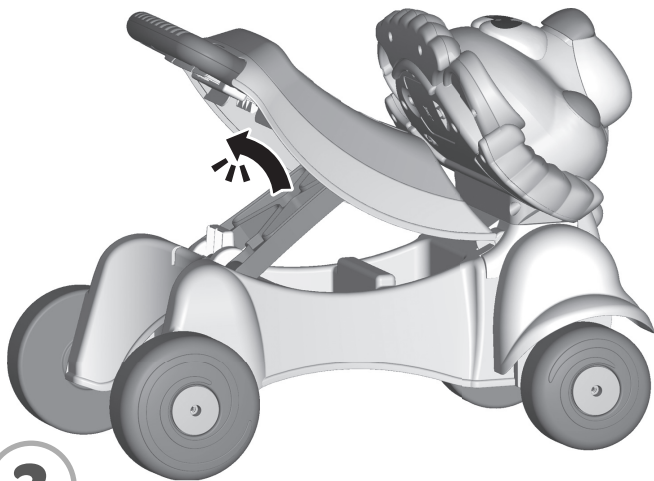
## Walker to Rider



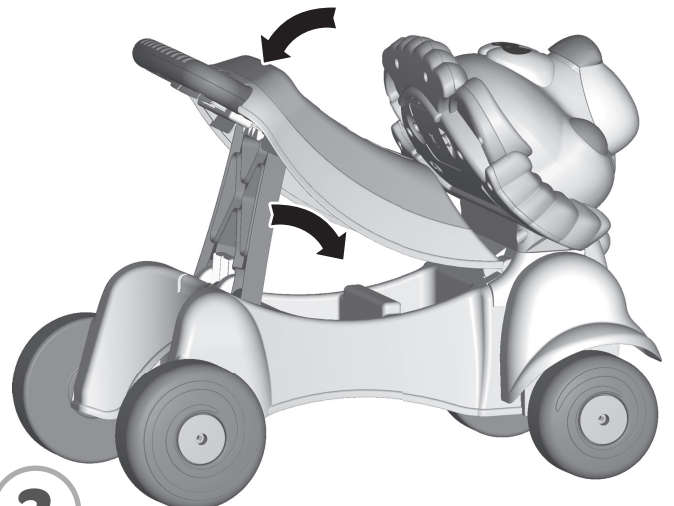
- Pull out the latch on the back of the seat and lift the seat.



- Pull out the latch on the back of the seat and lift the seat.



- Lift the support and “snap” it into the opening under the seat.
- Push down on the handle to be sure it's secure.



- Lower the support and lower the seat.

## Flashing Lights and Lively Music!

Press the lion's nose for fun lights and sounds!



- Slide the power/volume switch on the toy to:
  - 🔊 ON with low volume
  - 🔊 ON with high volume
  - OFF

### ICES-003

- This Class B digital apparatus complies with Canadian ICES-003.
- Operation is subject to the following two conditions:
  - (1) this device may not cause harmful interference and
  - (2) this device must accept any interference received, including interference that may cause undesired operation.

### NMB-003

- Cet appareil numérique de la classe B est conforme à la norme NMB-003 du Canada.
- L'utilisation de ce dispositif est autorisée seulement aux conditions suivantes : (1) il ne doit pas produire de brouillage et (2) l'utilisateur du dispositif doit être prêt à accepter tout brouillage radioélectrique reçu, même si ce brouillage est susceptible de compromettre le fonctionnement du dispositif.

## Consumer Information



### CONSUMER ASSISTANCE

1-800-432-5437 (US & Canada)  
1300 135 312 (Australia)

[service.fisher-price.com](http://service.fisher-price.com)

Fisher-Price, Inc., 636 Girard Avenue, East Aurora, NY 14052.  
Hearing-impaired consumers: 1-800-382-7470.

#### Outside the United States:

Canada: Mattel Canada Inc., 6155 Freemont Blvd.,  
Mississauga, Ontario L5R 3W2; [www.service.mattel.com](http://www.service.mattel.com).

Great Britain: Mattel UK Ltd, Vanwall Business Park,  
Maidenhead SL6 4UB. Helpline: 01628 500303.  
[www.service.mattel.com/uk](http://www.service.mattel.com/uk)

Mattel Europa B.V., Gondel 1, 1186MJ Amstelveen, Nederland.

Australia: Mattel Australia Pty. Ltd., 658 Church Street,  
Locked Bag #870, Richmond, Victoria 3121 Australia.

New Zealand: 16-18 William Pickering Drive,  
Albany 1331, Auckland.

### FCC Statement (United States Only)

This equipment has been tested and found to comply with the limits for a Class B digital device, pursuant to Part 15 of the FCC Rules. These limits are designed to provide reasonable protection against harmful interference in a residential installation. This equipment generates, uses and can radiate radio frequency energy and, if not installed and used in accordance with the instructions, may cause harmful interference to radio communications. However, there is no guarantee that interference will not occur in a particular installation. If this equipment does cause harmful interference to radio or television reception, which can be determined by turning the equipment off and on, the user is encouraged to try to correct the interference by one or more of the following measures:

- Reorient or relocate the receiving antenna.
- Increase the separation between the equipment and receiver.
- Consult the dealer or an experienced radio/TV technician for help.

Note: Changes or modifications not expressly approved by the manufacturer responsible for compliance could void the user's authority to operate the equipment. This device complies with Part 15 of the FCC Rules.

Operation is subject to the following two conditions:

- (1) This device may not cause harmful interference and
- (2) this device must accept any interference received, including interference that may cause undesired operation.