



Please keep this instruction sheet for future reference,
as it contains important information.

Requires three "AA" batteries (included).

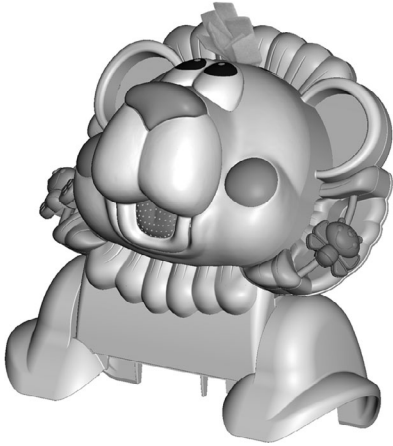
Adult assembly is required for battery replacement.

Tool required for battery replacement and to remove product
from package: Phillips screwdriver (not included).

Go Baby Go!

Rewards baby's physical
accomplishments

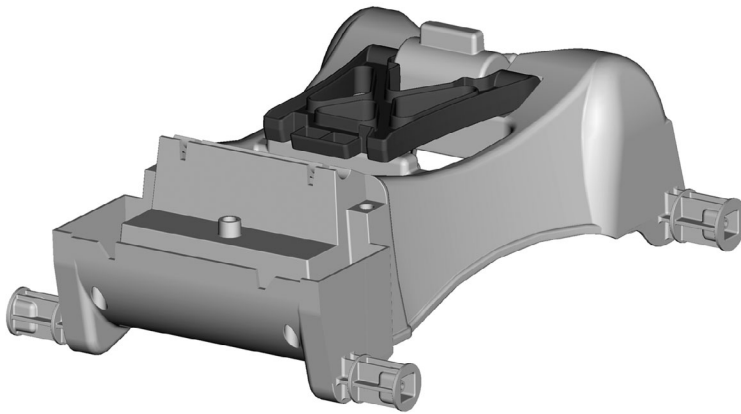
Parts



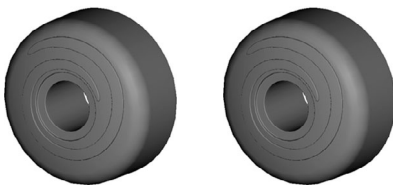
Lion



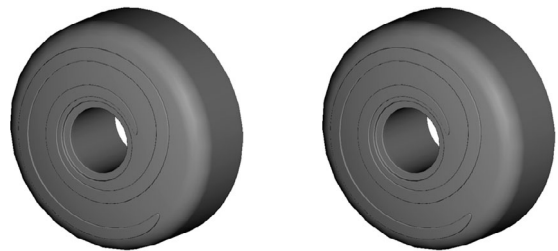
Seat



Frame



2 Front Wheels
(Small)



2 Rear Wheels
(Large)



4 Hubs



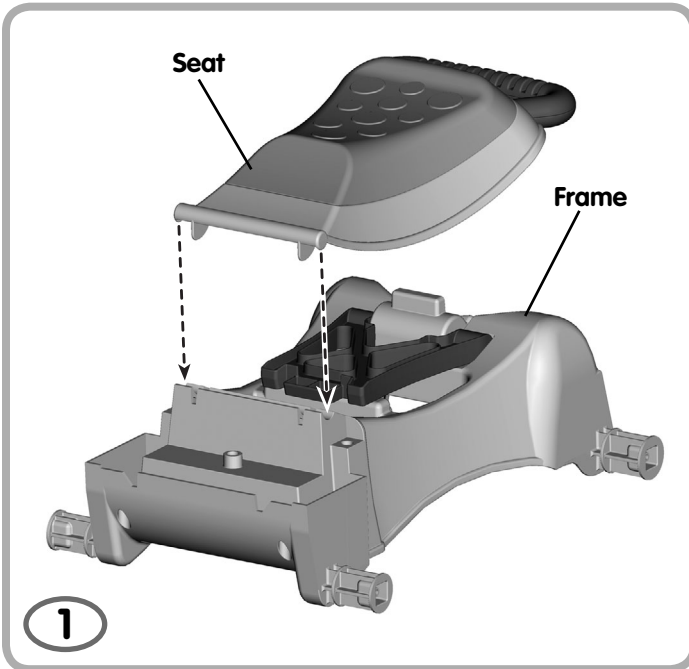
#8 x 3/4" Screws – 9
Shown Actual Size

Note: Tighten and loosen all screws with a Phillips screwdriver. Do not over-tighten screws.

Assembly

⚠ CAUTION

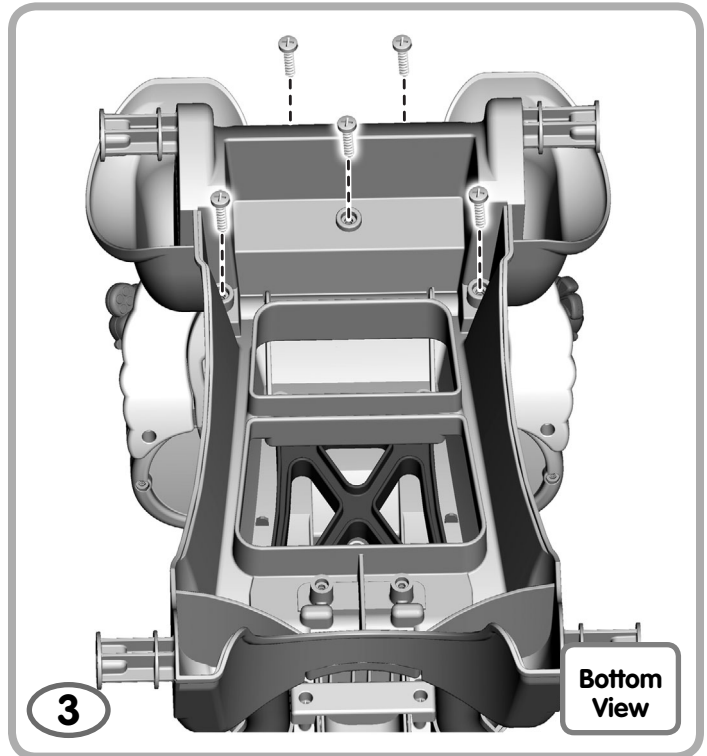
This product contains small parts.
For assembly by an adult. Take extra care
during unpacking and assembly.



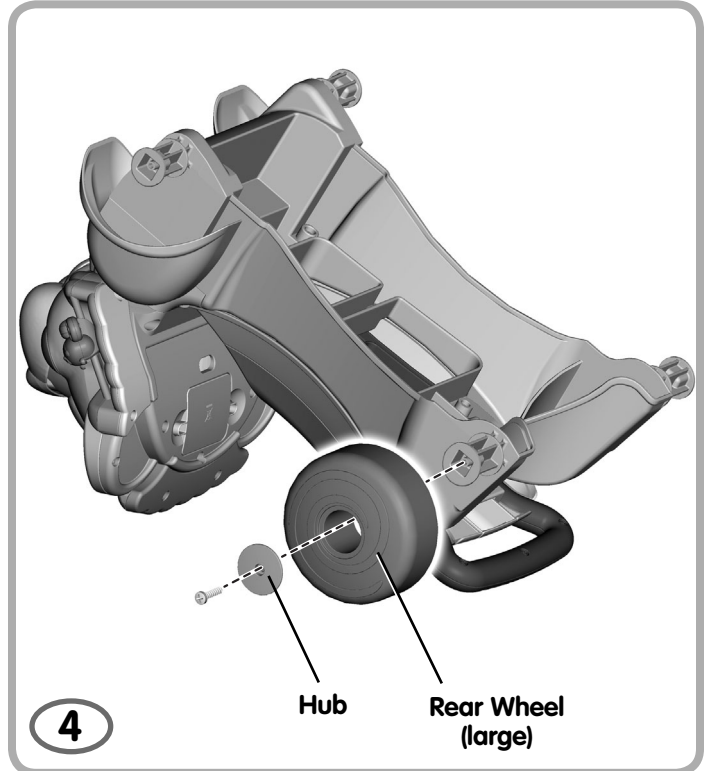
- Fit the seat onto the frame, as shown.



- Fit the lion onto the frame.

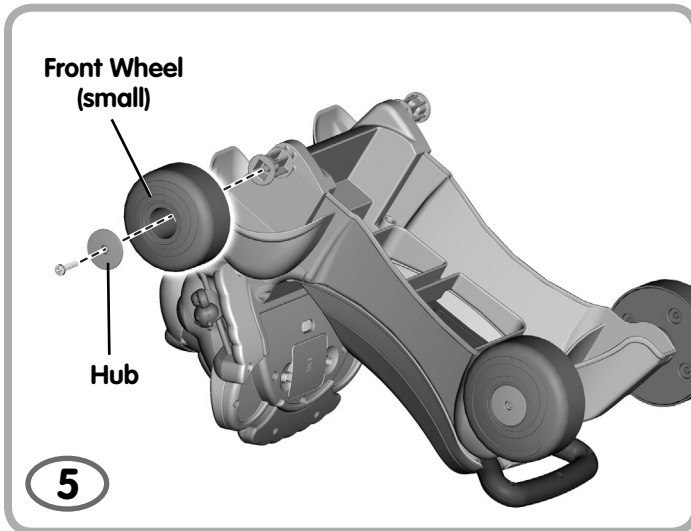


- While holding the lion in place, turn the assembly upside down.
- Insert five screws through the frame and into the lion. Tighten the screws.



- Fit a rear wheel (large) onto the rear axle.
- Fit a hub into the center of the rear wheel.
- Insert a screw into the center of the hub and tighten.
- Repeat this procedure to attach the other rear (large) wheel.

Assembly



- Fit a front wheel (small) onto the front axle.
- Fit a hub into the center of the front wheel.
- Insert a screw into the center of the hub and tighten.
- Repeat this procedure to attach the other front (small) wheel.

Assembly is now complete. Set the assembly upright.

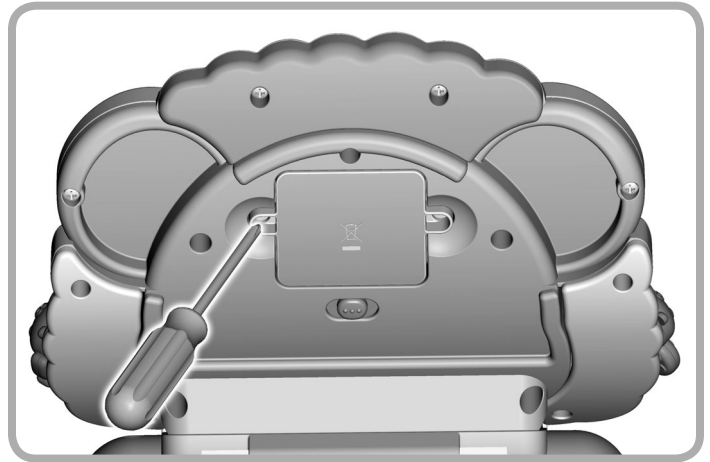
Before Use

CAUTION

Please keep small parts such as plastic tabs out of children's reach. Throw the plastic tab away.

Note: A plastic tab was attached to the toy for in-store demonstration purposes. While the tab may have already been removed, check back of the lion to be sure. If the plastic tab is still attached, pull and remove the tab from the toy. Throw the plastic tab away.

Battery Replacement



For best performance, we recommend that you replace the batteries that came with this toy, with three, new "AA" (LR6) alkaline batteries.

- Locate the battery compartment on the back of the lion.
- Loosen the screws in the battery compartment door with a Phillips screwdriver. Remove the battery compartment door.
- Insert three "AA" (LR6) **alkaline** batteries.

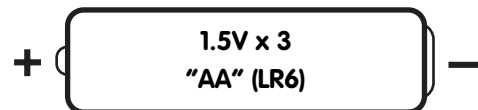
Hint: We recommend using **alkaline** batteries for longer battery life.

- Replace the battery compartment door and tighten the screws.
- When sounds or lights become faint or stop, it's time for an adult to change the batteries!



- Protect the environment by not disposing of this product with household waste (2002/96/EC). Check your local authority for recycling advice and facilities.

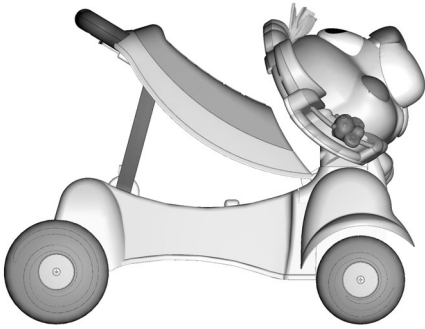
Battery Safety Information



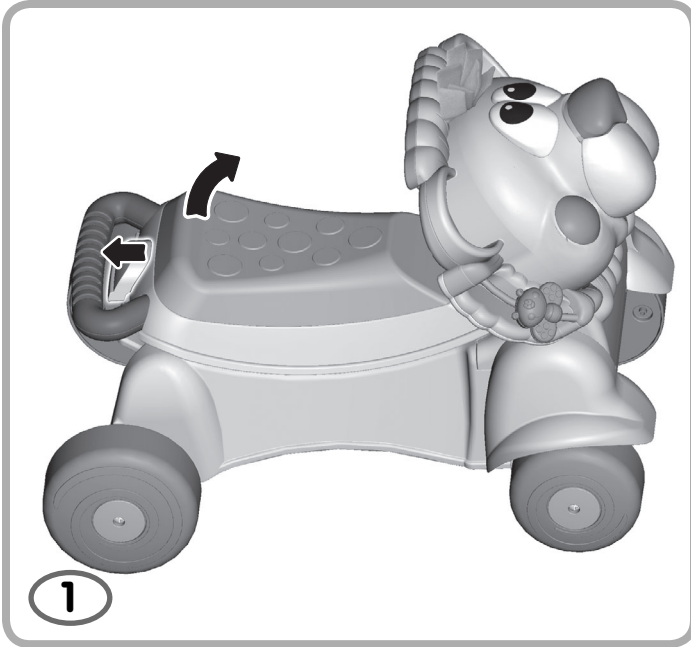
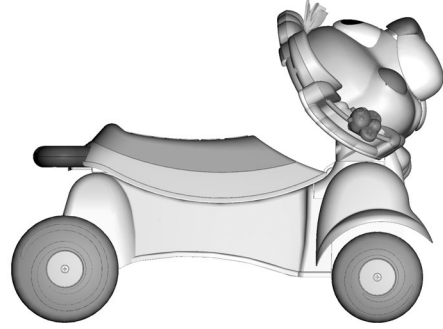
In exceptional circumstances, batteries may leak fluids that can cause a chemical burn injury or ruin your toy. To avoid battery leakage:

- Do not mix old and new batteries or batteries of different types: alkaline, standard (carbon-zinc) or rechargeable (nickel-cadmium).
- Insert batteries as indicated inside the battery compartment.
- Remove batteries during long periods of non-use. Always remove exhausted batteries from the toy. Dispose of batteries safely. Do not dispose of the product in a fire. The batteries inside may explode or leak.
- Never short-circuit the battery terminals.
- Use only batteries of the same or equivalent type, as recommended.
- Do not charge non-rechargeable batteries.
- Remove rechargeable batteries from the toy before charging.
- If removable, rechargeable batteries are used, they are only to be charged under adult supervision.

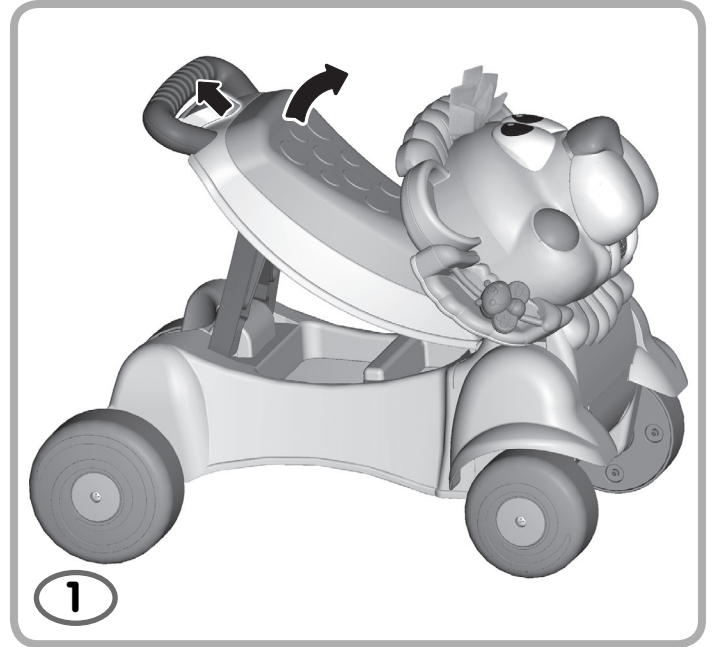
Rider to Walker



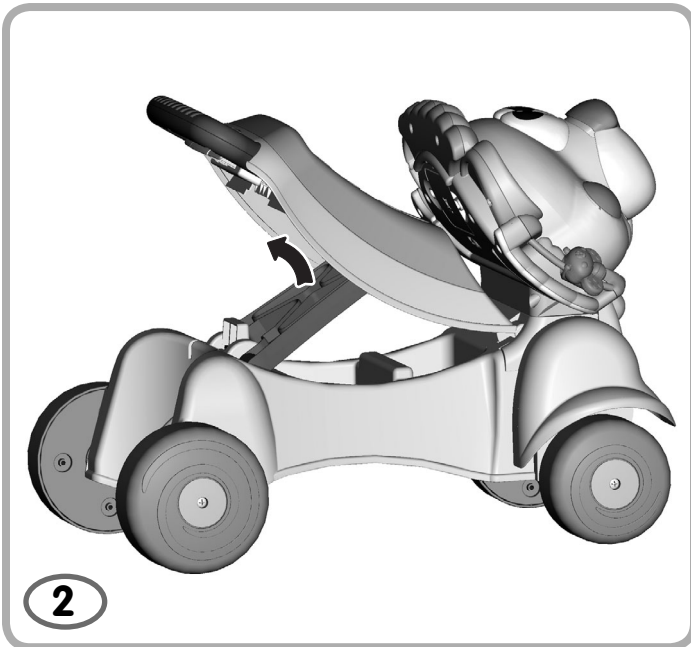
Walker to Rider



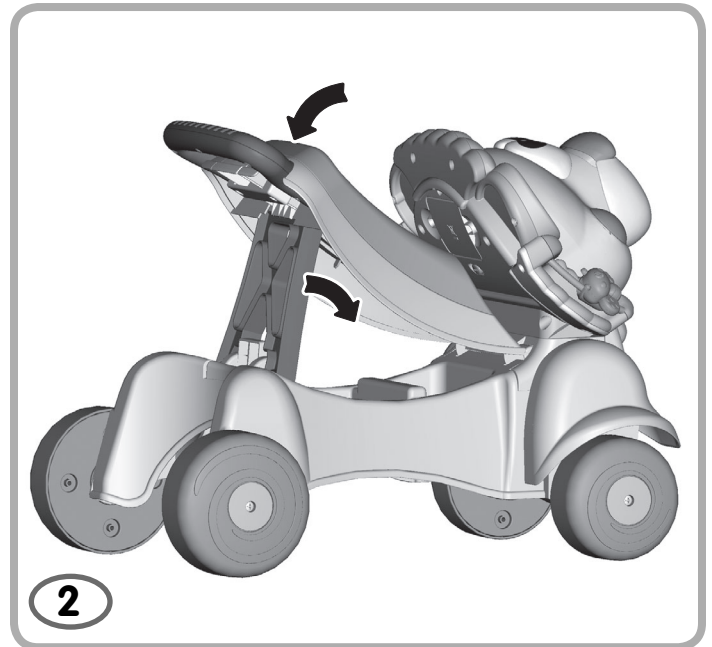
- Pull out the latch on the back of the seat and lift the seat.



- Pull out the latch on the back of the seat and lift the seat.

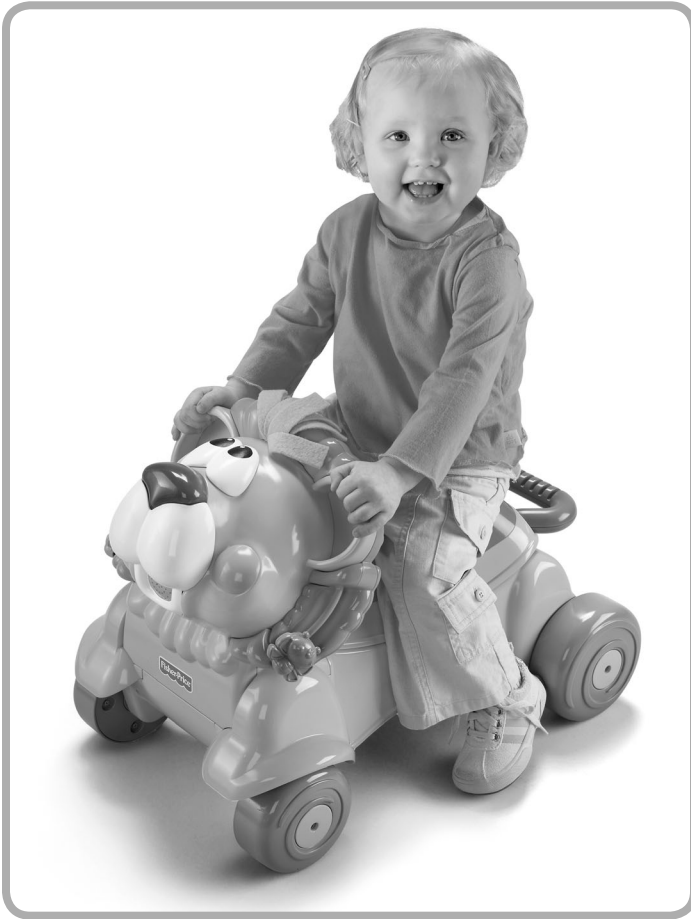





- Lift the support and "snap" it into the opening under the seat.
- Push down on the handle to be sure it's secure.



- Lower the support and lower the seat.

Flashing Lights and Lively Music!



- Slide the power/volume switch on the toy to on with low volume ; on with high volume  or off .
- Press the lion's nose for fun lights and sounds.

Care

Wipe with a clean cloth dampened with a mild soap and water solution. Do not immerse.

FCC Statement

United States Only

This equipment has been tested and found to comply with the limits for a Class B digital device, pursuant to Part 15 of the FCC Rules. These limits are designed to provide reasonable protection against harmful interference in a residential installation. This equipment generates, uses and can radiate radio frequency energy and, if not installed and used in accordance with the instructions, may cause harmful interference to radio communications. However, there is no guarantee that interference will not occur in a particular installation. If this equipment does cause harmful interference to radio or television reception, which can be determined by turning the equipment off and on, the user is encouraged to try to correct the interference by one or more of the following measures:

- Reorient or relocate the receiving antenna.
- Increase the separation between the equipment and receiver.
- Consult the dealer or an experienced radio/TV technician for help.

Note: Changes or modifications not expressly approved by the manufacturer responsible for compliance could void the user's authority to operate the equipment.

Consumer Information

Visit us on line at www.service.fisher-price.com

Call our Consumer Relations Department, toll-free at **1-800-432-5437**, 9 AM - 7 PM EST Monday through Friday and 11 AM - 5 PM EST Saturday. Hearing-impaired consumers using TTY/TDD equipment, please call 1-800-382-7470. Write to us at: Fisher-Price® Consumer Relations, 636 Girard Avenue, East Aurora, New York 14052.

For countries outside the United States:

CANADA: Questions? **1-800-432-5437**. Mattel Canada Inc., 6155 Freemont Blvd., Mississauga, Ontario L5R 3W2; www.service.mattel.com.

GREAT BRITAIN: Mattel UK Ltd, Vanwall Business Park, Maidenhead SL6 4UB. Helpline: 01628 500303. www.service.mattel.com/uk

AUSTRALIA: Mattel Australia Pty. Ltd., 658 Church Street, Locked Bag #870, Richmond, Victoria 3121 Australia. Consumer Advisory Service 1300 135 312.

NEW ZEALAND: 16-18 William Pickering Drive, Albany 1331, Auckland.

ASIA: Mattel East Asia Ltd, Room 1106, South Tower, World Finance Centre, Harbour City, Tsimshatsui, HK, China.