

Fisher-Price®

L7202

Please keep this instruction sheet for future reference, as it contains important information.

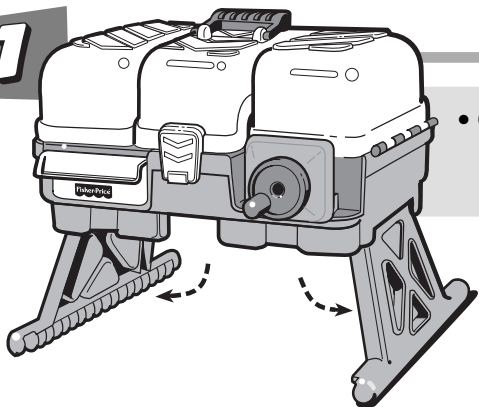
Adult assembly is required.

No tools needed for assembly.



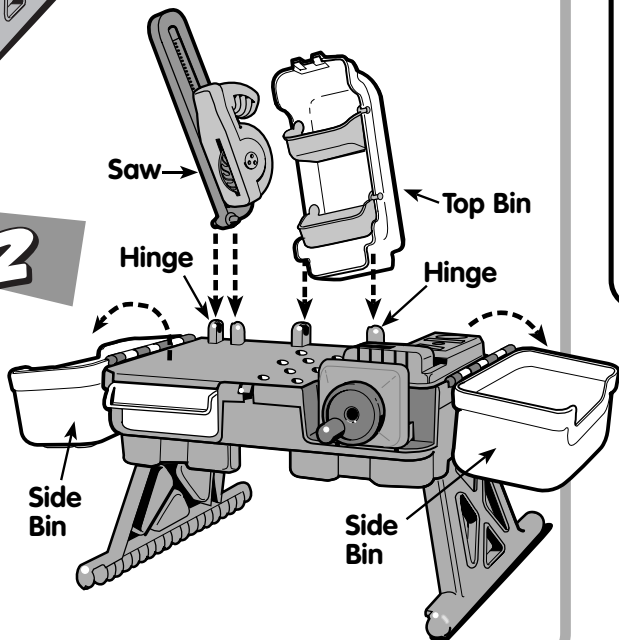
**Fun To
Imagine!**

www.fisher-price.com

1

- Grasp the legs on the bottom of the workshop and pull them down and out.

- Lift the side storage bins to use the tabletop.
- At an angle, fit one of the pegs on the saw into a hole in the hinge on the table top. Insert and snap the other peg on the saw into the other hole in the hinge.
- At angle, fit one of the pegs on the top bin into a hole in the hinge on the table top. Insert and snap the other peg on the top bin into the other hole in the hinge.

2

CONSUMER ASSISTANCE

Call toll free: 1-800-432-5437 (US & Canada only)
M-F 9AM to 7PM / SAT 11AM to 5PM (EST)

service.fisher-price.com

Write to us at: Fisher-Price® Consumer Relations,
636 Girard Avenue, East Aurora, New York 14052.

Hearing-impaired consumers using TTY/TDD equipment,
please call 1-800-382-7470.

For countries outside the United States:

Canada: Mattel Canada Inc., 6155 Freemont Blvd.,
Mississauga, Ontario L5R 3W2; www.service.mattel.com.

Great Britain: Mattel UK Ltd, Vanwall Business Park,
Maidenhead SL6 4UB, Helpline: 01628 500303,
www.service.mattel.com/uk

Australia: Mattel Australia Pty. Ltd., 658 Church Street,
Locked Bag #870, Richmond, Victoria 3121 Australia.
Consumer Advisory Service 1300 135 312.

New Zealand: 16-18 William Pickering Drive,
Albany 1331, Auckland.

Asia: Mattel East Asia Ltd, Room 1106, South Tower,
World Finance Centre, Harbour City, Tsimshatsui, HK, China.

Fisher-Price, Inc., a subsidiary of Mattel, Inc.,
East Aurora, NY 14052 U.S.A.

©2007 Mattel, Inc. All Rights Reserved.

© and ™ designate U.S. trademarks of Mattel, Inc.

PRINTED IN CHINA

L7202pr-0920