

Please keep this instruction sheet for future reference, as it contains important information.

Adult assembly is required.

Requires three "AA" batteries (included).

Tool required for assembly:
Phillips screwdriver (not included).



Consumer Information



CONSUMER ASSISTANCE

Call toll free: 1-800-432-5437 (US & Canada only)
M-F 9AM to 7PM / SAT 11AM to 5PM (EST)

service.fisher-price.com

Write to us at: Fisher-Price® Consumer Relations,
636 Girard Avenue, East Aurora, New York 14052.

Hearing-impaired consumers using TTY/TDD equipment,
please call 1-800-382-7470.

For countries outside the United States:

Canada: Mattel Canada Inc., 6155 Freemont Blvd.,
Mississauga, Ontario L5R 3W2; www.service.mattel.com.

Great Britain: [Mattel UK Ltd, Vanwall Business Park,
Maidenhead SL6 4UB. Helpline: 01628 500303,
www.service.mattel.com/uk](http://www.service.mattel.com/uk)

Australia: Mattel Australia Pty. Ltd., 658 Church Street,
Locked Bag #870, Richmond, Victoria 3121 Australia.
Consumer Advisory Service 1300 135 312.

New Zealand: 16-18 William Pickering Drive,
Albany 1331, Auckland.

Asia: Mattel East Asia Ltd, Room 1106, South Tower,
World Finance Centre, Harbour City, Tsimshatsui, HK, China.

Before Use



CAUTION

Please keep small parts such as
plastic tabs out of children's reach.
Throw the plastic tab away.

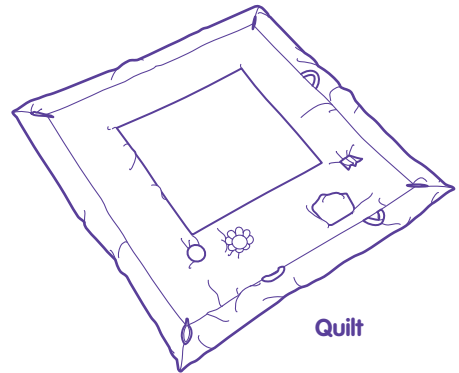
Note: A plastic tab is attached to the toy for in-store demonstration purposes. While the tab may have already been removed, check the back of the puppy to be sure. If the plastic tab is still attached, pull and remove the tab from the toy. Throw the plastic tab away.

Parts

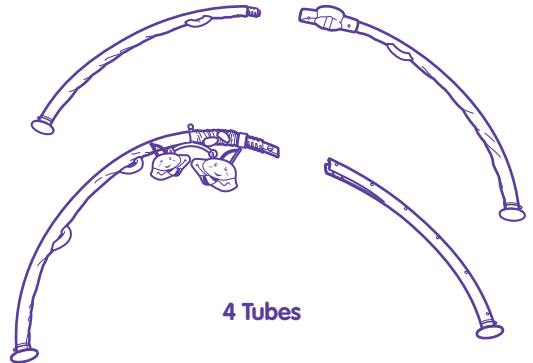


CAUTION

This package includes small parts in
its unassembled state. Adult assembly
is required.



Quilt



4 Tubes



Puppy

Parts Not Shown

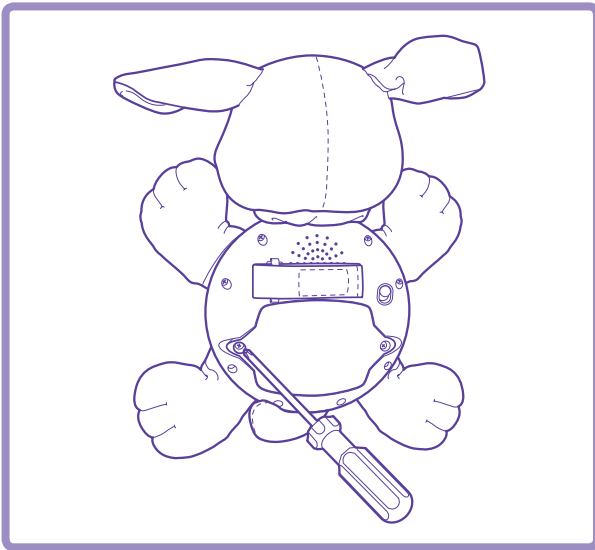
6 Linkable Toys
3 Soft Toys



#6 x 1/2" Screw - 2

Note: Tighten and loosen all screws with a Phillips
screwdriver. Do not over-tighten screws.

Battery Replacement



For best performance, we recommend replacing the batteries that came with this toy with three, new alkaline "AA" (LR6) batteries. We recommend using alkaline batteries for longer battery life.

- Locate the battery compartment door on the back of the puppy.
- Loosen the screws in the battery compartment door. Remove the battery compartment door.

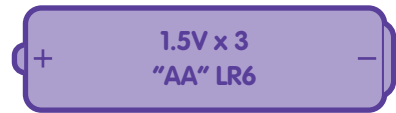
Hint: You may need to use the tip of the screwdriver to lift the battery compartment door.

- Insert three "AA" (LR6) **alkaline** batteries.
- Replace the battery compartment door and tighten the screws.
- When sounds or lights become faint or stop, it's time for an adult to change the batteries!



- Protect the environment by not disposing of this product with household waste (2002/96/EC). Check your local authority for recycling advice and facilities (Europe only).

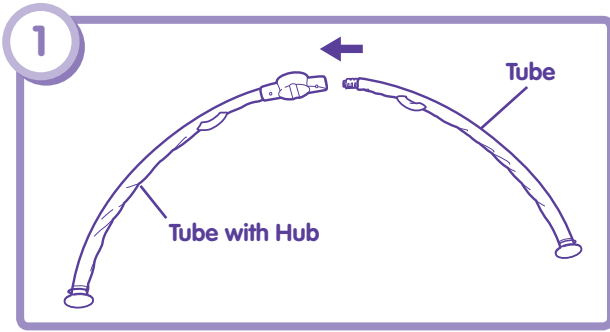
Battery Safety Information



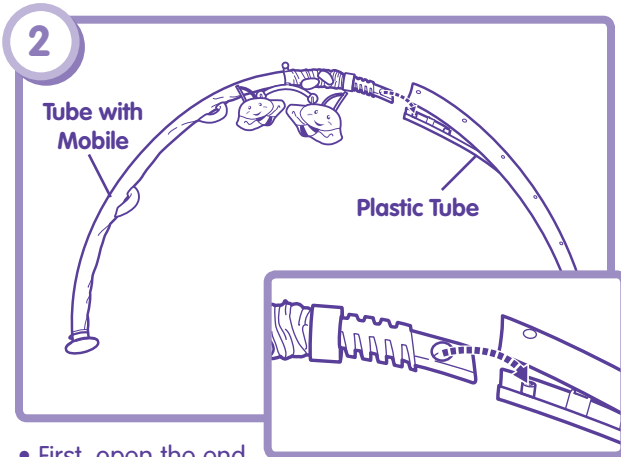
In exceptional circumstances, batteries may leak fluids that can cause a chemical burn injury or ruin your toy. To avoid battery leakage:

- Do not mix old and new batteries or batteries of different types: alkaline, standard (carbon-zinc) or rechargeable (nickel-cadmium).
- Insert batteries as indicated inside the battery compartment.
- Remove batteries during long periods of non-use. Always remove exhausted batteries from the toy. Dispose of batteries safely. Do not dispose of the product in a fire. The batteries inside may explode or leak.
- Never short-circuit the battery terminals.
- Use only batteries of the same or equivalent type, as recommended.
- Do not charge non-rechargeable batteries.
- Remove rechargeable batteries from the toy before charging.
- If removable, rechargeable batteries are used, they are only to be charged under adult supervision.

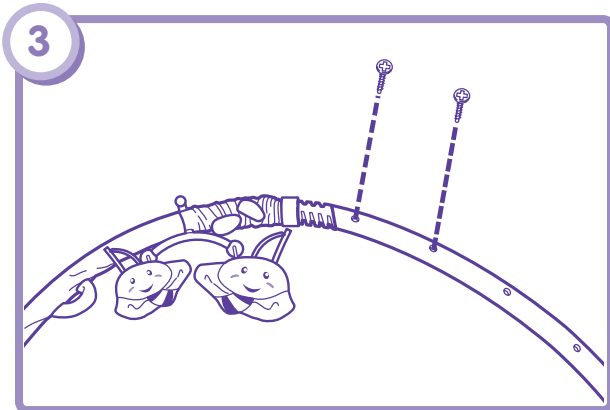
Assembly



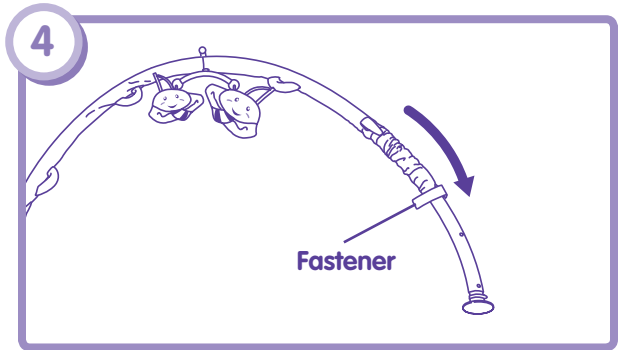
- “Snap” the tube into the tube with the hub.



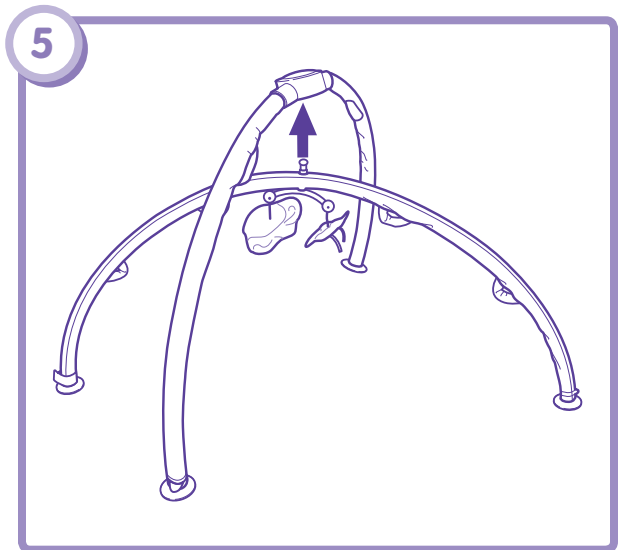
- First, open the end of the plastic tube so that you can see the peg.
- Then, fit the hole on the end of the tube with mobile over the peg on the plastic tube.



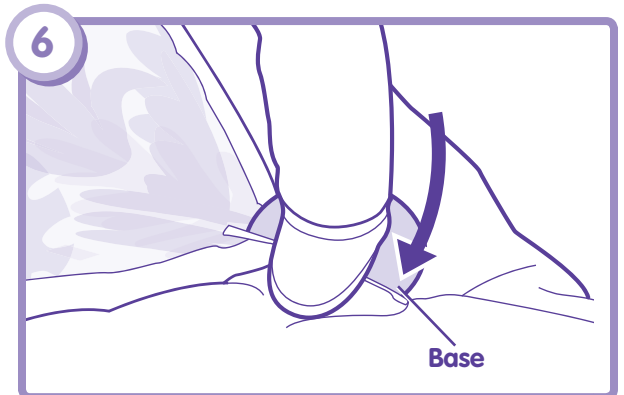
- Close the end of the plastic tube.
- Insert two screws into the plastic tube and tighten.



- Slide the fabric down the arch assembly. Then, secure the fastener around the end of the tube.



- Insert and “snap” the post on one arch assembly into the hub on the other arch.



- Insert the base ends of each arch into the slot in each corner of the quilt.

Start the Songs and Smiles!



WARNING

To prevent entanglement injury, never place gym in a crib or playpen. Never add strings, ties or other products to gym.

- Hang the linkable toys and soft toys from any of the loops around the gym.
- To attach the puppy to the gym, wrap the strap around the base of an arch and fold over to fasten.

Mode Switch

- Baby Activated** - Baby starts a short tune (and lights) by tapping or shaking the puppy!
- Parent Activated** - Choose this mode for 20 minutes of music (and lights)!
- Off**

Light Select Switch

- Lights On**
- Lights Off**

Volume Switch

- Low Volume**
- High Volume**

Song Select

- sing-a-long** Press this ear to choose playful sing-a-long songs.
- classical** Press this ear to choose classical music.

Care

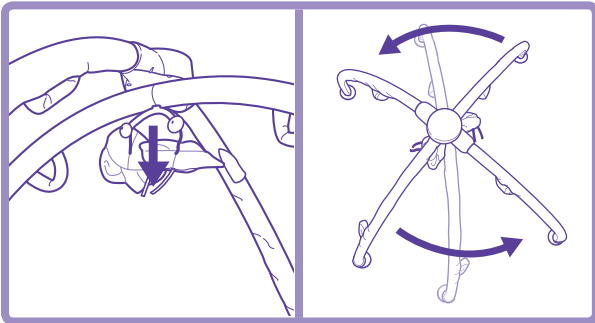
Quilt

- Remove the arches and toys from the quilt.
- Machine wash the quilt in a pillowcase in cold water on the gentle cycle. Do not use bleach. Line dry the quilt.

Linkable and Soft Toys, Puppy and Arches

- Wipe with a clean cloth dampened with a mild soap and water solution. Do not immerse.

Fold-Up Storage



- For easier storage, the gym arches fold up.
- Pull the lower arch down to unlatch the arches. Rotate the arches together.
- To set the gym back up, simply rotate the arches back into place.

FCC Statement

United States Only

This equipment has been tested and found to comply with the limits for a Class B digital device, pursuant to Part 15 of the FCC Rules. These limits are designed to provide reasonable protection against harmful interference in a residential installation. This equipment generates, uses and can radiate radio frequency energy and, if not installed and used in accordance with the instructions, may cause harmful interference to radio communications. However, there is no guarantee that interference will not occur in a particular installation. If this equipment does cause harmful interference to radio or television reception, which can be determined by turning the equipment off and on, the user is encouraged to try to correct the interference by one or more of the following measures:

- Reorient or relocate the receiving antenna.
- Increase the separation between the equipment and receiver.
- Consult the dealer or an experienced radio/TV technician for help.

Note: Changes or modifications not expressly approved by the manufacturer responsible for compliance could void the user's authority to operate the equipment.