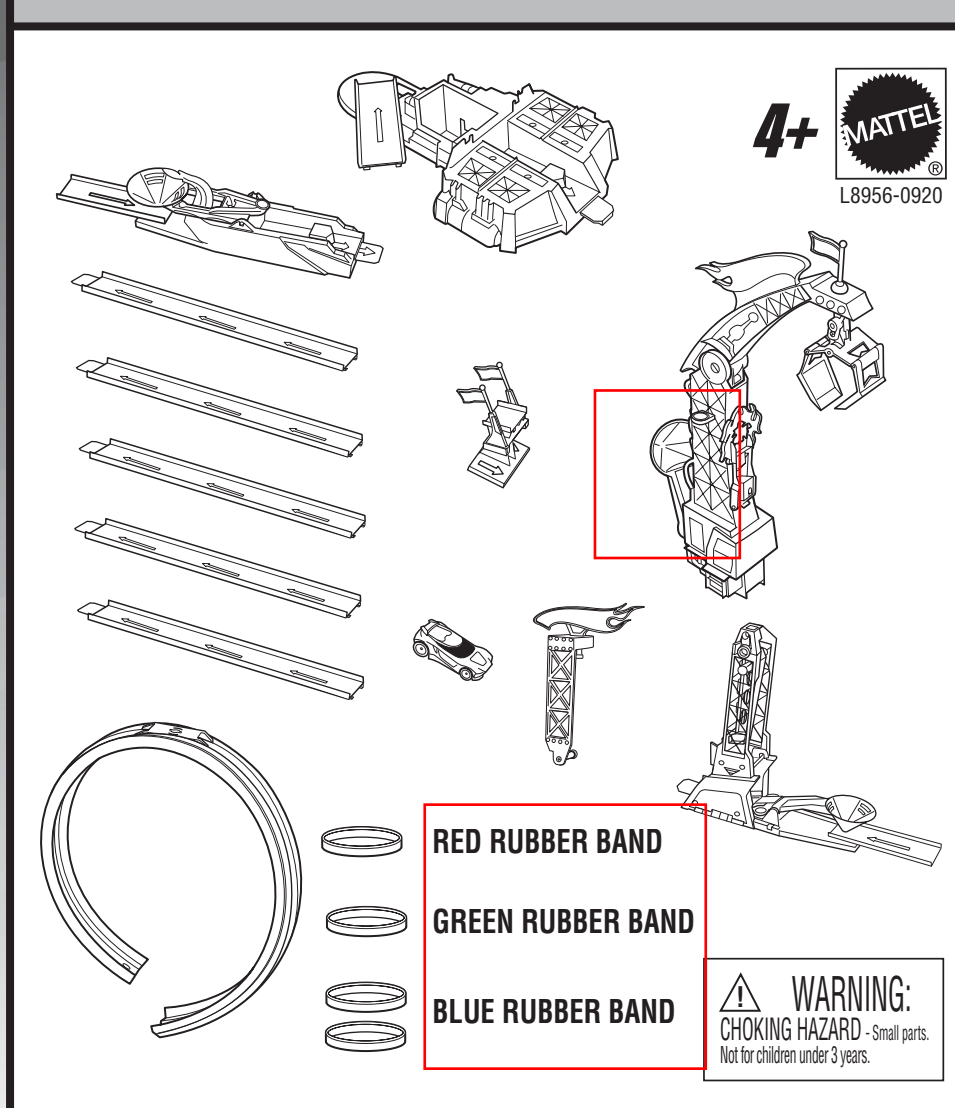


INSTRUCTIONS

Please keep these instructions for future reference as they contain important information.

CONTENTS



© 2007 Mattel, Inc. All Rights Reserved.

Mattel, Inc., 353 Continental Blvd., El Segundo, CA 90245 U.S.A. Consumer Relations 1 (800) 524-8697
 service.mattel.com • Mattel Canada Inc., Mississauga, Ontario L5R 3W2. You may call us free at 1-800-524-8697.
 • Mattel U.K. Ltd., Yattonville Business Park, Maidenhead SL6 4UB, Helpline 01628500303 • Mattel Australia Pty.
 Ltd., Richmond, Victoria, 3121 Consumer Advisory Service - 1300 135 312 • Mattel East Asia Ltd., Room 1106,
 South Tower, World Finance Centre, Harbour City, Tsimshatsui, HK, China. • Dimport & Diederik Olieh, Mattel
 SEA Ptd Ltd (895322-P) Lot 13.8, 13th Floor, Menara Lien Hoe, Persiaran Tropicana Golf Country Resort, 47410
 PJ, Tel:03-78803817, Fax:03-78803867.

ASSEMBLY

1.

2. **BLUE RUBBER BAND**

3.

4.

5. **5a** **5b**

6.

REPLACE RUBBER BAND

ADULT SUPERVISION REQUIRED.

GREEN RUBBER BAND

1. **2a**

2. **2b**

3.

RED RUBBER BAND

1. **2a**

2. **2b**

3.

GET READY TO PLAY

Trick Tracks are interchangeable and can be set up any way you want. Use your imagination to create lots of cool stunt combos!
 This set-up shows how to activate the Triple Stunt starter set.
 Note: All GREEN buttons are launch buttons and all reset buttons are RED.

a **b** **c** **d** **e** **f** **g** **h** **i**

INSTRUCTION SHEET SPECIFICATIONS

Title:	L8956
Part No.:	L8956
File No.:	327W.L11.H
Folder No.:	S.S.W.L11.H
Type of Part:	Accessories
Quantity:	10 x 15
Color:	Black
Page Count:	Whole 09/04
Print No.:	3010

TO PLAY

OPTION 1

Press green button (1c) to launch your car.

Note: All GREEN buttons are launch buttons and all reset buttons are RED.

1a **1b** **1c** **1d** **1e** **1f**

GREEN BUTTON

OPTION 2

2a **2b** **2c**

GREEN BUTTON

OPTION 3

3a **3b** **3c**

GREEN BUTTON

OPTION 4

Load cars onto set as shown (4c, 4e).

4a **4b** **4c** **4d** **4e** **4f**

Press down on the green button (4f). Watch as the crane lifts your car then releases it to smash the cars below!

GREEN BUTTON

EASY TO CREATE MANY STUNT COMBOS!