



4+



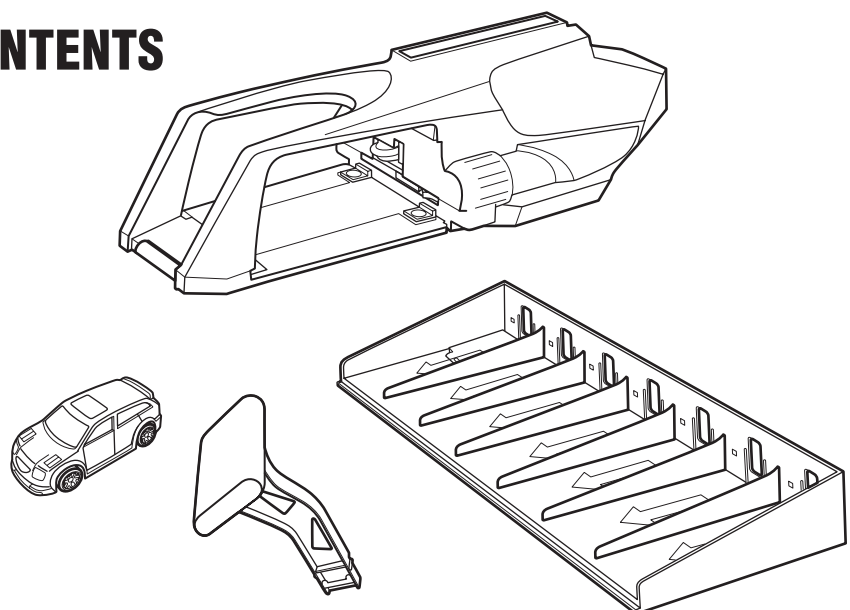
L8973-0920

RAPID-FIRE LAUNCHER

INSTRUCTIONS

Please keep these instructions for future reference as they contain important information.

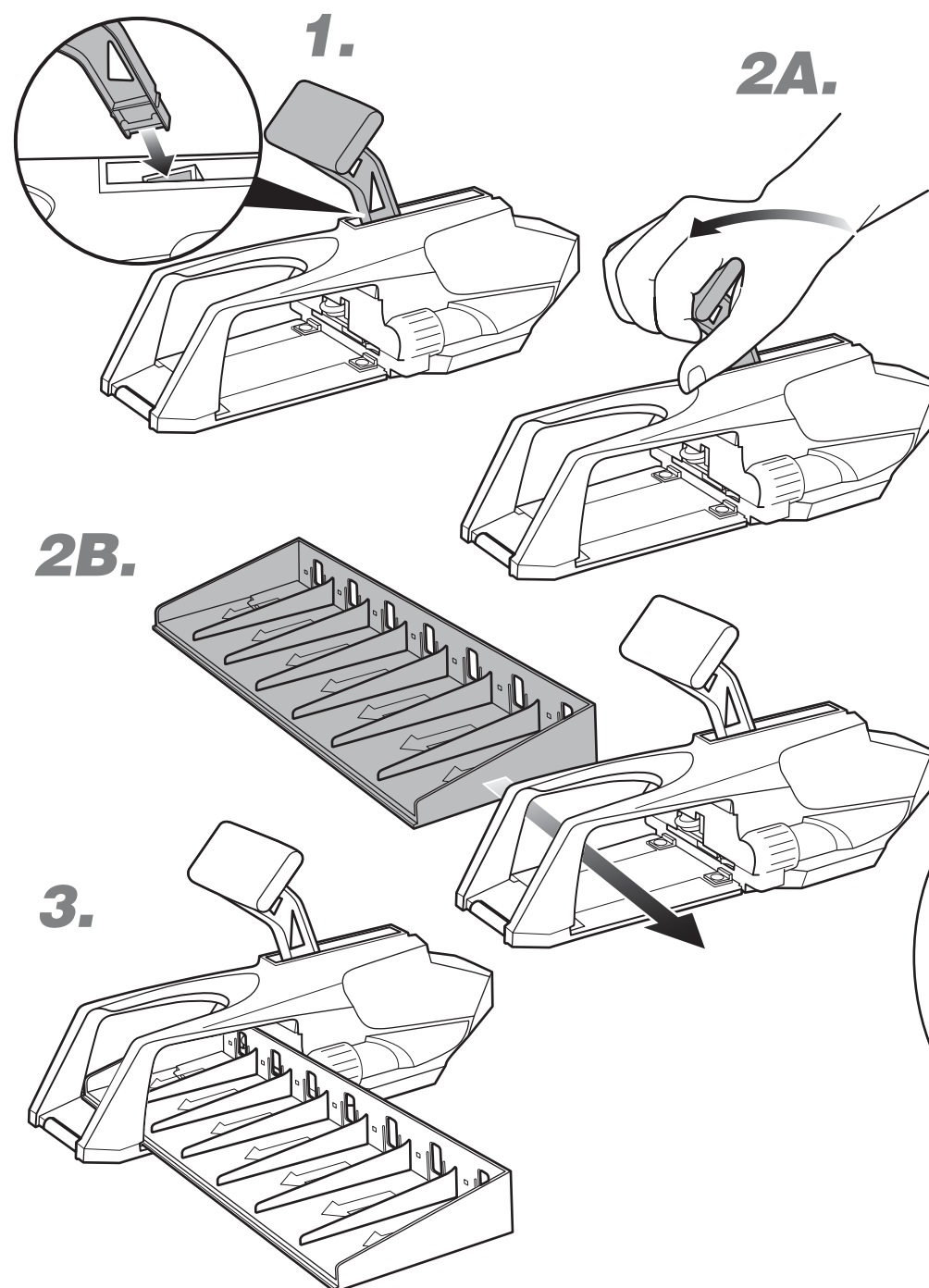
CONTENTS



© 2008 Mattel, Inc. All Rights Reserved.

Mattel, Inc., 333 Continental Blvd., El Segundo, CA 90245 U.S.A. Consumer Relations 1 (800) 524-8697 service.mattel.com • Mattel Canada Inc., Mississauga, Ontario L5R 3W2. You may call us free at 1-800-524-8697. • Mattel U.K. Ltd., Vanwall Business Park, Maidenhead SL6 4UB. Helpline 01628500303 • Mattel Australia Pty., Ltd., Richmond, Victoria, 3121. Consumer Advisory Service - 1300 135 312. • Mattel East Asia Ltd., Room 1106, South Tower, World Finance Centre, Harbour City, Tsimshatsui, HK, China. • Diimport & Diedarkan Oleh: Mattel SEA Ptd Ltd.(993532-P) Lot 13.5, 13th Floor, Menara Lien Hoe, Persiaran Tropicana Golf Country Resort, 47410 PJ. Tel:03-78803817, Fax:03-78803867.

ASSEMBLY

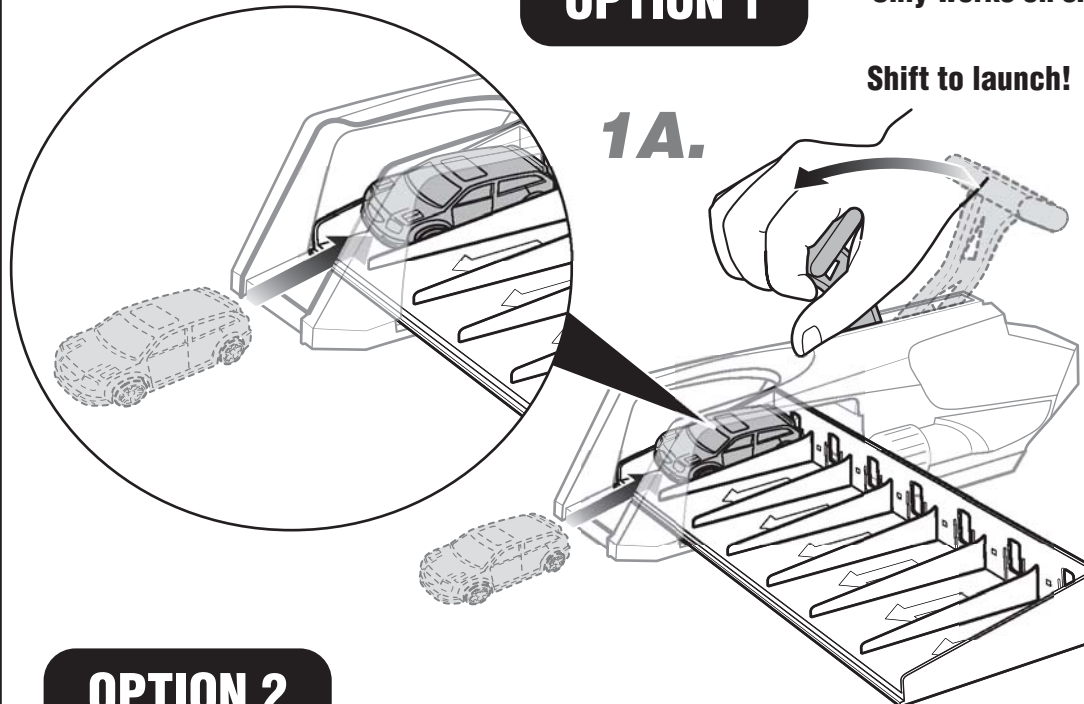


TO PLAY

OPTION 1

Only works on smooth, flat surfaces.

1B.

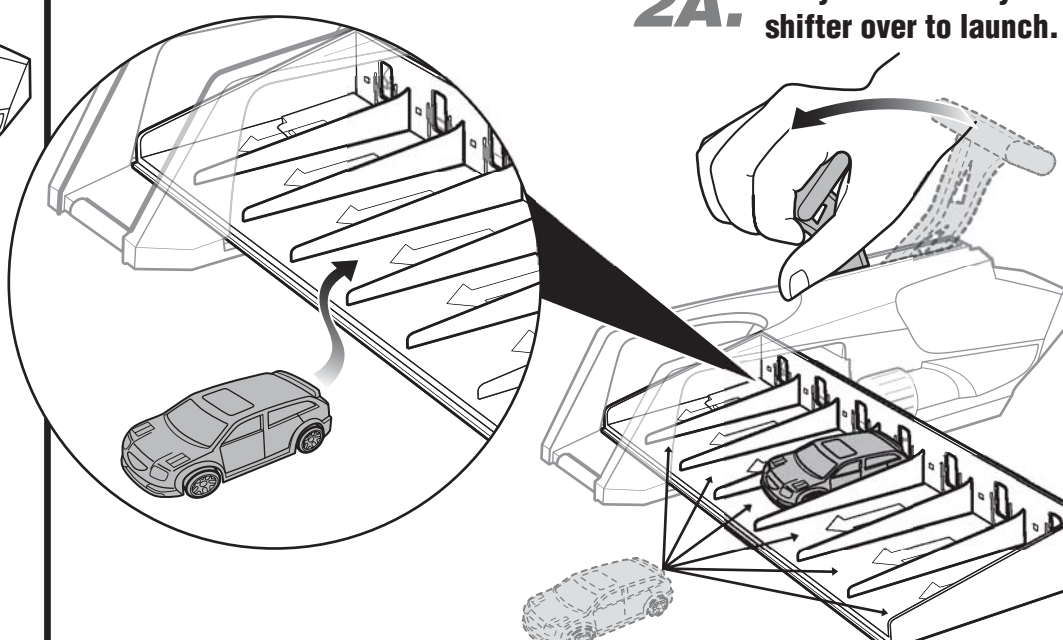


Shift to launch!

OPTION 2

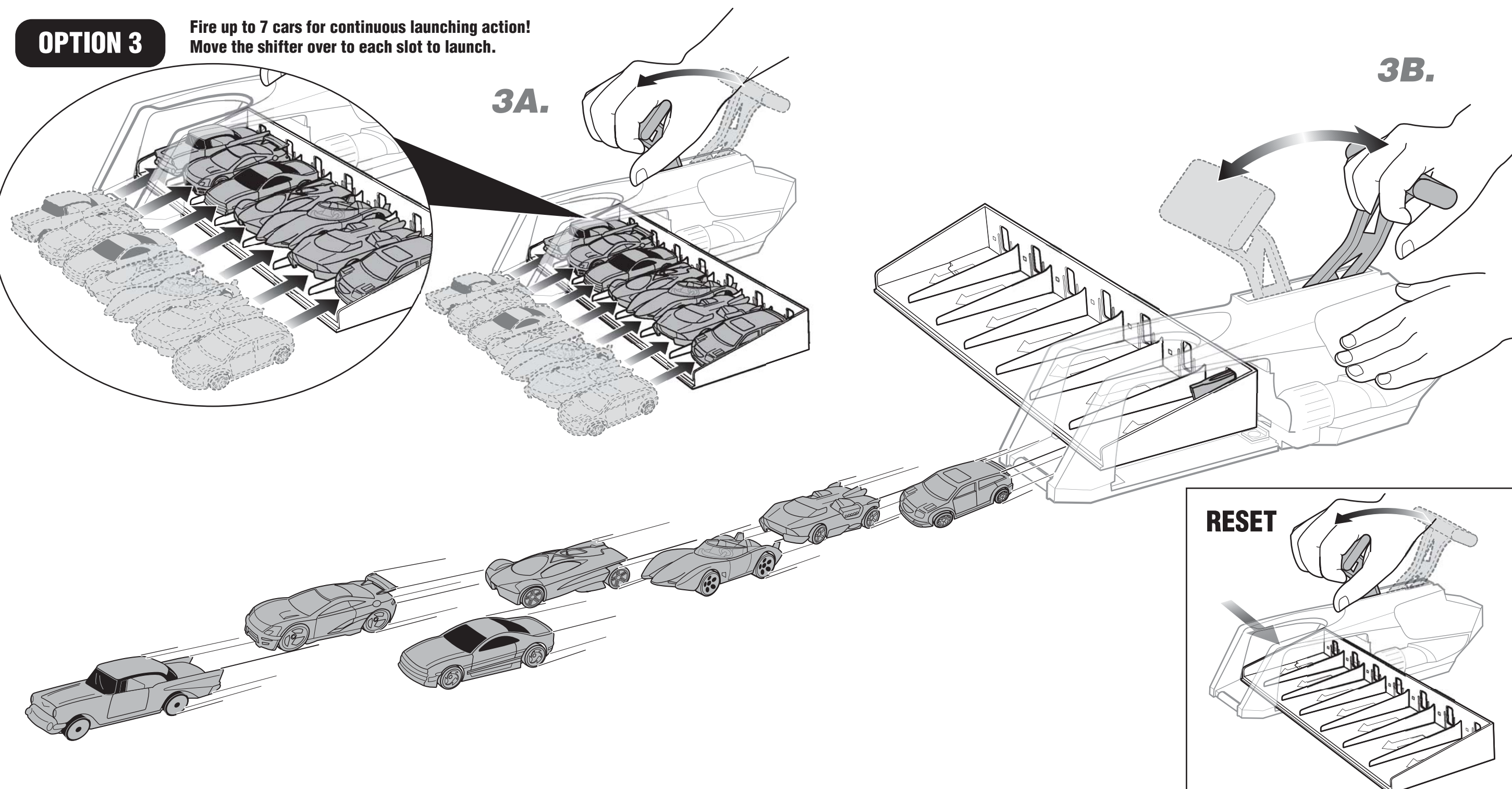
2A. Put your car in any slot then move the shifter over to launch.

2B.

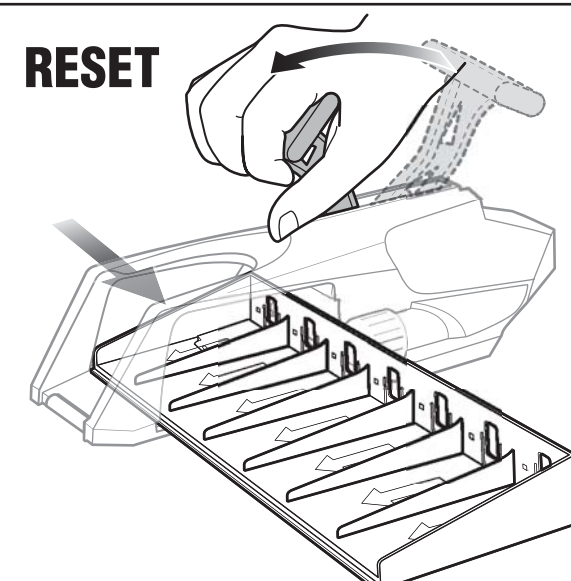


OPTION 3

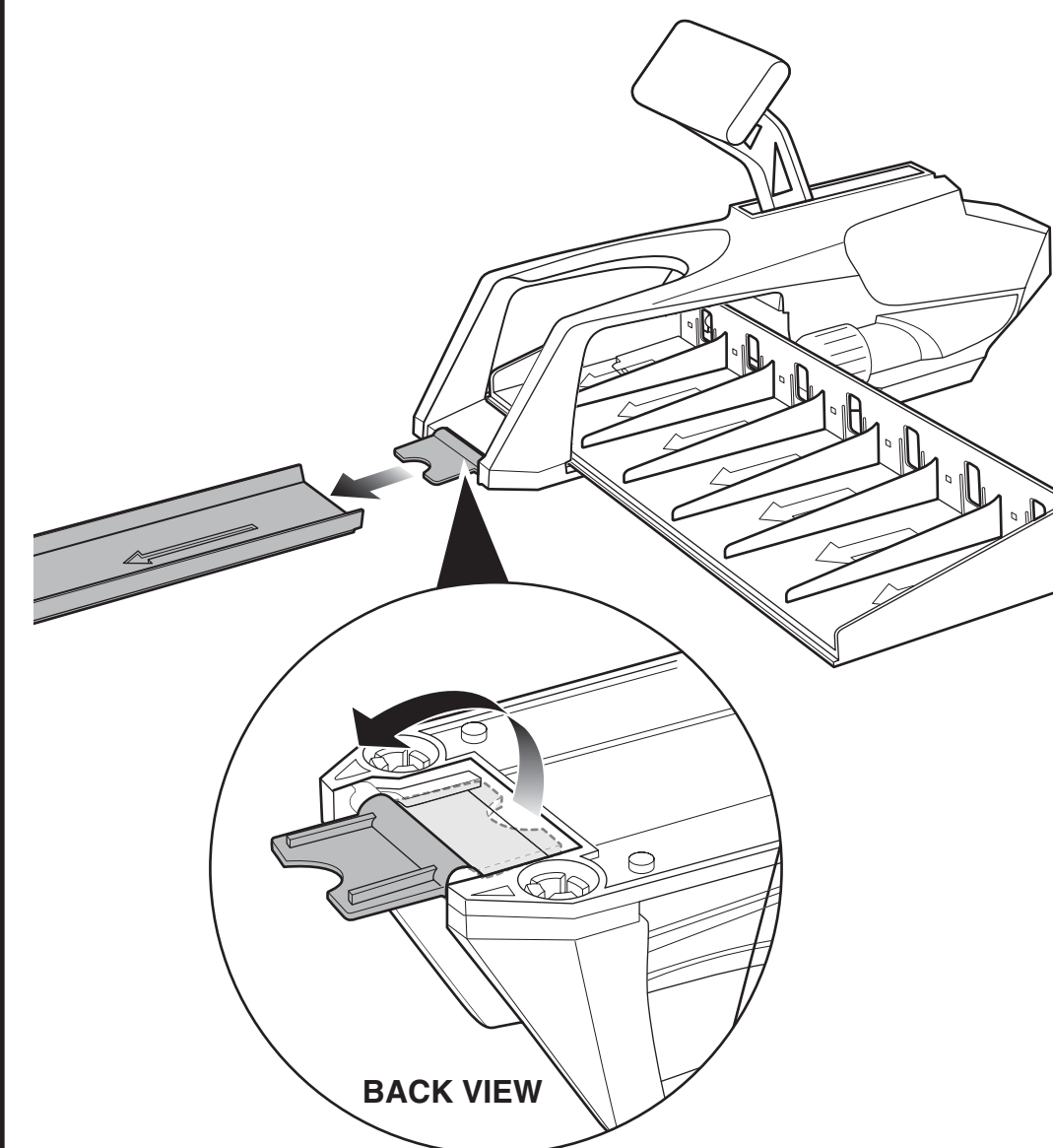
Fire up to 7 cars for continuous launching action! Move the shifter over to each slot to launch.



RESET



CONNECTS TO HOT WHEELS® TRACK!



NOT FOR USE WITH SOME HOT WHEELS® VEHICLES.

INSTRUCTION SHEET SPECIFICATIONS	
Toy No.:	L8973
Part No.:	0920
Trim Size:	22" W x 8.5" H
Folded Size:	5.5" W x 8.5" H
Type of Fold:	accordion
# colors:	1C, 1IC
Colors:	Black
Paper Stock:	White Offset
Paper Weight:	80 lb.
EDM No.:	