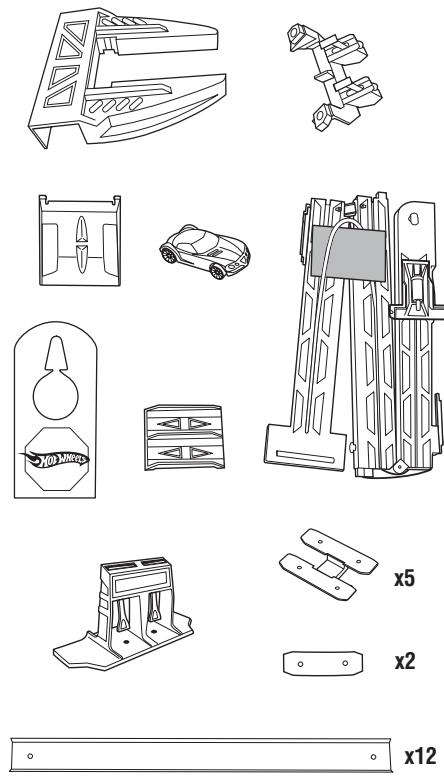




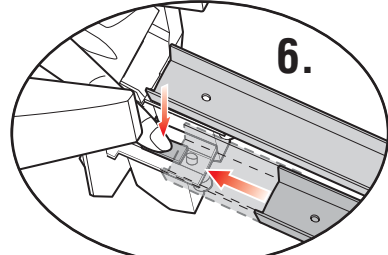
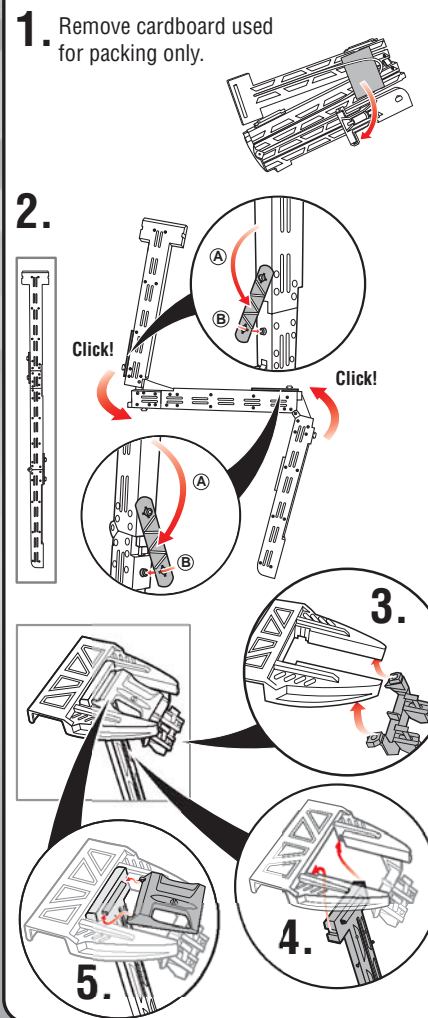
INSTRUCTIONS

Please keep these instructions for future reference as they contain important information.

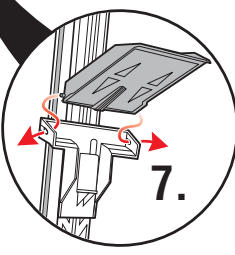
CONTENTS



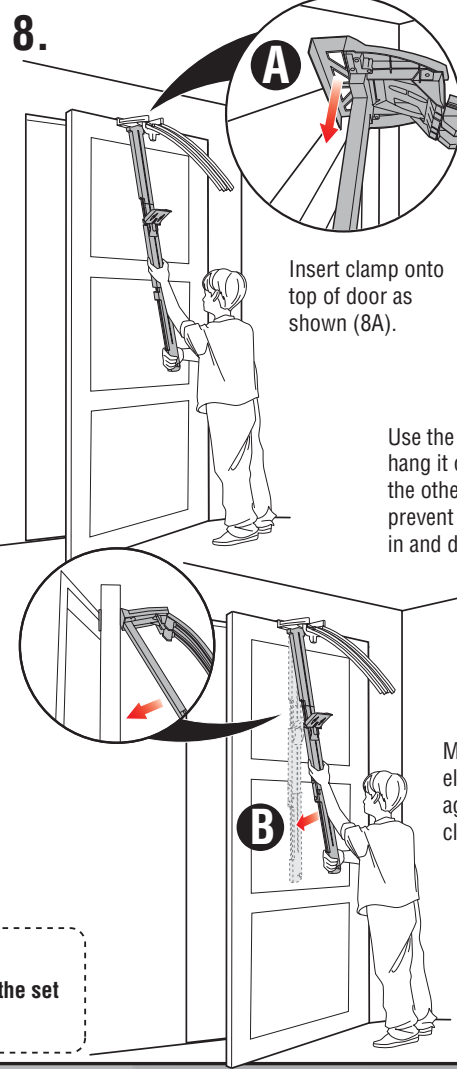
TO ASSEMBLE



6. Push button down and slide track pieces in as shown (6). Please note that the track may not align perfectly with raised dimple.



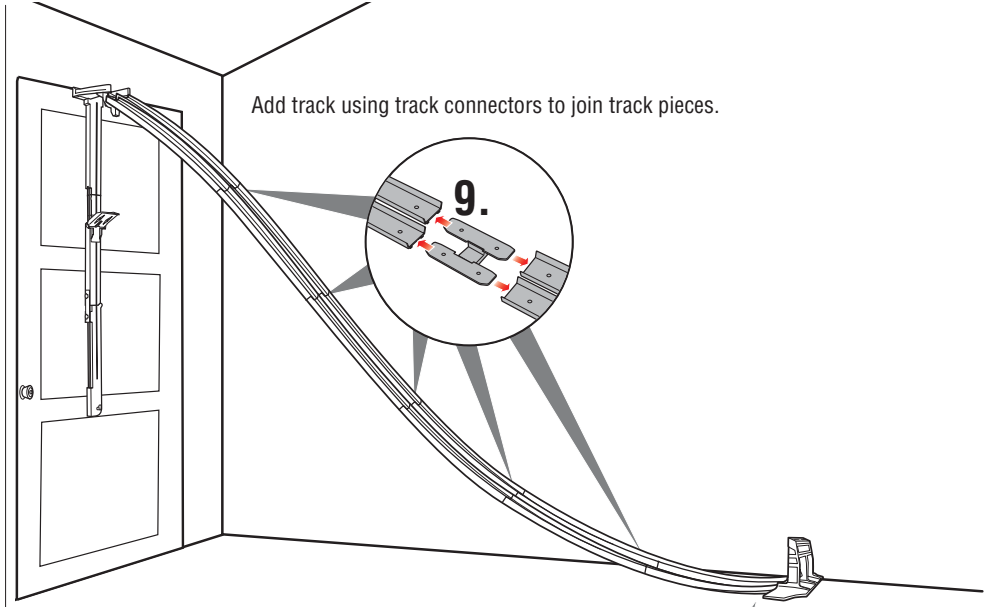
7. Make sure that the elevator is flush against the door then close the door (8B).



8. Insert clamp onto top of door as shown (8A).

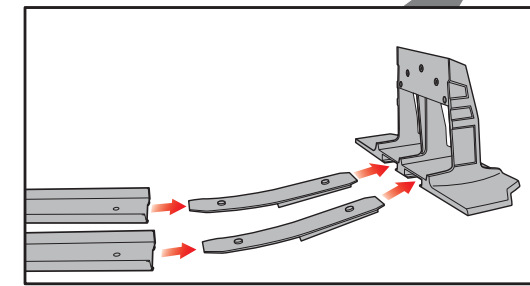
Use the door tag enclosed and hang it on the doorknob on the other side of the door to prevent people from walking in and disrupting play.

Add track using track connectors to join track pieces.



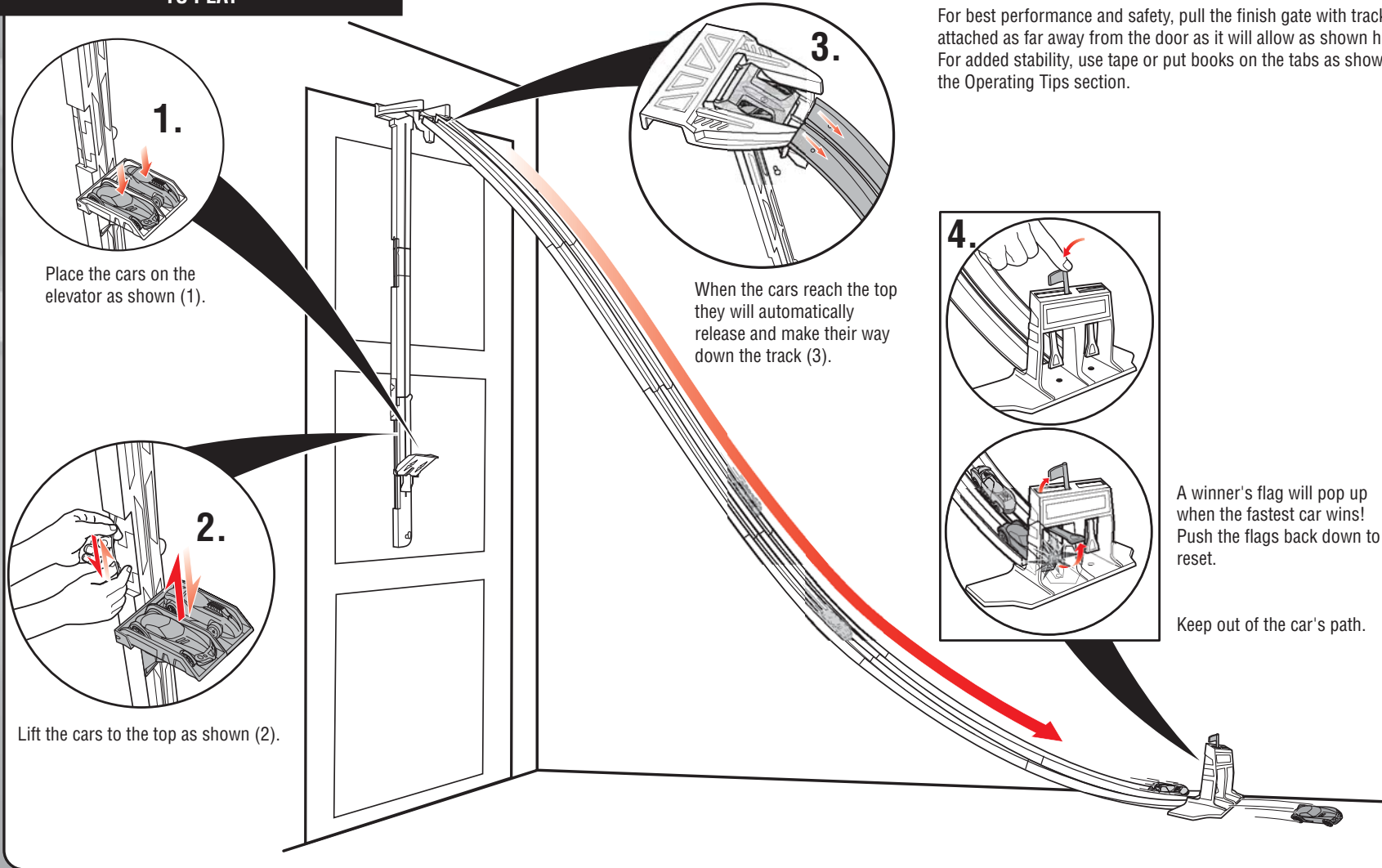
As you add the track, pull the track out away from the door and make sure it is perfectly straight.

10. Make sure that the track is inserted completely and aligned properly.



ADULTS PLEASE NOTE: Younger children may need help placing the set over the top of the door.

TO PLAY

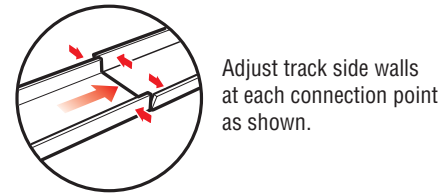


For best performance and safety, pull the finish gate with track attached as far away from the door as it will allow as shown here. For added stability, use tape or put books on the tabs as shown in the Operating Tips section.

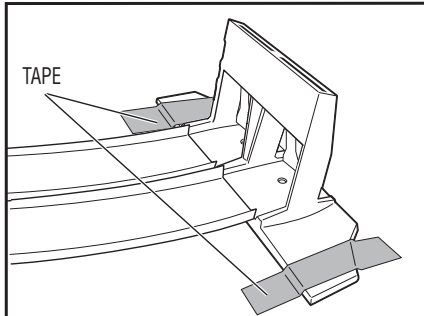
A winner's flag will pop up when the fastest car wins! Push the flags back down to reset.

Keep out of the car's path.

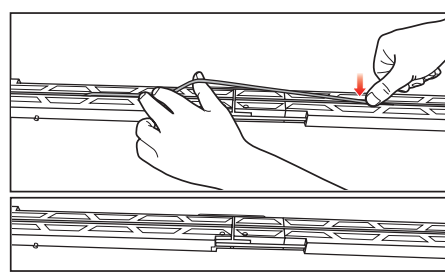
OPERATING TIPS



Adjust track side walls at each connection point as shown.



TO STABILIZE SET: On carpet, use books. On smooth floor or surface, tape base to surface.



If rope comes undone, straighten out the rope and push back in as shown.

STORAGE

Fold down for easy storage after use.

