

Kid-Tough[™]
digital
camera



Fisher-Price

www.fisher-price.com

Table of Contents

Getting Started

Introduction	3
Tips for Better Images	4
Package Contents	5
Your Camera	6
Specifications	9

Setting Up Your Camera

"AA" (LR6) Battery Installation	10
CR2032 Battery Installation	12
Battery Safety Information	14
SD Card Installation	15
SD Card Use	17

Using Your Camera

Turning the Camera On and Off	19
Taking a Picture	20
Using the Flash	21
Reviewing or Deleting Pictures	22
Changing Picture Resolution	24

Transferring Pictures to Your Computer

System Requirements	25
Connecting Your Camera to Your Computer	26
Disconnecting Your Camera	27

Troubleshooting

Problems and Solutions	28
Care	30
FCC Statement	31
Consumer Information	32

Introduction

- Please keep this instruction booklet for future reference, as it contains important information.
- Requires four “AA” (LR6) **alkaline** batteries (not included) and one CR2032 lithium button cell battery (included).
- Adult assembly is required for battery installation.
- Tool required for battery installation: Phillips screwdriver (not included). Loosen and tighten screws with a Phillips screwdriver. Do not over-tighten the screws.
- When your camera is connected to your computer, you can delete or copy pictures by accessing your camera as a removable storage device.
- For additional picture storage, this camera accepts a Secure Digital (SD) card (64 MB card included).



CAUTION

This package contains small parts in its unassembled state.
Adult assembly is required.

Tips for Better Images!

Before your child uses the camera independently, we recommend that you first thoroughly read these instructions. Explain to your child how to use the camera and then practice taking pictures with your child.

1. Use Bright Light Indoors

Make sure there is a bright light source when taking indoor pictures. The light source (sun, lamp or window) should be above or facing your picture subject. Do not place your picture subject in front of the light source since the picture subject will look dark in your photo.

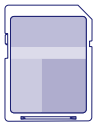
2. Hold Still

Make sure the picture taker and the picture subject aren't moving. Also be sure your child holds the camera with two hands.

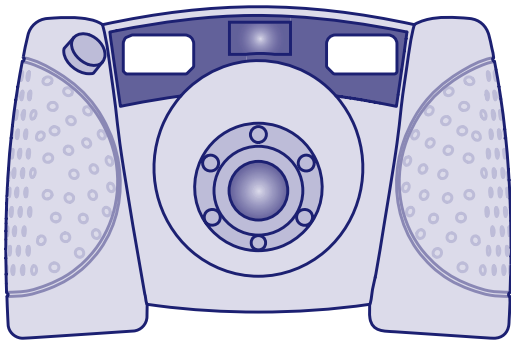
3. Proper Distance

Center the picture subject on the LCD screen. The picture subject should be no closer than 4 feet (1.22 m) from camera. For flash pictures, make sure your subject is no further than 7.5 feet away (2.23 m).

Package Contents



SD Card



Camera



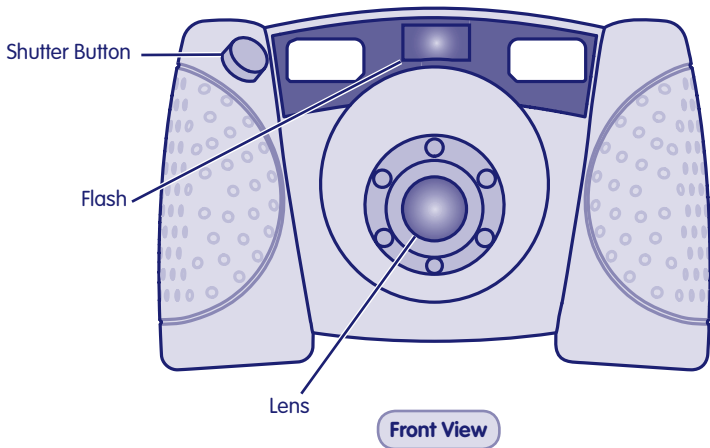
CR2032 Lithium Button Cell Battery
(For adult assembly only.)



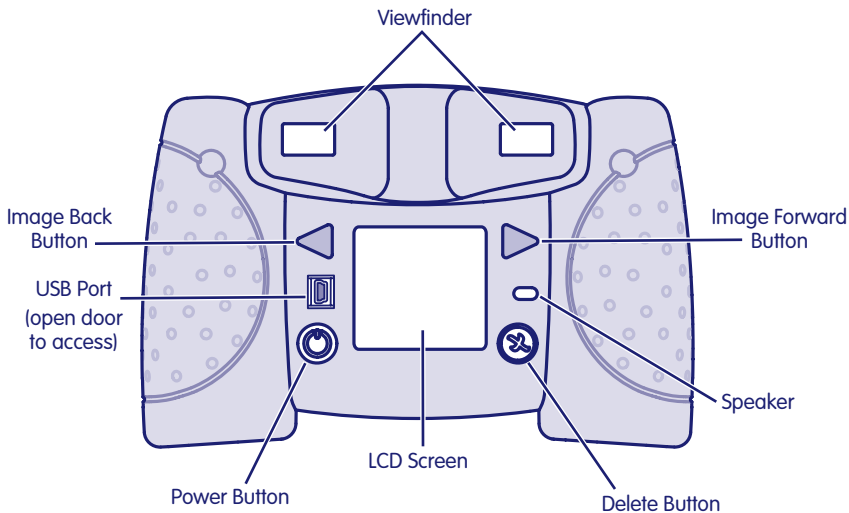
USB Cable
(This is not a toy.)

Your Camera

The Kid Tough™ Digital Camera is picture-perfect for your little one! It's a real digital camera with a durable, drop resistant design. It's a perfect way for kids to get creative by taking, viewing and even printing their own digital pictures!

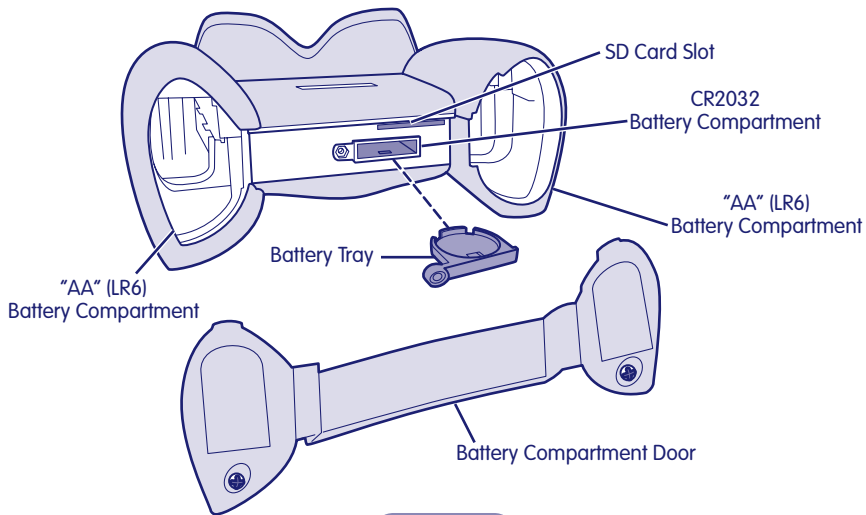


Your Camera



Back View

Your Camera

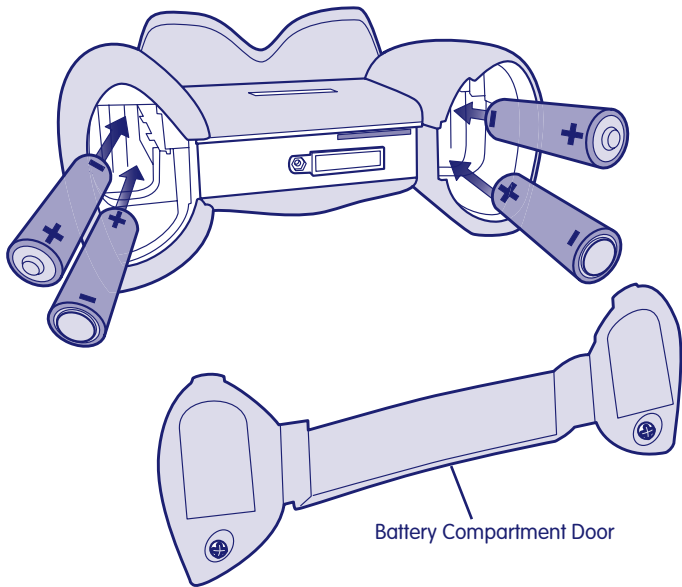


Bottom View

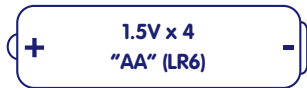
Specifications

Picture Resolution	640 x 480 (standard resolution setting) or interpolated 1.3 megapixels (high resolution setting).
Memory.....	8 MB SDRAM (internal memory), 128 MB with SD card (included).
Lens	4.8 mm, $f = 2.6$
Focus Range	4 ft. (1.22 m) - infinity
LCD Screen	1.6" color LCD preview
Connectivity.....	USB (version 1.1 or higher)
Batteries	4 "AA" (LR6) alkaline batteries 1 CR2032 lithium button cell battery
Flash Range	4 ft. - 7.5 ft. (1.22 m - 2.23 m)
Camera Dimensions	W - 5.5" (14 cm) x D - 3.0" (7.6 cm) x H - 3.375" (8.57 cm)
Camera Weight	10.44 oz. (296 g) (without batteries or SD card)

"AA" (LR6) Battery Installation




"AA" (LR6) Battery Installation



- Make sure camera power is off.
- Locate the battery compartment door on the bottom of the camera.
- Loosen the screws in the battery compartment door a 1/4 turn. Remove the battery compartment door.
- Insert four "AA" (LR6) **alkaline** batteries.

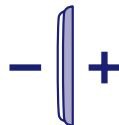
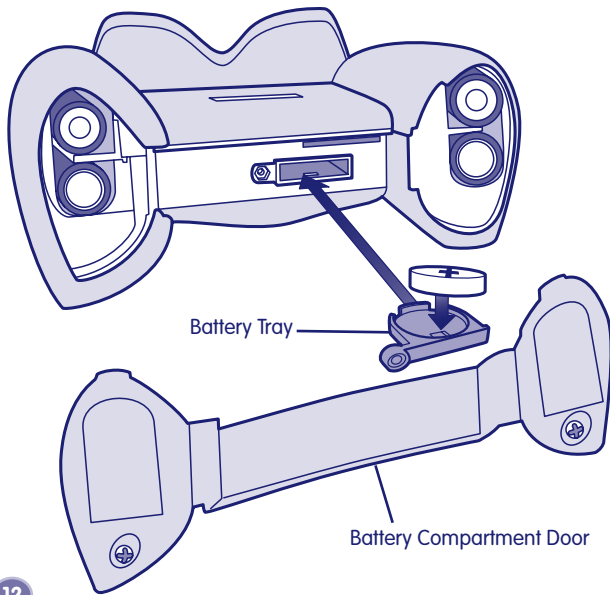
Hint: We recommend using **alkaline** batteries for longer battery life. Do not use rechargeable batteries.

- Replace the battery compartment door and tighten the screws a 1/4 turn.
- When the low battery indicator appears on the LCD screen , it's time for an adult to change the batteries.



- Protect the environment by not disposing of this product with household waste (2002/96/EC). Check your local authority for recycling advice and facilities (Europe only).

CR2032 Battery Installation



3 V
CR2032

CR2032 Battery Installation

The CR2032 lithium button cell battery provides power to your camera when you change the “AA” (LR6) batteries to ensure no pictures are lost. If you find that your camera loses pictures when you change the “AA” (LR6) batteries, it's time to change the CR2032 lithium button cell battery.

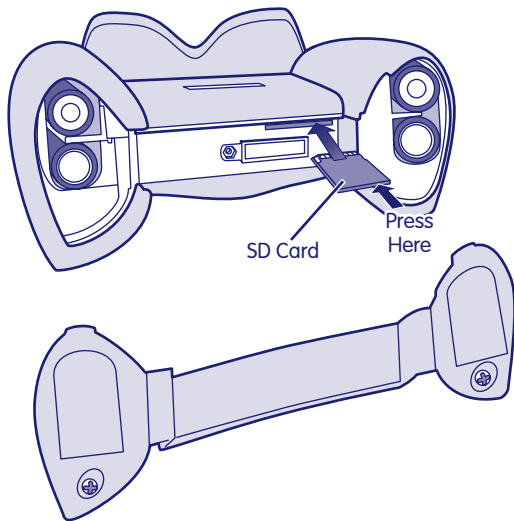
- Make sure camera power is off.
- Loosen the screws in the battery compartment door a 1/4 turn. Remove the battery compartment door.
- Locate the battery tray inside the bottom of the camera.
- Loosen the screw in the battery tray and pull to remove the battery tray.
- Insert one CR2032 lithium button cell battery.
- Replace the battery tray and tighten the screw.
- Replace the battery compartment door and tighten the screws a 1/4 turn.

Battery Safety Information

In exceptional circumstances, batteries may leak fluids that can cause a chemical burn injury or ruin your toy. To avoid battery leakage:

- Do not mix old and new batteries or batteries of different types: alkaline, standard (carbon-zinc) or rechargeable (nickel-cadmium).
- Insert batteries as indicated inside the battery compartment.
- Remove batteries during long periods of non-use. Always remove exhausted batteries from the toy. Dispose of batteries safely. Do not dispose of this product in a fire. The batteries inside may explode or leak.
- Never short-circuit the battery terminals.
- Use only batteries of the same or equivalent type, as recommended.
- Do not charge non-rechargeable batteries.
- Remove rechargeable batteries from the toy before charging.
- If removable, rechargeable batteries are used, they are only to be charged under adult supervision.


SD Card Installation



SD Card Installation

- The SD card allows you to store more pictures on your camera.
- Make sure the camera is turned off.
- Loosen the screws in the battery compartment door a 1/4 turn. Remove the battery compartment door.
- Gently insert an SD card into the slot in the camera bottom, as shown. Gently press the SD card.
You will feel a click when the SD card is in place.

Note: The card will fit in the slot only one way. Please insert the card carefully.

- Replace the battery compartment door and tighten the screws a 1/4 turn.
- When you turn the camera back on, the card  will appear on the LCD screen.
- To remove the SD card, gently press the end of the card and it will “pop” out.

SD Card Use

Your Kid Tough™ Digital Camera comes with a 128 MB SD card for image storage. You can add higher capacity SD cards for even more storage, up to 1 GB (sold separately). Here is the approximate storage capacity with typical SD cards:

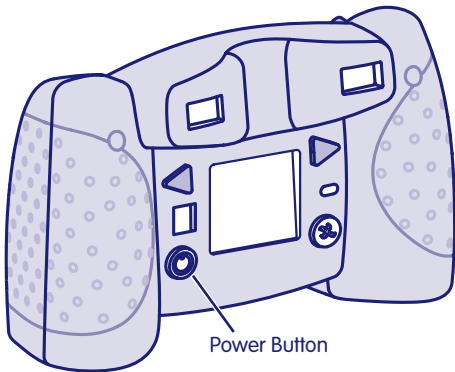
	Standard Resolution	❖ High Resolution
8 MB.....	68 pictures	21 pictures
16 MB	136 pictures.....	42 pictures
32 MB	272 pictures	84 pictures
64 MB	544 pictures	168 pictures
128 MB.....	1088 pictures.....	336 pictures
256 MB	2176 pictures.....	672 pictures
512 MB.....	4352 pictures.....	1344 pictures
1 GB	8500 pictures.....	2688 pictures

SD Card Use

Notes:

- Do not use "high speed" SD cards or SD cards with a capacity higher than 1 GB.
- If you use your Kid Tough™ Digital Camera with an SD card, pictures already stored in your camera's memory are not visible. To see them again, simply remove the SD card.
- When using an SD card from another camera, pictures already on the SD card may be lost when inserted into the Kid Tough™ Digital Camera. We recommend **using a new SD card with this camera.**

Turning the Camera On and Off



Power Button

- Press the power button on the back of the camera to turn power on. You will hear a tone.
- To turn power off, press and hold the power button until you hear a tone.

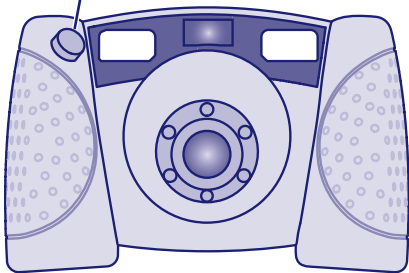
Hint: If you have not used the camera for a while, it shuts off automatically. To turn it back on, simply press the power button.

Taking a Picture

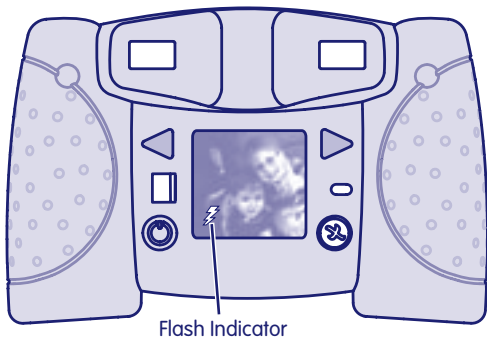
- Have your child look through the viewfinder or look at the LCD screen to see the picture subject.
- While holding the camera steady, press the shutter button on the front of the camera. Listen for a “shutter sound” and look for the camera 📷 icon on the LCD screen.
- The picture you just took will stay on the LCD screen for a few seconds so you can make sure you “got the shot.”

Hint: The number on the LCD screen indicates the number of pictures taken.

Shutter Button



Using the Flash



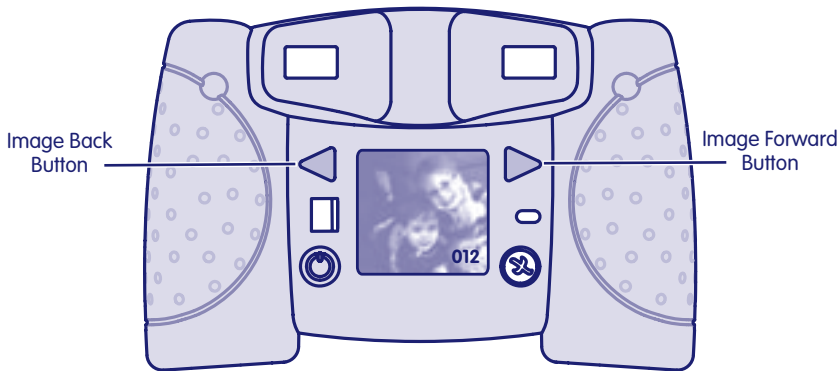
Flash Indicator

- If you are taking pictures in low light (dim light) and the flash is required, the flash will operate automatically. A lightning bolt ⚡ appears on the LCD screen and blinks until the flash is ready.
- While holding the camera steady, press the shutter button to take a picture.

Hint: The flash works best when your picture subject is about 4 ft. - 7.5 ft. (1.22 m - 2.23 m) from the camera.

- When the batteries are getting weak, the flash will not fully charge and the “no flash” lightning bolt ⚡ appears on the LCD screen. You can continue to take pictures without a flash but you will need to change batteries soon (see page 10).

Reviewing Pictures



- Press the image forward or image back buttons to review the pictures you have taken.
- When you are finished reviewing, the camera switches back to normal picture taking mode in a few seconds.

Deleting Pictures

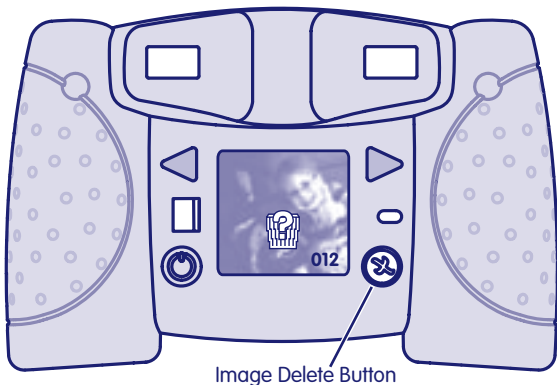





Image Delete Button

- If you decide you do not want a picture, first locate it by using the image forward or back buttons.
- Then press the image delete button . A trash can with a question mark  appears on the LCD screen.
- If you want to delete the picture press the image delete button again.
- If you decide you do not want to delete a picture, simply wait a few seconds and the trash can disappears.

Changing Picture Resolution

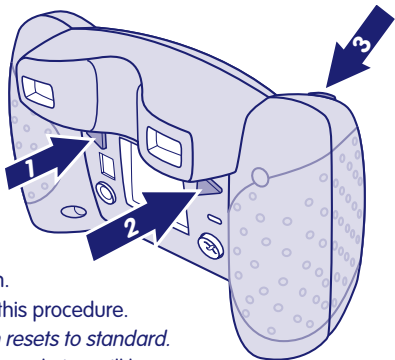
Your camera comes set up to take normal quality pictures (standard resolution). If you'd like to take higher quality pictures (high resolution), follow these steps.

- Press the image back and image forward at the same time and hold (1 and 2).
- Press the shutter release button (3). You'll hear a tone.
- The high resolution icon appears on the LCD screen .
- You are ready to take pictures in high resolution.
- To change back to standard resolution, repeat this procedure.

Note: When you change batteries, the resolution resets to standard.

- When reviewing pictures, images taken in high resolution will have the high resolution icon  shown on the LCD screen.

Note: High resolution images use up more memory. For more information about image capacity, see the chart on page 17.





System Requirements

Operating System..... Windows 2000, Windows XP, Windows Vista™ and Macintosh

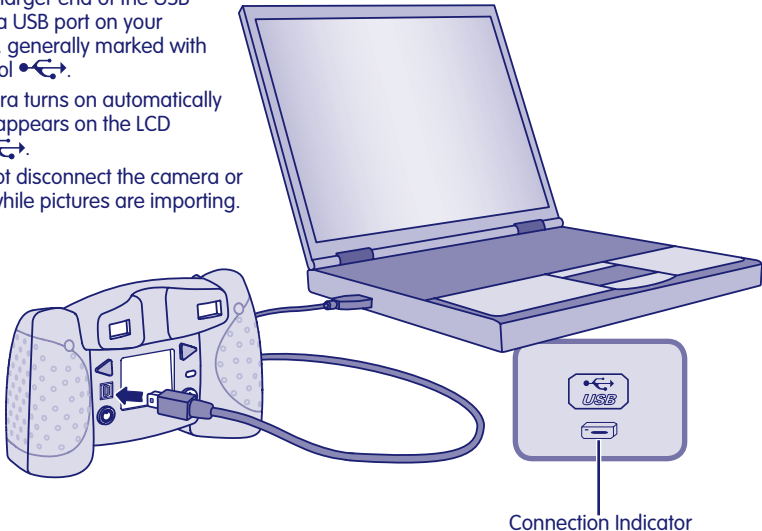
Input Port..... USB (version 1.1 or higher)

Note: Use any image editing software to manage or edit your photos.

Connecting Your Camera to Your Computer

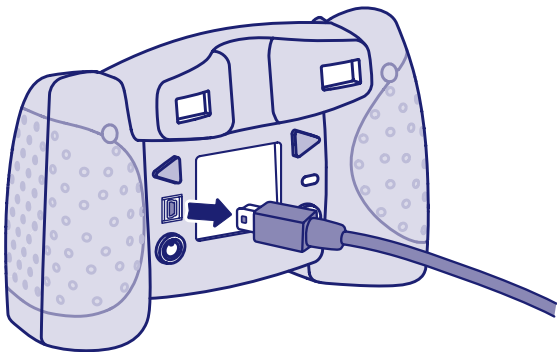
- Locate the USB door on the back of the camera.
- Slide the door open and insert the USB cord (smaller end) into the USB port.
- Insert the larger end of the USB cord into a USB port on your computer, generally marked with this symbol .
- The camera turns on automatically and USB appears on the LCD screen .

Note: Do not disconnect the camera or computer while pictures are importing.






Disconnecting Your Camera

- To disconnect your camera, click “eject disk”  on your computer's task bar.
- Select the “USB Mass Storage Device” (your camera) and click “stop”.
- Click “OK” to confirm.
- A message will appear on your computer screen advising you to remove your device (camera).




- Unplug the USB cord from your computer, then your camera. The camera shuts off automatically.
- Note:** Use any image editing software to manage or edit your photos.

Troubleshooting

Problem	Cause	Solution
Camera will not take pictures	Batteries are weak or exhausted 	Replace the batteries in the camera with four, new "AA" (LR6) alkaline batteries.
	Camera is turned off	Press the power button on the back of the camera to turn it on.
	Camera memory or SD card is full of images (  appears on the LCD screen)	Download pictures to your computer or use the delete button on the camera to remove some of them.
Photos too dark	Flash does not work because batteries are weak or exhausted	Replace the batteries in the camera with four, new "AA" (LR6) alkaline batteries.
	You are out of the range of the flash	The range of the flash is about 4 ft. - 7.5 ft. (1.22 m - 2.23 m).
Photos too bright	You are too close to your subject	The range of the flash is about 4 ft. - 7.5 ft. (1.22 m - 2.23 m).
Flash takes too long to recharge	Batteries are weak or exhausted	Replace the batteries in the camera with four, new "AA" (LR6) alkaline batteries.

Troubleshooting

Problem	Cause	Solution
Photos are blurry	Lens may be dirty or smudged	Clean the lens with a soft cloth.
	Camera moved when picture was taken	Try to keep the camera steady when you take pictures.
	Flash may not have been charged	Wait for flash to fully charge before you take a picture  .
	You are too close to your subject	The focus range is from about 4 ft. (1.22 m) - infinity
Cannot transfer pictures to the computer	USB cord may not be properly connected	Check cord connections on both your camera and your computer.
Camera is not recognizing SD card	SD card is corrupted or not certified	Use only certified SD cards. Do not use "high speed" SD cards or SD card with a capacity higher than 1 GB.
Pictures on my camera were gone after changing "AA" (LR6) batteries	CR2032 lithium button cell battery is weak or exhausted	Replace the CR2032 lithium button cell battery.
	Power is on when battery door is opened	Turn power off before opening battery door.

Troubleshooting

Problem	Cause	Solution
Product functions erratically or does not function at all	Static electricity build-up	Reset the electronics by opening, removing and then replacing the battery compartment door.

Care

- Keep water, sand and dirt off of the camera.
- Keep the camera away from direct sunlight and excessive heat.
- Wipe the camera with a soft, clean cloth. Do not immerse the camera.
- This camera has no consumer serviceable parts. Please do not take this toy apart.

FCC Statement (United States Only)

This equipment has been tested and found to comply with the limits for a Class B digital device, pursuant to Part 15 of the FCC Rules. These limits are designed to provide reasonable protection against harmful interference in a residential installation. This equipment generates, uses and can radiate radio frequency energy and, if not installed and used in accordance with the instructions, may cause harmful interference to radio communications. However, there is no guarantee that interference will not occur in a particular installation. If this equipment does cause harmful interference to radio or television reception, which can be determined by turning the equipment off and on, the user is encouraged to try to correct the interference by one or more of the following measures:

- Reorient or relocate the receiving antenna.
- Increase the separation between the equipment and receiver.
- Consult the dealer or an experienced radio/TV technician for help.

Note: Changes or modifications not expressly approved by the manufacturer responsible for compliance could void the user's authority to operate the equipment.



CONSUMER ASSISTANCE

Call toll free: 1-800-432-5437 (US & Canada only)
M-F 9AM to 7PM / SAT 11AM to 5PM (EST)

service.fisher-price.com

Write to us at: Fisher-Price® Consumer Relations,
636 Girard Avenue, East Aurora, New York 14052.

Hearing-impaired consumers using TTY/TDD equipment,
please call 1-800-382-7470.

For countries outside the United States:

CANADA: Questions? 1-800-432-5437. Mattel Canada Inc., 6155 Freemont Blvd., Mississauga, Ontario L5R 3W2;
www.service.mattel.com.

GREAT BRITAIN: Mattel UK Ltd, Vanwall Business Park, Maidenhead SL6 4UB. Helpline: 01628 500303. www.service.mattel.com/uk.

AUSTRALIA: Mattel Australia Pty. Ltd., 658 Church Street, Locked Bag #870, Richmond, Victoria 3121 Australia.
Consumer Advisory Service 1300 135 312.

NEW ZEALAND: 16-18 William Pickering Drive, Albany 1331, Auckland.

ASIA: Mattel East Asia Ltd, Room 1106, South Tower, World Finance Centre, Harbour City, Tsimshatsui, HK, China.

Windows is a registered trademark of Microsoft Corporation in the United States and other countries. Windows Vista is either a registered trademark or trademark of Microsoft Corporation in the United States and/or other countries.

Fisher-Price, Inc., a subsidiary of Mattel, Inc., East Aurora, NY 14052 U.S.A.
©2007 Mattel, Inc. All Rights Reserved. ® and ™ designate U.S. trademarks of Mattel, Inc.

PRINTED IN CHINA
M5015pr-0920