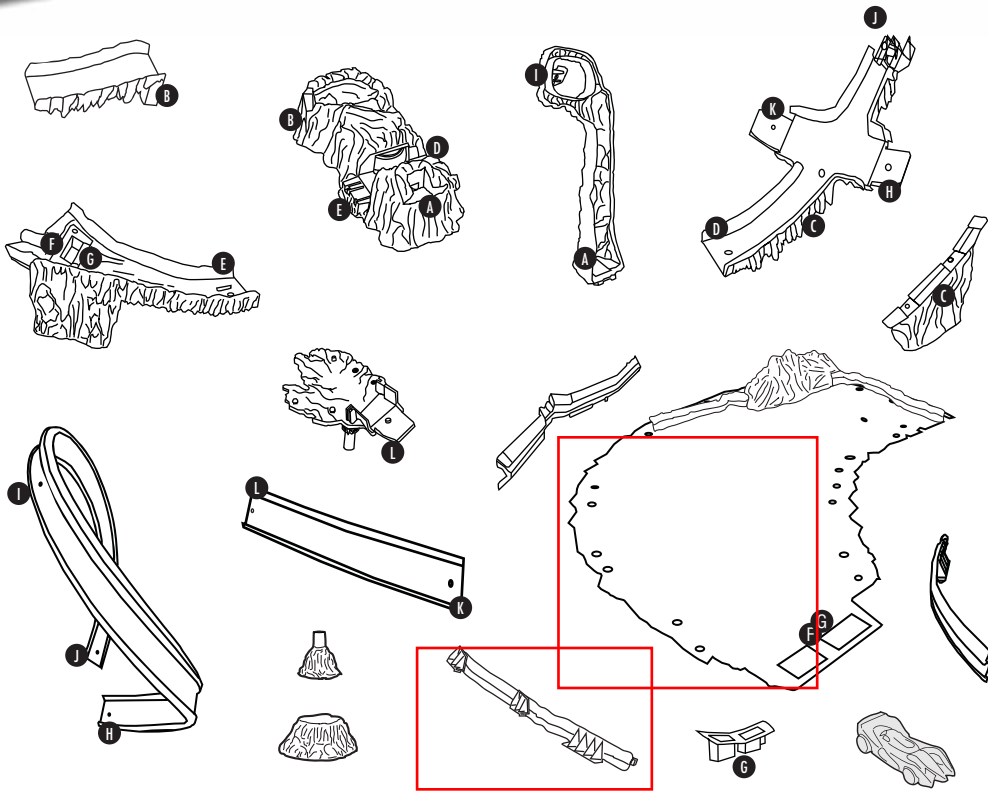


Keep these instructions for future reference as they contain important information.



M5987-0920

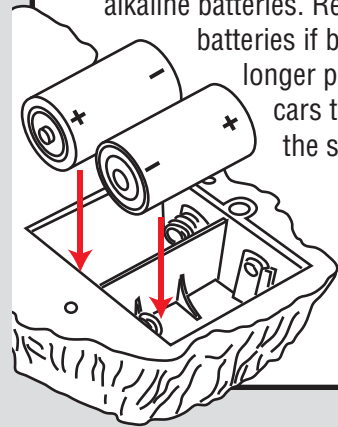


Requires 2 "D" (LR20) alkaline batteries (not included). Refer to numbers on parts and contents page to help with assembly.

## CASA CRISTO 5000 MALTESE ICE CAVES TRACK SET INSTRUCTIONS

### 1 Battery Installation / Replacement

Remove battery cover with a Phillips head screwdriver (not included). Insert 2 "D" (LR20) alkaline batteries in the orientation shown. Replace battery cover and tighten screw. For best performance use only alkaline batteries. Replace batteries if booster no longer propels cars through the set.



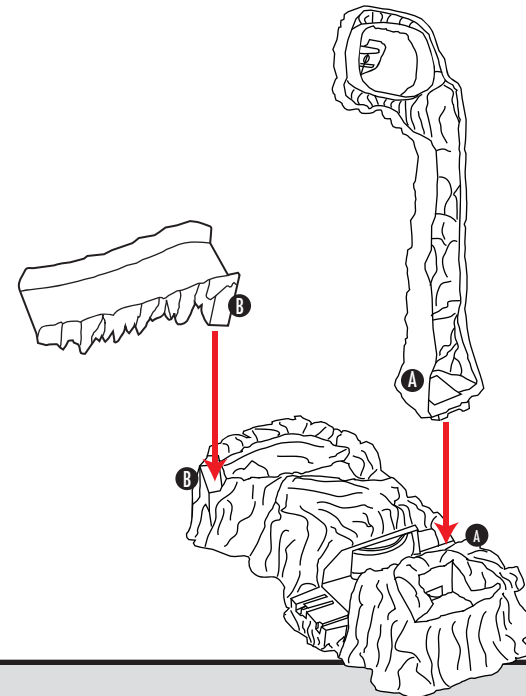
#### BATTERY SAFETY INFORMATION

In exceptional circumstances batteries may leak fluids that can cause a chemical burn injury or ruin your product. To avoid battery leakage:

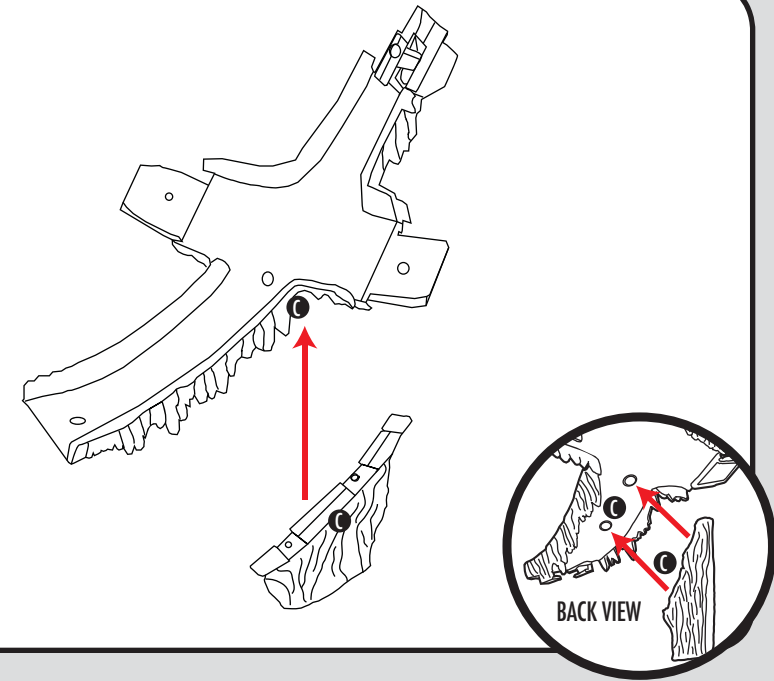
- Non-rechargeable batteries are not to be recharged.
- Rechargeable batteries are to be removed from the product before being charged (if designed to be removable).
- Rechargeable batteries are only to be charged under adult supervision (if designed to be removable).
- Do not mix alkaline, standard (carbon-zinc), or rechargeable (nickel-cadmium) batteries.
- Do not mix old and new batteries.
- Only batteries of the same or equivalent type as recommended are to be used.
- Batteries are to be inserted with the correct polarity.
- Exhausted batteries are to be removed from the product.
- The supply terminals are not to be short-circuited.
- Dispose of battery(ies) safely.
- Do not dispose of this product in a fire. The batteries inside may explode or leak.

Protect the environment by not disposing of this product with household waste (2002/96/EC). Check your local authority for recycling advice and facilities.

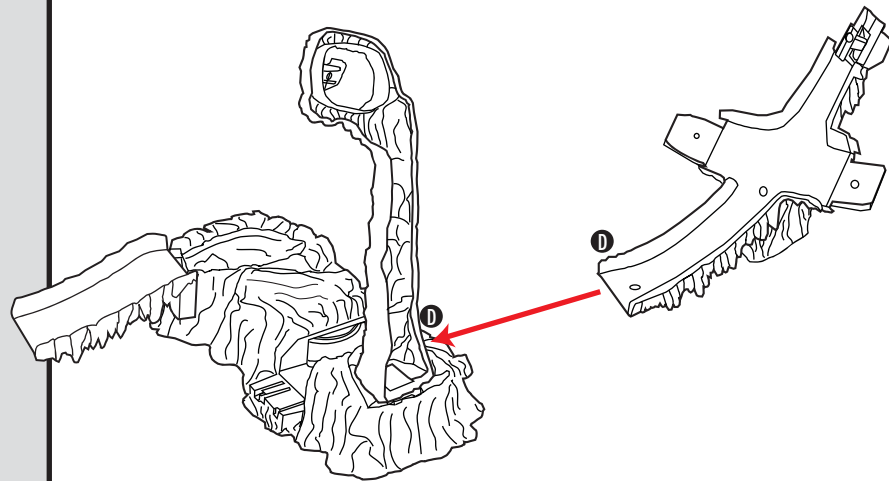
### 2 Connect Tower and Ramp to Base



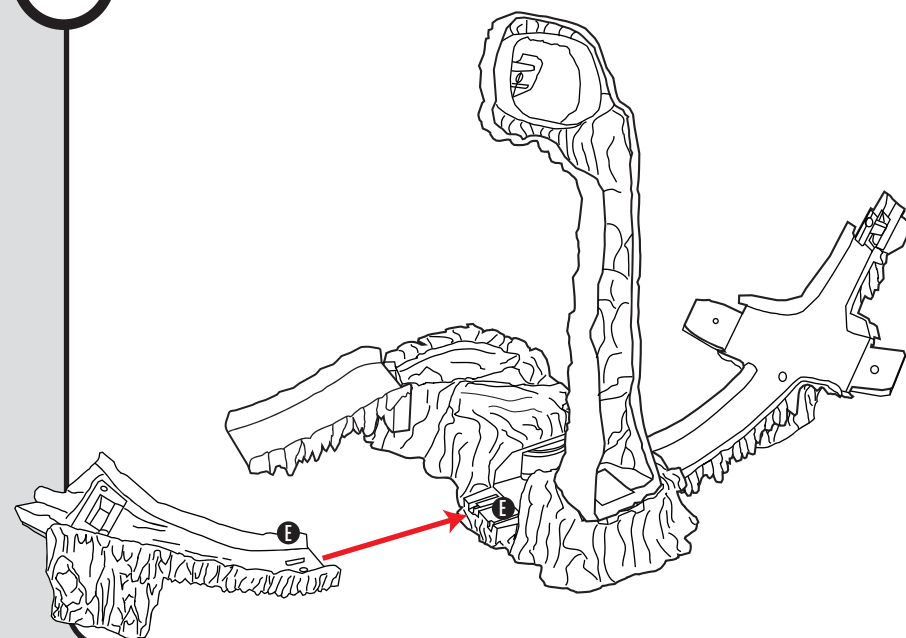
### 3 Connect Support to Intersection



### 4 Connect Intersection to Base

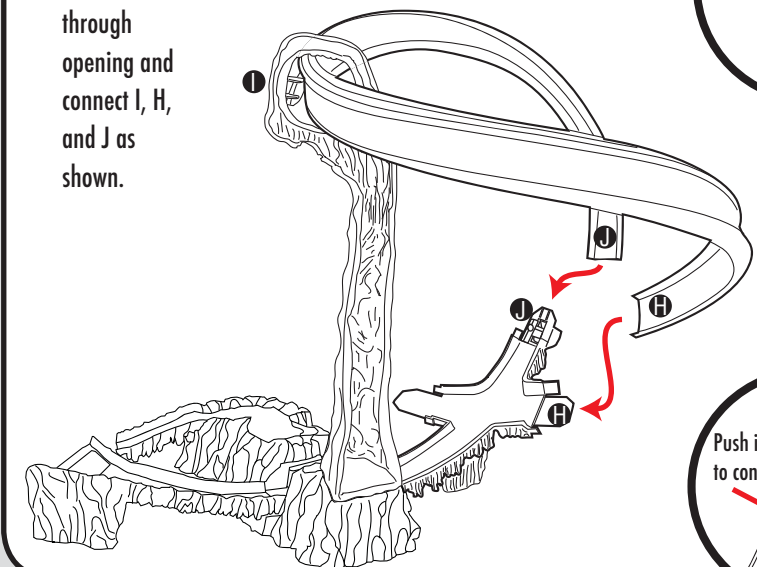


### 5 Connect Catch to Base



### 6 Connect Loop

Pull track through opening and connect I, H, and J as shown.



Twist the track to attach to support (I) and slide track to align to hole.

Push in lever to connect.

**7** **Connect Support to Ice Platform**

**8** **Connect Straight Track**

**9** **Connect Ice Platform**

**10** **Connect Guardrails**

SNAP in all guardrails.

**GO** **To Play**

SPEED RACER MOVIE: © Warner Bros. Entertainment Inc. SPEED RACER:™ Speed Racer Enterprises, Inc. (s08)  
© 2007 Mattel, Inc. All Rights Reserved.

Mattel, Inc., 333 Continental Blvd., El Segundo, CA 90245 U.S.A. Consumer Relations 1 (800) 524-8697 service.mattel.com.  
 Mattel Canada Inc., Mississauga, Ontario L5R 3W2. You may call us free at/ Composez sans frais le 1-800-524-8697.  
 Mattel U.K. Ltd., Vanwall Business Park, Maidenhead SL6 4UB.  
 Mattel Australia Pty., Ltd., Richmond, Victoria. 3121.Consumer Advisory Service - 1300 135 312.

Mattel East Asia Ltd., Room 1106, South Tower, World Finance Centre, Harbour City, Tsimshatsui, HK, China.  
 Diimport & Diedarkan Oleh: Mattel SEA Ptd Ltd.(993532-P) Lot 13.5, 13th Floor, Menara Lien Hoe, Persiaran Tropicana Golf Country Resort, 47410 PJ. Tel:03-78803817, Fax:03-78803867.