



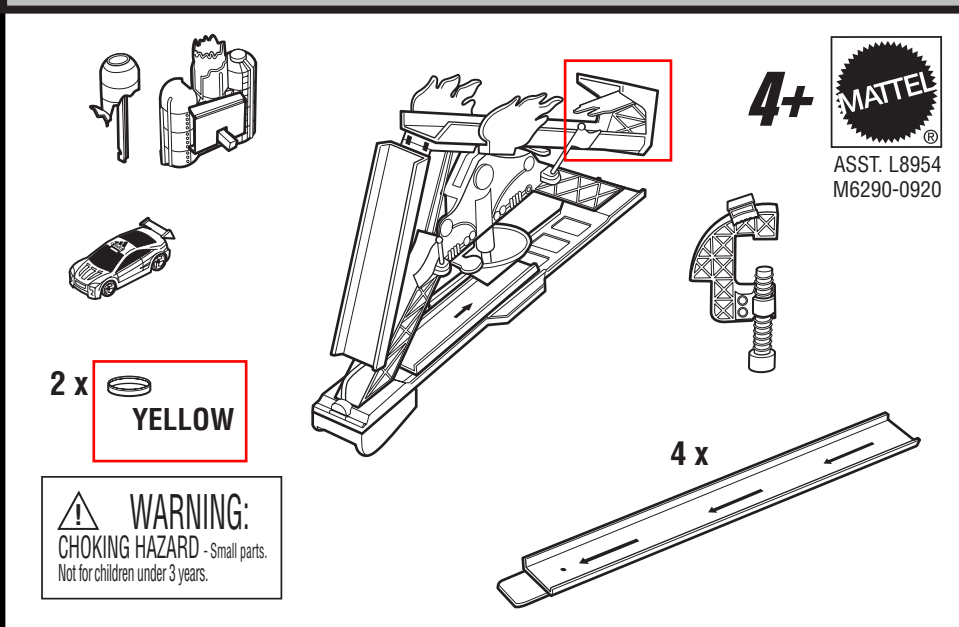
READY-MADE STUNTS!  
CONNECT THEM ALL!

# SUPER SLIDE™ STUNT PACK

## INSTRUCTIONS

Please keep these instructions for future reference as they contain important information.

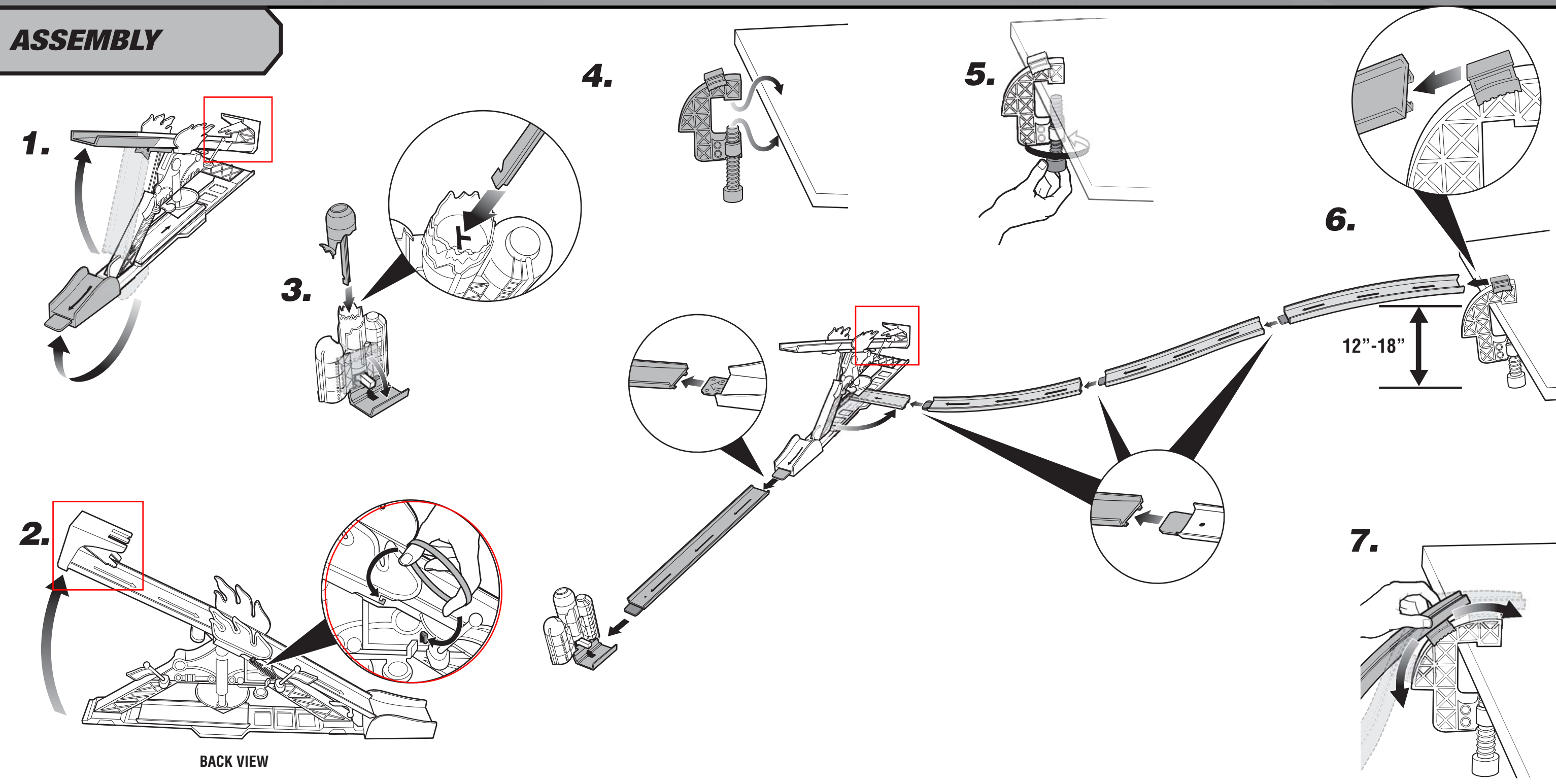
### CONTENTS



© 2007 Mattel, Inc. All Rights Reserved.

Mattel, Inc., 333 Continental Blvd., El Segundo, CA 90245 U.S.A. Consumer Relations 1 (800) 524-8697  
 service.mattel.com • Mattel Canada Inc., Mississauga, Ontario L5R 3W2. You may call us free at 1-800-524-8697.  
 • Mattel U.K. Ltd., Vanwall Business Park, Maidenhead SL6 4UB. Helpline 01628500303 • Mattel Australia Pty.  
 Ltd., Richmond, Victoria, 3121 Consumer Advisory Service - 1300 135 312. • Mattel East Asia Ltd., Room 1106,  
 South Tower, World Finance Centre, Harbour City, Tsimshatsui, HK, China. • Diimport & Diedarkan Oleh: Mattel  
 SEA Ptd Ltd.(993532-P) Lot 13.5, 13th Floor, Menara Lien Hoe, Persiaran Tropicana Golf Country Resort, 47410  
 P.J. Tel:03-78803817, Fax:03-78803867.

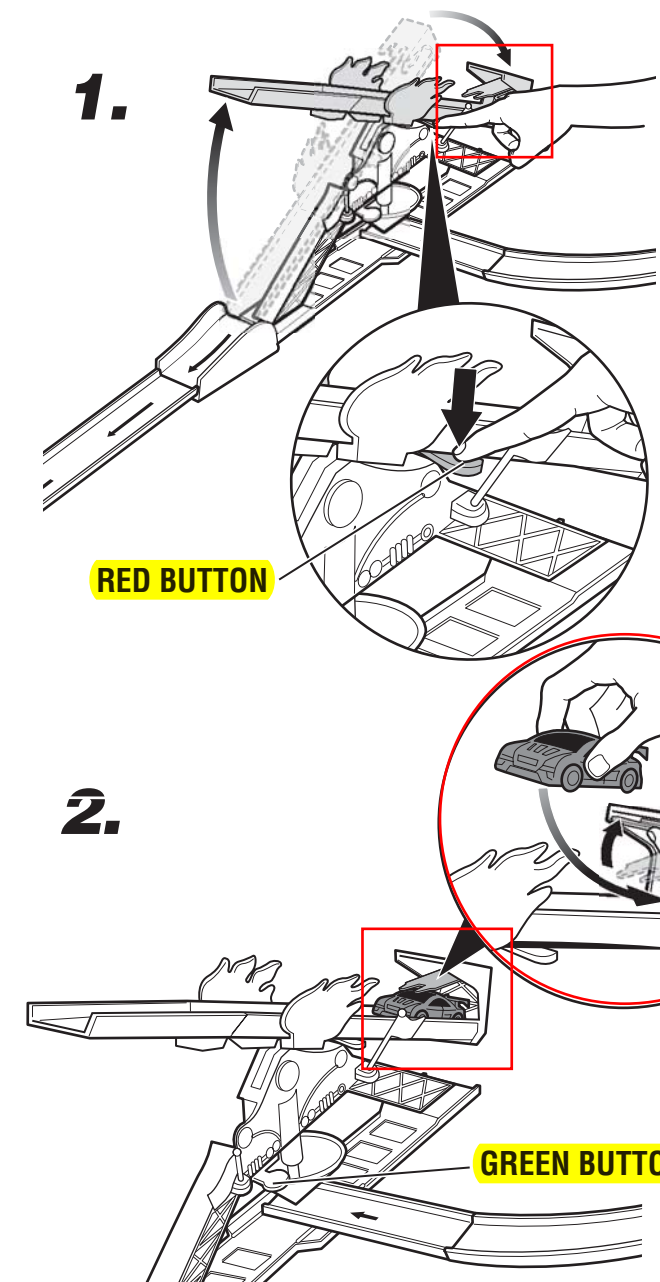
## ASSEMBLY



INSTRUCTION SHEET SPECIFICATIONS	
Toy No.:	M6290/ASST. L8954
Part No.:	0920
Trim Size:	22"W x 8.5"H
Folded Size:	5.5"W x 8.5"H
Type of Fold:	accordion
# colors:	1C, 1C
Colors:	Black
Paper Stock:	White Offset
Paper Weight:	80 lb.
EDM No.:	

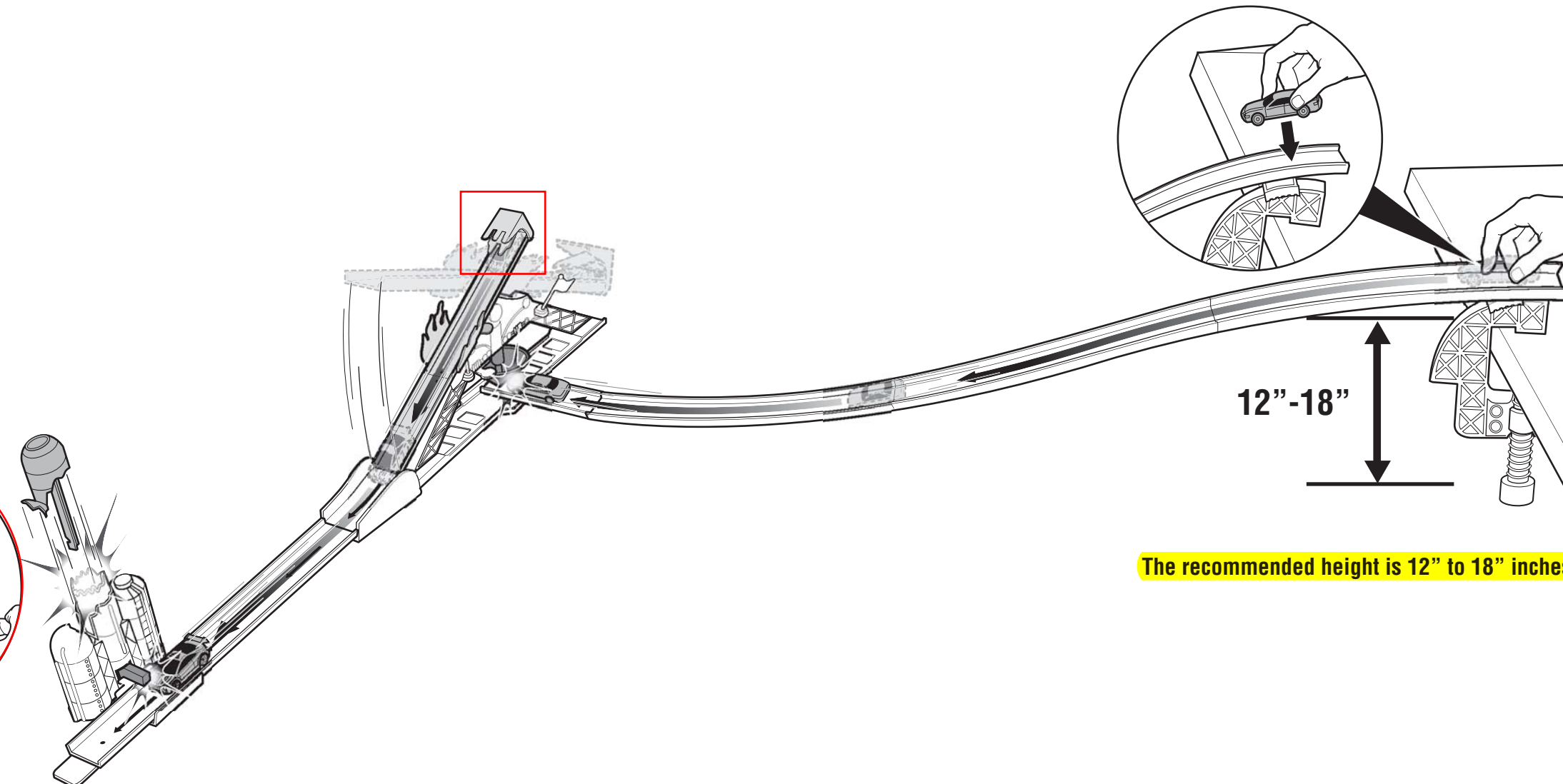
## GET READY TO PLAY

Note: All GREEN buttons are launch buttons and all reset triggers are RED.



## TO PLAY

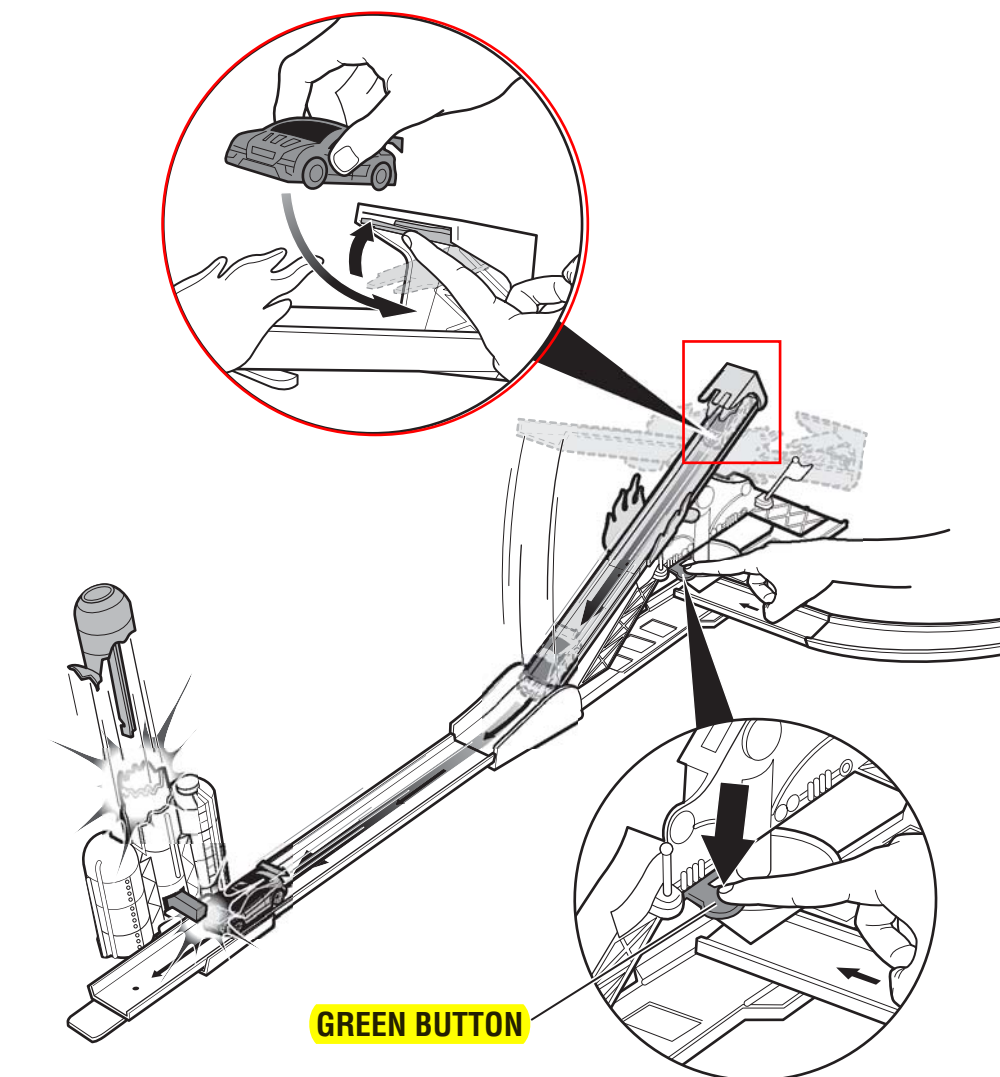
### OPTION A



The recommended height is 12" to 18" inches.

Only use projectiles supplied with this toy. Do not fire at people or animals or at point blank range.

### OPTION B



CONNECTS WITH OTHER TRICK TRACKS SETS.



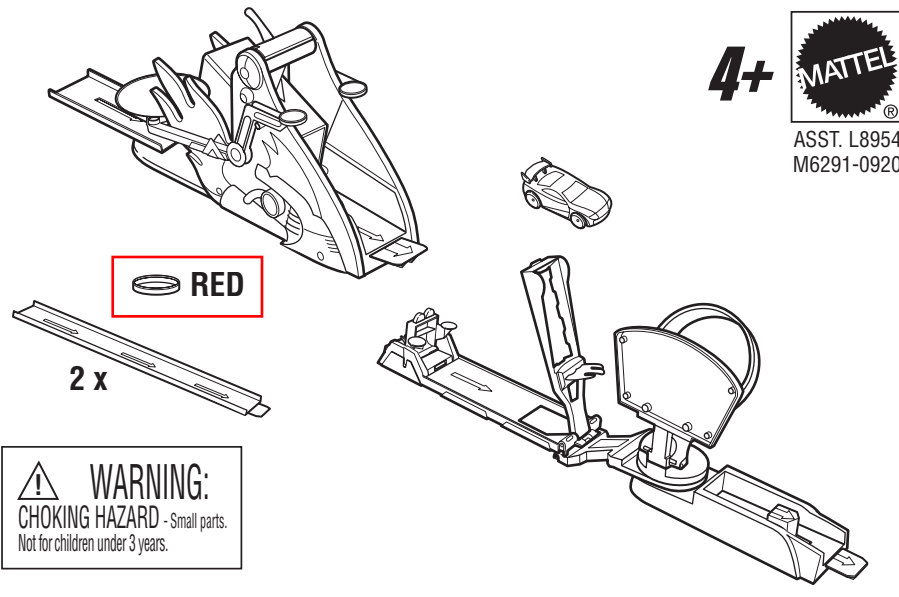
READY-MADE STUNTS!  
CONNECT THEM ALL!

# HAMMER & HOOP™ STUNT PACK

## INSTRUCTIONS

Please keep these instructions for future reference as they contain important information.

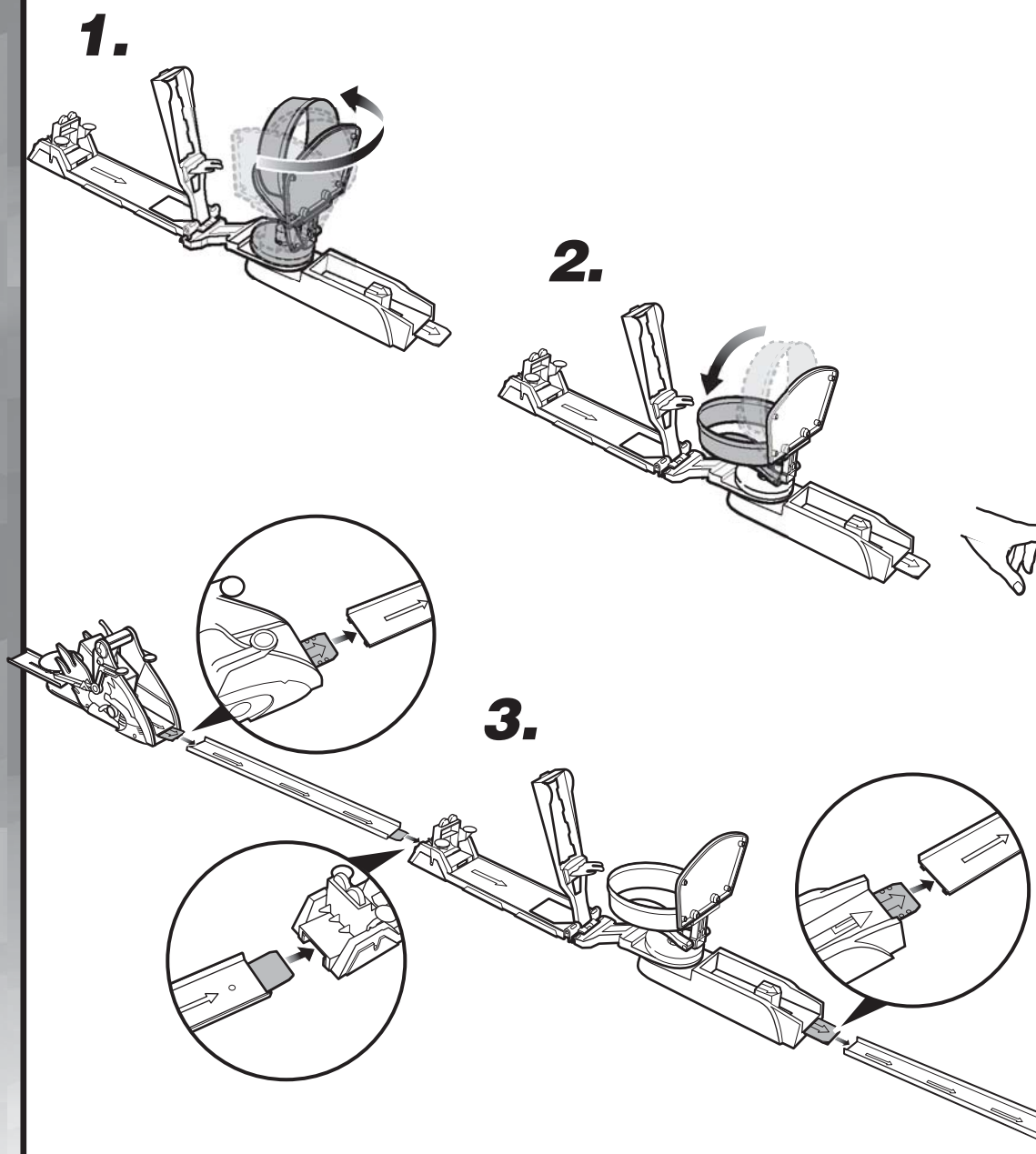
## CONTENTS



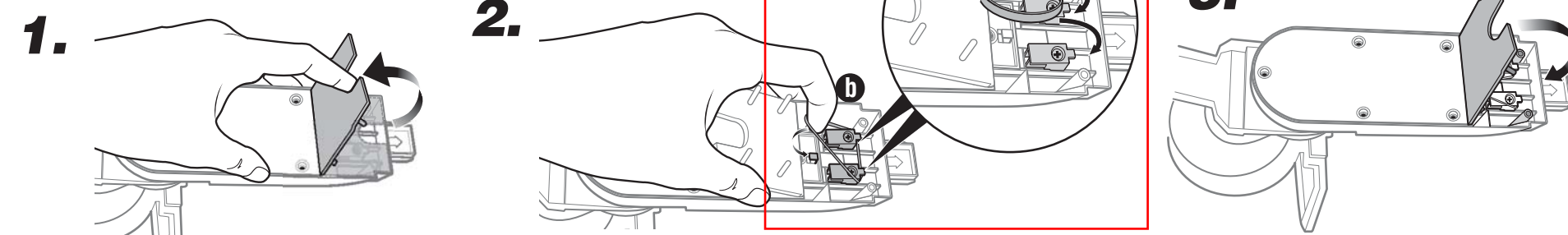
© 2007 Mattel, Inc. All Rights Reserved.

Mattel, Inc., 333 Continental Blvd., El Segundo, CA 90245 U.S.A. Consumer Relations 1 (800) 524-8697  
service.mattel.com • Mattel Canada Inc., Mississauga, Ontario L5R 3W2. You may call us free at 1-800-524-8697.  
• Mattel U.K. Ltd., Vanwall Business Park, Maidenhead SL6 4UB. Helpline 01628500303 • Mattel Australia Pty. Ltd., Richmond, Victoria, 3121 Consumer Advisory Service - 1300 135 312 • Mattel East Asia Ltd., Room 1106, South Tower, World Finance Centre, Harbour City, Tsimshatsui, HK, China. • Diimport & Diedarkan Oleh: Mattel SEA Ptd Ltd (993532-P) Lot 13.5, 13th Floor, Menara Lien Hoe, Persiaran Tropicana Golf Country Resort, 47410 P.J. Tel:03-78803817, Fax:03-78803867.

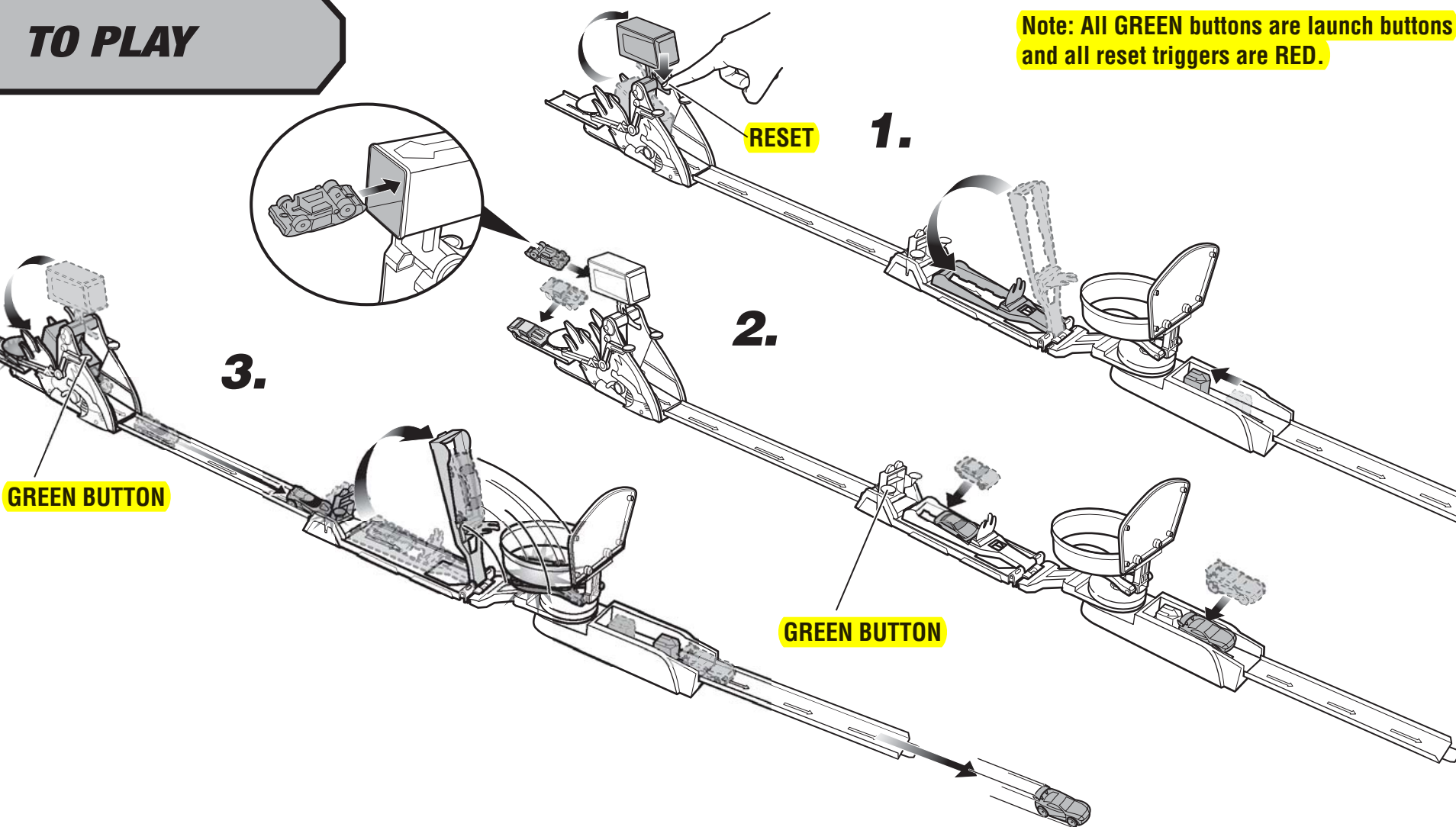
## ASSEMBLY



## REPLACE RUBBER BAND ADULT SUPERVISION REQUIRED.



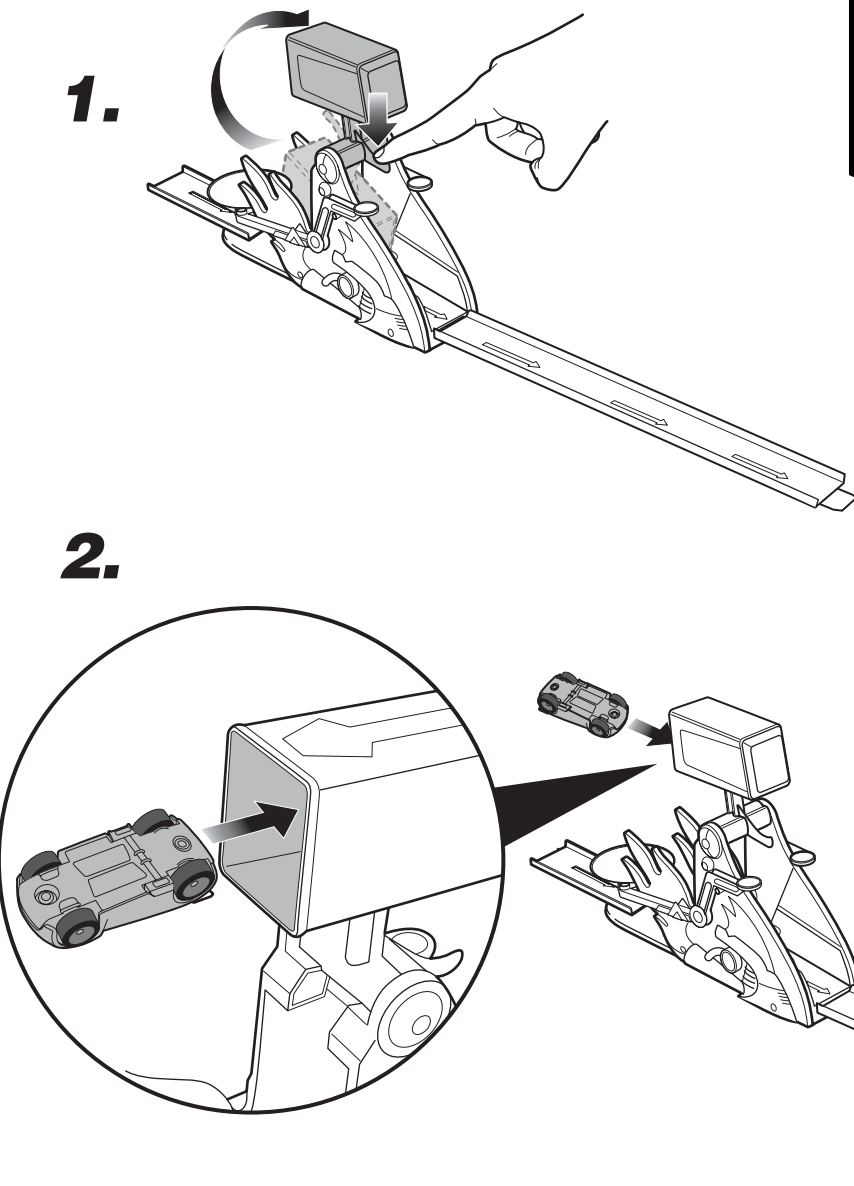
## TO PLAY



INSTRUCTION SHEET SPECIFICATIONS	
Toy No.:	M6291/ASST_L8954J
Part No.:	0920
Trim Size:	22" W x 8.5" H
Folded Size:	5.5" W x 8.5" H
Type of Fold:	accordion
# colors:	1C + 1C
Colors:	Black
Paper Stock:	White Offset
Paper Weight:	80 lb.
EDM No.:	

## MORE WAYS TO PLAY

### OPTION A



### OPTION B

