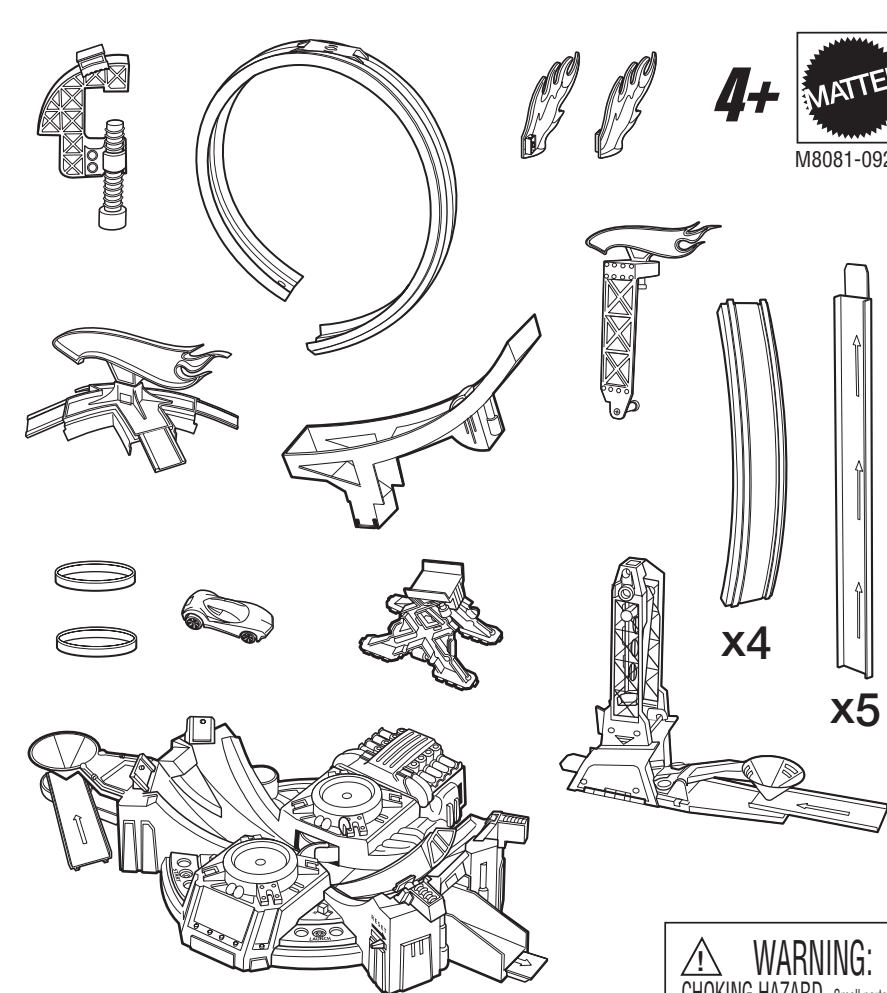


POWER LOOP™

INSTRUCTIONS

Please keep these instructions for future reference as they contain important information.

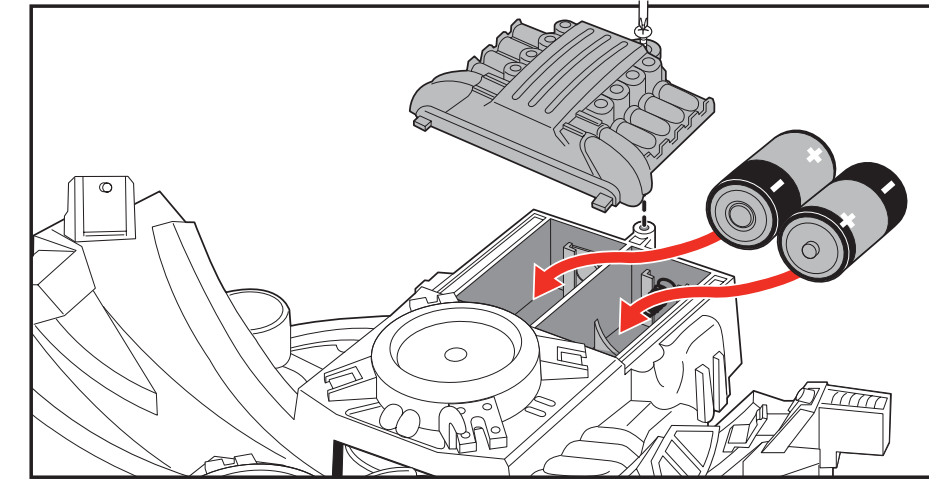
CONTENTS



Requires 2 "D" alkaline batteries (not included).

BATTERY INSTALLATION / REPLACEMENT

- Unscrew the battery cover with a Phillips head screwdriver (not included).
- Install 2 "D" alkaline batteries in the orientation (+/-) shown.
- Replace battery cover and tighten screw.
- Replace the batteries if the movement slows.
- For best performance, use only alkaline batteries.



- BATTERY SAFETY INFORMATION**
- In exceptional circumstances batteries may leak fluids that can cause a chemical burn injury or ruin your product. To avoid battery leakage:
 - Non-rechargeable batteries are not to be recharged.
 - Rechargeable batteries are to be removed from the product before being charged (if designed to be removable).
 - Rechargeable batteries are only to be charged under adult supervision (if designed to be removable).
 - Do not mix alkaline, standard (carbon-zinc), or rechargeable (nickel-cadmium) batteries.
 - Do not mix old and new batteries.
 - Only batteries of the same or equivalent type as recommended are to be used.
 - Batteries are to be inserted with the correct polarity.
 - Exhausted batteries are to be removed from the product.
 - The supply terminals are not to be short-circuited.
 - Dispose of battery(ies) safely.
 - Do not dispose of this product in a fire. The batteries inside may explode or leak.
 - Protect the environment by not disposing of this product with household waste [2002/96/EC]. Check your local authority for recycling advice and facilities.

This device complies with Part 15 of the FCC Rules. Operation is subject to the following two conditions: (1) This device may not cause harmful interference, and (2) this device must accept any interference received, including interference that may cause undesired operation. This equipment has been tested and found to comply with the limits for a Class B digital device, pursuant to part 15 of the FCC rules. These limits are designed to provide reasonable protection against harmful interference in a residential installation. This equipment generates, uses and can radiate radio frequency energy and, if not installed and used in accordance with the instructions, may cause harmful interference to radio communications. However, there is no guarantee that interference will not occur in a particular installation. If this equipment does cause harmful interference to radio or television reception, which can be determined by turning the equipment off and on, the user is encouraged to try to correct the interference by one or more of the following measures:

- Reorient or relocate the receiving antenna.
- Increase the separation between the equipment and receiver.
- Connect the equipment into an outlet on a circuit different from that to which the receiver is connected.
- Consult the dealer or an experienced radio/TV technician for help.

NOTE: Changes or modifications not expressly approved by the manufacturer responsible for compliance could void the user's authority to operate the equipment.

ASSEMBLY

INSTRUCTION SHEET SPECIFICATIONS

Title	MS001
Part No.	0603
Rev. No.	0001
Issue Date	05/20/01
Author	MS001/001
Checker	MS001/001
Printer	MS001/001
Page No.	100/100
Page Count	100/100

11.

ON/OFF switch
Mode selection
Auto mode reset

OPTIONAL PLAY MODE

Press the GREEN BUTTON (c) to start the stunt.

GREEN BUTTON

Auto Mode

1.

Auto mode selection
LAUNCH

2.

Press down as shown to start the stunt.

After the car travels several loops the release ramp will automatically lift and allow the car to escape.

Manual Mode

1.

LAUNCH

2.

Press down as shown (a) to start the stunt.

Press the launch button (b) to allow the car to escape.

TO PLAY

Note: All GREEN buttons are launch buttons.

The recommended height is 12 to 18 inches (30mm-45mm).

M = MANUAL
A = AUTOMATIC
I = ON
O = OFF
→ = RESET
◊ = START
⊕ = LAUNCH

12"-18"
30mm-45mm