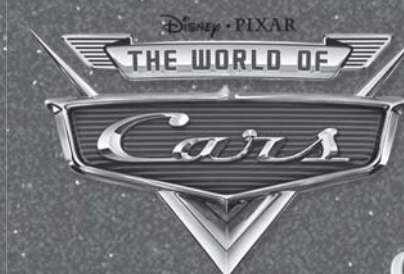


This is a battery-operated product. 1 flyer (00001-2908G1) is required to be placed inside the packaging.

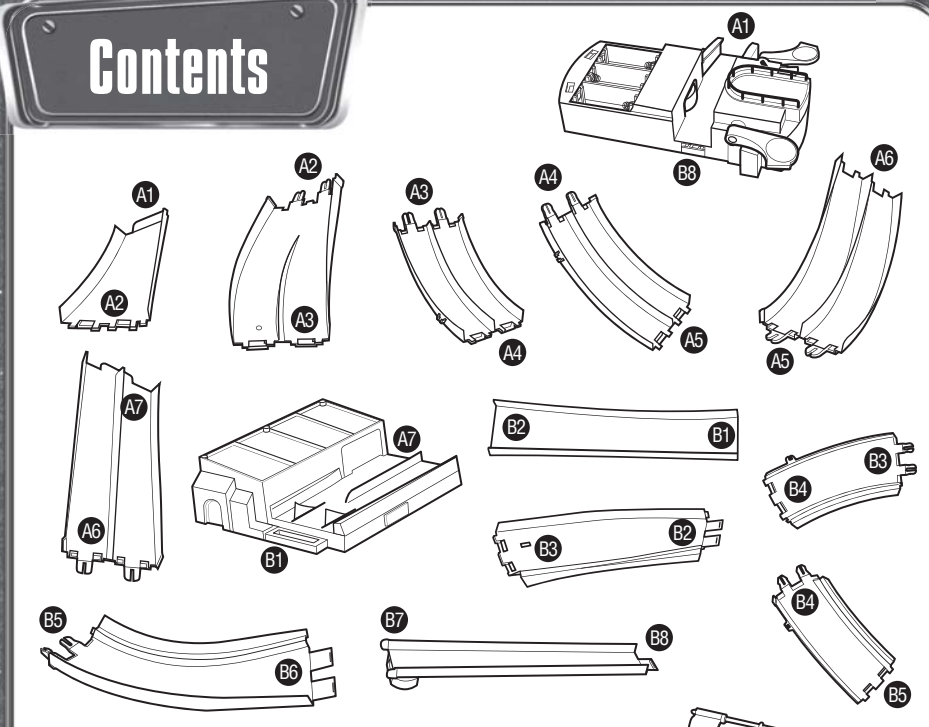


5+ M8110-0920

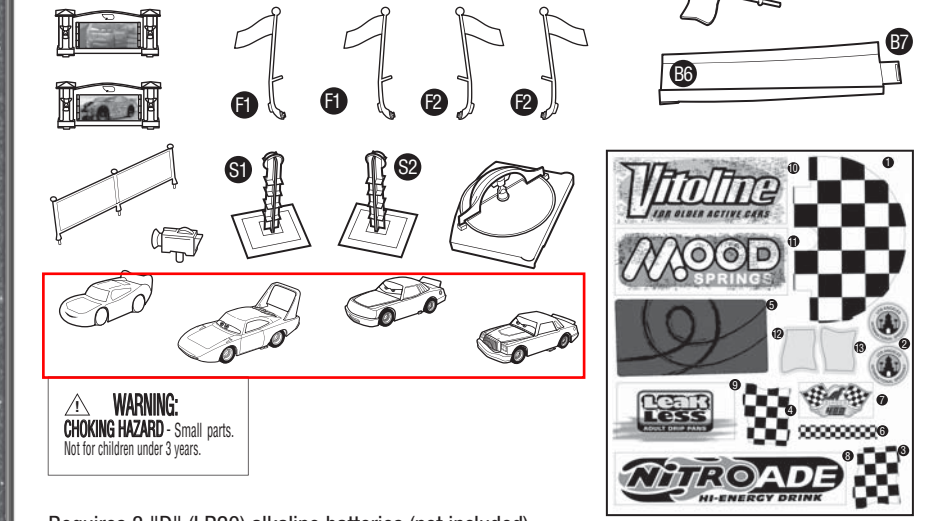
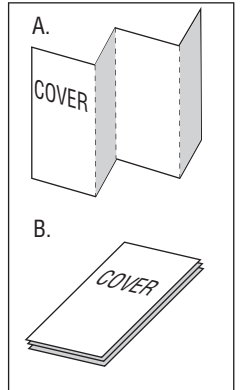
### Instructions

Please keep these instructions for future reference as they contain important information.

### Contents



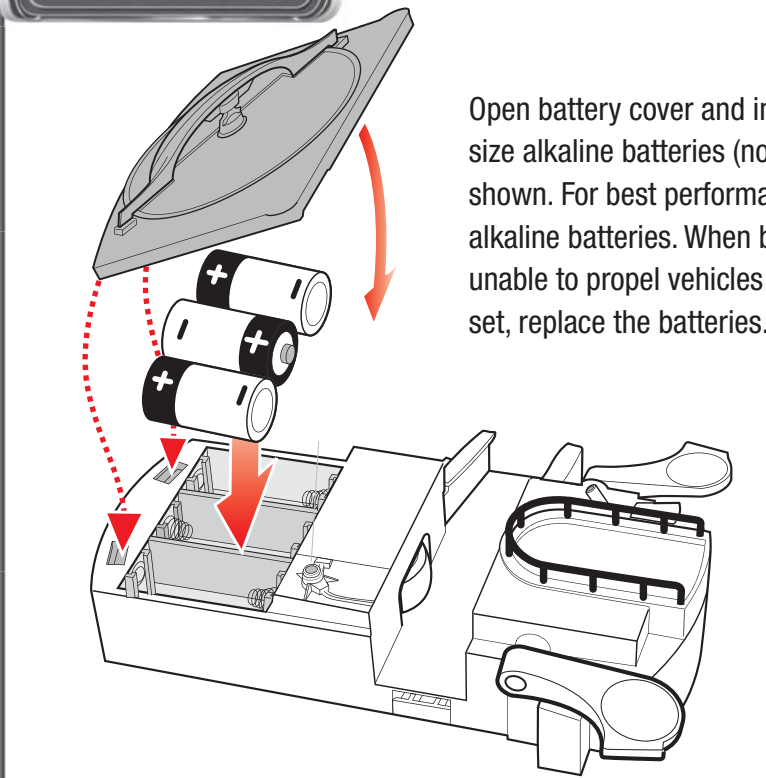
**INSTRUCTION SHEET SPECIFICATIONS**  
Toy: CARS RACE PISTON CUP CHALLENGE  
Part No.: M8110  
9920  
Trim Size: 38" W x 11" H  
Folded Size: 5.43" W x 11" H  
Type of Fold: 7-Panel  
# of Colors: 016  
Colors: Black and Red  
Paper Stock: White Offset  
Paper Weight: 70 lb.  
EDM No.: xxx



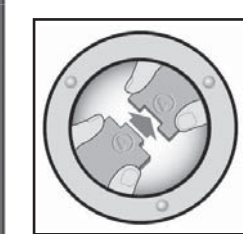
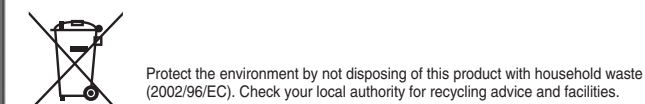
Requires 3 "D" (LR20) alkaline batteries (not included). Adult assembly required.

LABEL SHEET

### Battery Installation

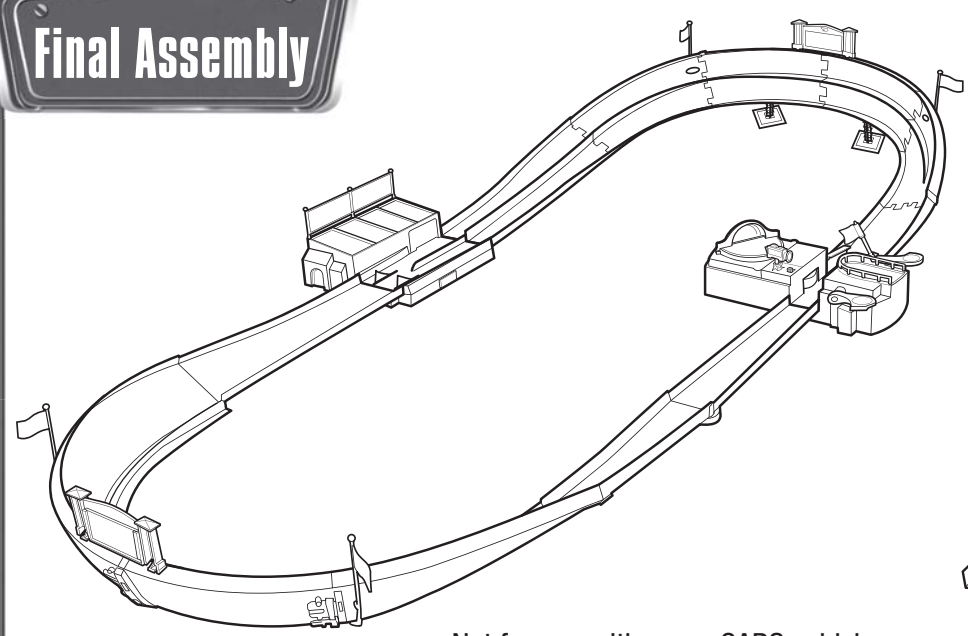


Open battery cover and insert 3 "D" size alkaline batteries (not included) as shown. For best performance, use alkaline batteries. When booster is unable to propel vehicles through the set, replace the batteries.



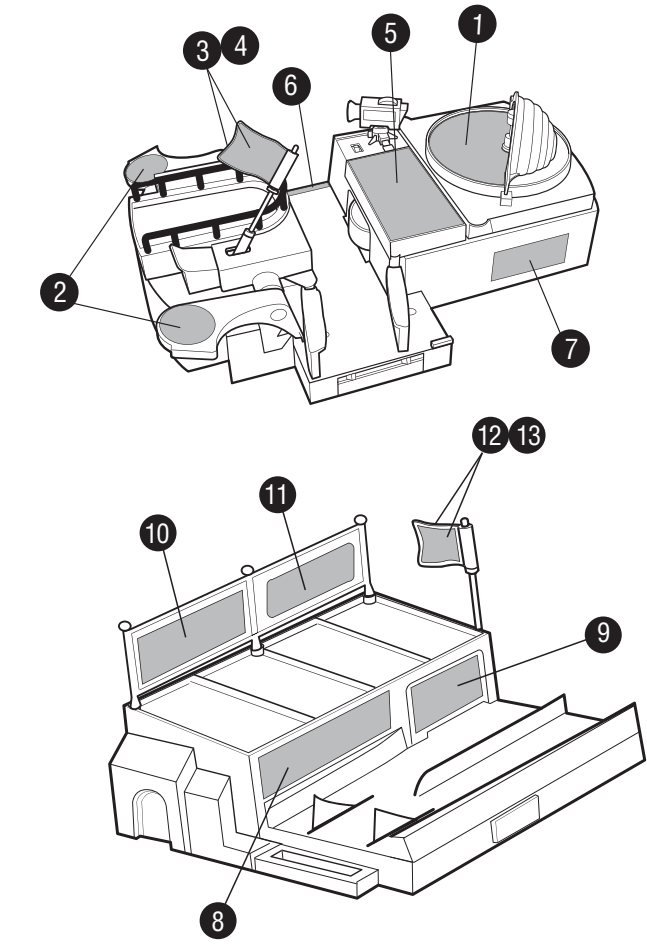
Refer to numbers on parts and contents page to help with assembly.  
**SAFETY NOTE:** Do not launch cars until toy is completely assembled.

### Final Assembly

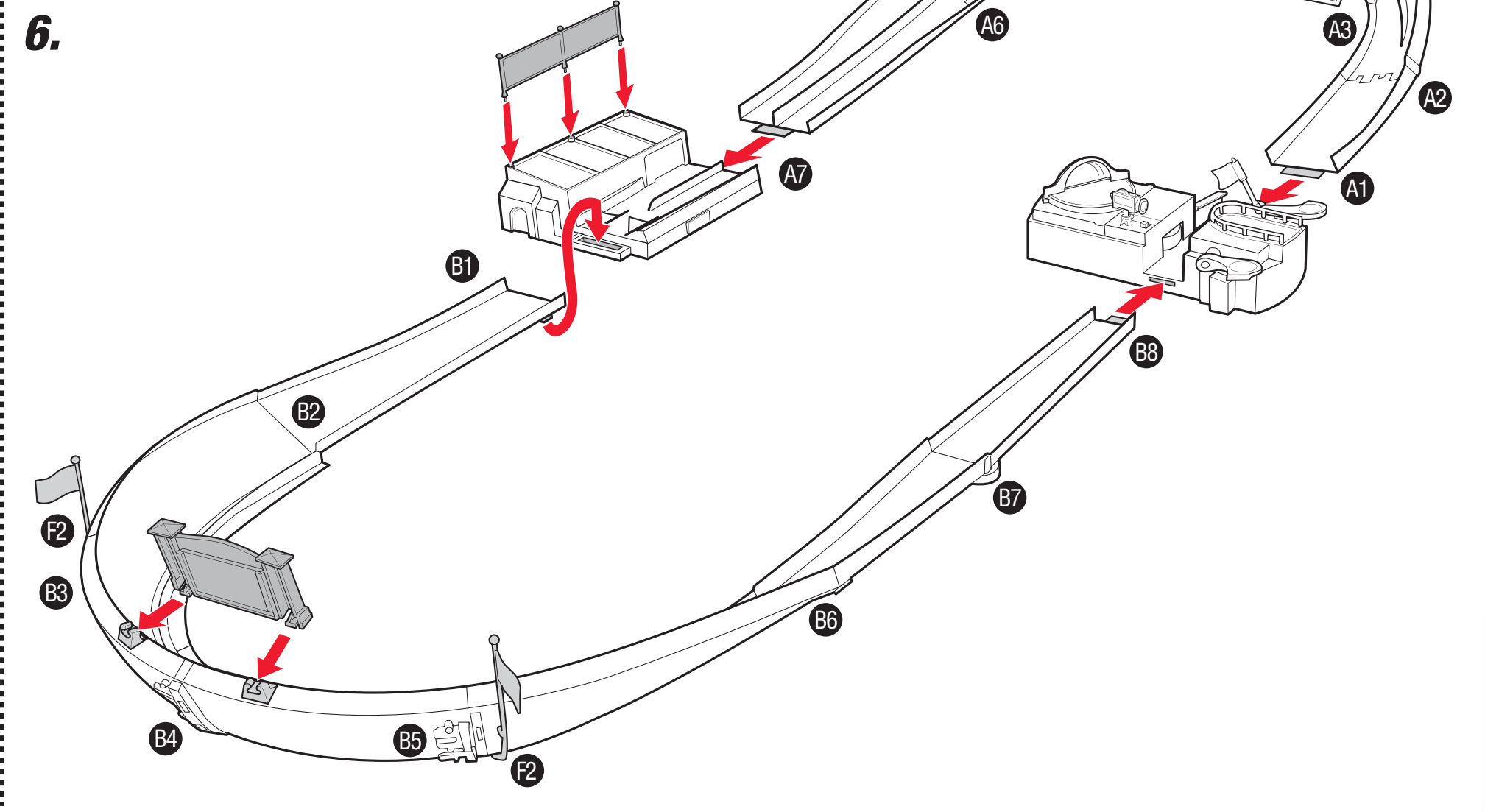
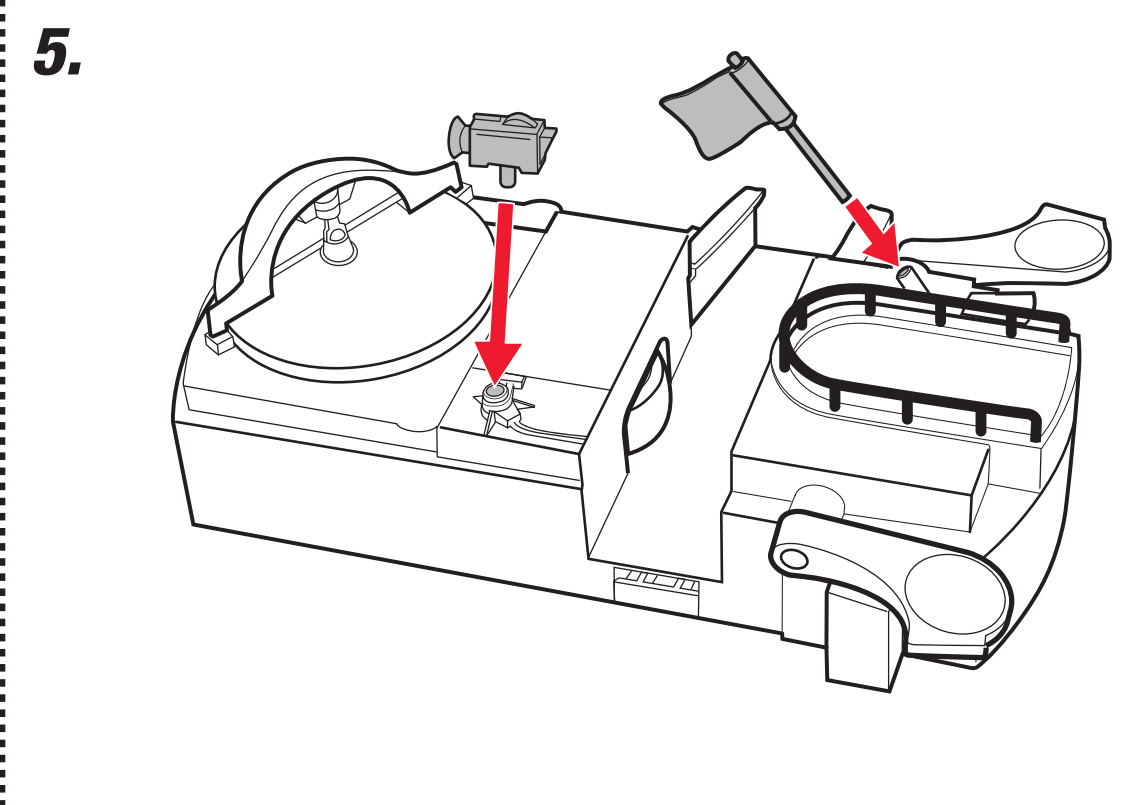
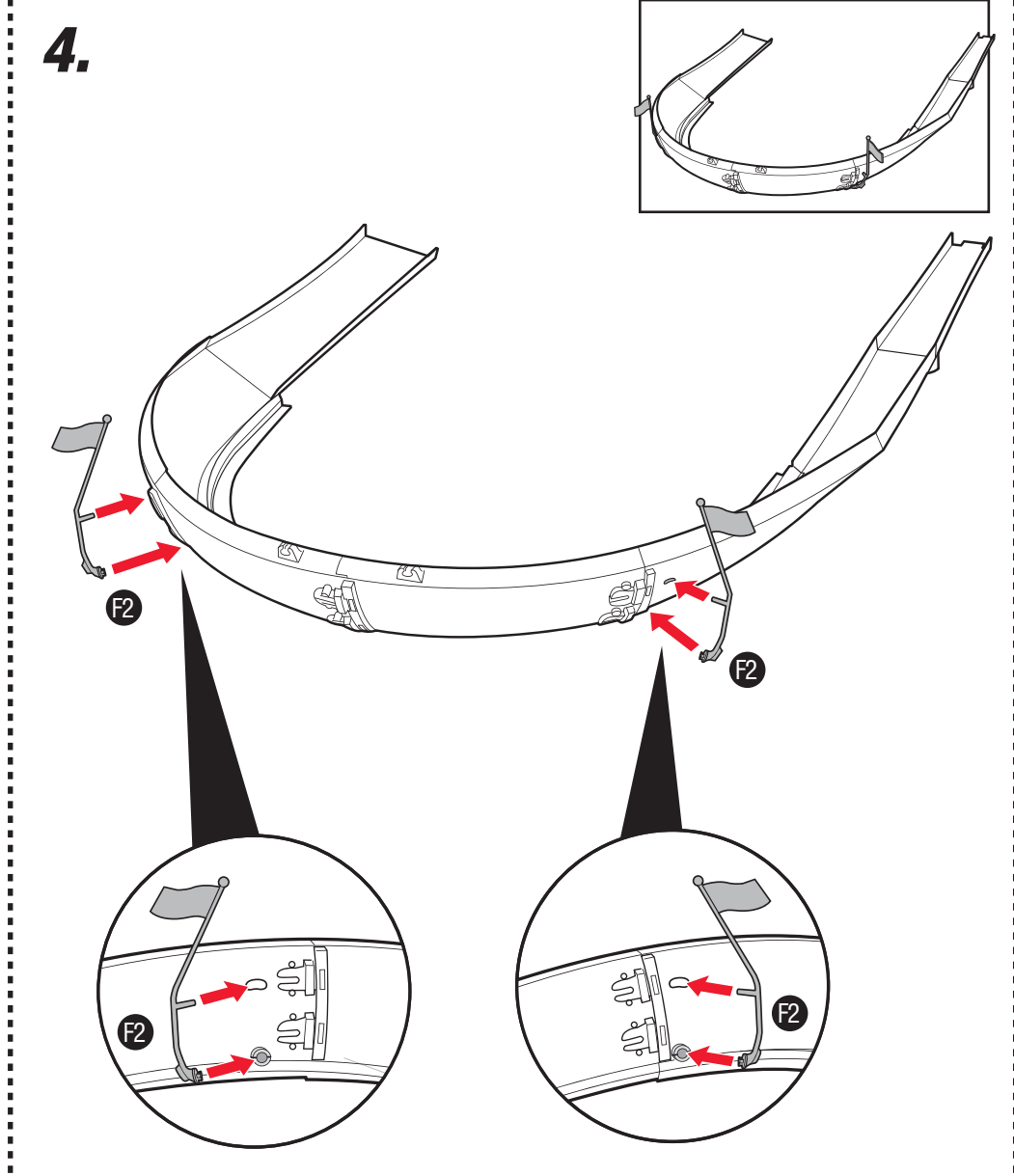
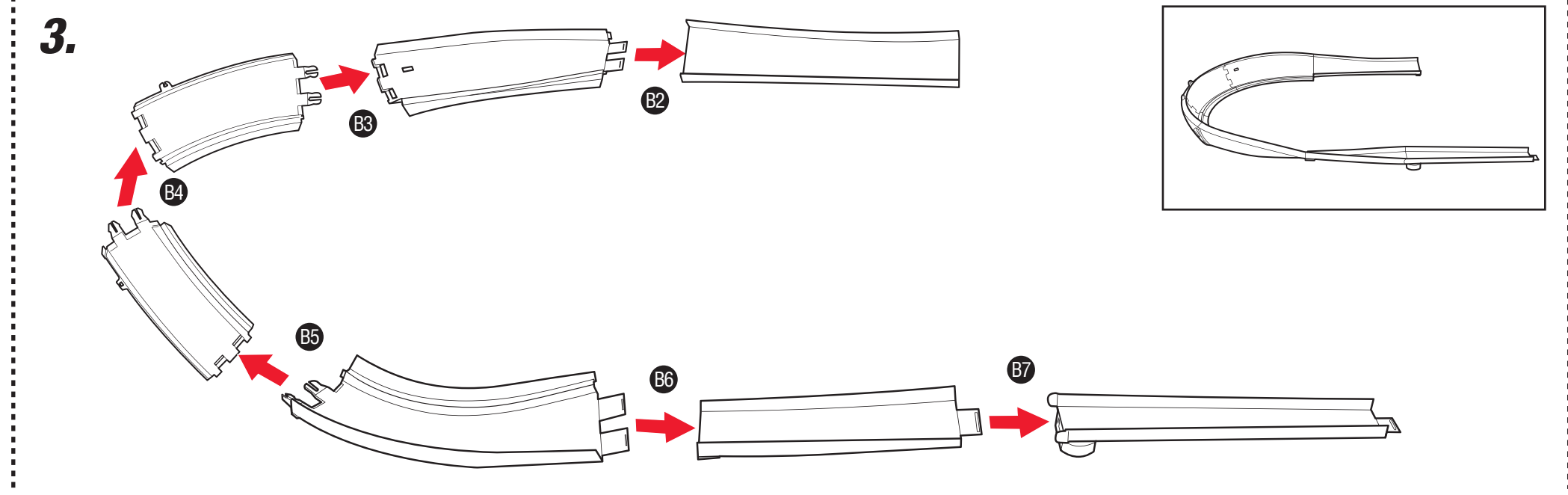
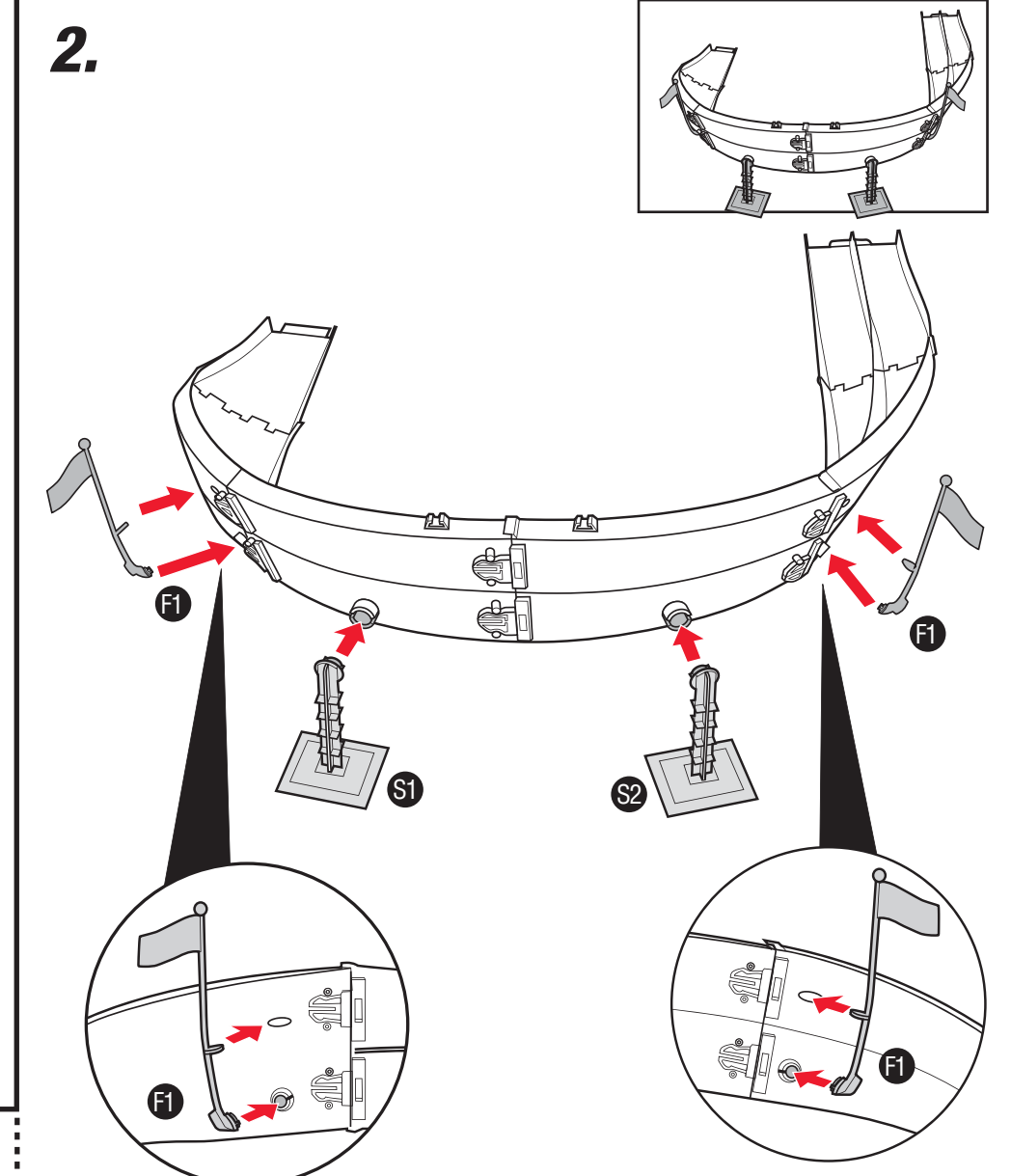
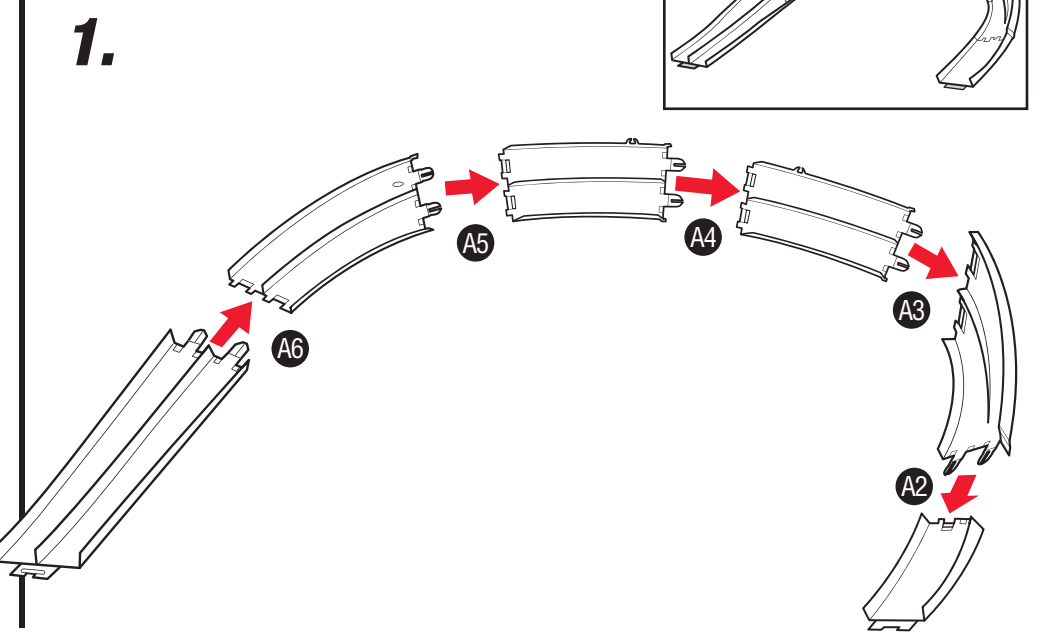


Not for use with some CARS vehicles.

**APPLY LABELS BY NUMBER AS INDICATED.**  
HELPFUL HINT: APPLY LABELS BEFORE ASSEMBLY.



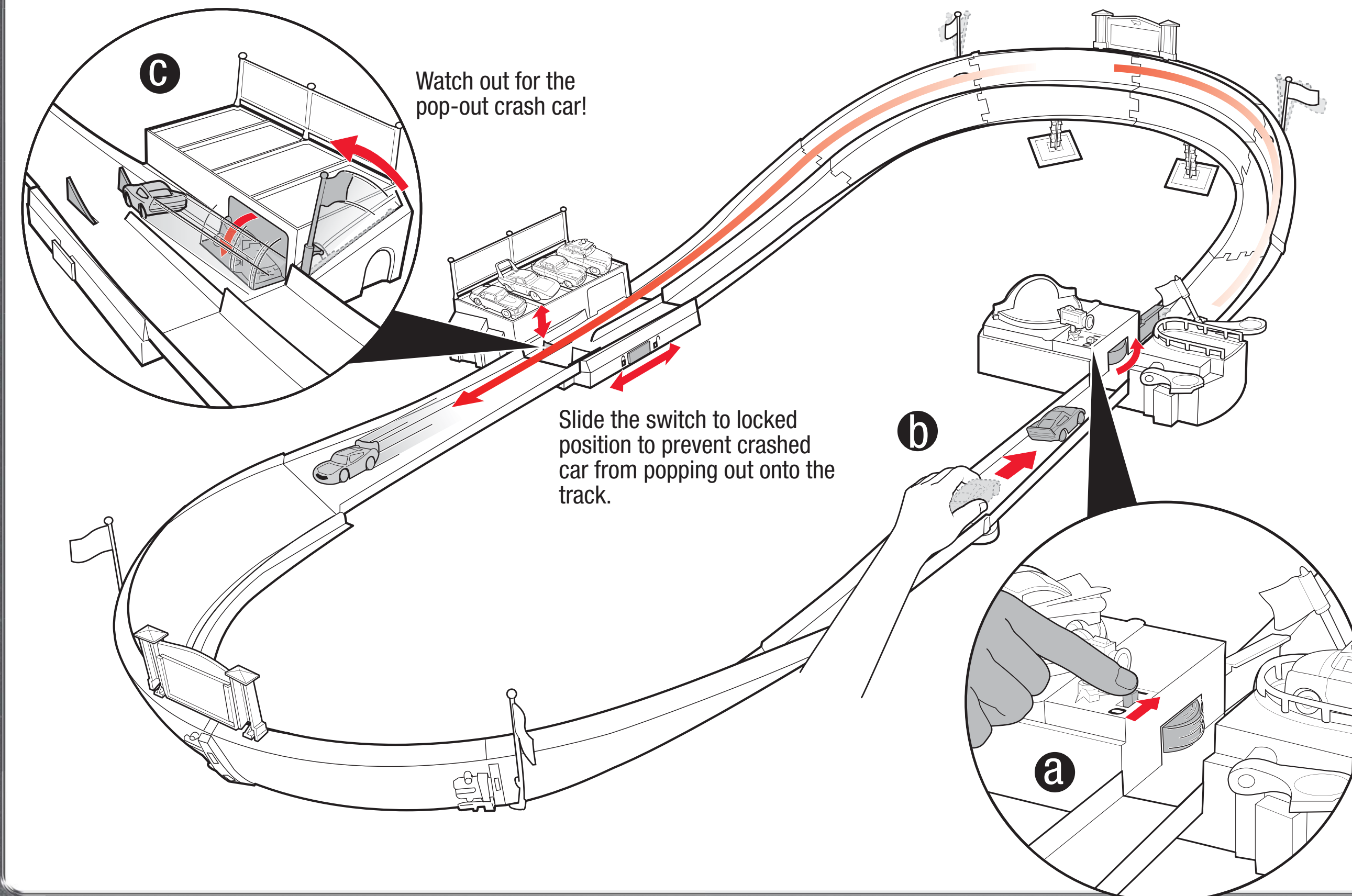
### Assembly



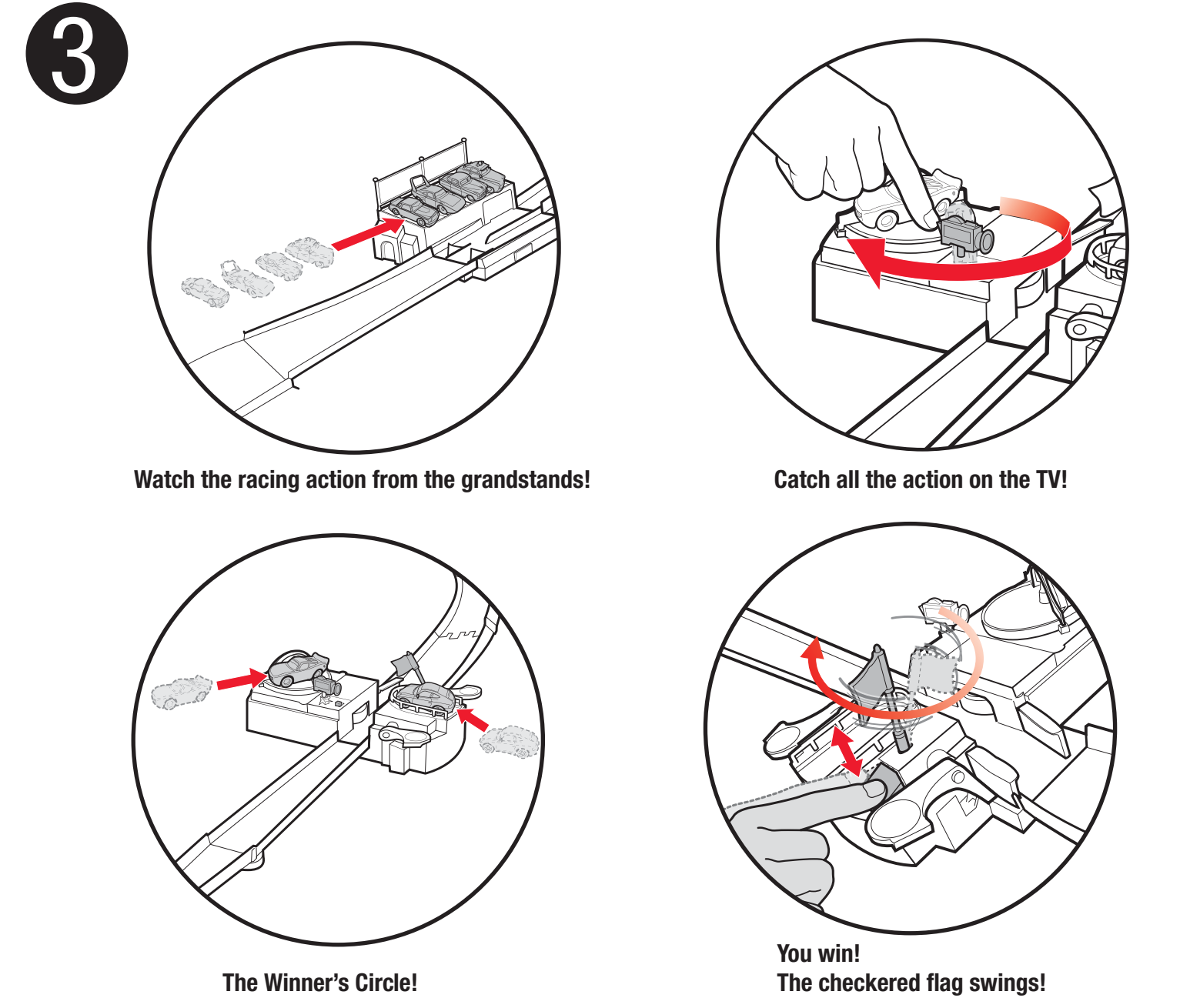
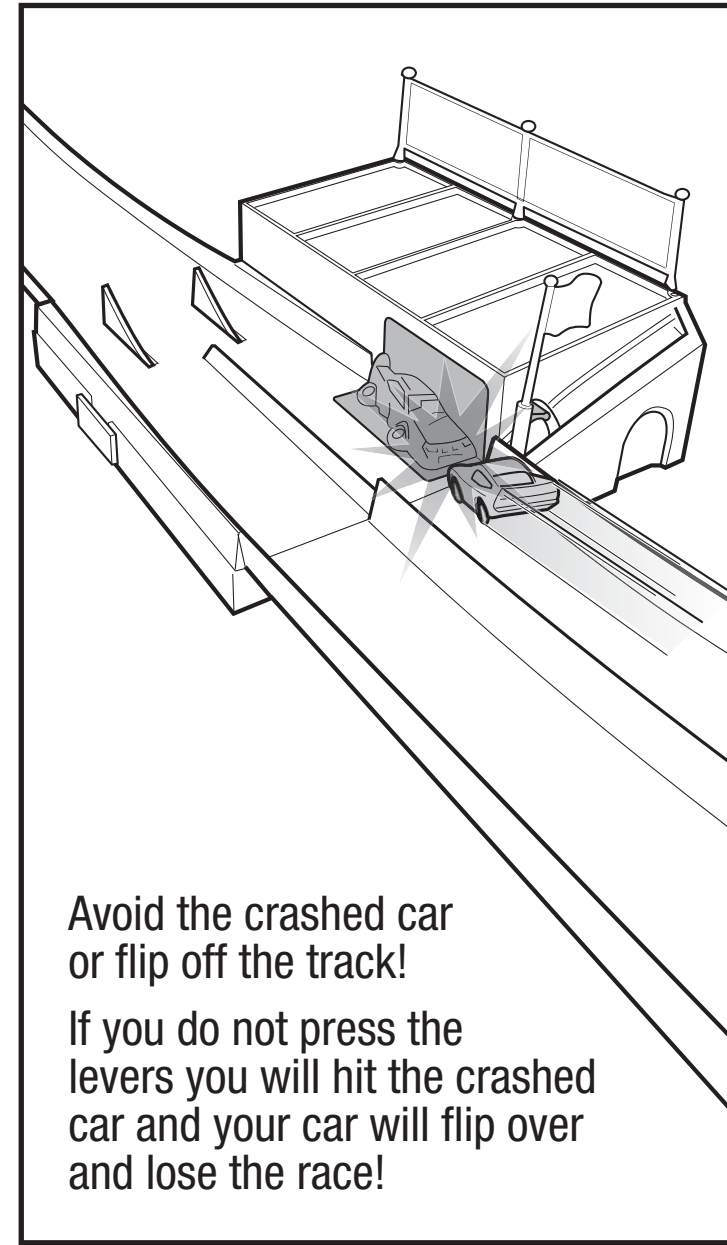
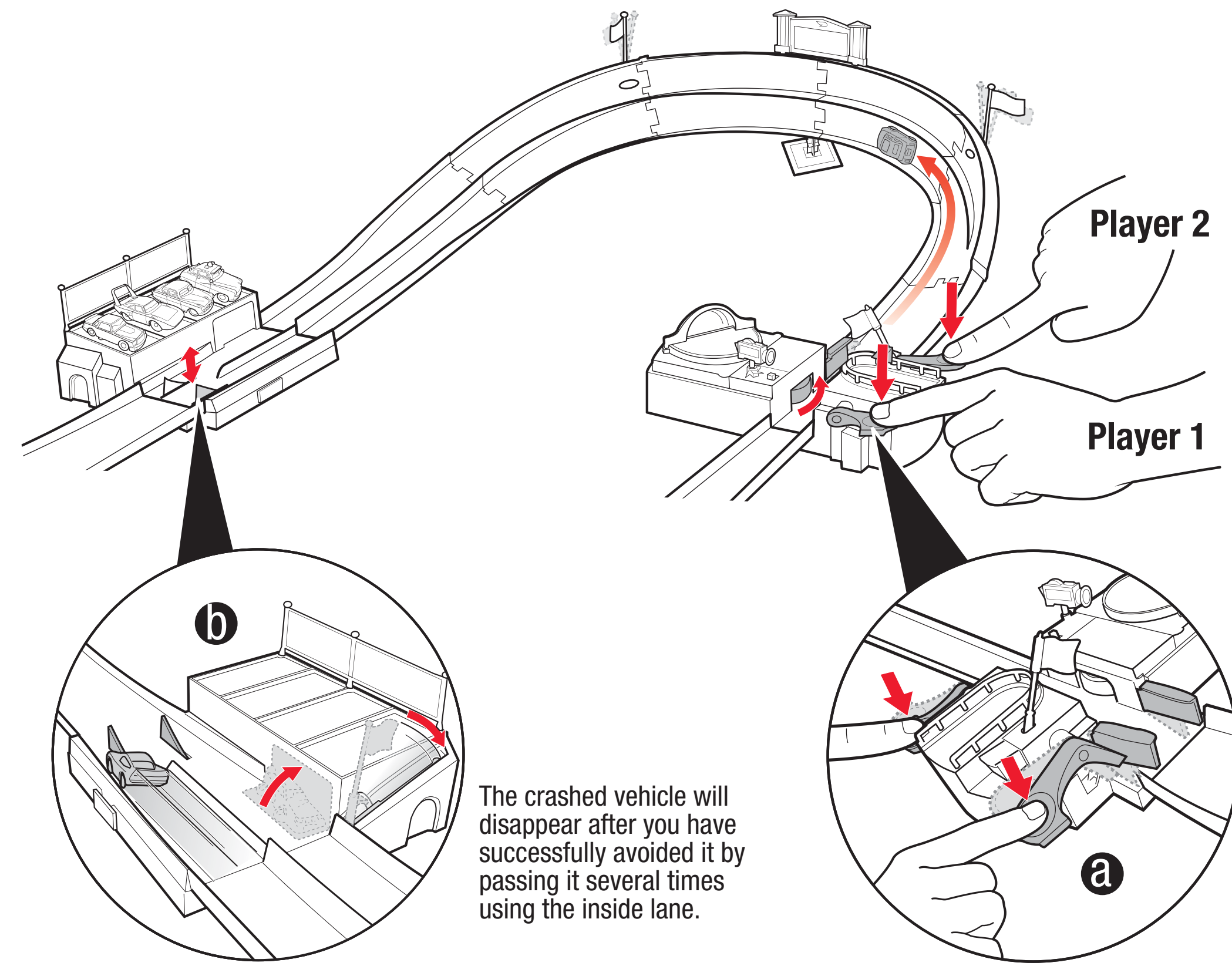


**To Play**

**1** Move switch to ON position (A).  
A hidden "crashed" car will appear on the track and the caution flag will go up (C) after your car has completed several laps around the track.



**2** Two players can race against each other!  
Use the lane change levers for high-speed passing and to race past your opponent!  
Avoid hitting the crashed car by pressing down on either lever to divert your car onto the inside lane.



The following vehicles are recommended for use on this set:

