



Please keep this instruction sheet for future reference, as it contains important information.

Requires three LR44 button cell **alkaline** batteries (included) for bear toy operation.

Adult assembly is required.

Tool needed for assembly: Phillips screwdriver (not included).

Wipe with a clean cloth dampened with a mild soap and water solution. Do not immerse this toy.

FOR DOLL ONLY. NOT INTENDED FOR CHILD USE.

Doll sold separately.

Assembled Parts

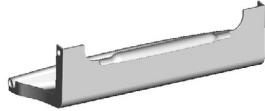


CAUTION

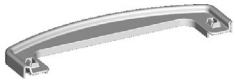
This package contains small parts. For adult assembly only.



Front Brace



Back Brace



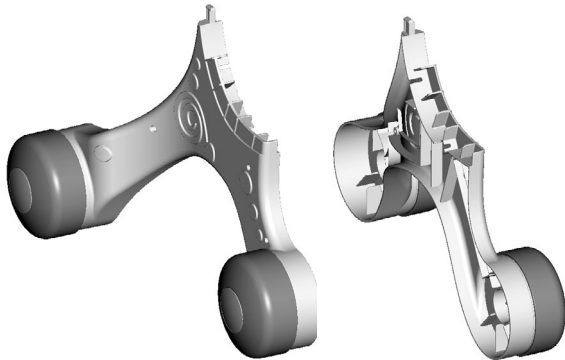
Support Bar



Tray



Seat



2 Frames



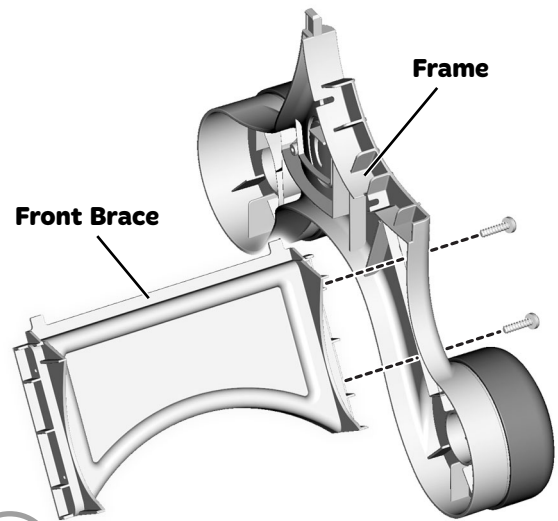
M3,5 x 15mm
Screw - 8



M4,5 x 18mm
Washer Head Screw - 4

Both Shown Actual Size

Note: Tighten and loosen all screws with a Phillips screwdriver. Do not over-tighten.



1



- Fit the front brace onto one of the frames.

Hint: The front brace will only fit on the frame one way. If it does not seem to fit, turn it around and try again!

- Insert two M3,5 x 15mm screws into the holes in the frame and tighten.



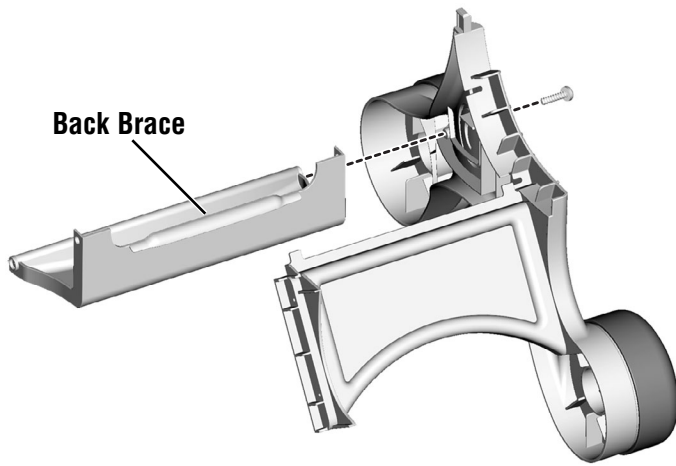
BACK VIEW

6



- Turn the seat face down. Insert two M3,5 x 15mm screws into the seat and tighten.

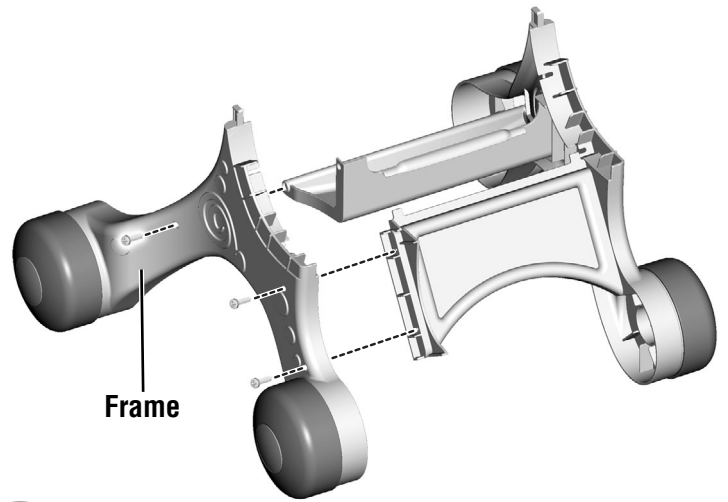
Assembly



2



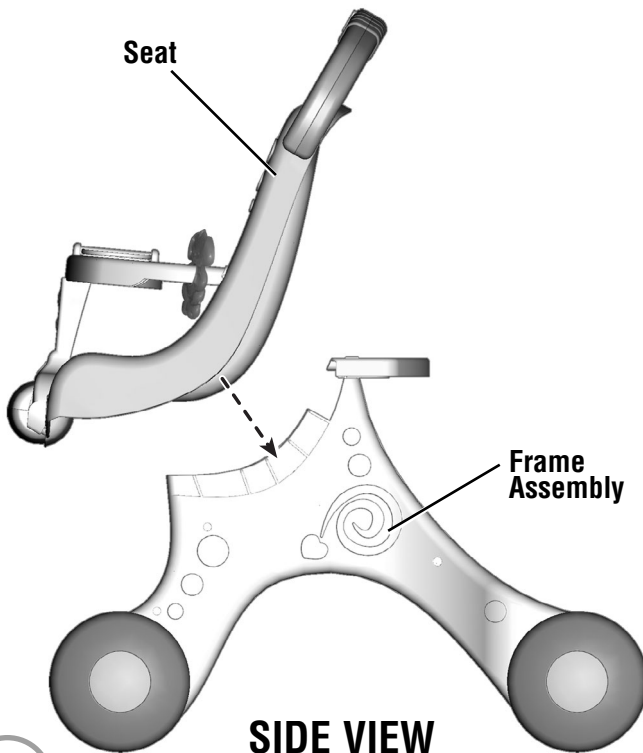
- Fit the back brace onto the same frame.
- Hint: The back brace will only fit on the frame one way. If it does not seem to fit, turn it around and try again!*
- Insert an M3,5 x 15mm screw into the hole in the frame and tighten.



3



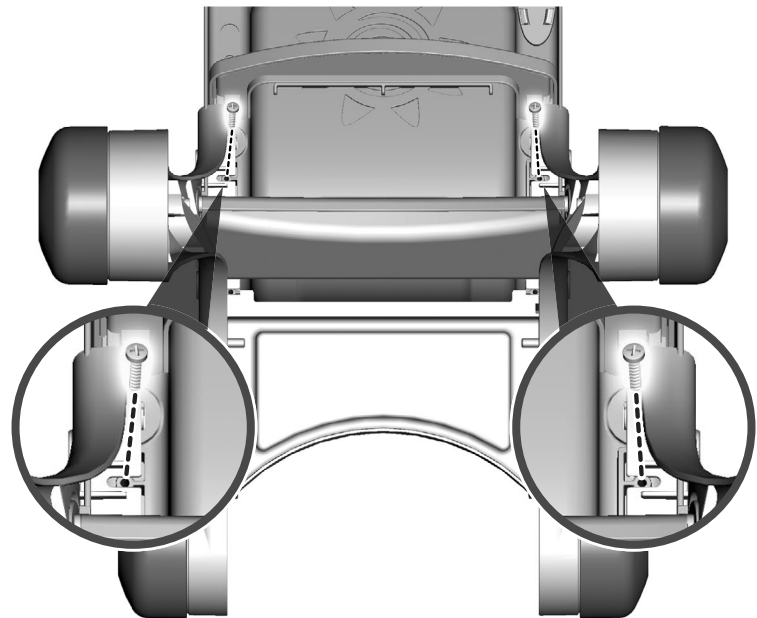
- Fit the other frame onto the braces.
- Insert three M3,5 x 15mm screws into the holes in the frame and tighten.



7

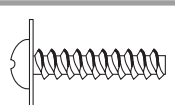
SIDE VIEW

- Fit the seat onto the frame assembly. Push down on the seat to fit in place.

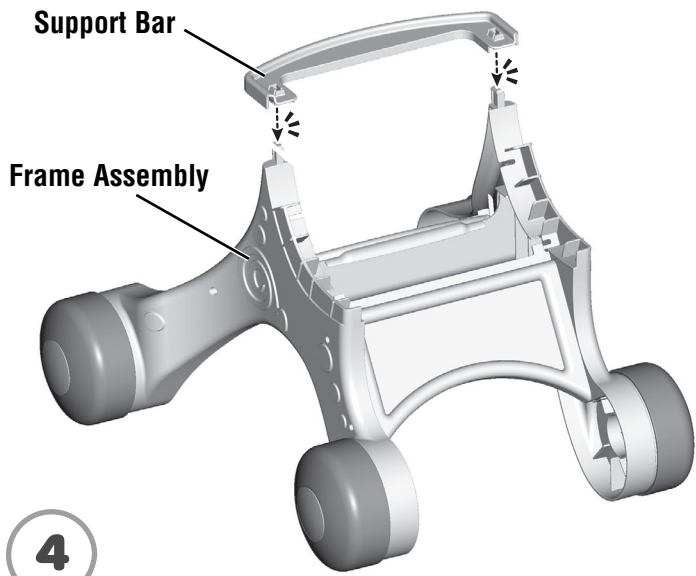


8

BOTTOM VIEW



- While holding the seat in place, turn the assembly face down.
- Insert two M4,5 x 18mm washer head screws into the holes in the back of the seat, as shown.
- Tighten the screws.

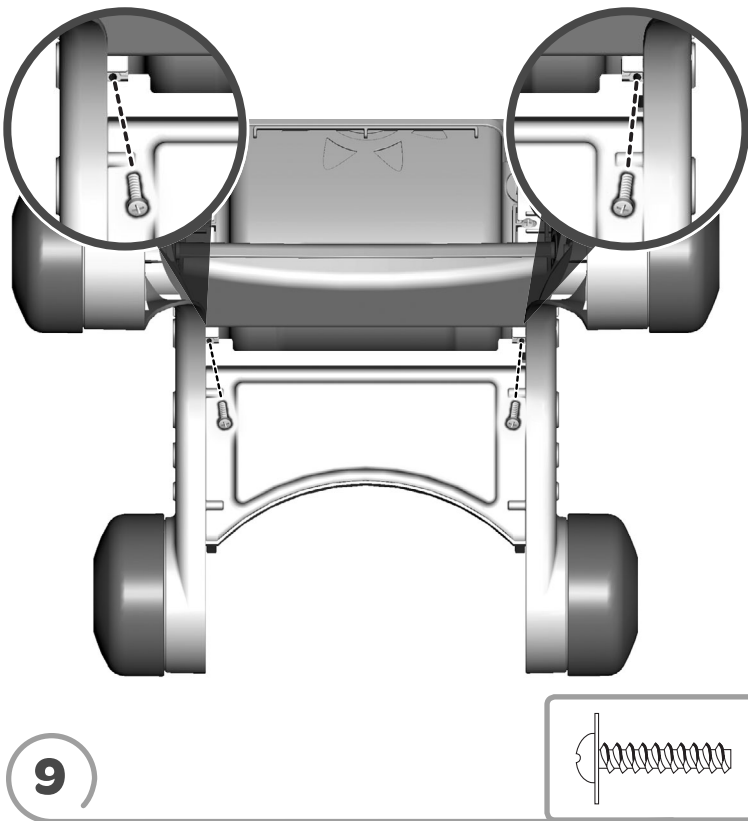


IMPORTANT! This step must be completed before attaching the seat to the frame assembly.

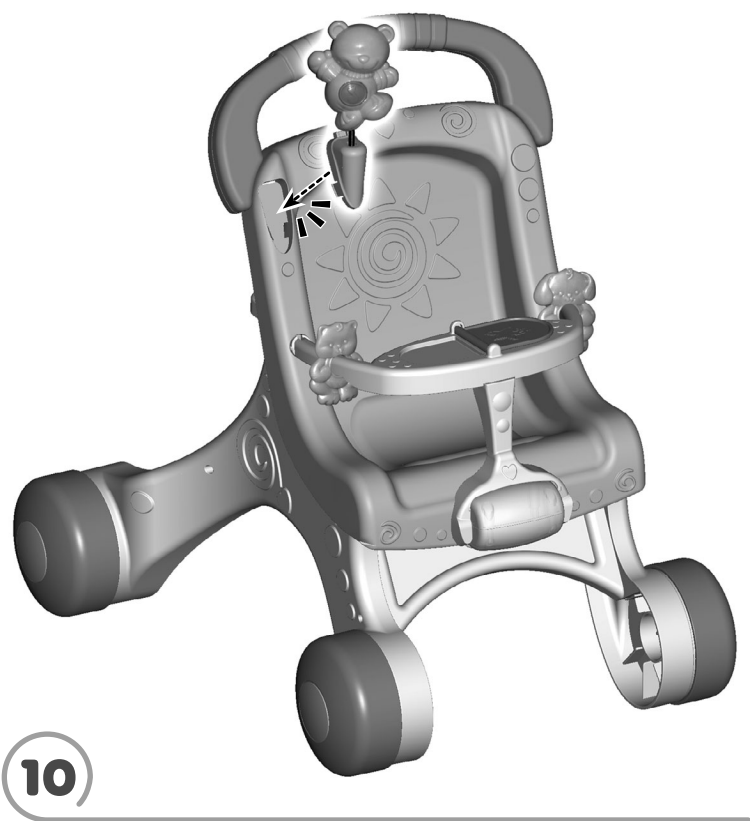
- "Snap" the support bar onto the pegs on the top of the frame assembly.



- "Snap" the tray handles into the holes in the seat.

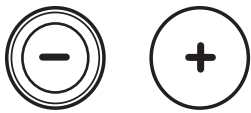


- Insert two M4,5 x 18mm washer head screws into the holes on the bottom of the seat, as shown.
- Tighten the screws.

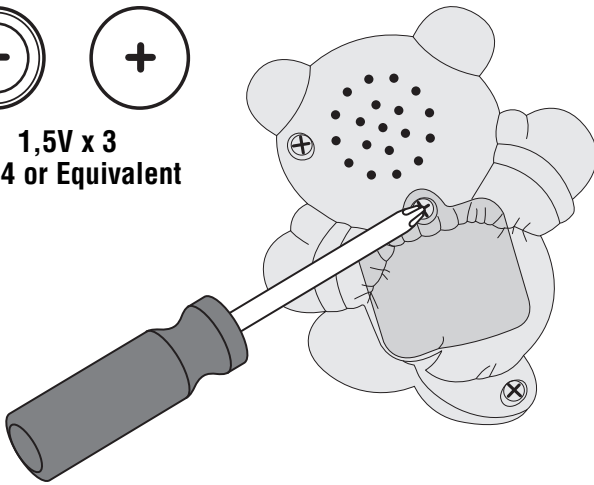


- "Snap" the bear toy into the slot in the seat.

Battery Replacement



1,5V x 3
LR44 or Equivalent



- Locate the battery compartment on the back of the bear.
- Loosen the screw in the battery compartment door with a Phillips screwdriver and remove it.
- Replace the batteries with three, new LR44 button cell **alkaline** batteries.
- Replace the battery compartment door and tighten the screw.
- If this toy begins to operate erratically, you may need to reset the electronics. Remove the batteries and reinstall.
- When sounds become faint or stop, it's time for an adult to change the batteries!



- Protect the environment by not disposing of this product with household waste (2002/96/EC). Check your local authority for recycling advice and facilities.

Battery Safety Information

In exceptional circumstances, batteries may leak fluids that can cause a chemical burn injury or ruin your product. To avoid battery leakage:

- Do not mix old and new batteries or batteries of different types: alkaline, standard (carbon-zinc) or rechargeable (nickel-cadmium).
- Insert batteries as indicated inside the battery compartment.
- Remove batteries during long periods of non-use. Always remove exhausted batteries from the product. Dispose of batteries safely. Do not dispose of this product in a fire. The batteries inside may explode or leak.
- Never short-circuit the battery terminals.
- Use only batteries of the same or equivalent type, as recommended.
- Do not charge non-rechargeable batteries.
- Remove rechargeable batteries from the product before charging.
- If removable, rechargeable batteries are used, they are only to be charged under adult supervision.

FCC Statement

United States Only

This equipment has been tested and found to comply with the limits for a Class B digital device, pursuant to Part 15 of the FCC Rules. These limits are designed to provide reasonable protection against harmful interference in a residential installation. This equipment generates, uses and can radiate radio frequency energy and, if not installed and used in accordance with the instructions, may cause harmful interference to radio communications. However, there is no guarantee that interference will not occur in a particular installation. If this equipment does cause harmful interference to radio or television reception, which can be determined by turning the equipment off and on, the user is encouraged to try to correct the interference by one or more of the following measures:

- Reorient or relocate the receiving antenna.
- Increase the separation between the equipment and receiver.
- Consult the dealer or an experienced radio/TV technician for help.

Note: Changes or modifications not expressly approved by the manufacturer responsible for compliance could void the user's authority to operate the equipment. This device complies with Part 15 of the FCC Rules. Operation is subject to the following two conditions: (1) This device may not cause harmful interference and (2) this device must accept any interference received, including interference that may cause undesired operation.

ICES-003

This Class B digital apparatus complies with Canadian ICES-003. Operation is subject to the following two conditions: (1) this device may not cause harmful interference and (2) this device must accept any interference received, including interference that may cause undesired operation.

NMB-003

Cet appareil numérique de la classe B est conforme à la norme NMB-003 du Canada. L'utilisation de ce dispositif est autorisée seulement aux conditions suivantes : (1) il ne doit pas produire de brouillage et (2) l'utilisateur du dispositif doit être prêt à accepter tout brouillage radioélectrique reçu, même si ce brouillage est susceptible de compromettre le fonctionnement du dispositif.

Sit 'n Play

Press the button
on the bear
for musical tunes.



Sturdy Walker



CONSUMER ASSISTANCE

1-800-432-5437 (US & Canada)
1300 135 312 (Australia)

service.fisher-price.com

Fisher-Price, Inc., 636 Girard Avenue, East Aurora, NY 14052.
Hearing-impaired consumers: 1-800-382-7470.

Outside the United States:

Canada: Mattel Canada Inc., 6155 Freemont Blvd.,
Mississauga, Ontario L5R 3W2; service.mattel.com.

Great Britain: Mattel UK Ltd, Vanwall Business Park,
Maidenhead SL6 4UB. Helpline: 01628 500303.
service.mattel.com/uk

Mattel Europa, B.V., Gondel 1, 1186 MJ Amstelveen, Nederland.

Australia: Mattel Australia Pty. Ltd., 658 Church Street,
Locked Bag #870, Richmond, Victoria 3121 Australia.

New Zealand: 16-18 William Pickering Drive,
Albany 1331, Auckland.