

Fisher-Price®

N0064



imaginext
ADVENTURES

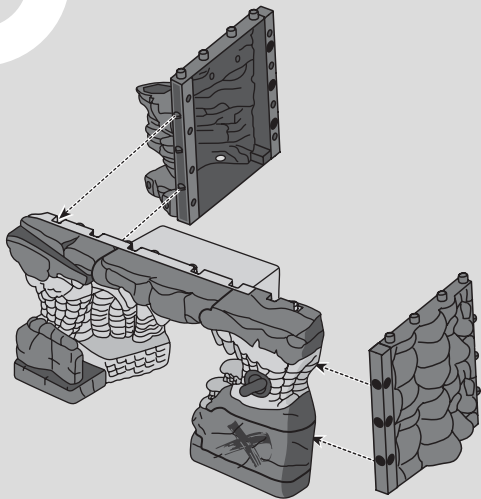
www.fisher-price.com

Welcome to the Imaginext® System

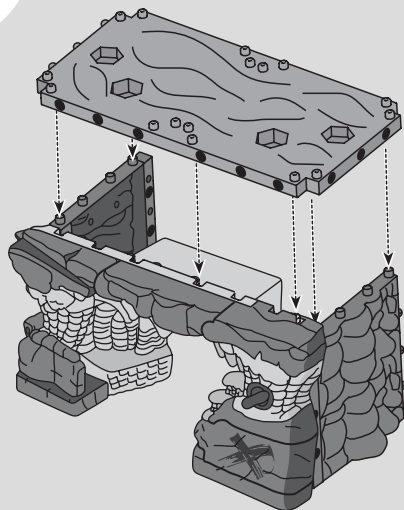


Let's Build It!

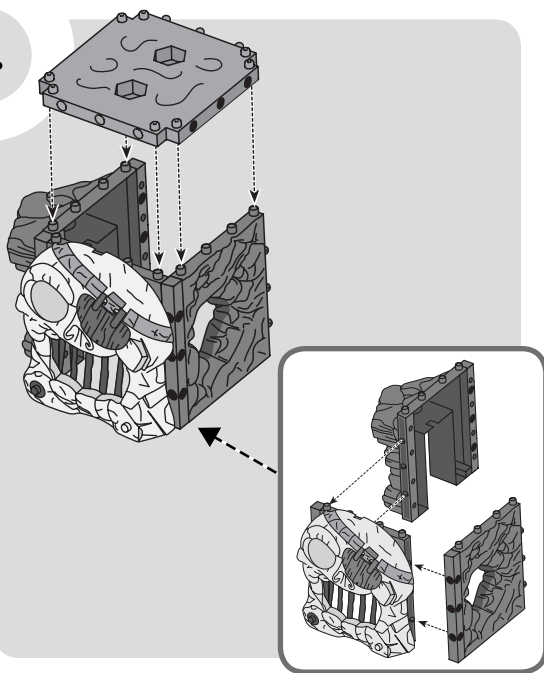
1.



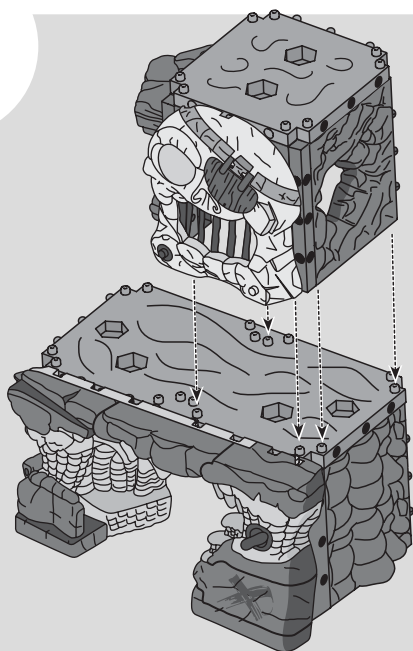
2.



3.

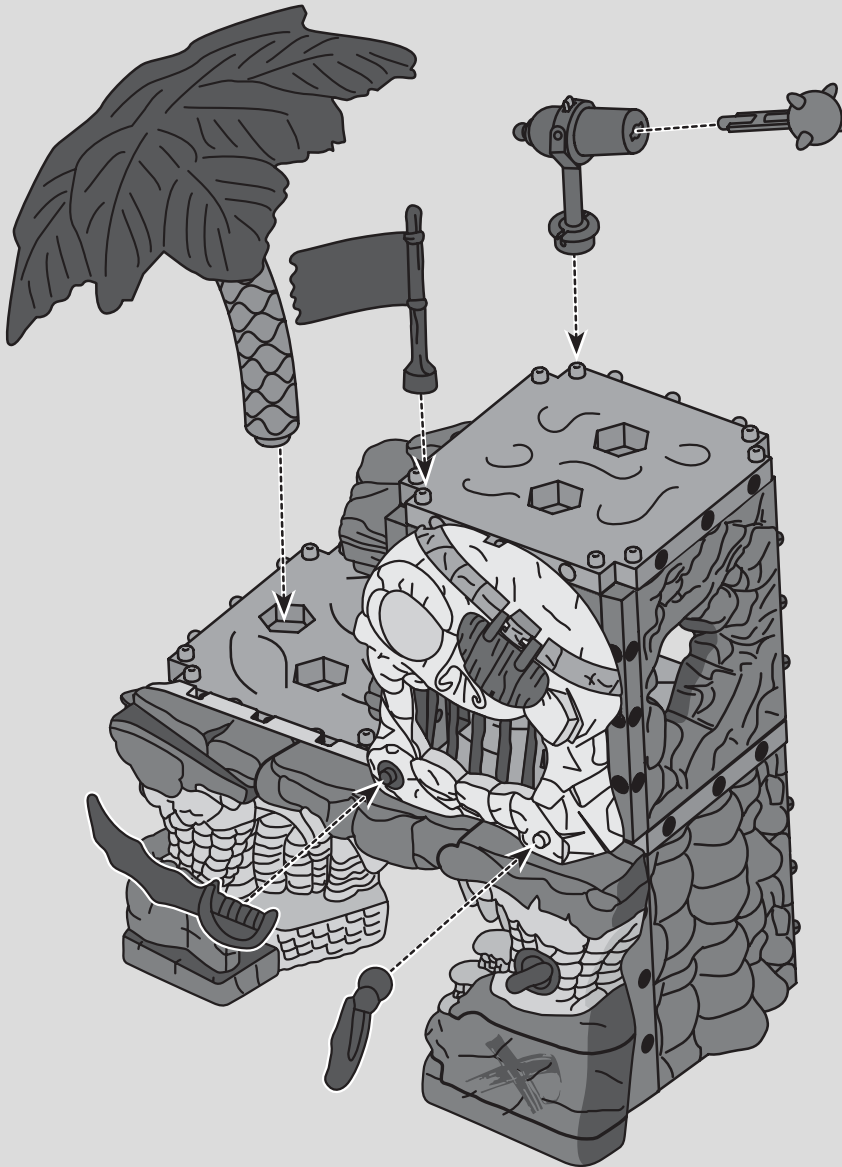


4.



Let's Build It!

5.



Set Sail for Captain Hook's Island!



- Turn the key the right way to unlock treasure!



- Turn the key the wrong way, and rocks block the entrance.



- Pull the sword to trap pirates in the skull's mouth.



- "Fire" the cannon!

IMPORTANT: Only use projectiles supplied with this toy. Do not launch at people or animals or at point blank range.

Care

- Wipe this toy with a clean cloth dampened with a mild soap and water solution.
- Do not immerse this toy.



Please keep this instruction sheet for future reference, as it contains important information.

? **CONSUMER ASSISTANCE**
 Call toll free: 1-800-432-5437 (US & Canada only)
 M-F 9AM to 7PM / SAT 11AM to 5PM (EST)

service.fisher-price.com

Write to us at: Fisher-Price® Consumer Relations,
 636 Girard Avenue, East Aurora, New York 14052.

Hearing-impaired consumers using TTY/TDD equipment,
 please call 1-800-382-7470.

For countries outside the United States:

Canada: Mattel Canada Inc., 6155 Freemont Blvd.,
 Mississauga, Ontario L5R 3W2; www.service.mattel.com.

Great Britain: [Mattel UK Ltd, Vanwall Business Park,
 Maidenhead SL6 4UB. Helpline: 01628 500303.
 www.service.mattel.com/uk](http://www.service.mattel.com/uk)

Australia: Mattel Australia Pty. Ltd., 658 Church Street,
 Locked Bag #870, Richmond, Victoria 3121 Australia.
 Consumer Advisory Service 1300 135 312.

New Zealand: 16-18 William Pickering Drive,
 Albany 1331, Auckland.

Asia: Mattel East Asia Ltd, Room 1106, South Tower,
 World Finance Centre, Harbour City, Tsimshatsui, HK, China.