



Instructions

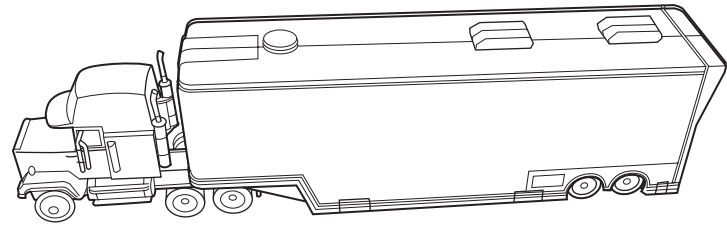


N2041-0920

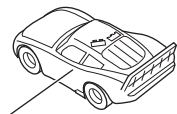
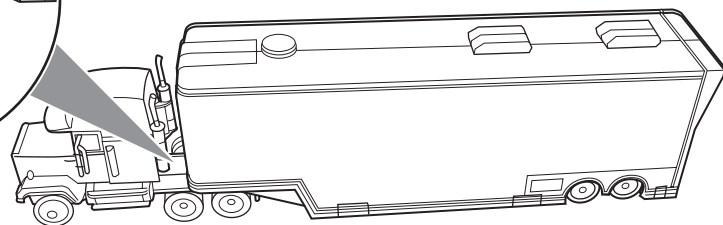
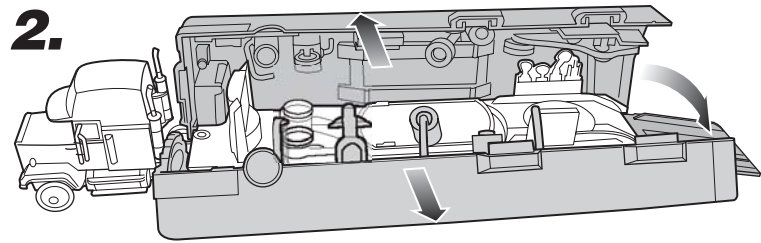
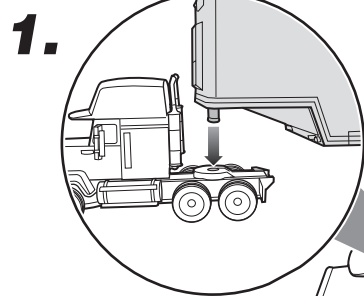
4+

Please keep these instructions for future reference as they contain important information.

Contents



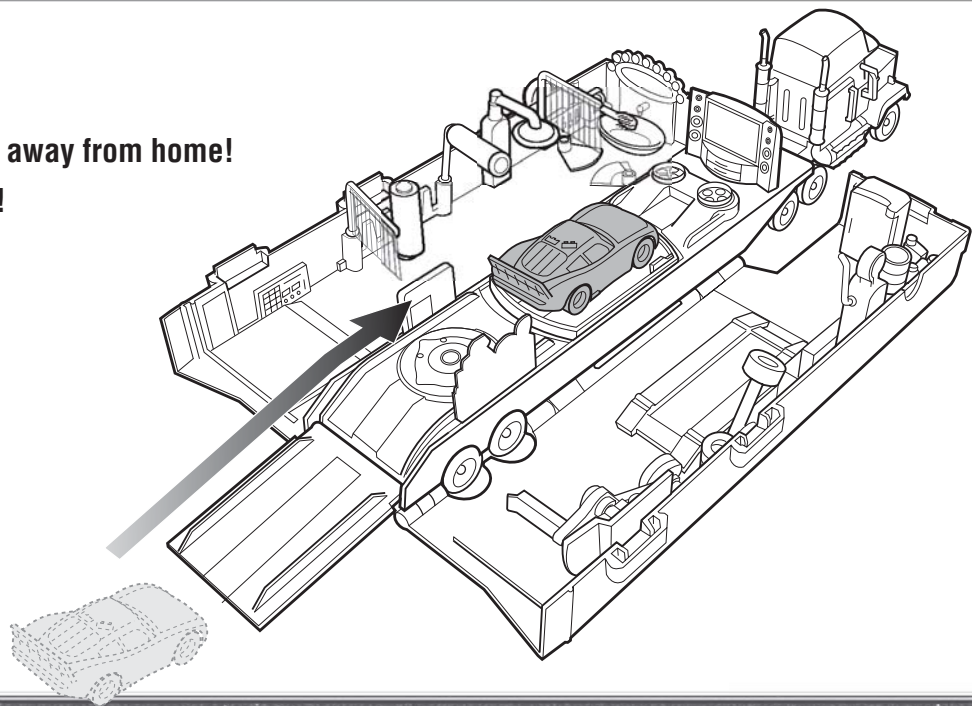
Get ready to play



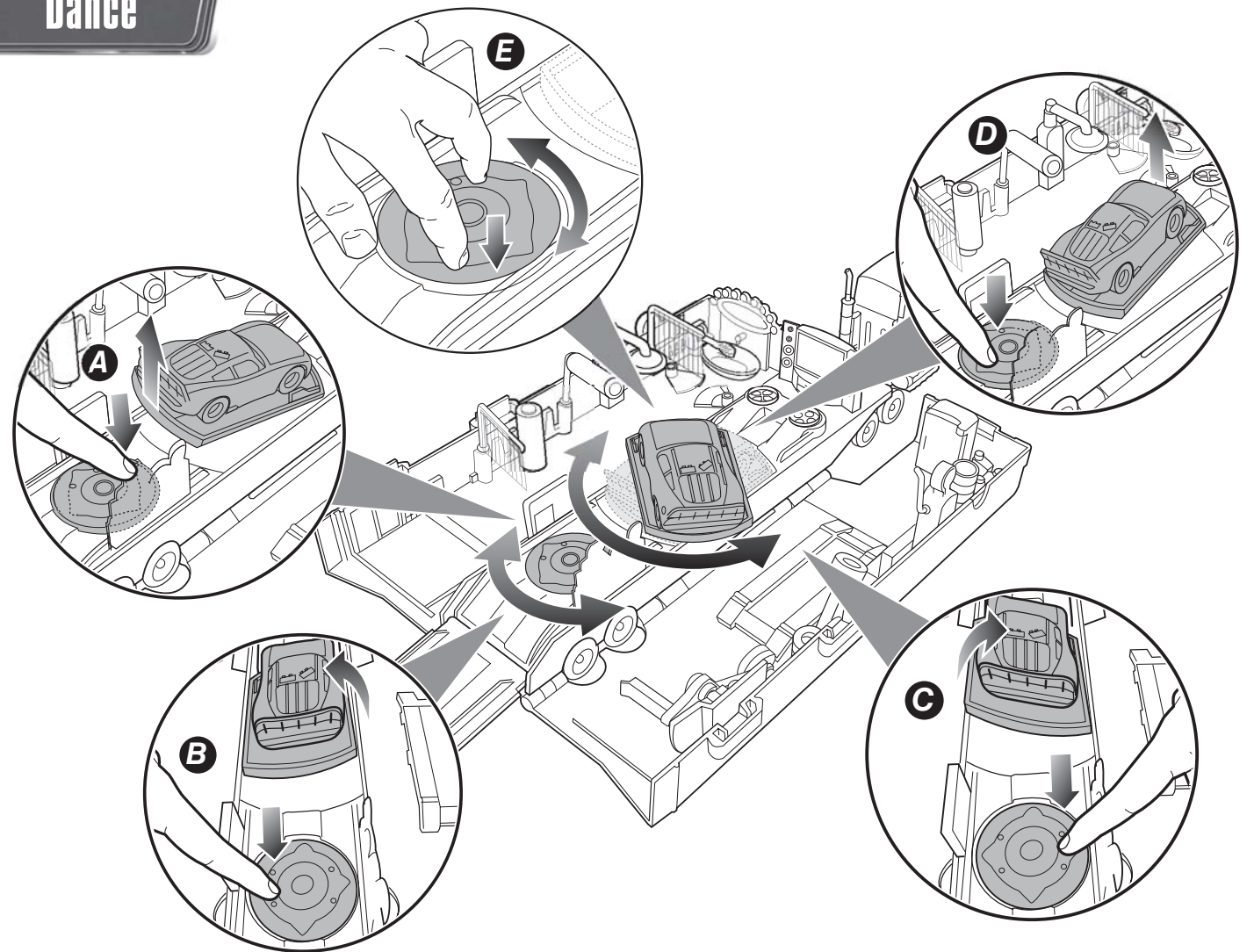
Vehicle not included.

Watch TV

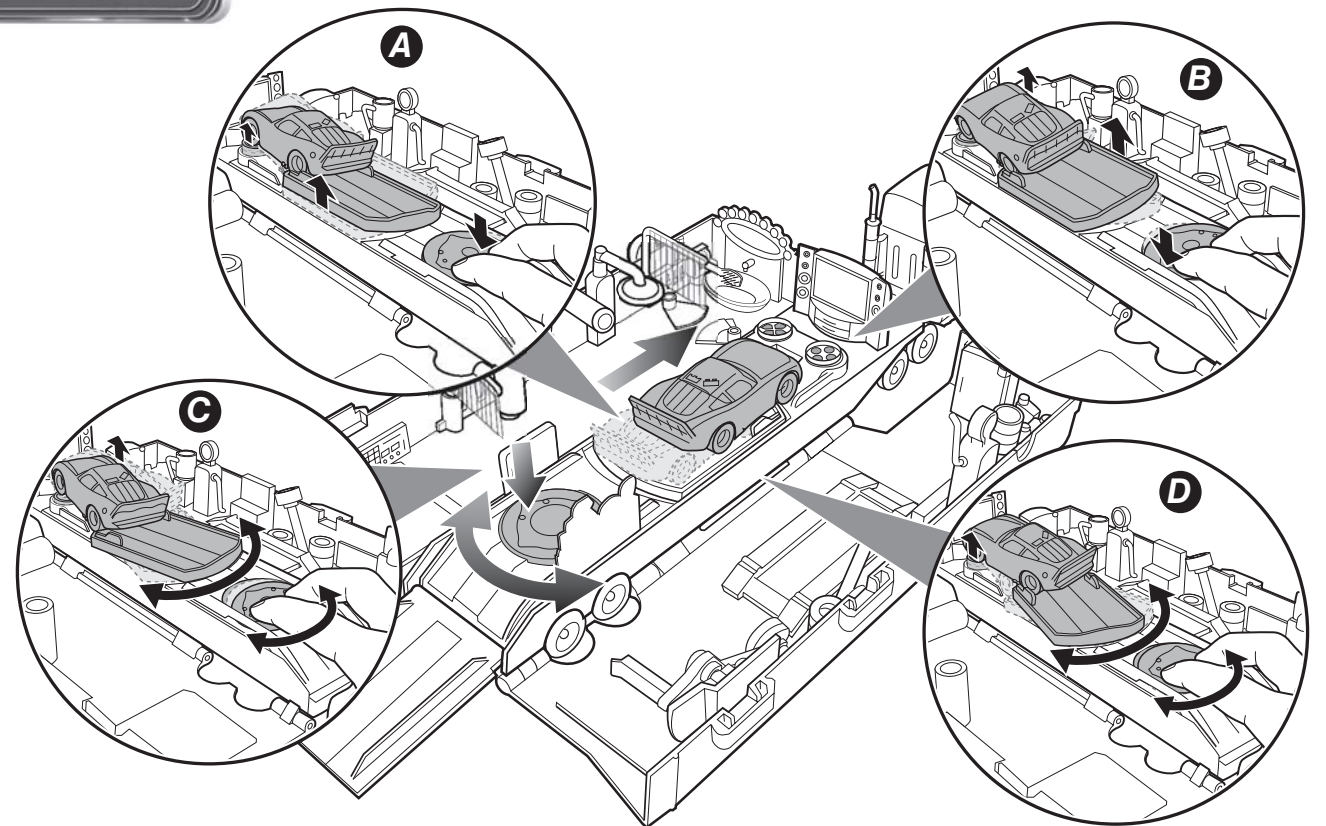
Lightning McQueen's home away from home!
Rest up before the big race!



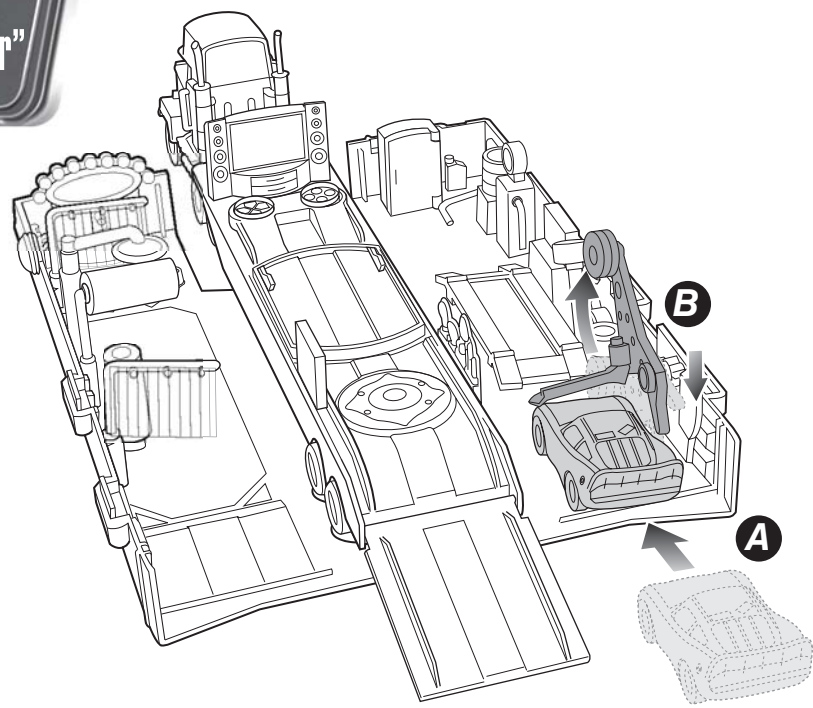
Dance



"Play" video games

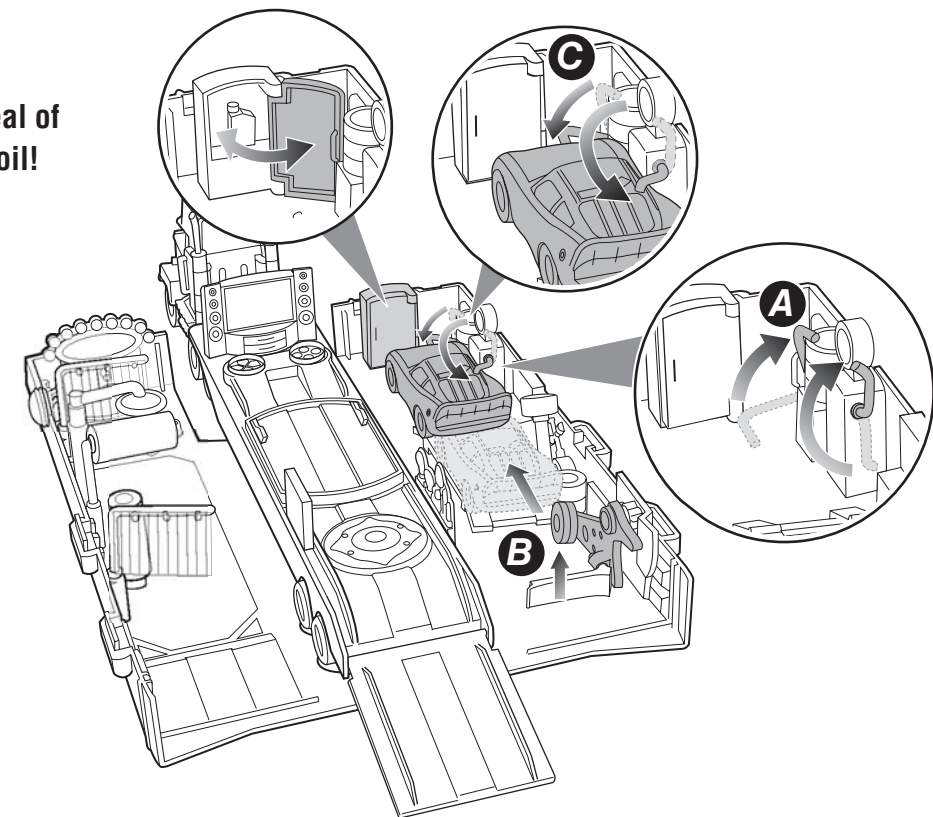


"Test Your Max Horsepower"

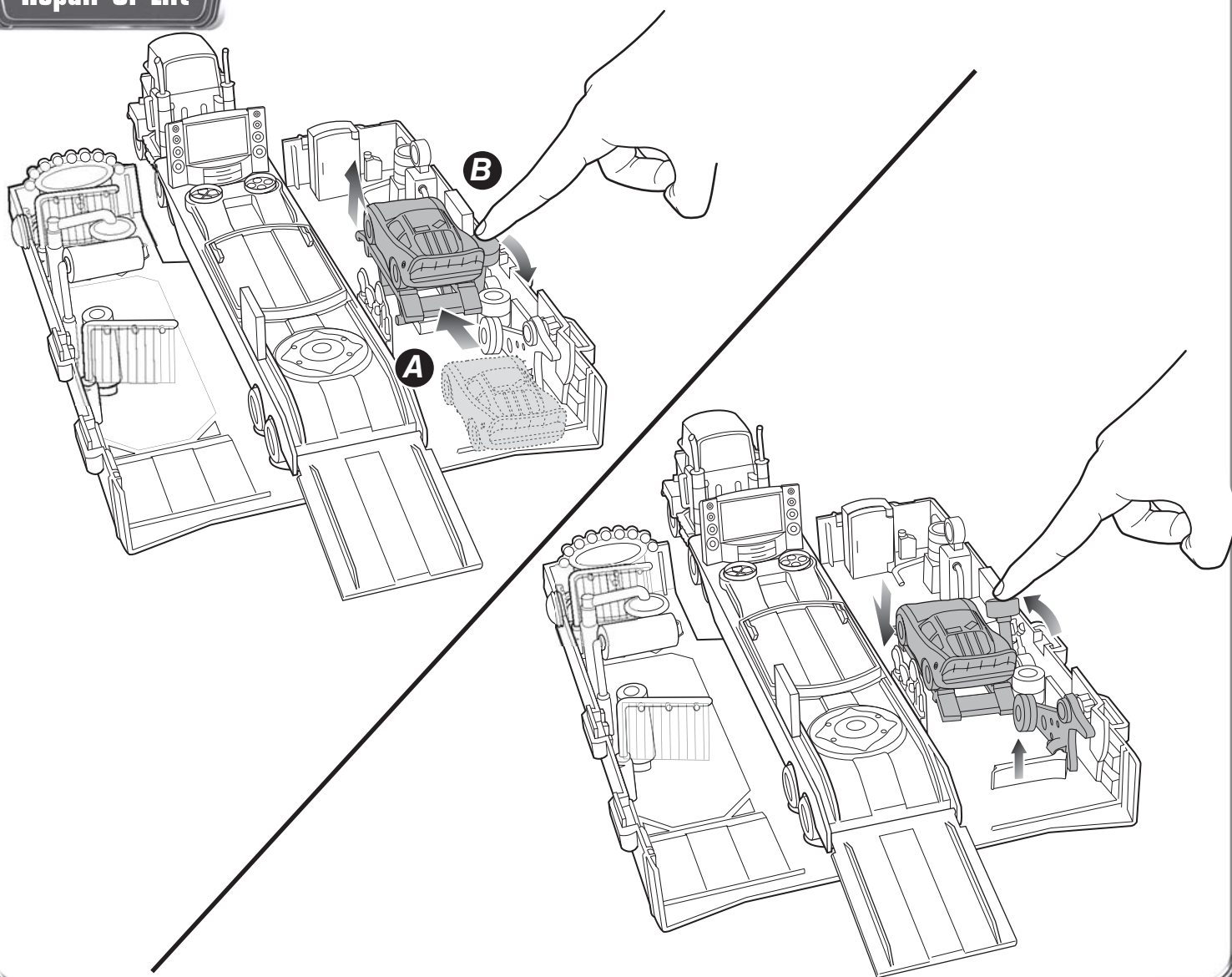


"Eat In Kitchen"

Come home to a good meal of gourmet gas, water, and oil!

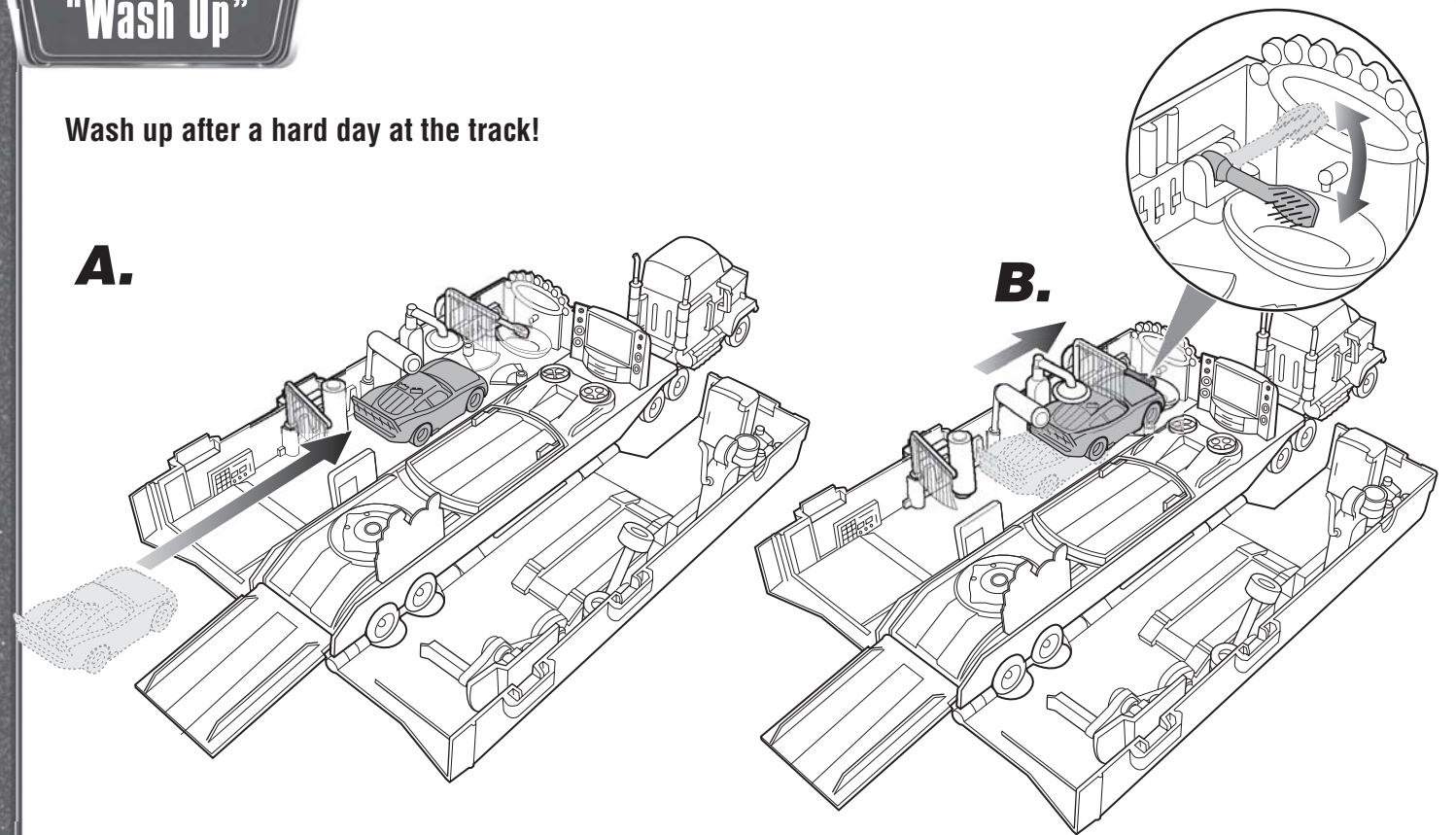


"Repair Or Lift"



"Wash Up"

Wash up after a hard day at the track!



© Disney/Pixar

Mattel, Inc., 333 Continental Blvd., El Segundo, CA 90245 U.S.A. Consumer Relations 1 (800) 524-8697. [Mattel U.K. Ltd., Vanwall Business Park, Maidenhead SL6 4UB.](http://www.mattel.com) [Mattel Australia Pty., Ltd., Richmond, Victoria. 3121.](http://www.mattel.com) Consumer Advisory Service - 1300 135 312. [Mattel East Asia Ltd., Room 1106, South Tower, World Finance Centre, Harbour City, Tsimshatsui, HK, China.](http://www.mattel.com) Diimport & Diedarkan Oleh: [Mattel SEA Ptd Ltd.\(993532-P\) Lot 13.5, 13th Floor, Menara Lien Hoe, Persiaran Tropicana Golf Country Resort, 47410 PJ. Tel:03-78803817, Fax:03-78803867.](http://www.mattel.com) [service.mattel.com](http://www.service.mattel.com)