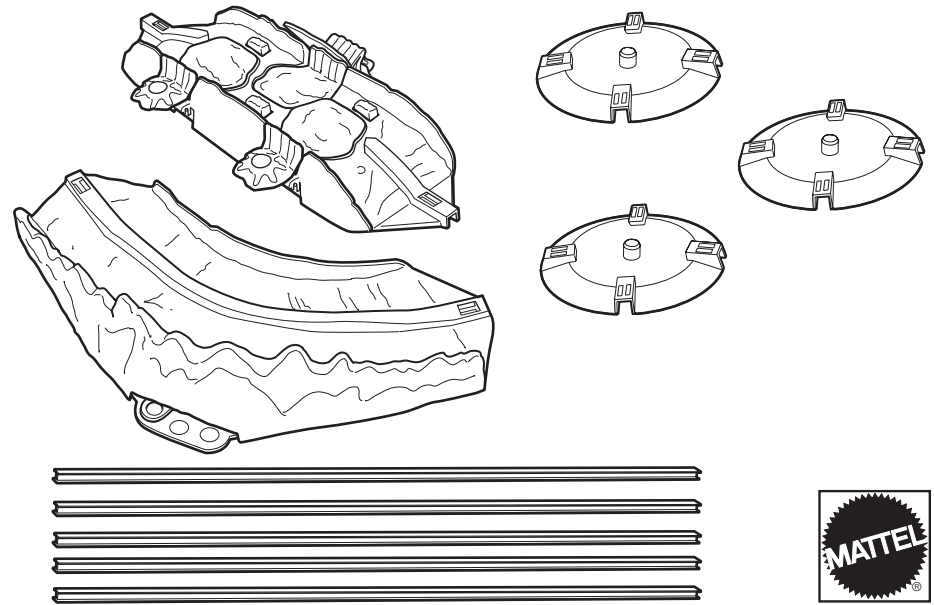


MATCHBOX **LAVA ESCAPE™**
POWER SCOUTS
ADVENTURE SYSTEM
INSTRUCTIONS

Please keep these instructions for future reference as they contain important information.

CONTENTS



READY FOR ACTION

REQUIRES MOTORIZED POWER SCOUTS™ VEHICLE TO PLAY

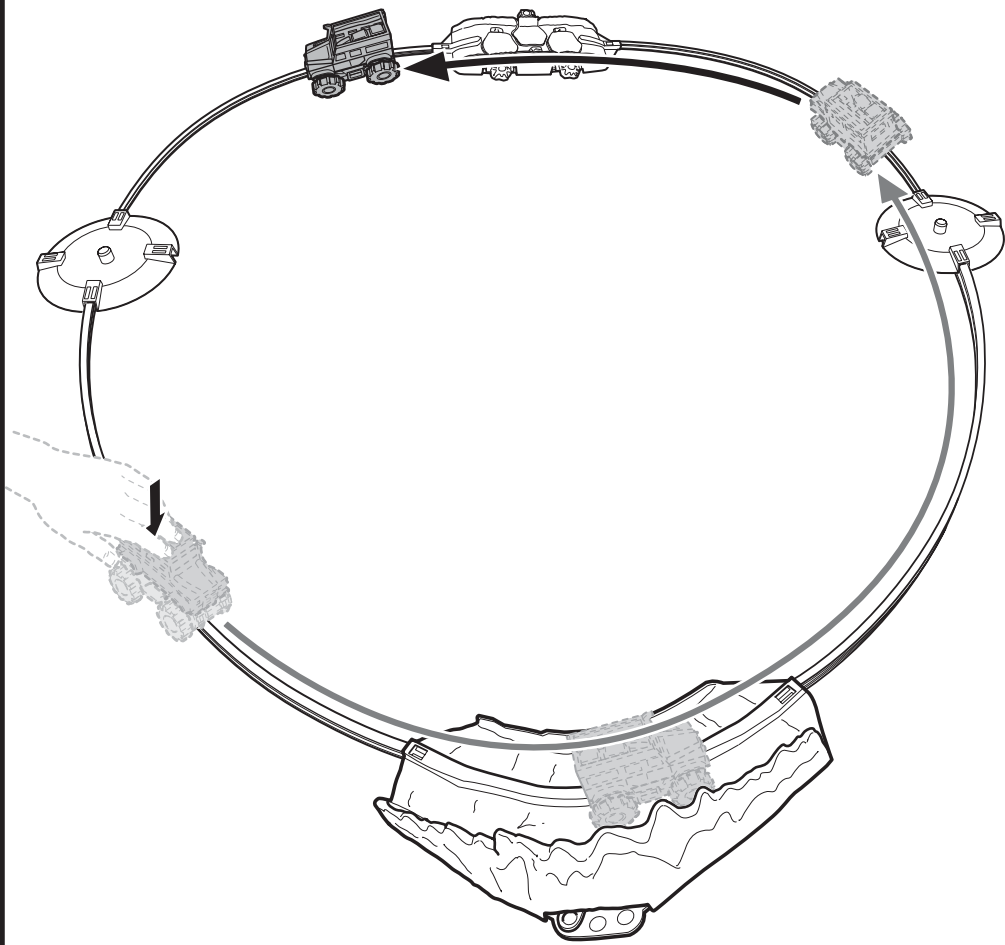
3+

MATCHBOX.COM

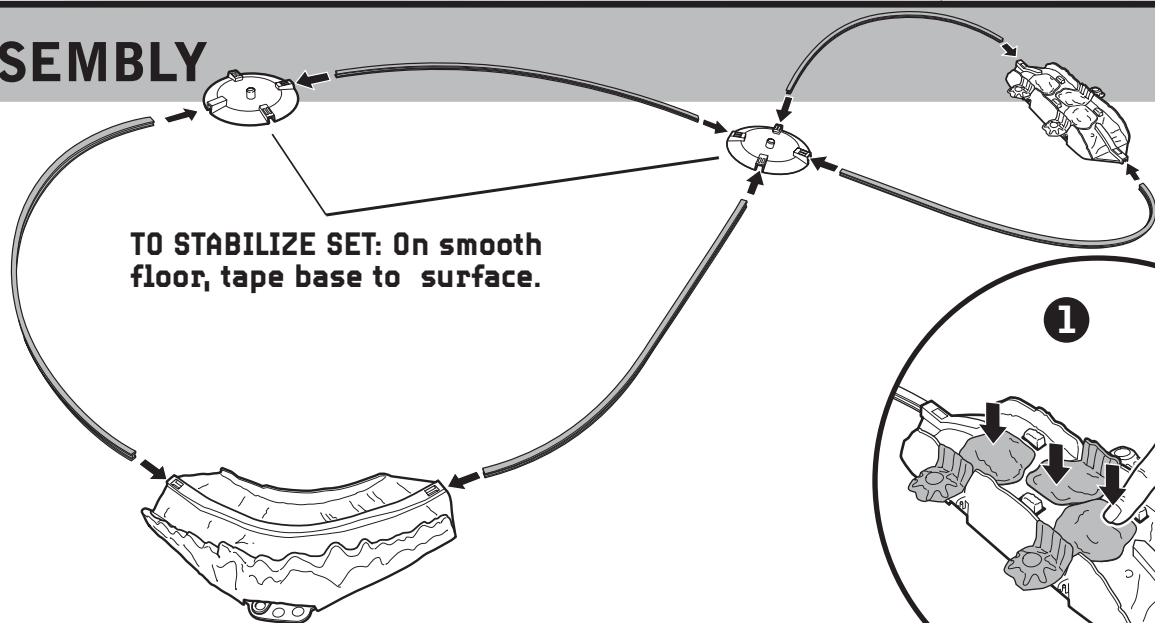
ASST. M9744
N2321-0920G1

© 2008 Mattel, Inc. All Rights Reserved. Mattel, Inc., 333 Continental Blvd., El Segundo, CA 90245 U.S.A. Consumer Relations 1 (800) 524-8697 service.mattel.com • Mattel Canada Inc., Mississauga, Ontario L5R 3W2. You may call us free at 1-800-524-8697. • Mattel U.K. Ltd., Vanwall Business Park, Maidenhead SL6 4UB. Helpline 01628500303 • Mattel Australia Pty Ltd., Richmond, Victoria, 3121. Consumer Advisory Service - 1300 135 312. • Mattel East Asia Ltd., Room 1106, South Tower, World Finance Centre, Harbour City, Tsimshatsui, HK, China. • Diimport & Diedarkan Oleh: Mattel SEA Ptd Ltd. (993532-P) Lot 13.5, Menara Lien Hoe, Persiaran Tropicana Golf Country Resort, 47410 PJ. Tel:03-78803817, Fax:03-78803867.

OPTION 2



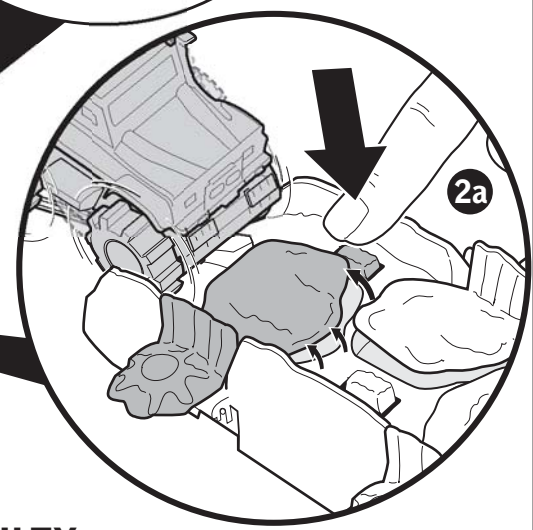
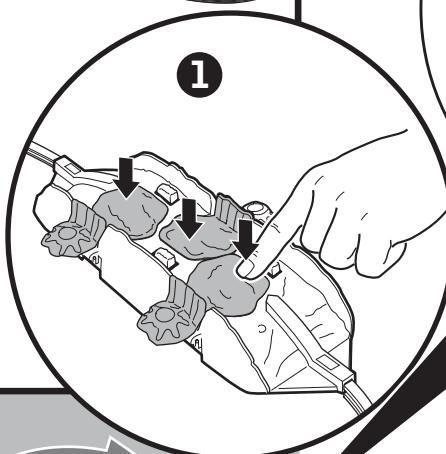
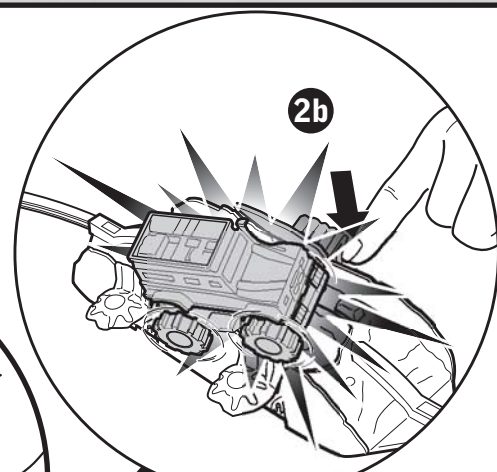
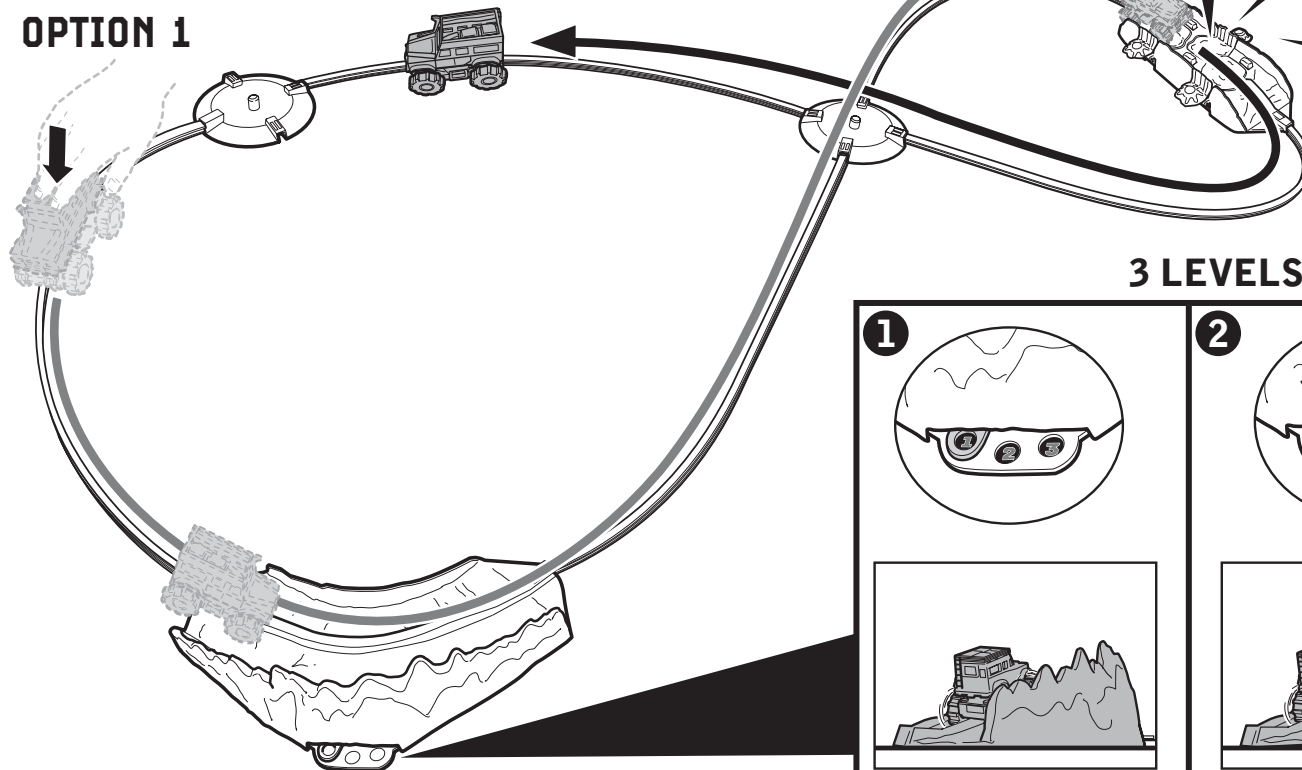
ASSEMBLY



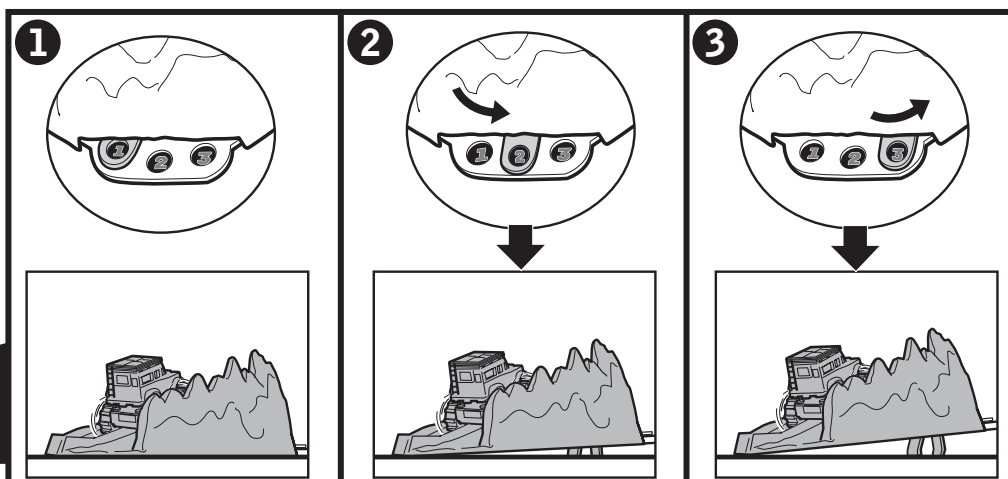
TO STABILIZE SET: On smooth floor, tape base to surface.

TO PLAY

OPTION 1



3 LEVELS OF DIFFICULTY





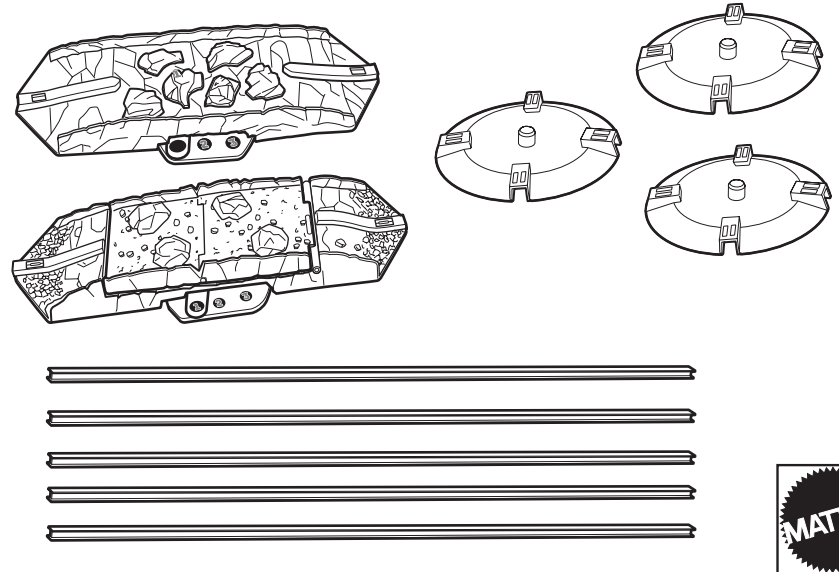
ROCK RIDGE™



INSTRUCTIONS

Please keep these instructions for future reference as they contain important information.

CONTENTS



READY FOR ACTION

REQUIRES MOTORIZED POWER SCOUTS™ VEHICLE TO PLAY

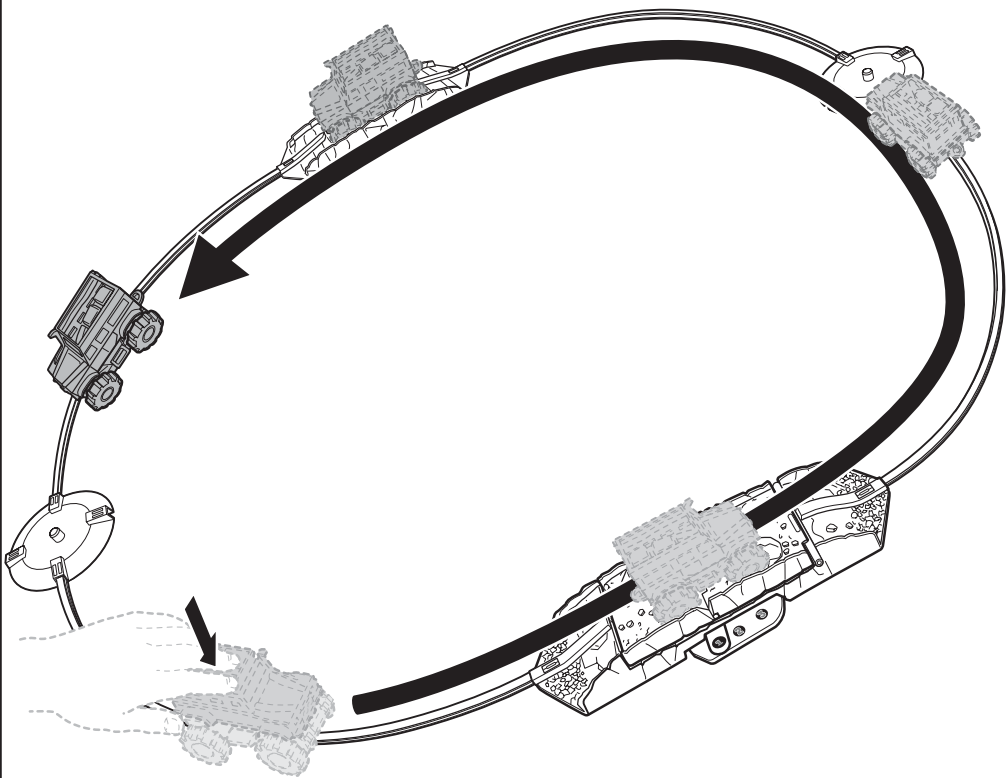
3+

MATCHBOX.COM

ASST. M9744
N2323-0920G1

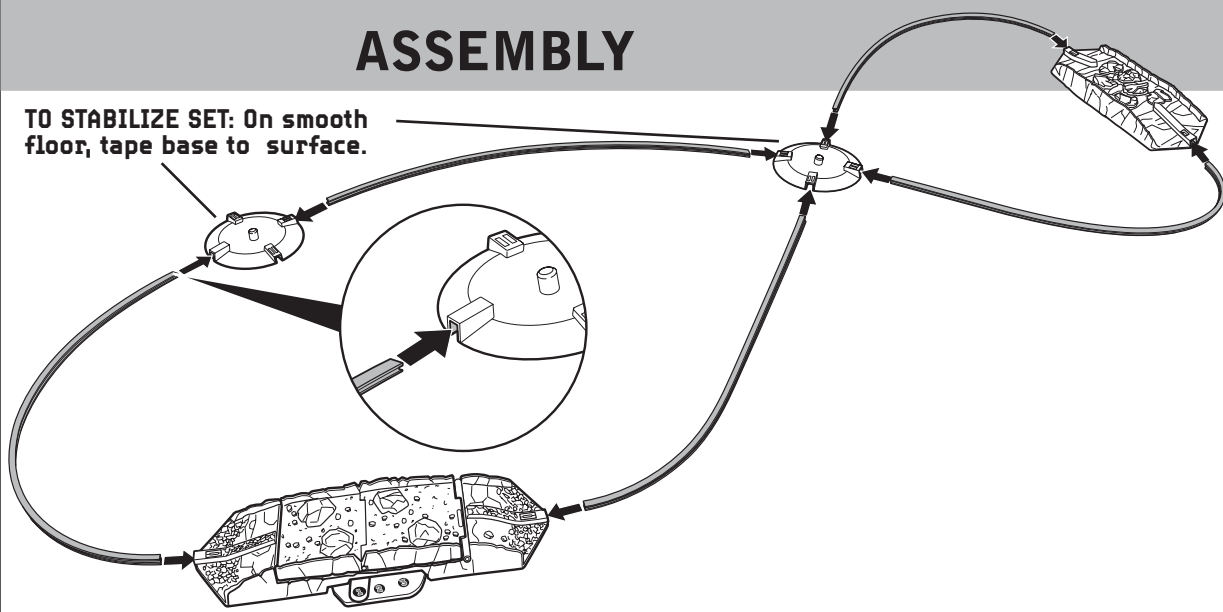
© 2008 Mattel, Inc. All Rights Reserved. Mattel, Inc., 333 Continental Blvd., El Segundo, CA 90245 U.S.A. Consumer Relations 1 (800) 524-8697 service.mattel.com • Mattel Canada Inc., Mississauga, Ontario L5R 3W2. You may call us free at 1-800-524-8697. • Mattel U.K. Ltd., Vanwall Business Park, Maidenhead SL6 4UB. Helpline 01628500303 • Mattel Australia Pty Ltd., Richmond, Victoria, 3121. Consumer Advisory Service - 1300 135 312. • Mattel East Asia Ltd., Room 1106, South Tower, World Finance Centre, Harbour City, Tsimshatsui, HK, China. • Diimport & Diedarkan Oleh: Mattel SEA Ptd Ltd.(993532-P) Lot 13.5, Menara Lien Hoe, Persiaran Tropicana Golf Country Resort, 47410 PJ. Tel:03-78803817, Fax:03-78803867.

OPTION 2



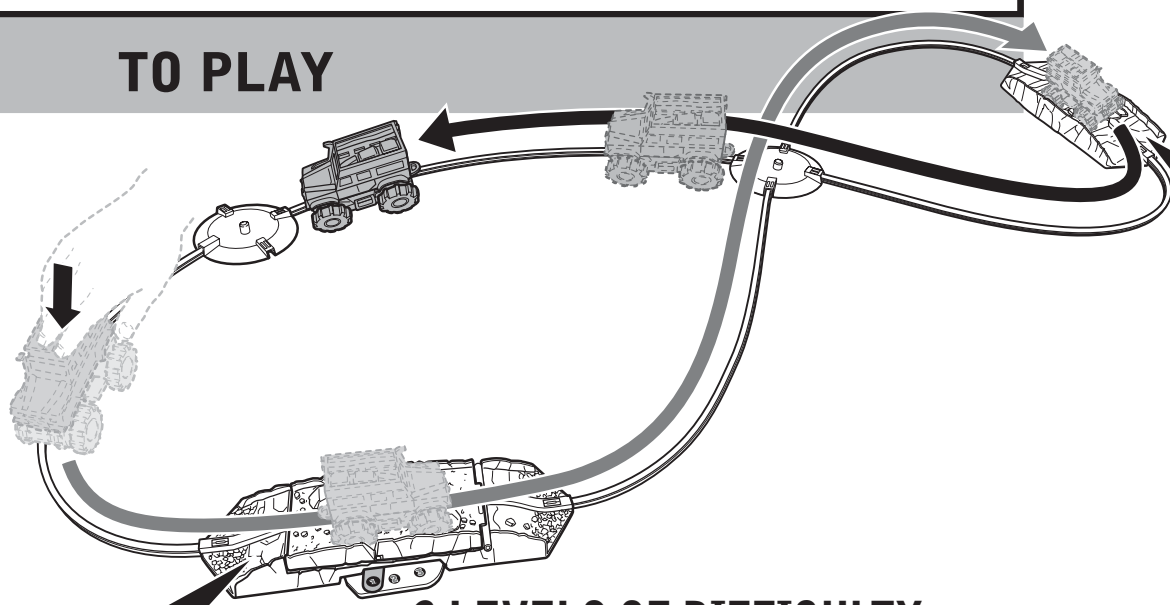
ASSEMBLY

TO STABILIZE SET: On smooth floor, tape base to surface.



TO PLAY

OPTION 1



3 LEVELS OF DIFFICULTY

