


1 Battery Installation / Replacement

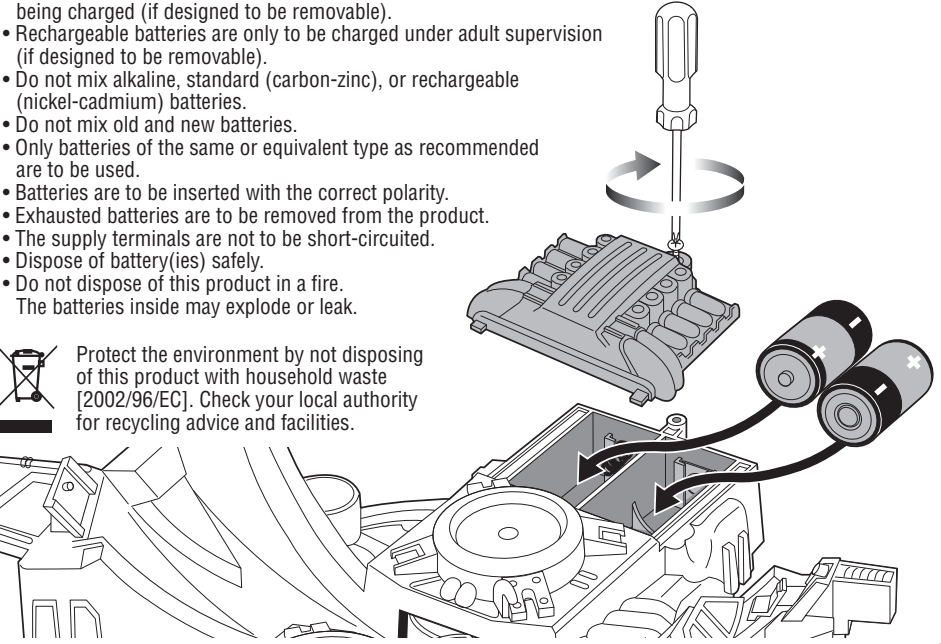
- Unscrew the battery cover with a Phillips head screwdriver (not included).
- Install 2 "D" alkaline batteries (not included) in the orientation (+/-) shown.
- Replace battery cover and tighten screw.
- Replace the batteries when booster can no longer propel cars through the track set.
- For best performance use only alkaline batteries.

BATTERY SAFETY INFORMATION

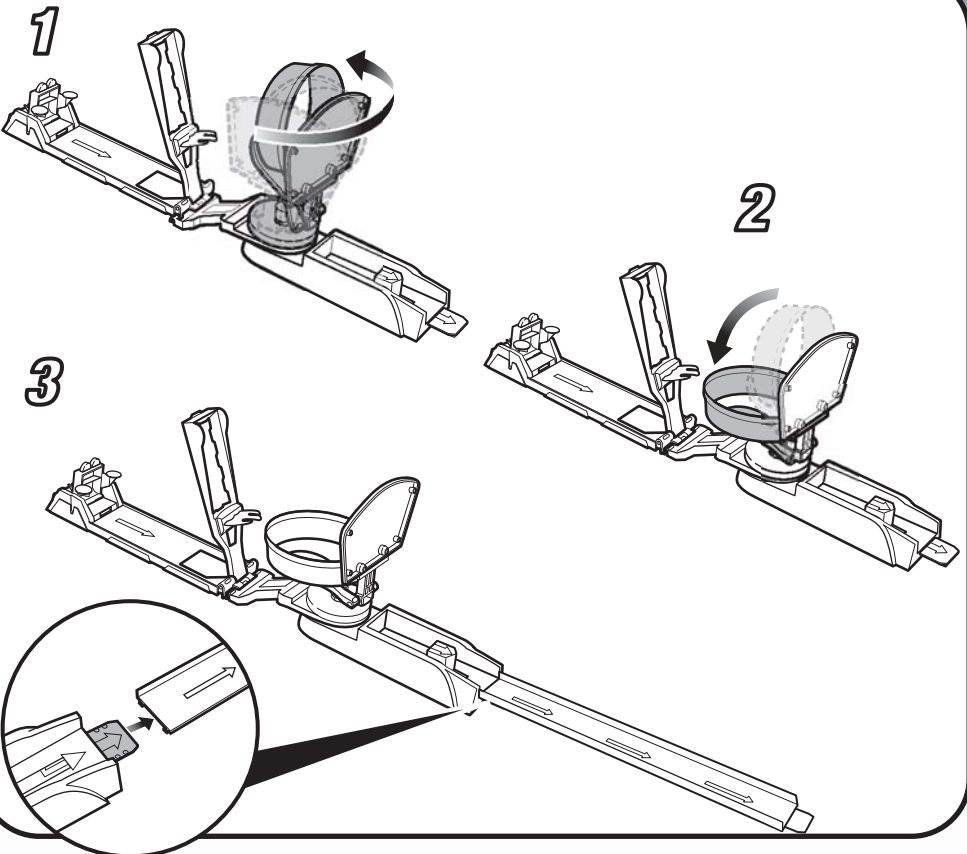
In exceptional circumstances batteries may leak fluids that can cause a chemical burn injury or ruin your product. To avoid battery leakage:

- Non-rechargeable batteries are not to be recharged.
- Rechargeable batteries are to be removed from the product before being charged (if designed to be removable).
- Rechargeable batteries are only to be charged under adult supervision (if designed to be removable).
- Do not mix alkaline, standard (carbon-zinc), or rechargeable (nickel-cadmium) batteries.
- Do not mix old and new batteries.
- Only batteries of the same or equivalent type as recommended are to be used.
- Batteries are to be inserted with the correct polarity.
- Exhausted batteries are to be removed from the product.
- The supply terminals are not to be short-circuited.
- Dispose of battery(ies) safely.
- Do not dispose of this product in a fire.
The batteries inside may explode or leak.

 Protect the environment by not disposing of this product with household waste [2002/96/EC]. Check your local authority for recycling advice and facilities.

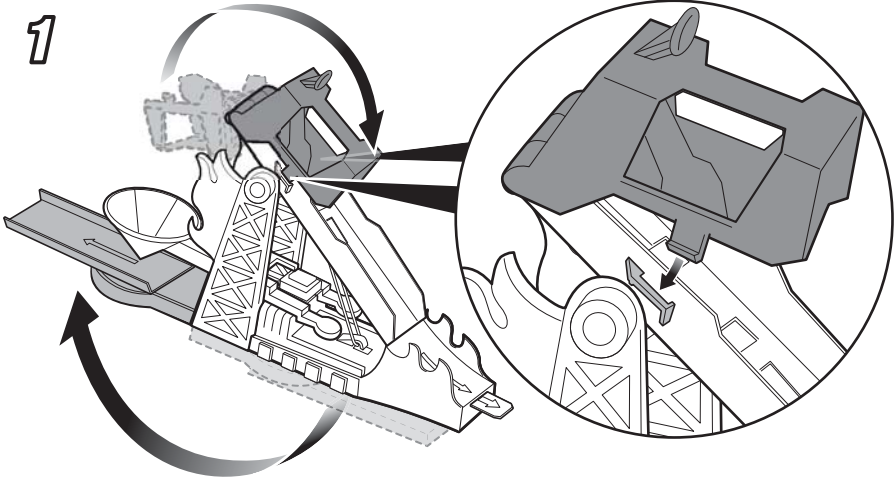


2 Assemble Hoop Shot

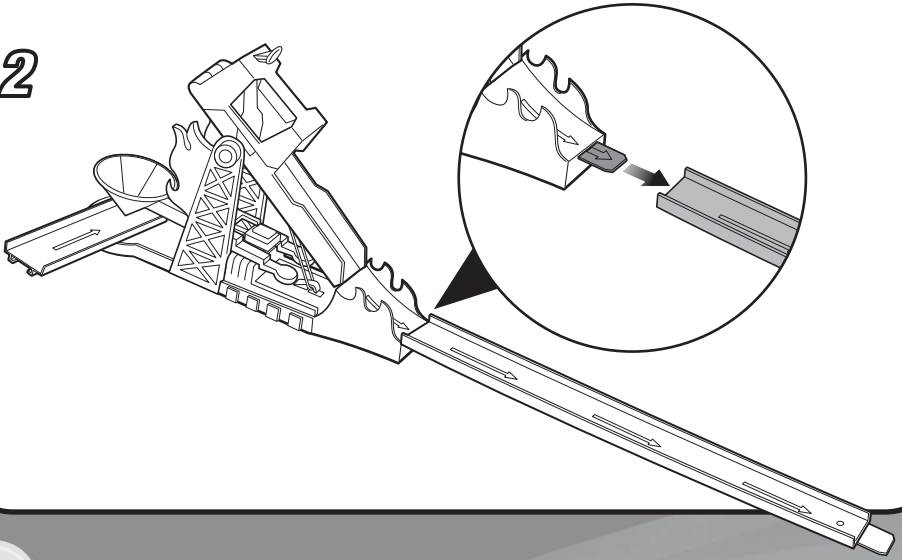


3 Assemble Mini Slide

1

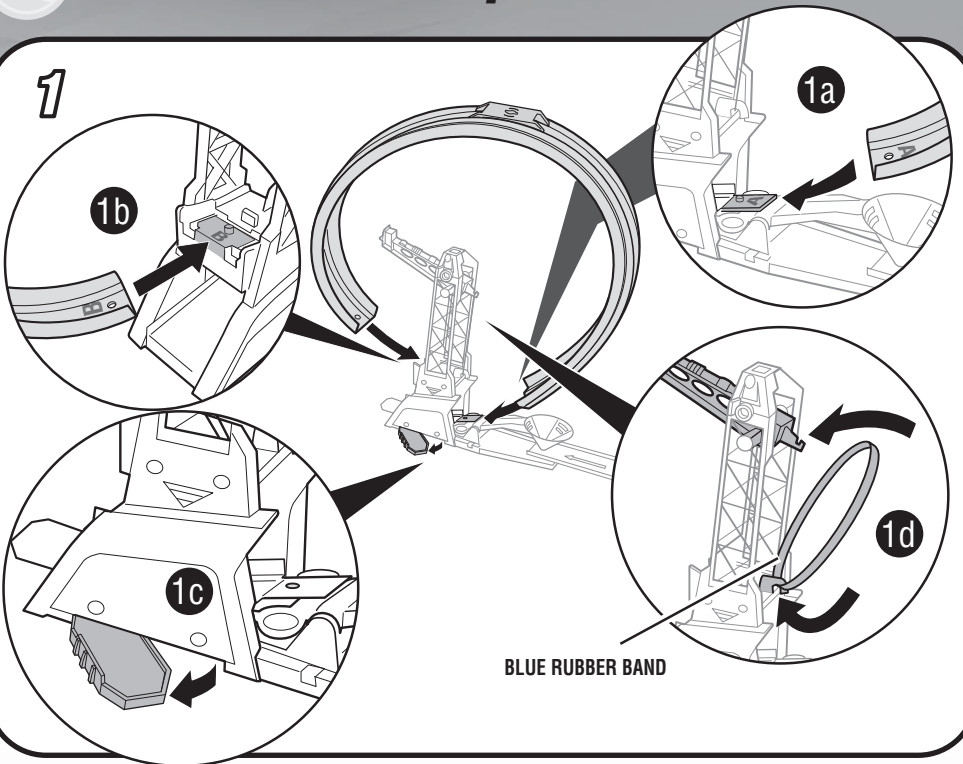


2



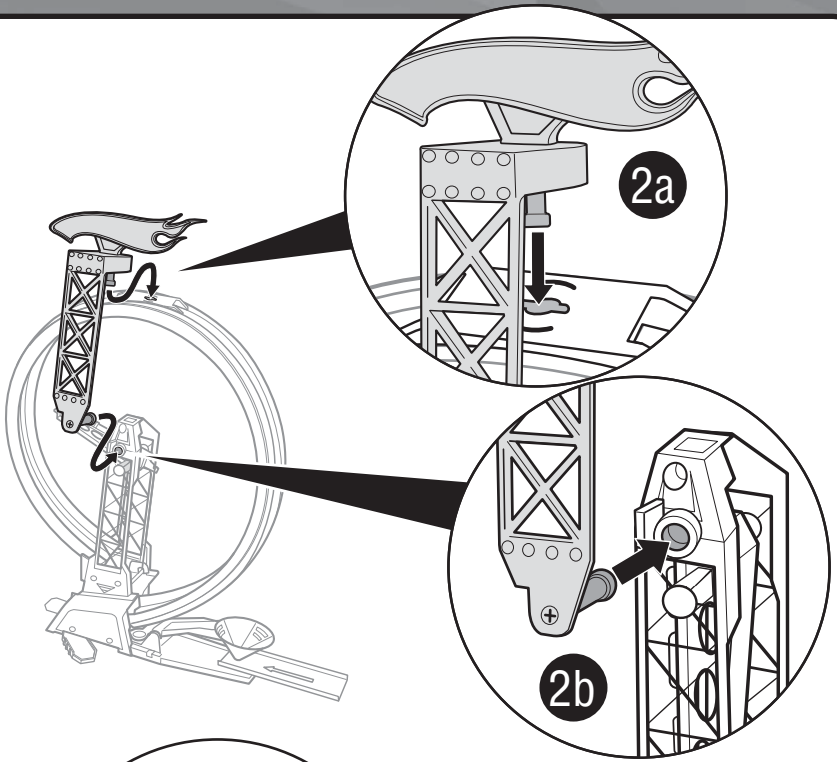
4 Assemble 360° Loop

1

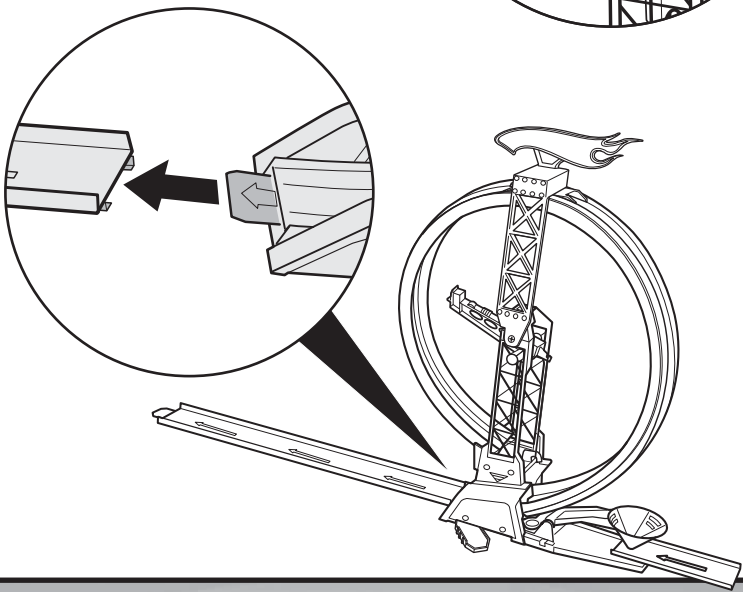


Assemble 360° Loop (Continued)

2

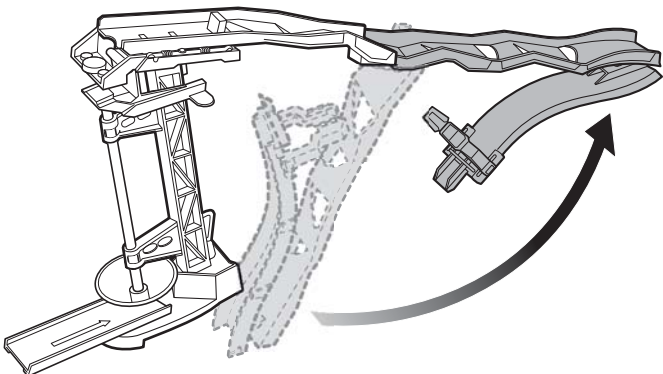


3



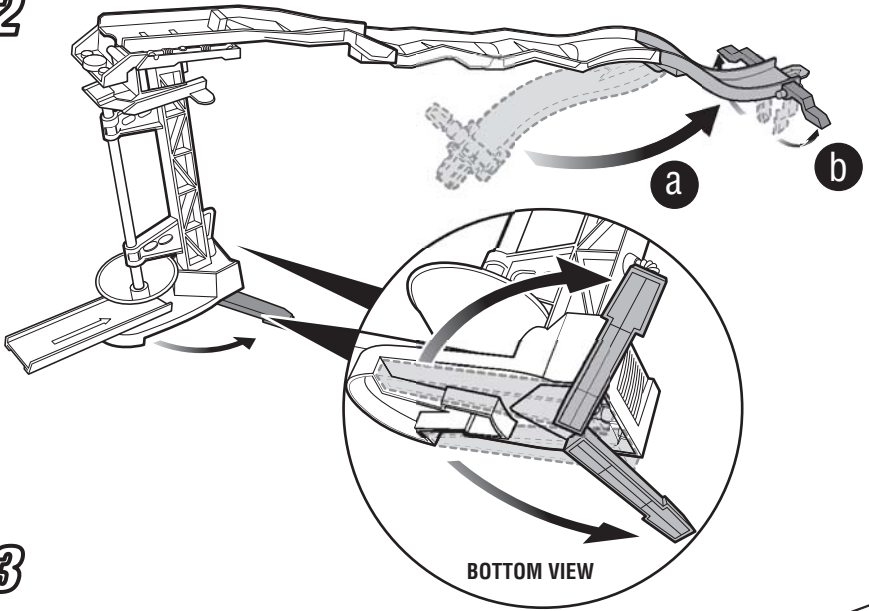
5 Assemble Zigzag Slide

1

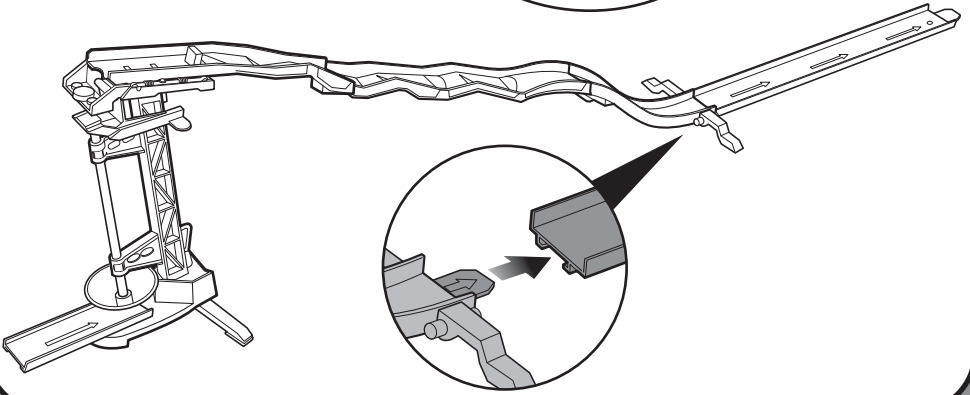


Assemble Zigzag Slide (Continued)

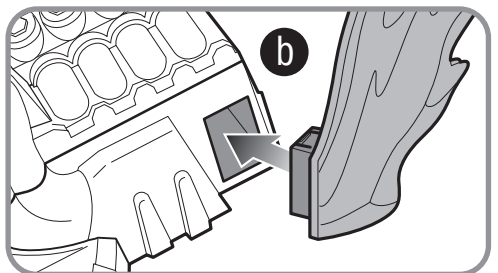
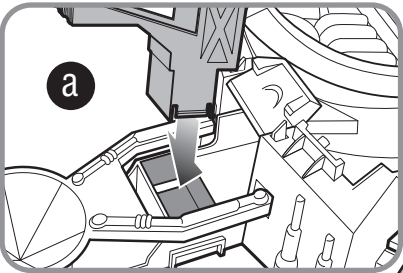
2



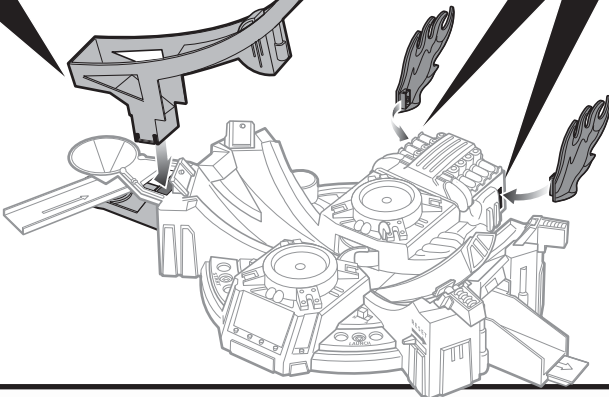
3



6 Assemble Motorized Power Loop™ Stunt

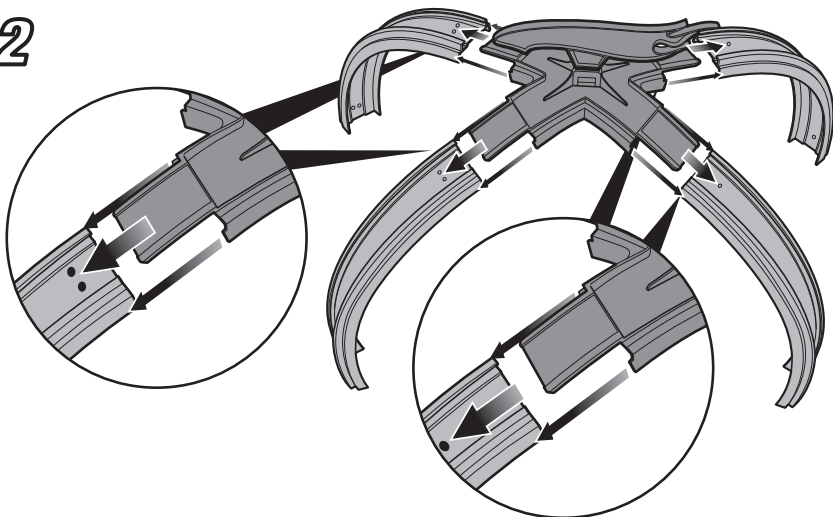


1

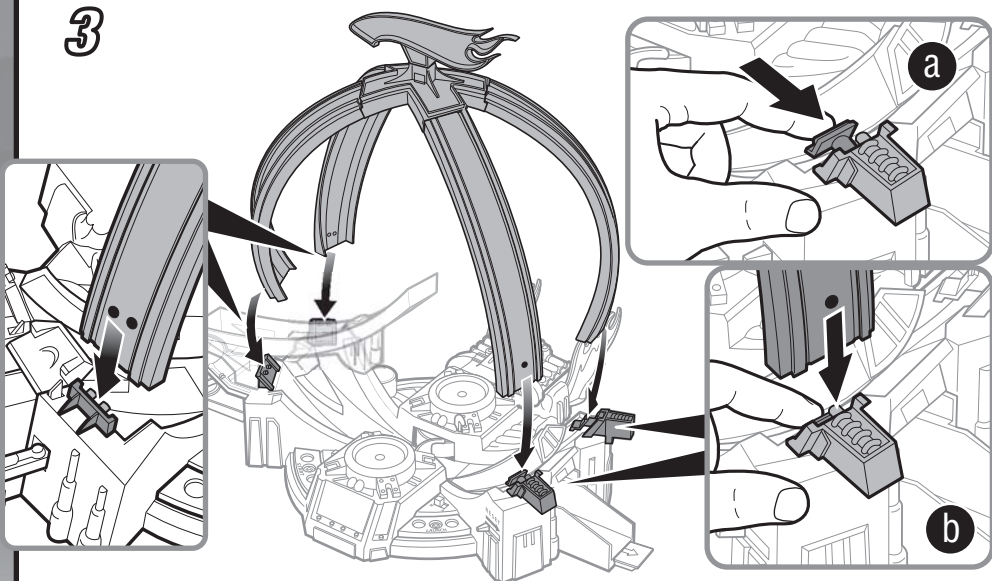


Assemble Motorized Power Loop™ Stunt (Continued)

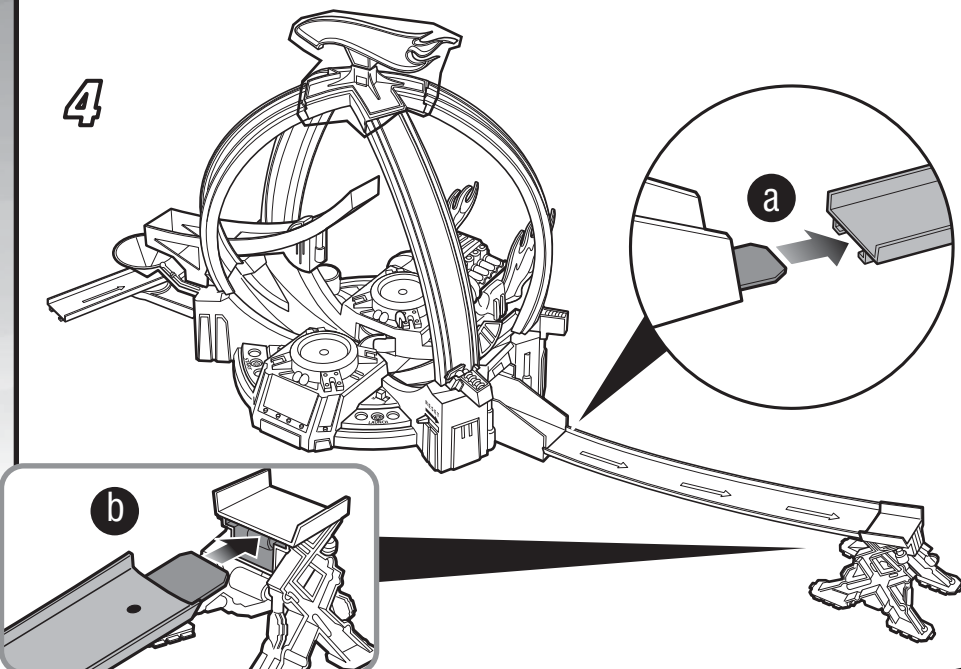
2



3



4

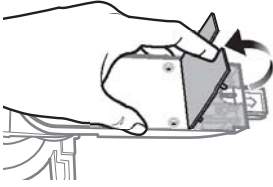




Replace Rubber Band

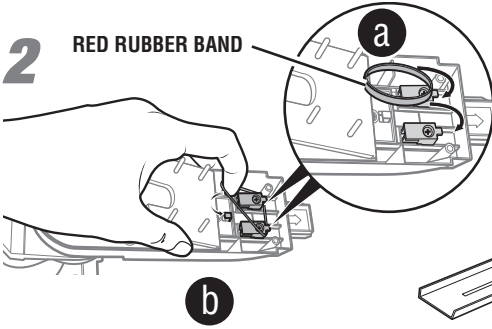
ADULT SUPERVISION REQUIRED.

1

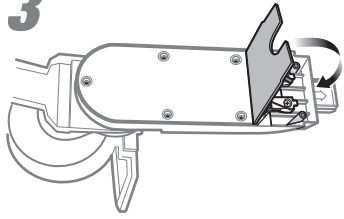


2

RED RUBBER BAND

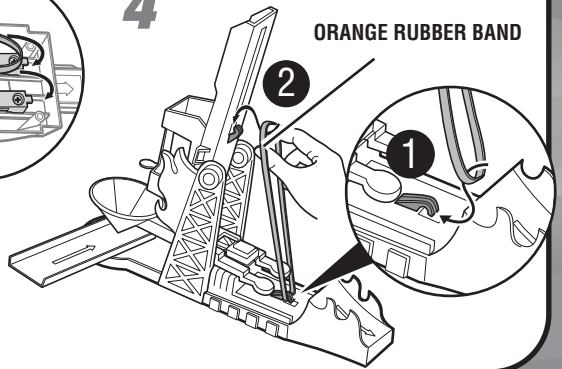


3



4

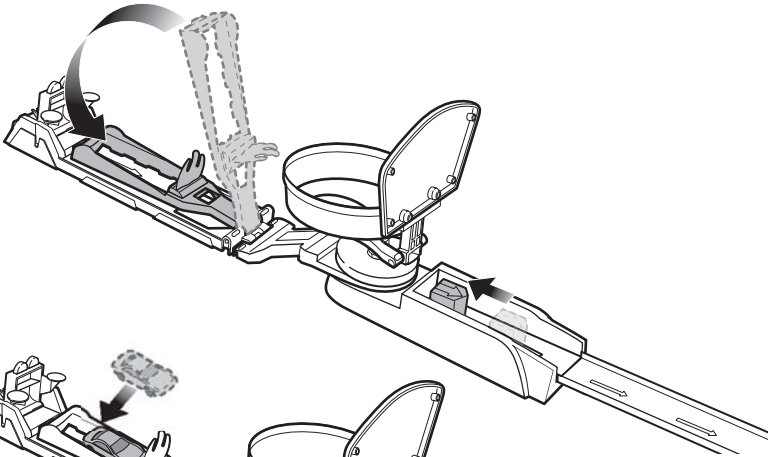
ORANGE RUBBER BAND



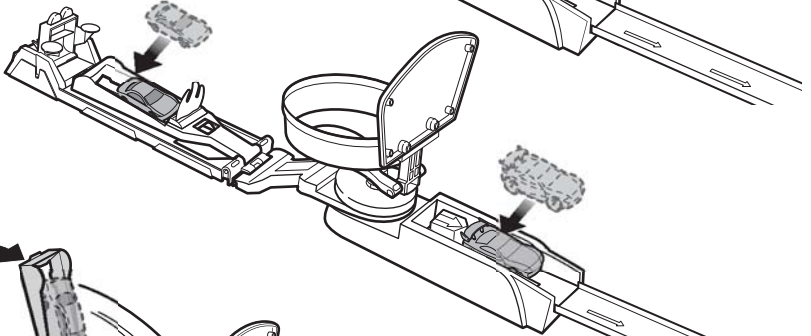
1

To Play Hoop Shot

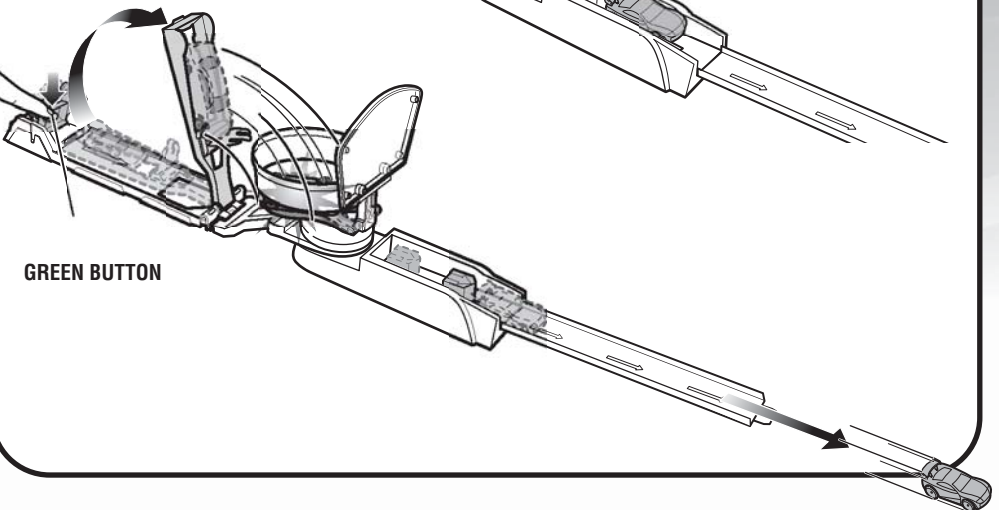
1



2

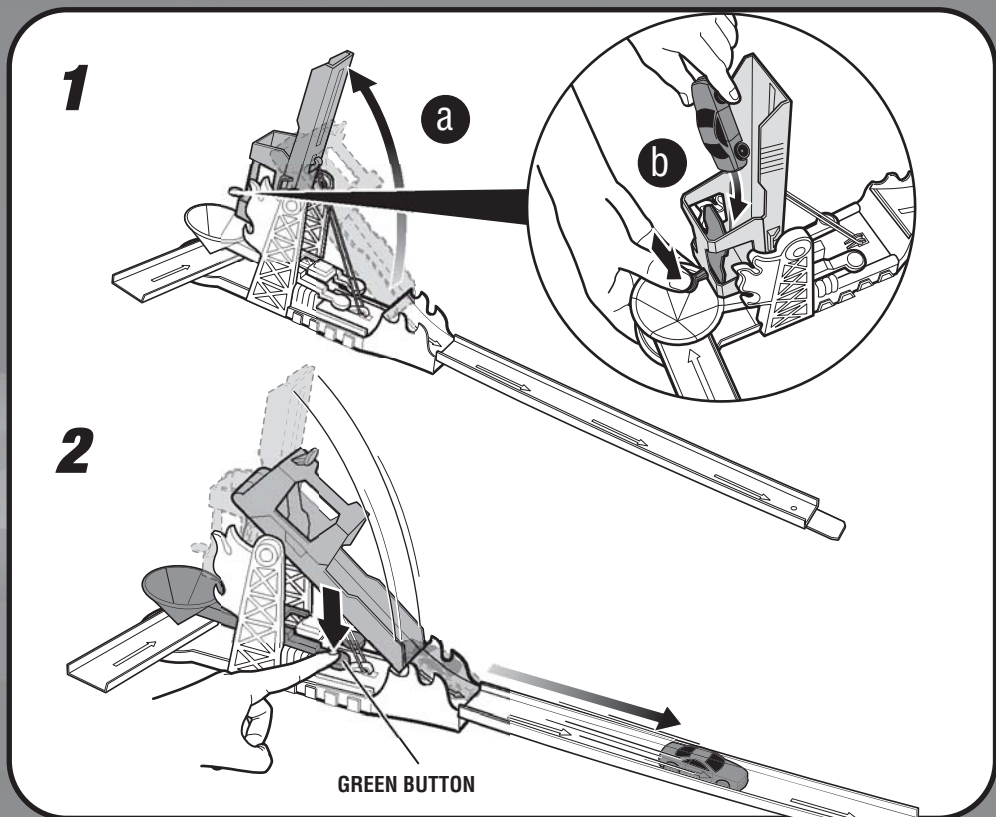


3

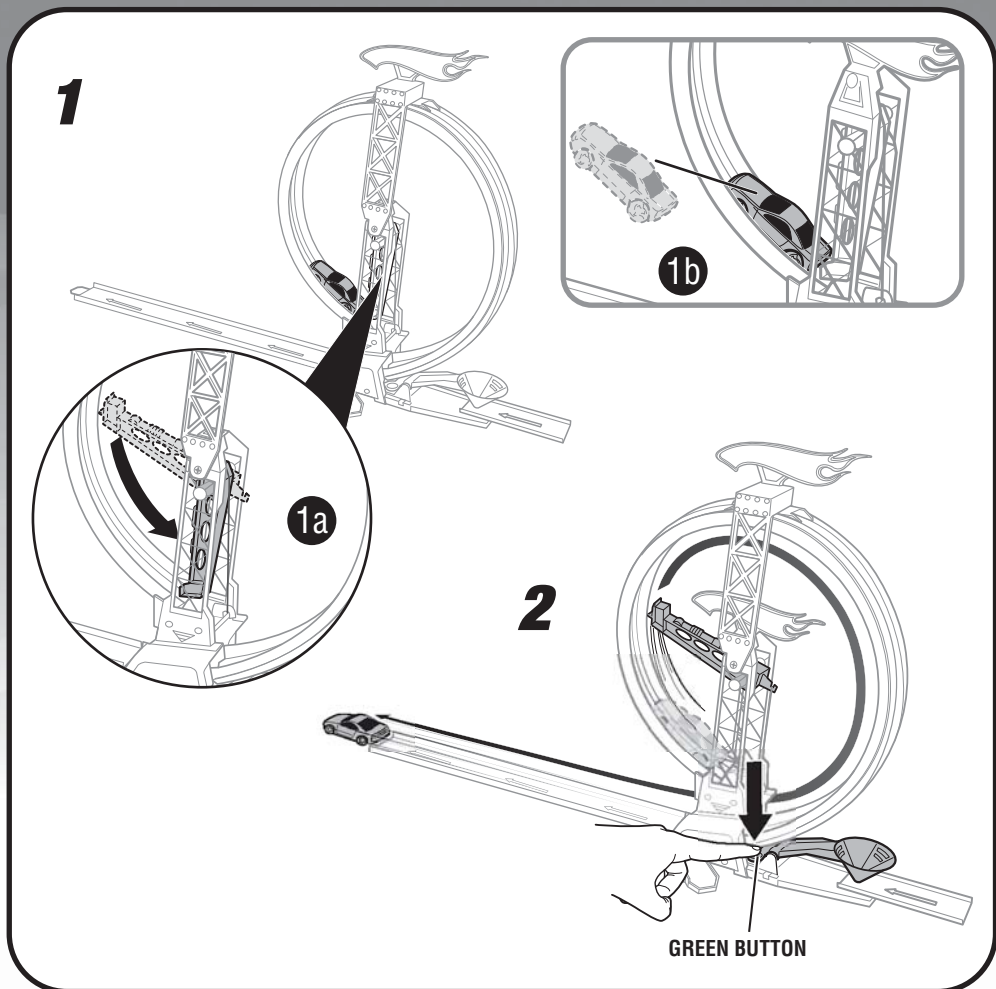


GREEN BUTTON

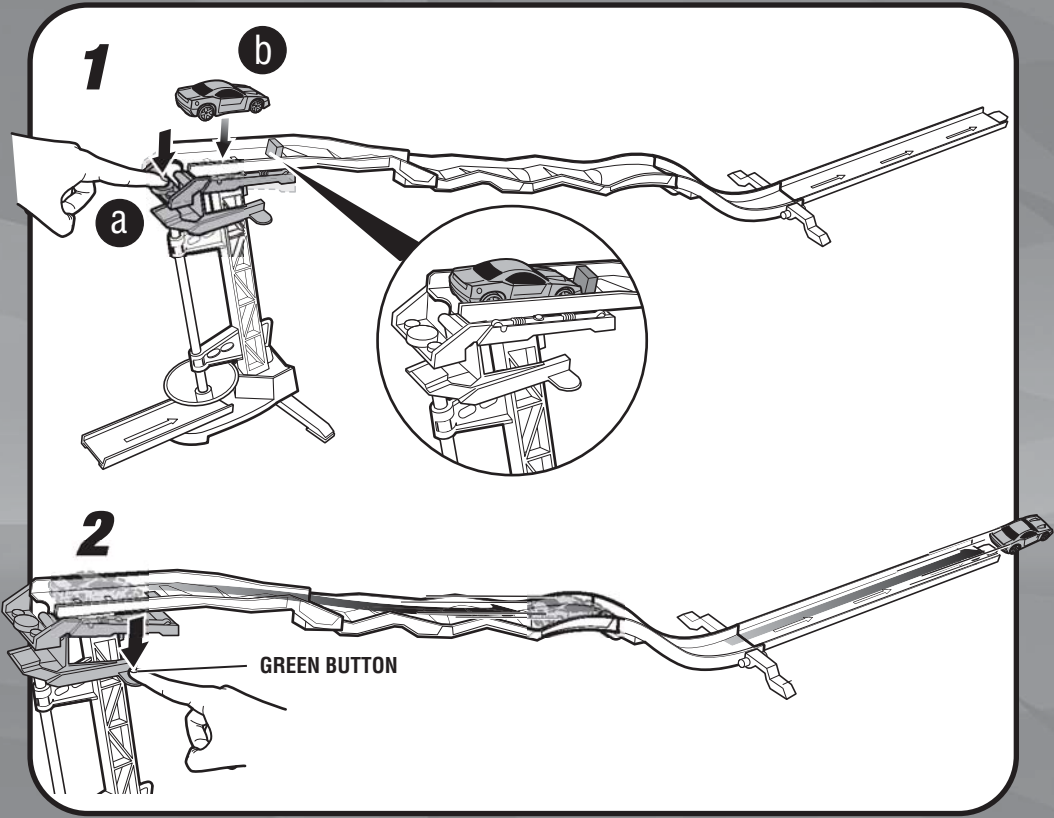
2 To Play Mini Slide



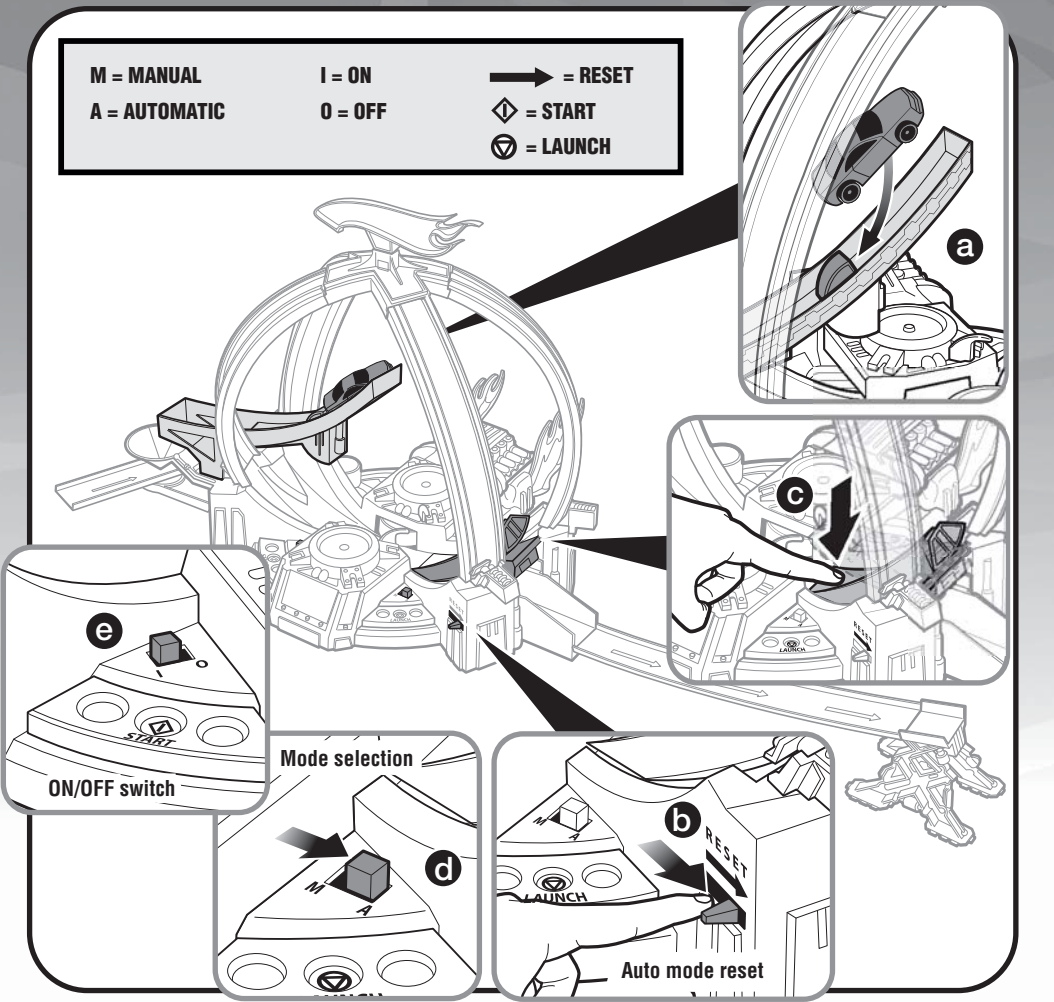
3 To Play 360° Loop



4 To Play Zigzag Slide



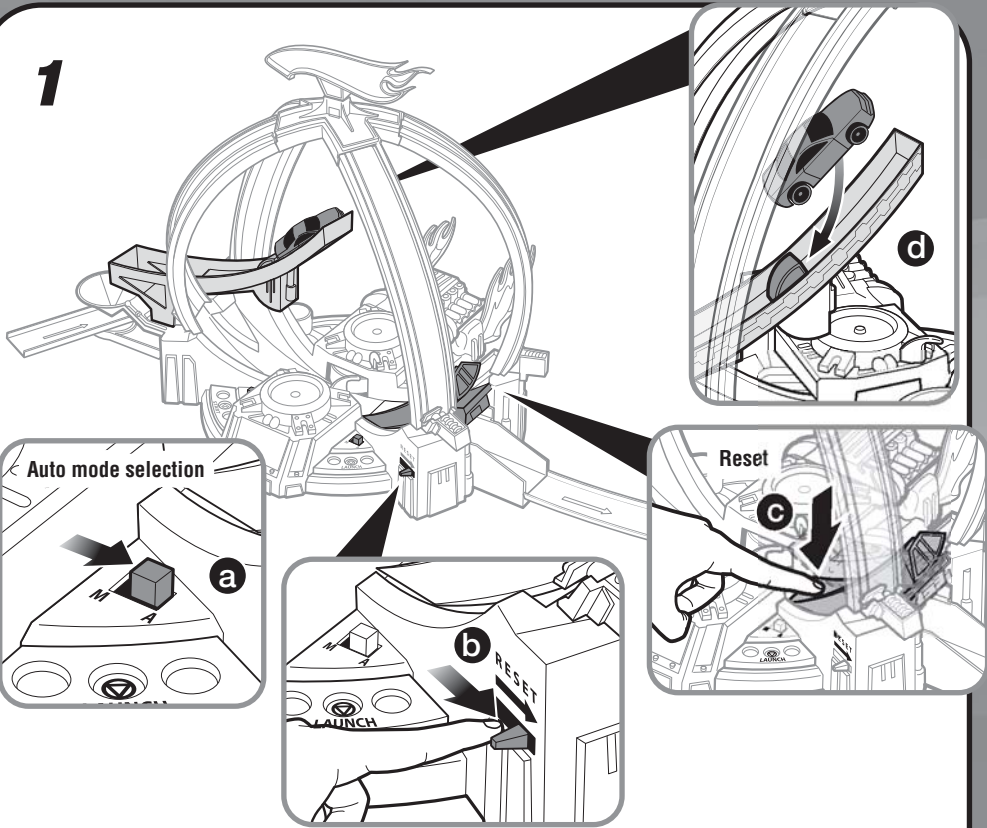
5 To Play Motorized Power Loop™ Stunt



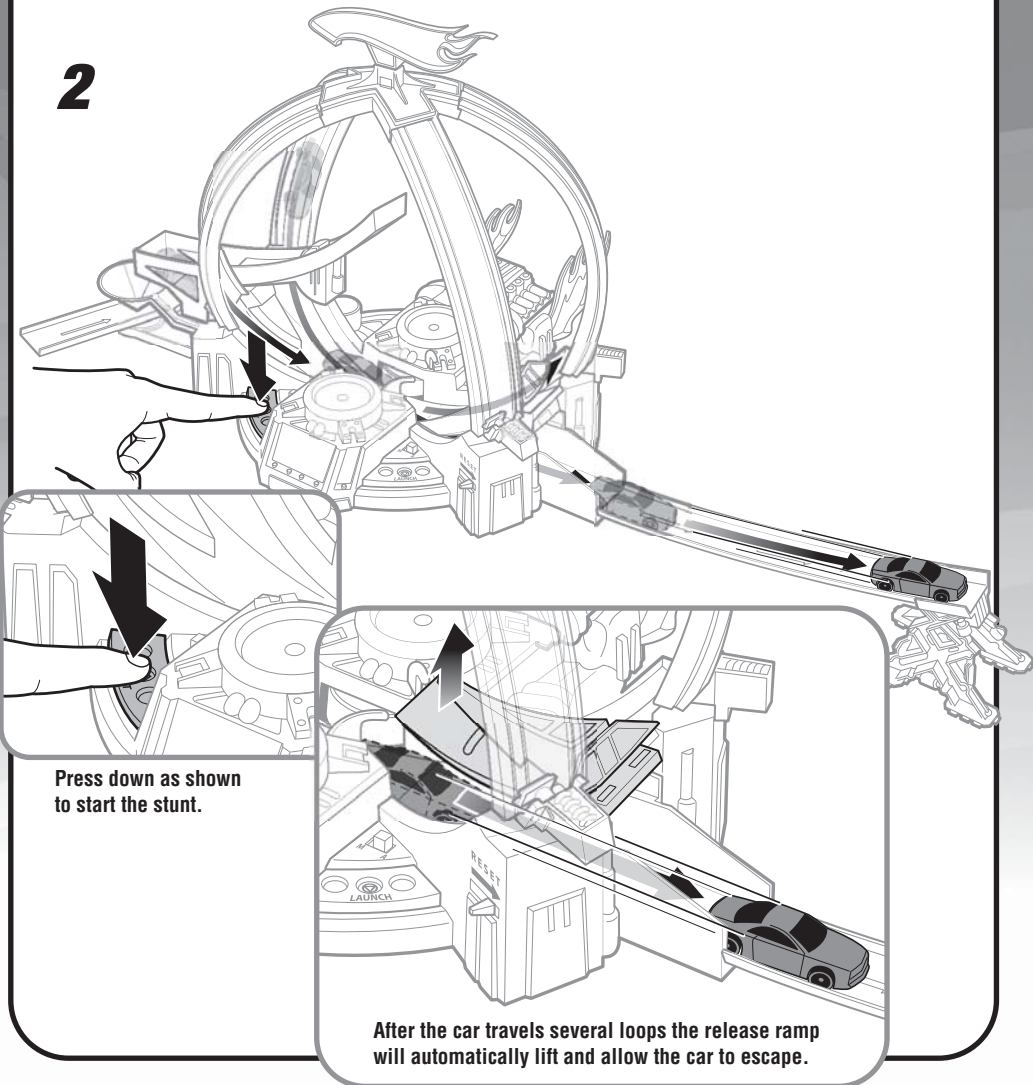
6

Auto Mode

1



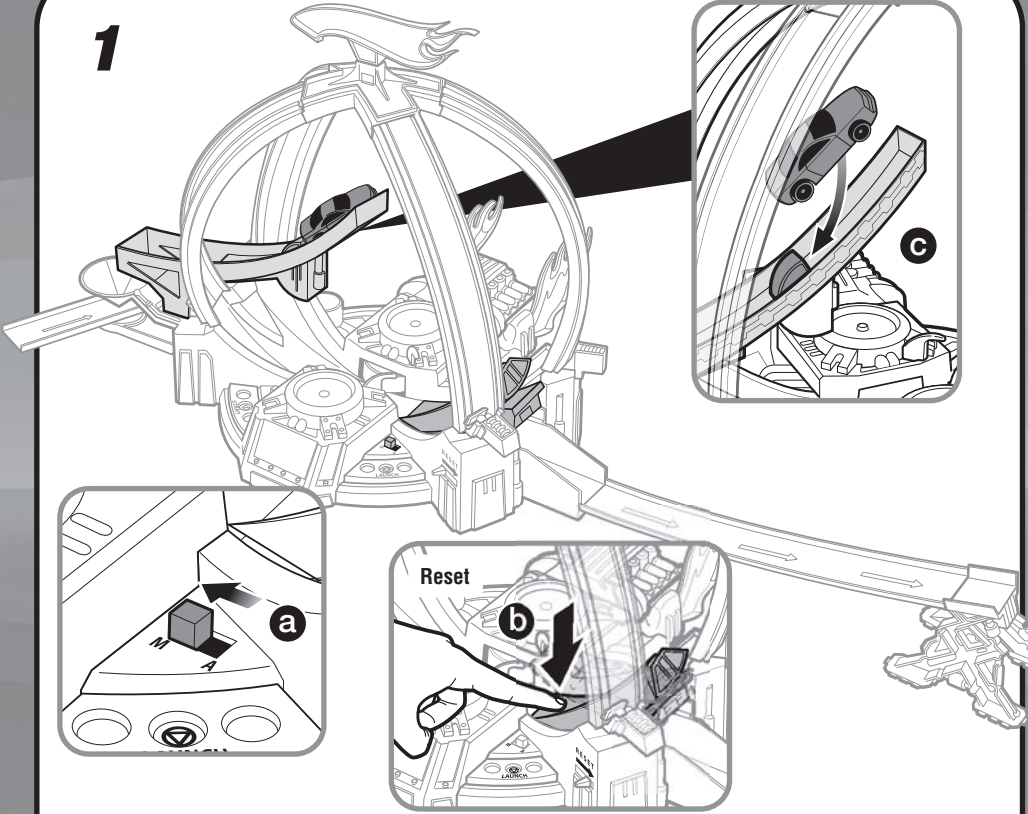
2



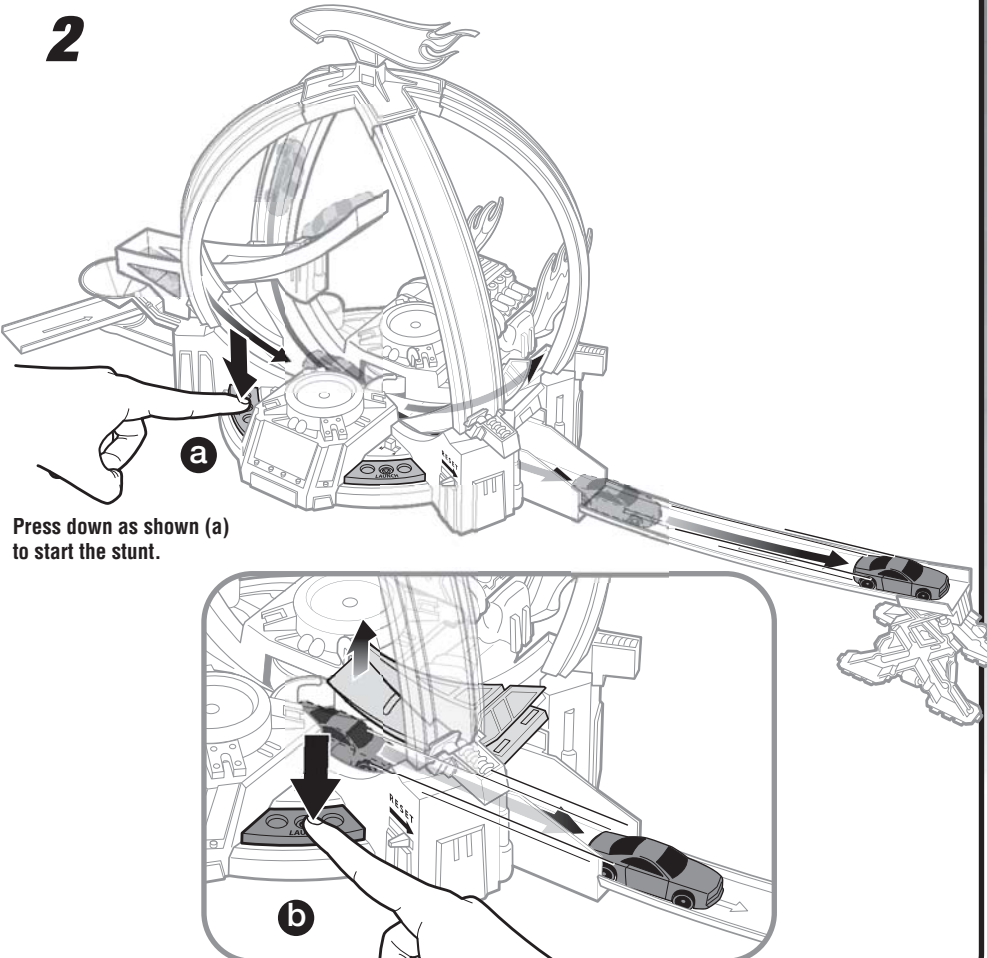
7

Manual Mode

1



2



Press down as shown (a) to start the stunt.

Press the launch button (b) to allow the car to escape.



More Ways To Play

The recommended height is 12 to 18 inches (30cm-45cm).

