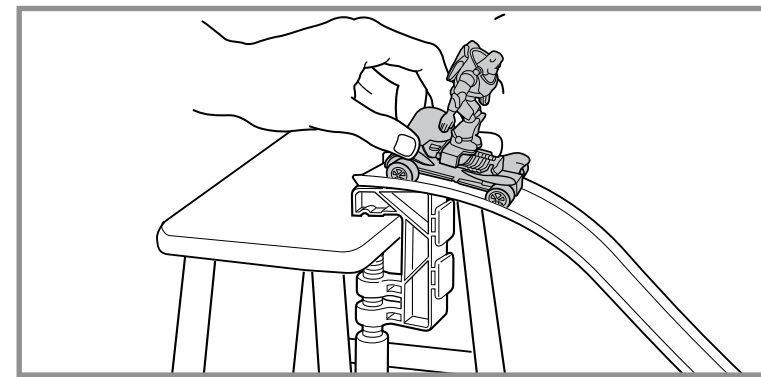
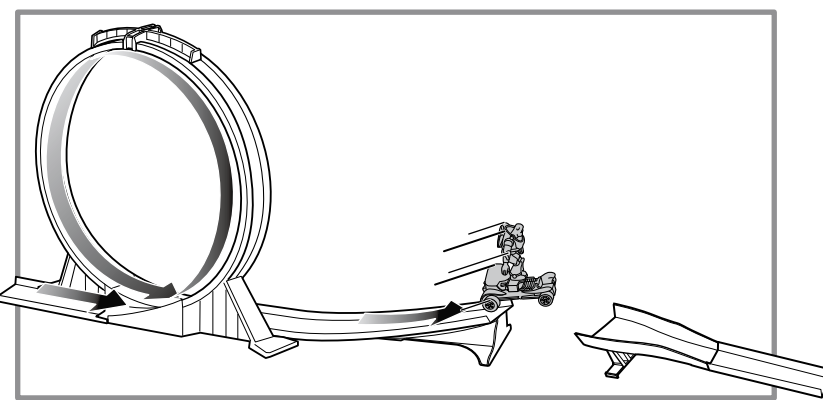


## TO PLAY

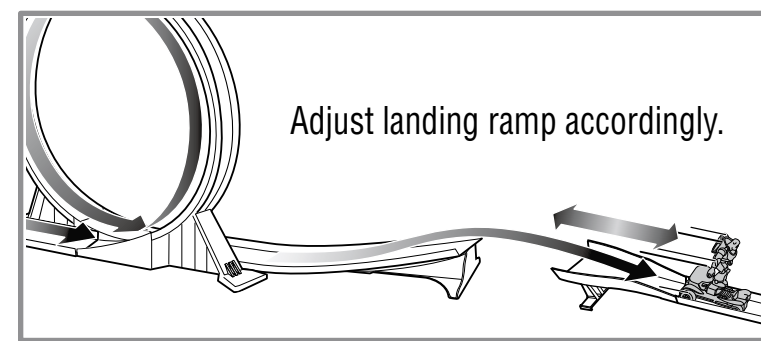
1. Place vehicle at top of ramp and release.



2. Race through the loop and to the jump!



3. Land and race away!



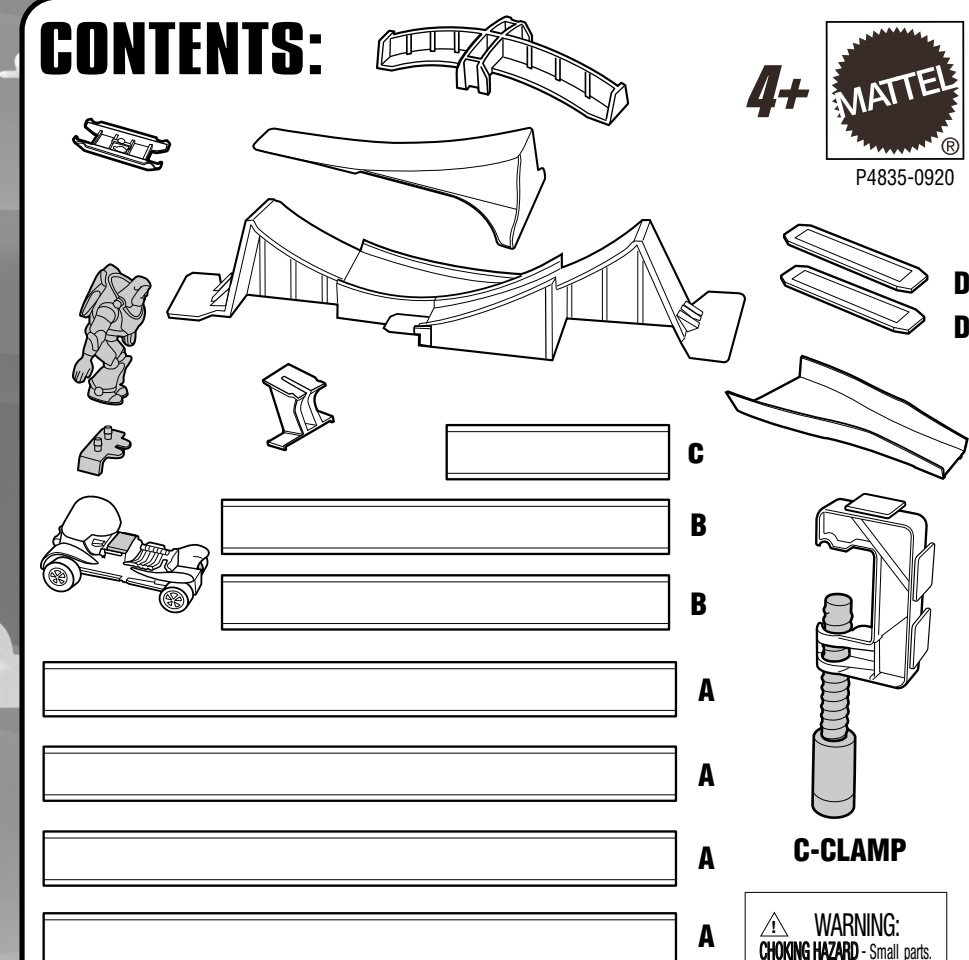
Adjust landing ramp accordingly.



## INSTRUCTIONS

Please keep these instructions for future reference as they contain important information.

### CONTENTS:



4+



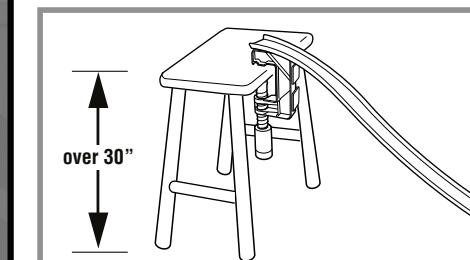
C-CLAMP

WARNING: CHOKING HAZARD - Small parts. Not for children under 3 years.

© 2009 Mattel, Inc. All Rights Reserved.

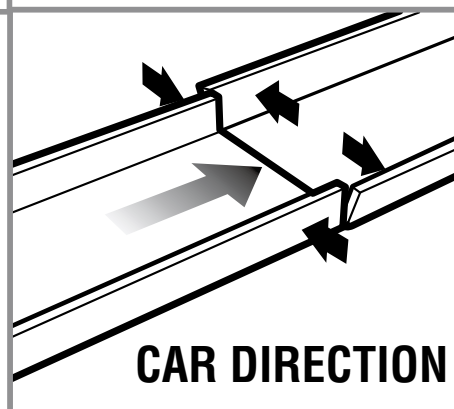
Consumer Relations - Mattel, Inc., 636 Girard Avenue, East Aurora, NY 14052, U.S.A. - 1-800-524-8697, service.mattel.com.  
 • Mattel Canada Inc., Mississauga, Ontario L5R 3W2. You may call us free at 1-800-524-8697. • Mattel U.K. Ltd., Vanwall Business Park, Maidenhead SL6 4UB, Helpline 01628500303 • Mattel Australia Pty., Ltd., Richmond, Victoria, 3121, Consumer Advisory Service - 1300 135 312. • Mattel East Asia Ltd., Room 1106, South Tower, World Finance Centre, Harbour City, Tsimshatsui, HK, China. • Diimport & Diedarkan Oleh: Mattel SEA Ptd Ltd.(993532-P) Lot 13.5, 13th Floor, Menara Lien Hoe, Persiaran Tropicana Golf Country Resort, 47410 P.J. Tel:03-78803817, Fax:03-78803867.  
 © Disney/Pixar

## OPERATING TIPS



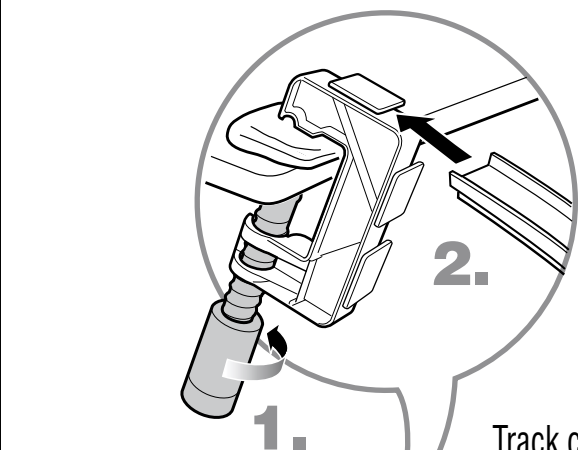
To regulate speed of car, change the height of the track. Higher clamp positions should produce higher speeds.

To ensure car travels smoothly through track sections, adjust tabs as shown. This prevents car from hitting track edges.



CAR DIRECTION

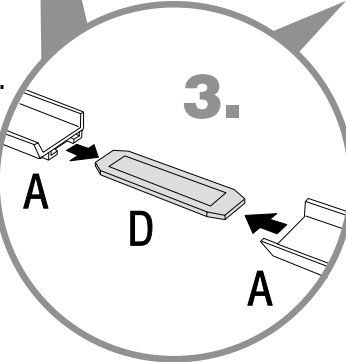
## ASSEMBLY



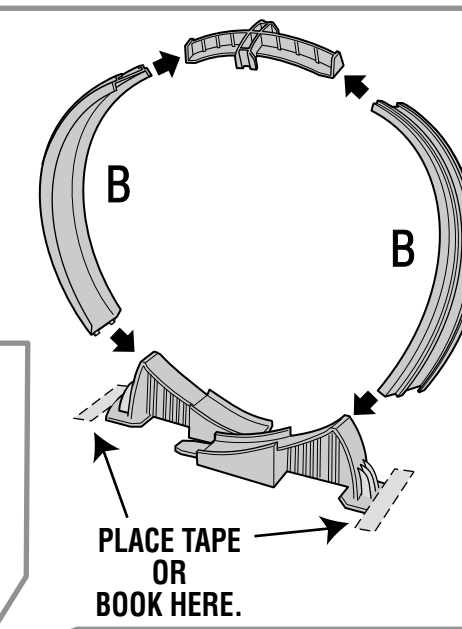
Track connection of C-clamp swivels and slides for different angles.

over 30"

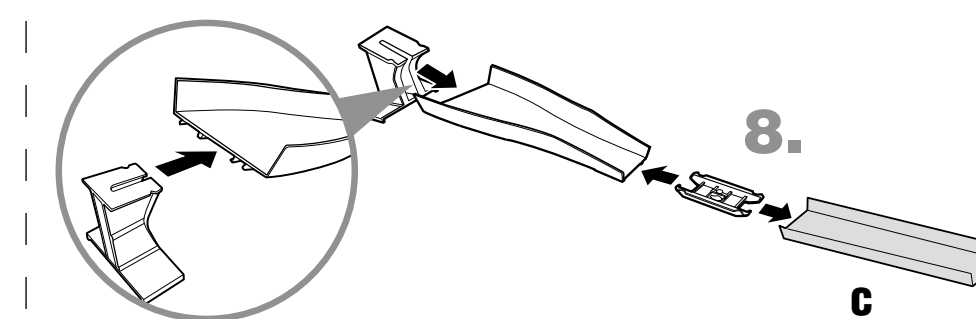
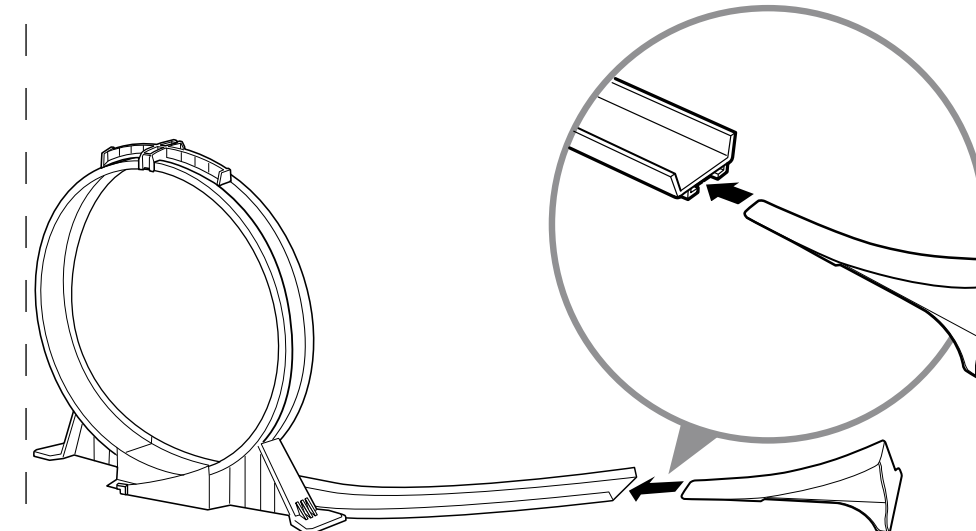
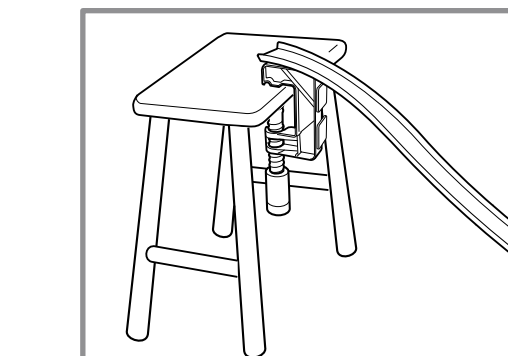
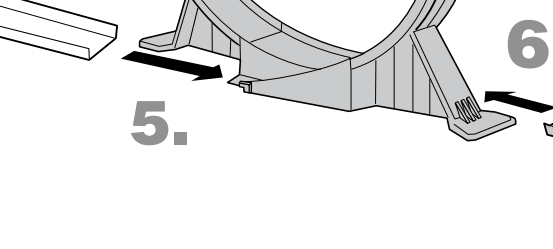
For best performance, track should be elevated 30 inches or higher.



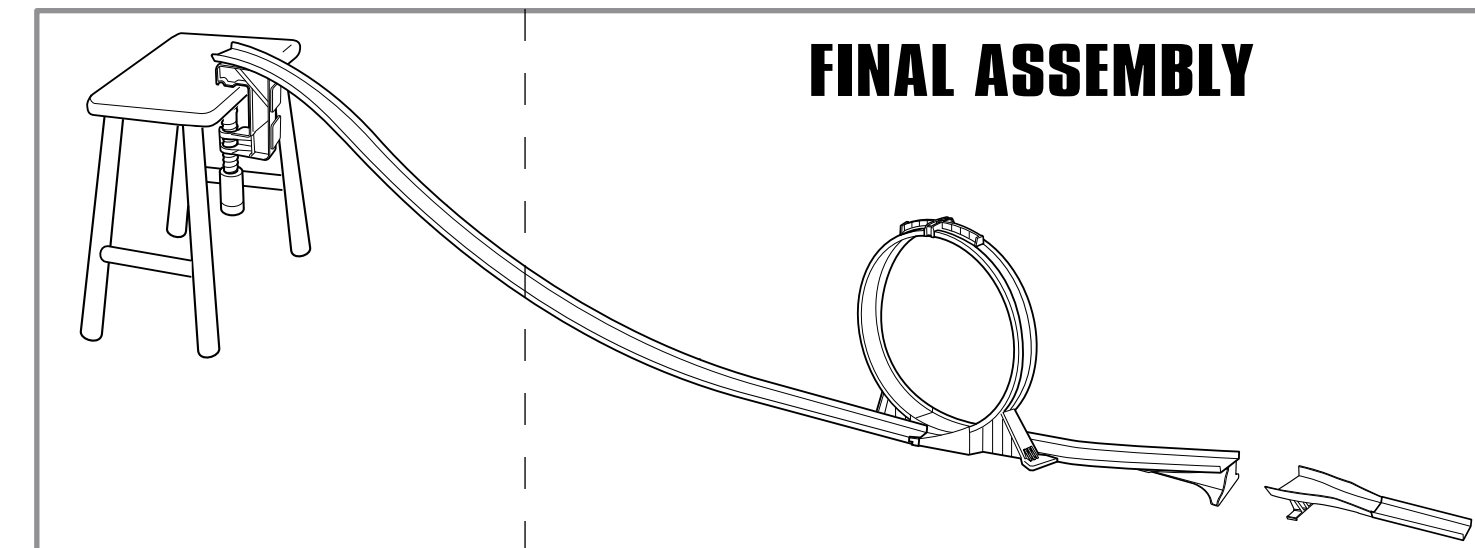
4. Assemble loop as shown. TO STABILIZE SET: On carpet, use books. On smooth floor, tape base to surface.



PLACE TAPE OR BOOK HERE.



## FINAL ASSEMBLY



Handy tip: To protect sensitive furniture surfaces, use a cloth or towel between the C-clamp and the surface to be clamped.

INSTRUCTION SHEET SPECIFICATIONS	
Toy No.:	P4835
Part No.:	0920
Trim Size:	16.5" W x 8.5" H
Folded Size:	5.5" W x 8.5" H
Type of Fold:	accordion
# colors:	One
Color:	Black
Paper Stock:	White Offset
Paper Weight:	70 lb.
EDM No.:	001