

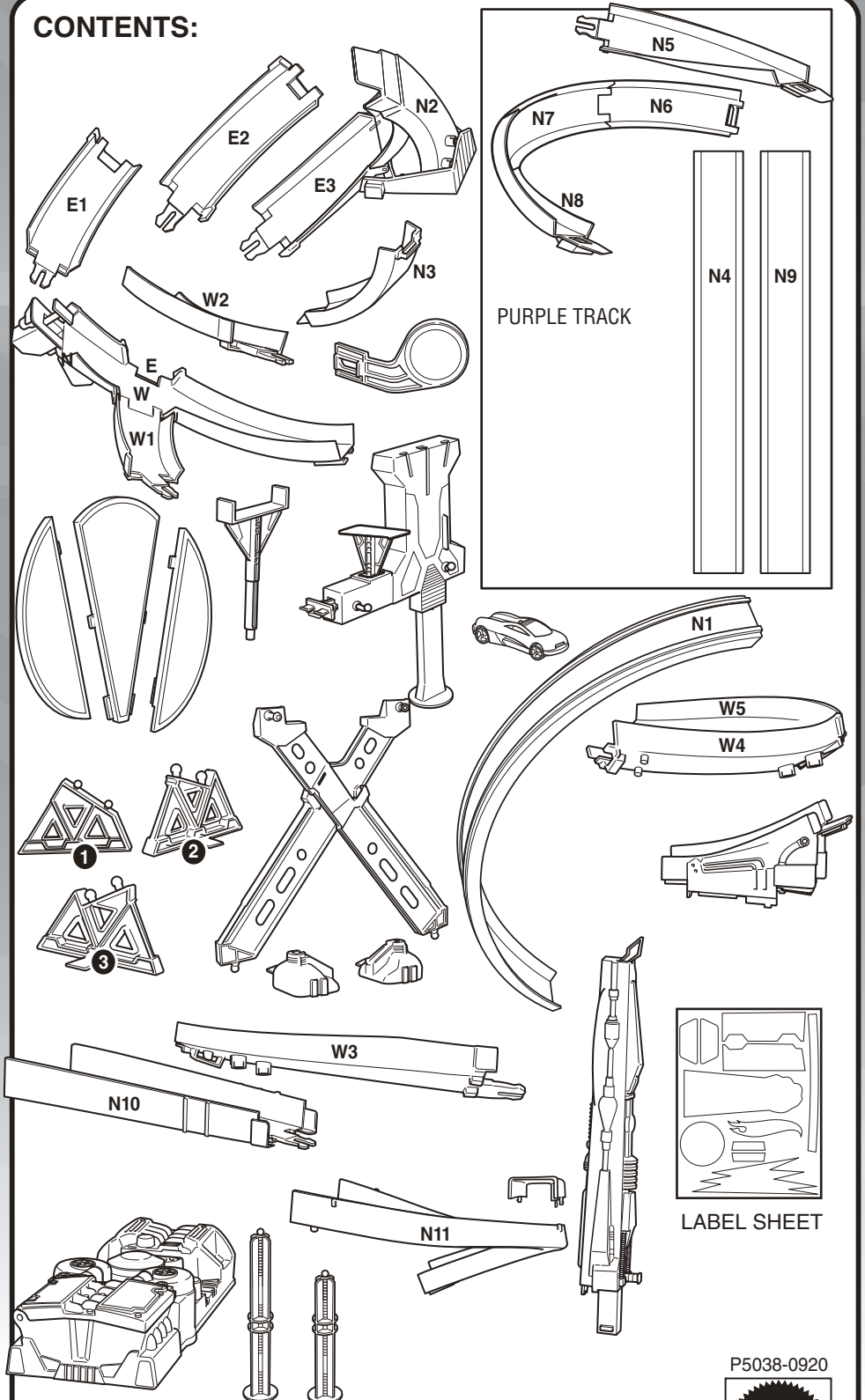


INSTRUCTIONS

ZERO-G™

Keep these instructions for future reference as they contain important information.

CONTENTS:



Requires 2 "D" alkaline batteries (not included).
Adult assembly required.



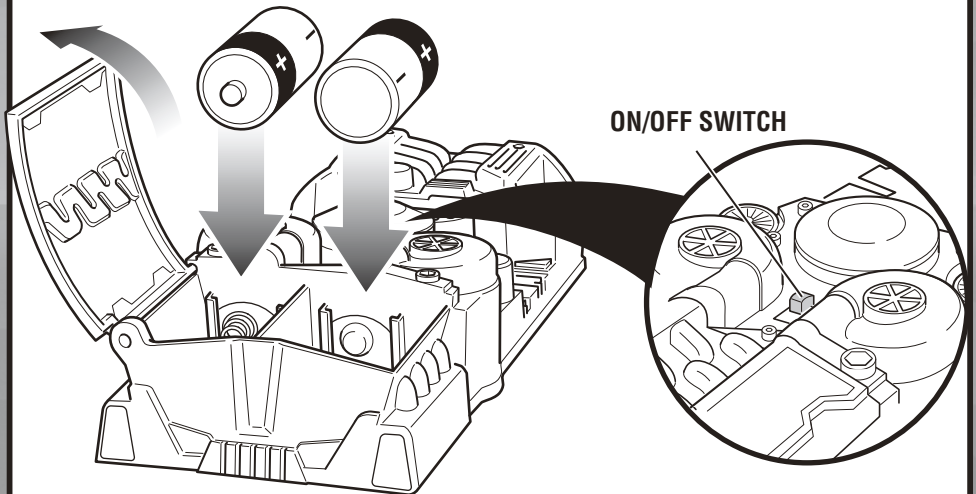
5+

P5038-0920



INSTALL BATTERIES

Open battery cover and insert 2 "D" size alkaline batteries (not included) as shown. For best performance, use alkaline batteries. Replace the batteries when the booster no longer propels the car through the set.



BATTERY SAFETY INFORMATION

In exceptional circumstances batteries may leak fluids that can cause a chemical burn injury or ruin your product. To avoid battery leakage:

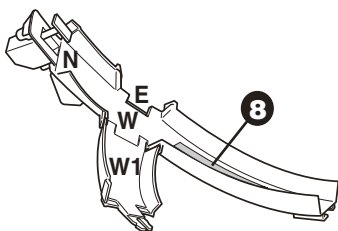
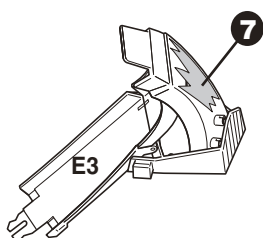
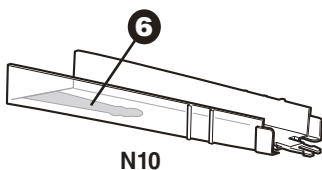
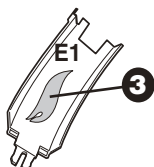
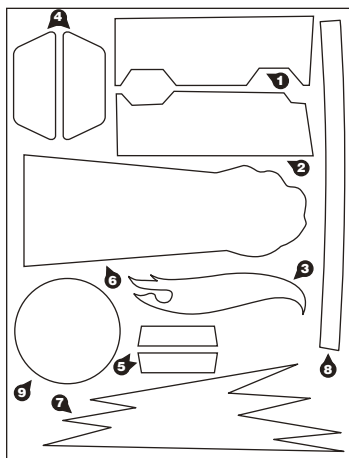
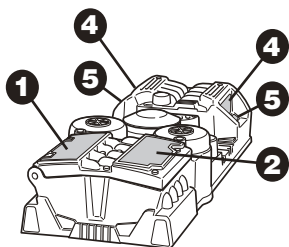
- Non-rechargeable batteries are not to be recharged.
- Rechargeable batteries are to be removed from the product before being charged (if designed to be removable).
- Rechargeable batteries are only to be charged under adult supervision (if designed to be removable).
- Do not mix alkaline, standard (carbon-zinc), or rechargeable (nickel-cadmium) batteries.
- Do not mix old and new batteries.
- Only batteries of the same or equivalent type as recommended are to be used.
- Batteries are to be inserted with the correct polarity.
- Exhausted batteries are to be removed from the product.
- The supply terminals are not to be short-circuited.
- Dispose of battery(ies) safely.
- Do not dispose of this product in a fire. The batteries inside may explode or leak.



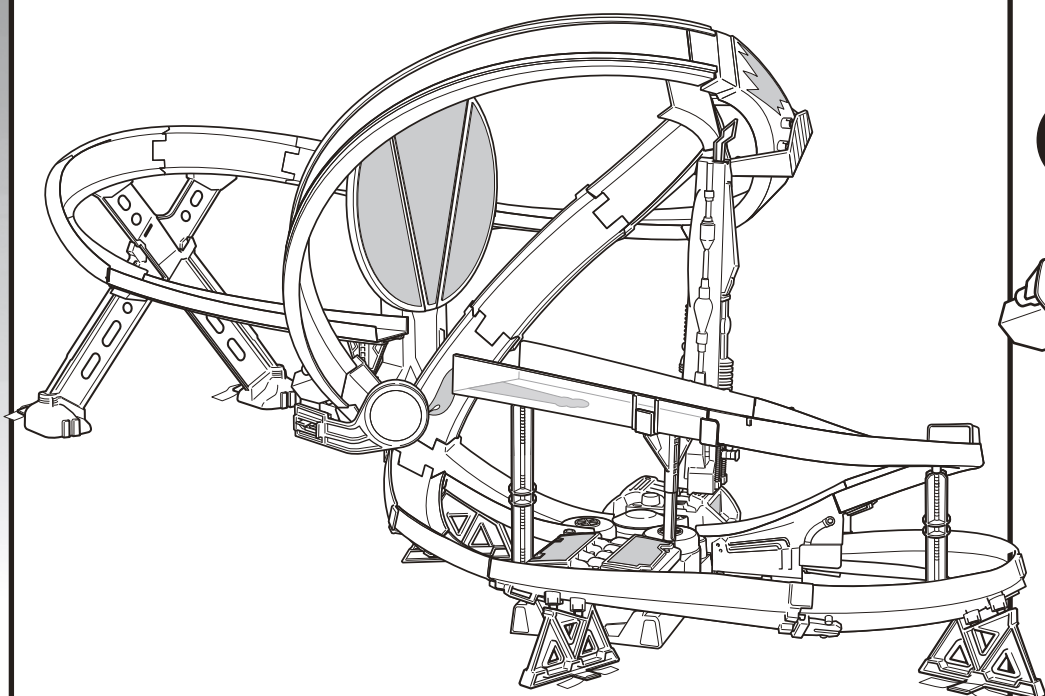
Protect the environment by not disposing of this product with household waste [2002/96/EC]. Check your local authority for recycling advice and facilities.

APPLY LABELS

Apply labels by number as shown.



FINAL ASSEMBLY



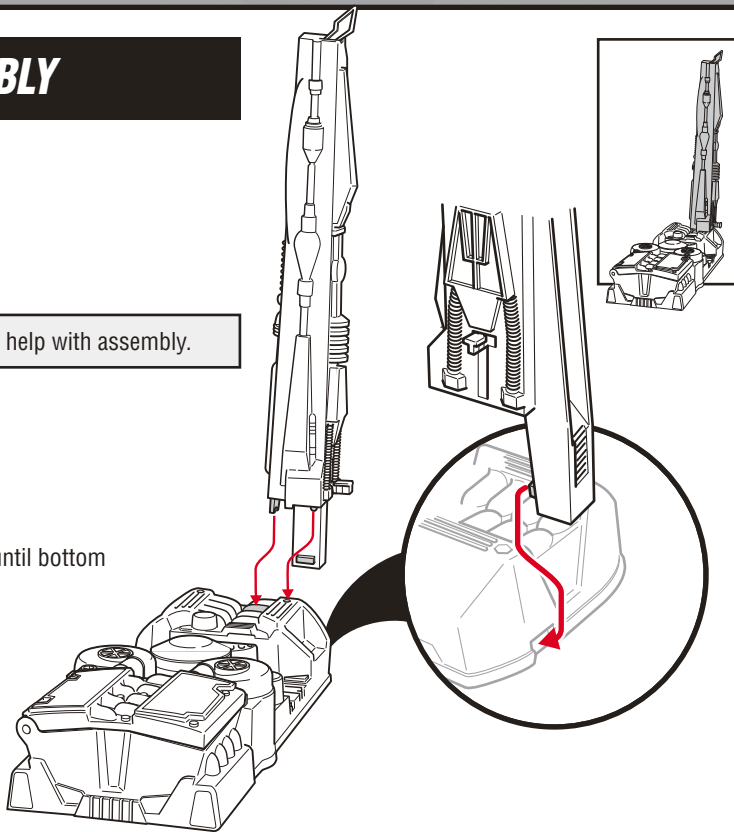
NOT FOR USE WITH SOME HOT WHEELS® VEHICLES.

1

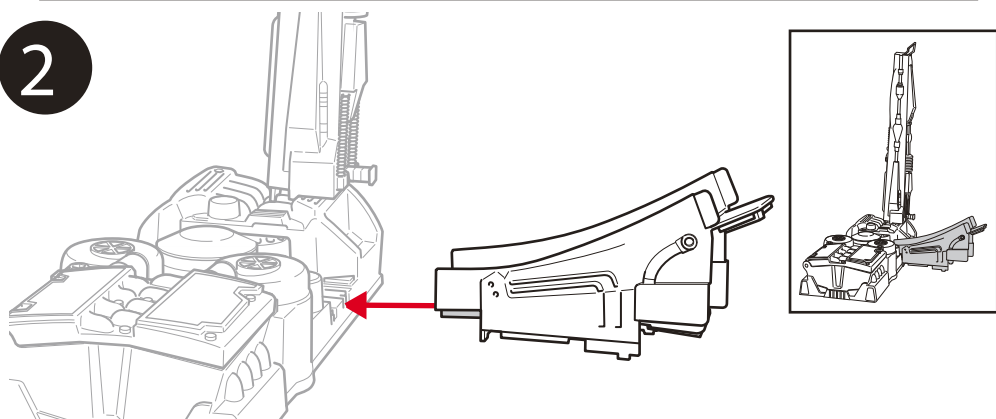
ASSEMBLY

Look for letters on parts to help with assembly.

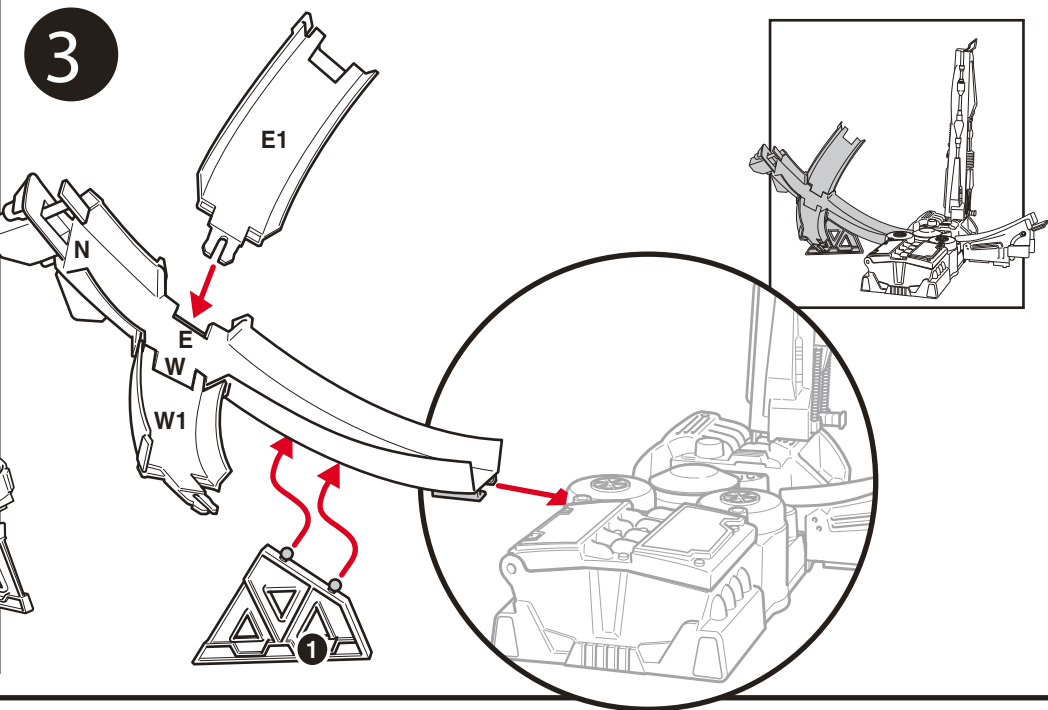
Push support onto booster until bottom of support snaps into place.



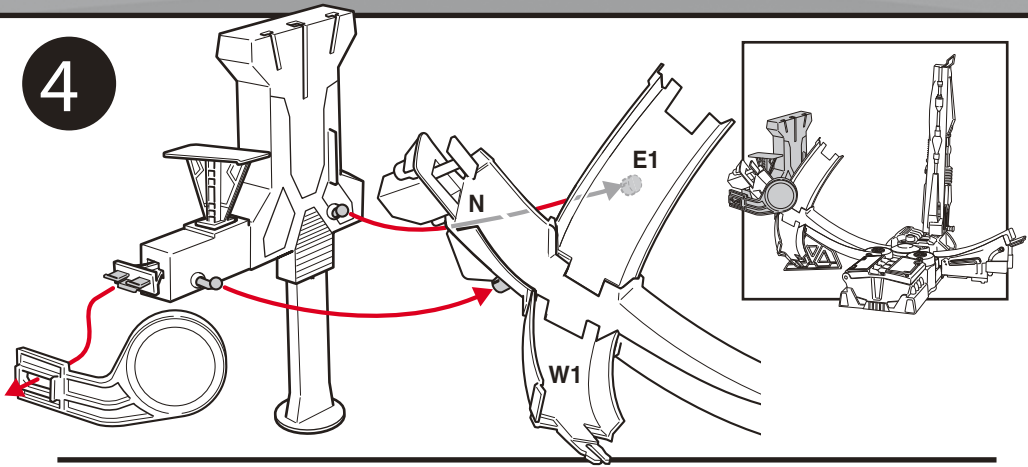
2



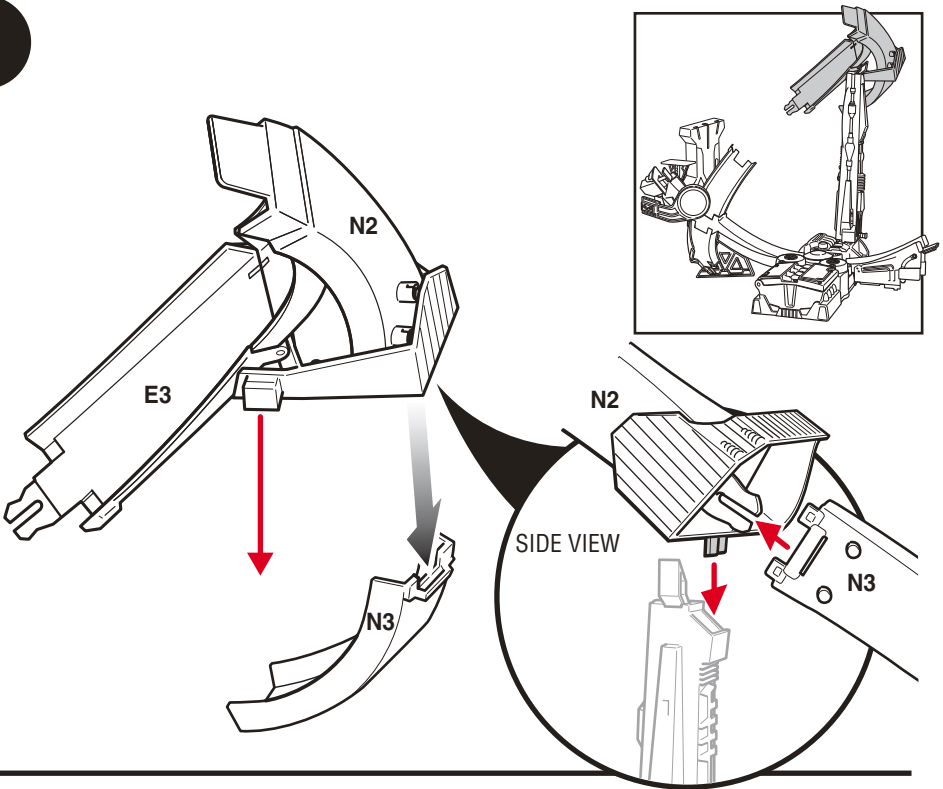
3



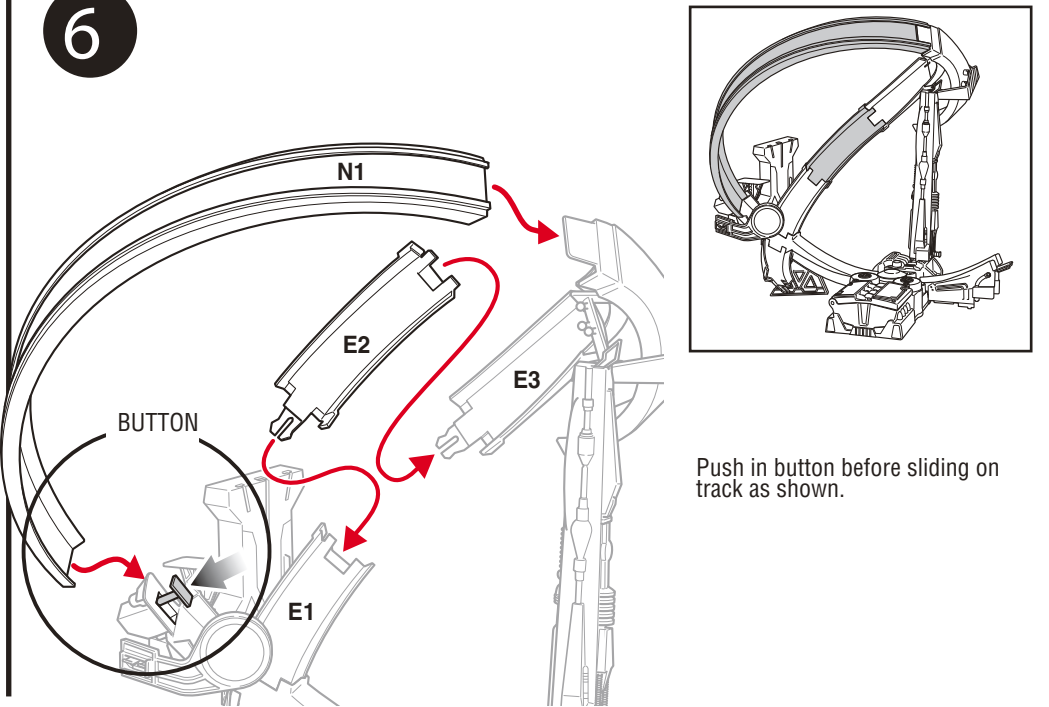
4



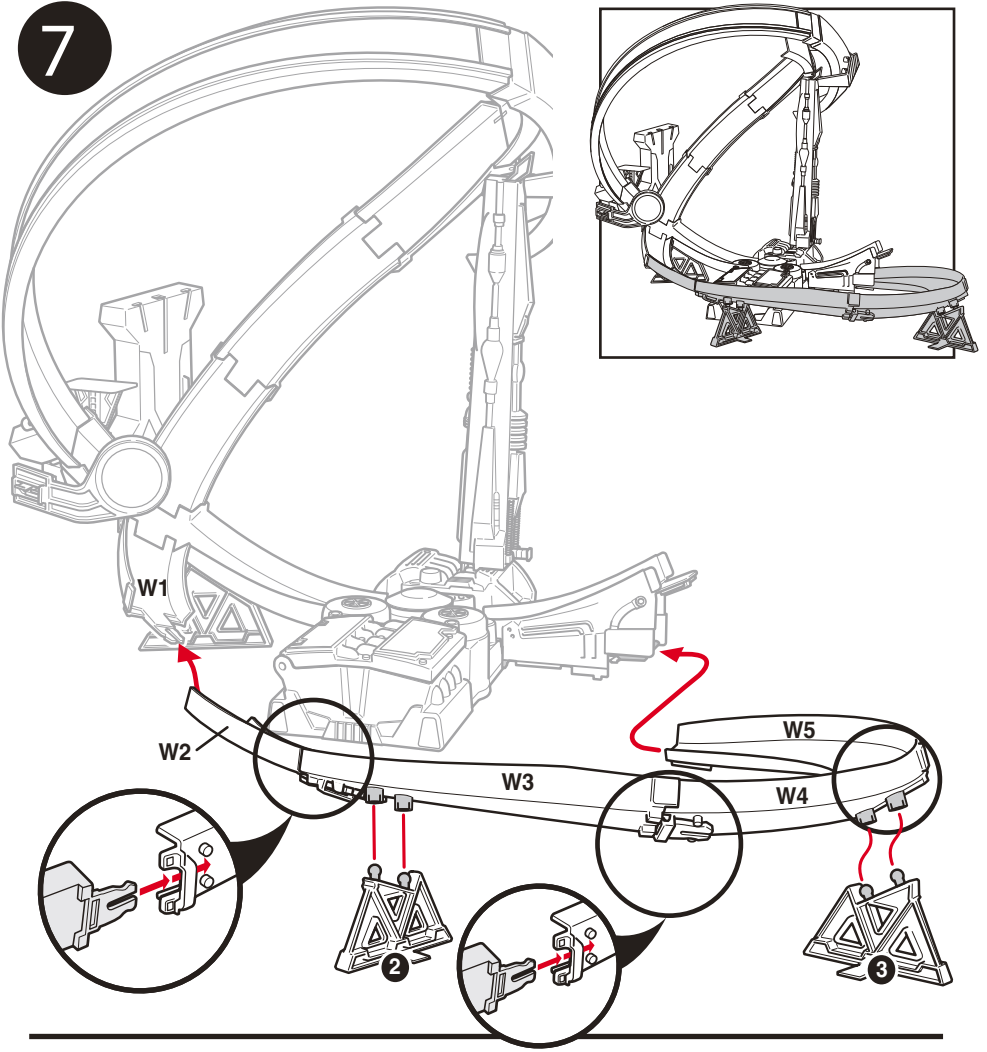
5



6

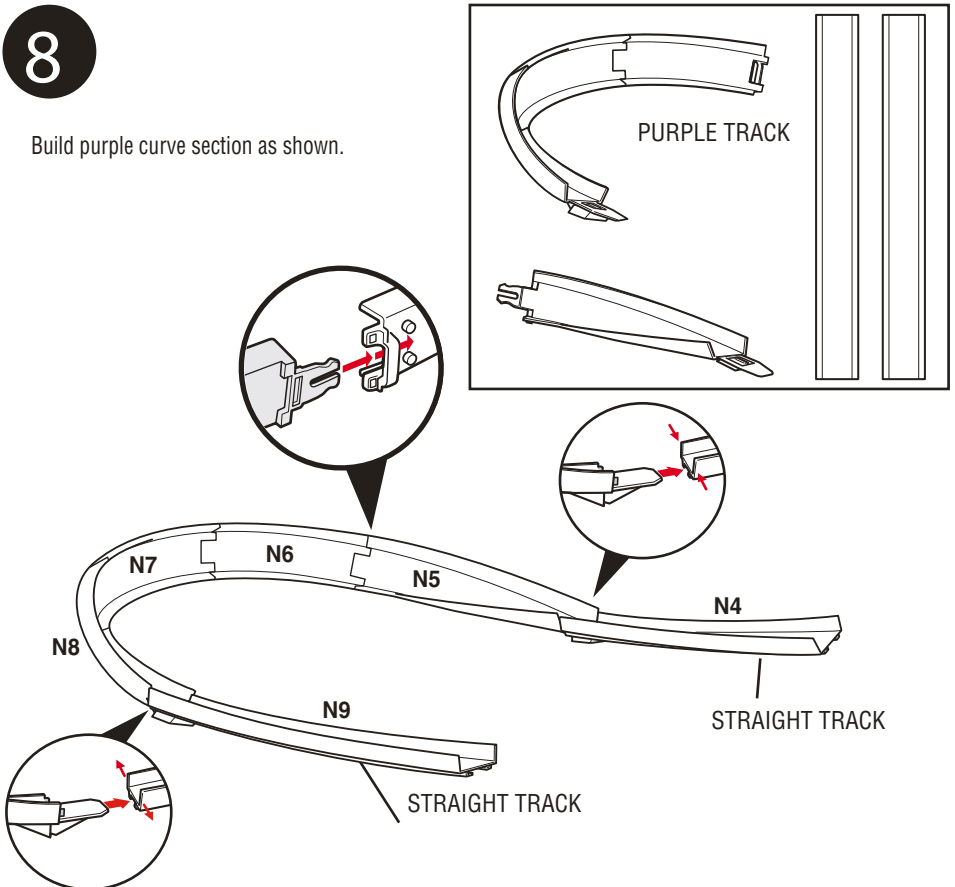


7

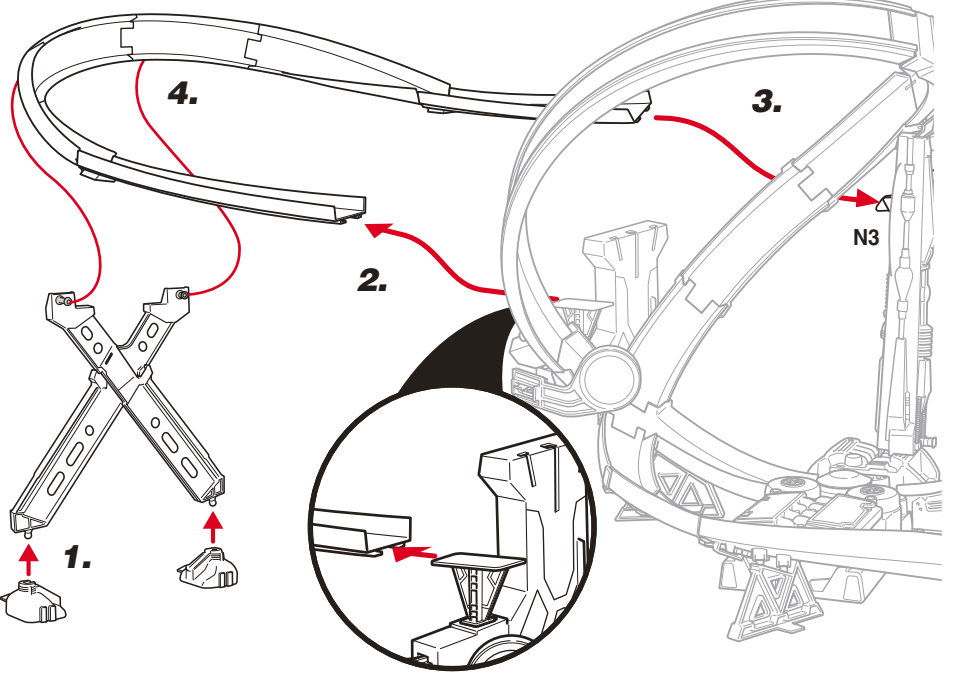
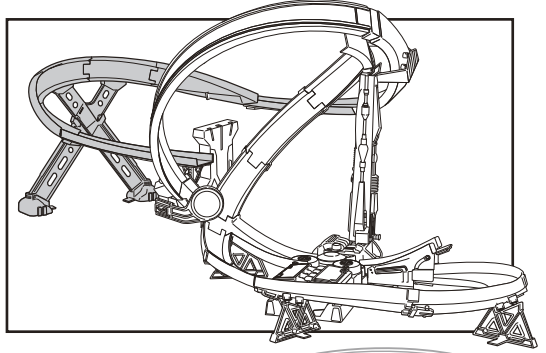


8

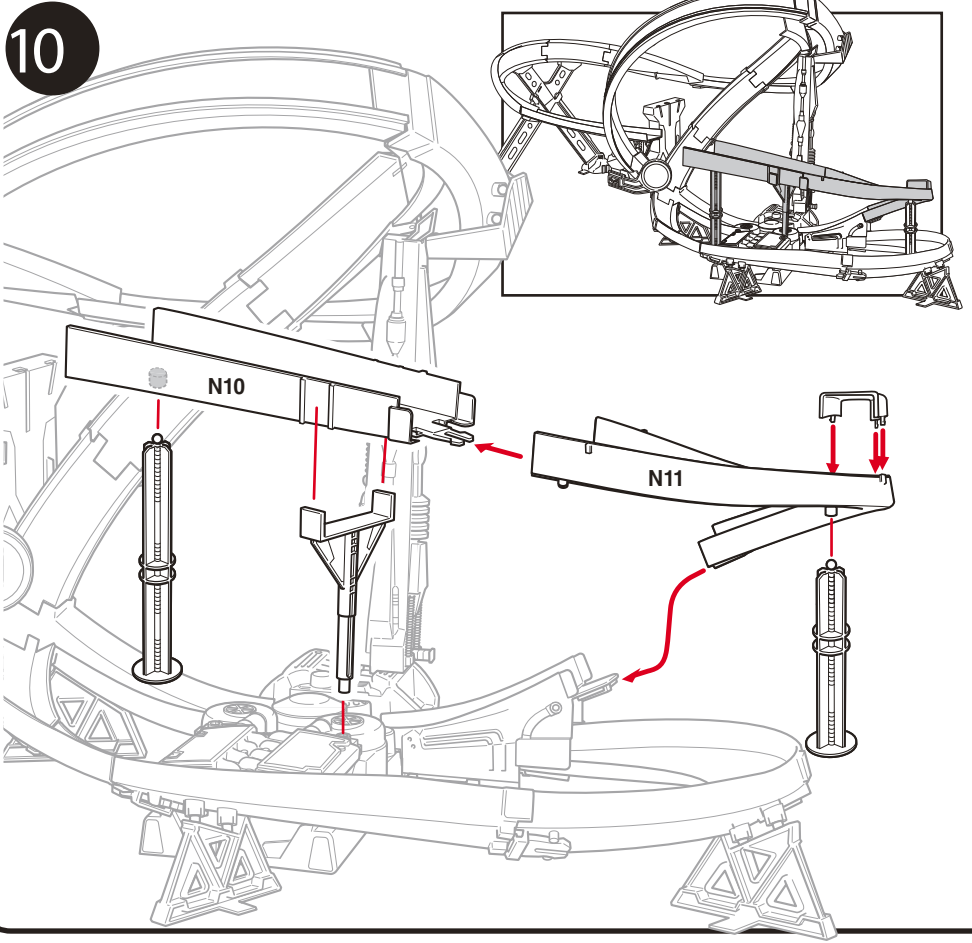
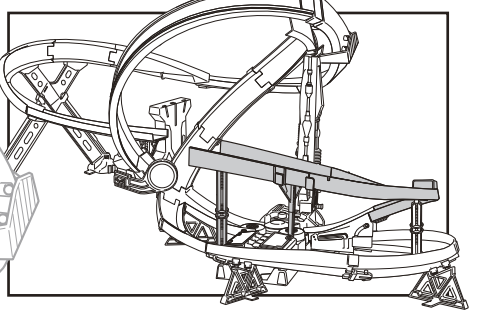
Build purple curve section as shown.



9

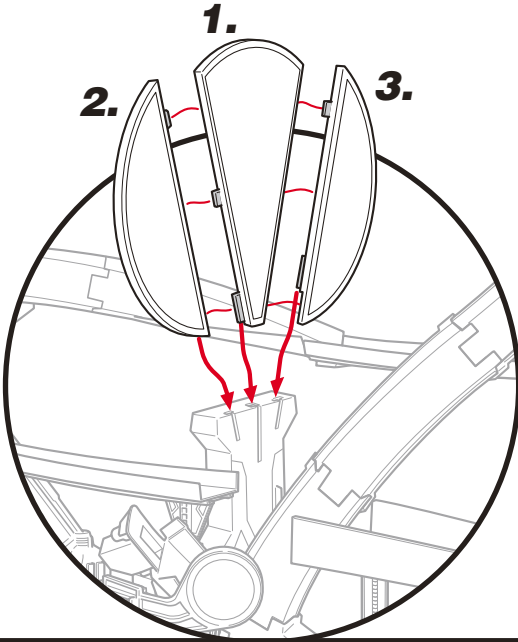
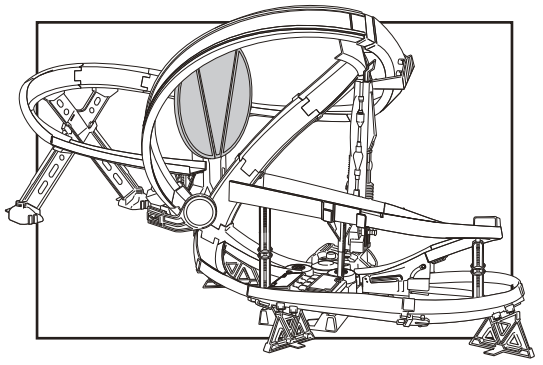


10



11

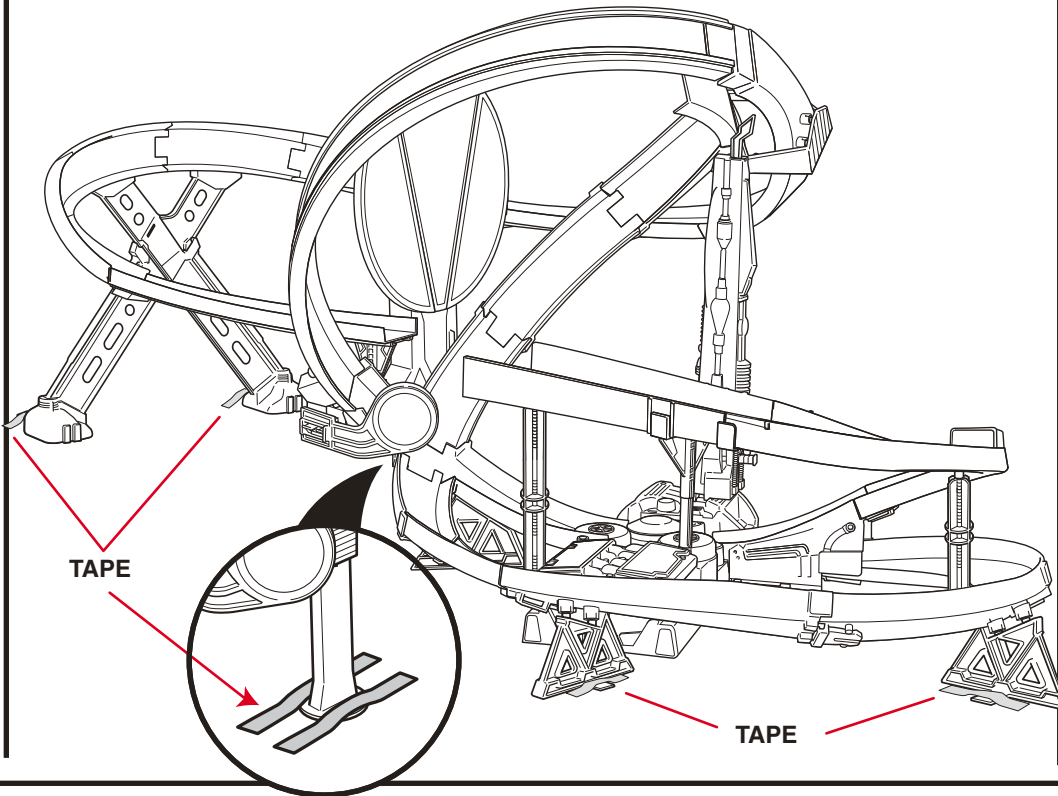
SET THE METEOR



Insert meteor into slots. Be sure tabs fit behind each panel.

12

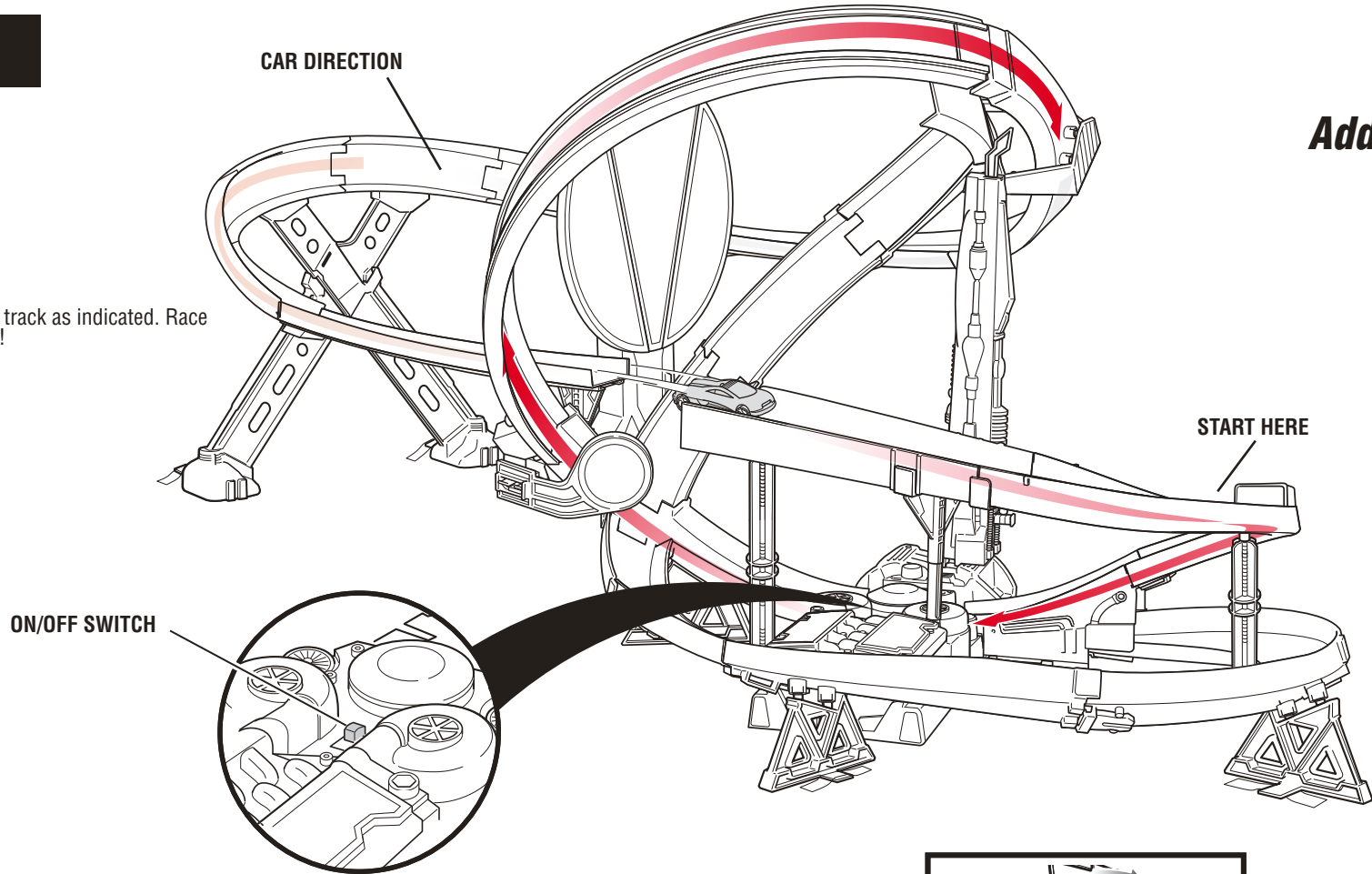
TO STABILIZE SET: On carpet, use books. On smooth floor, tape base to surface.



TO PLAY

COURSE 1

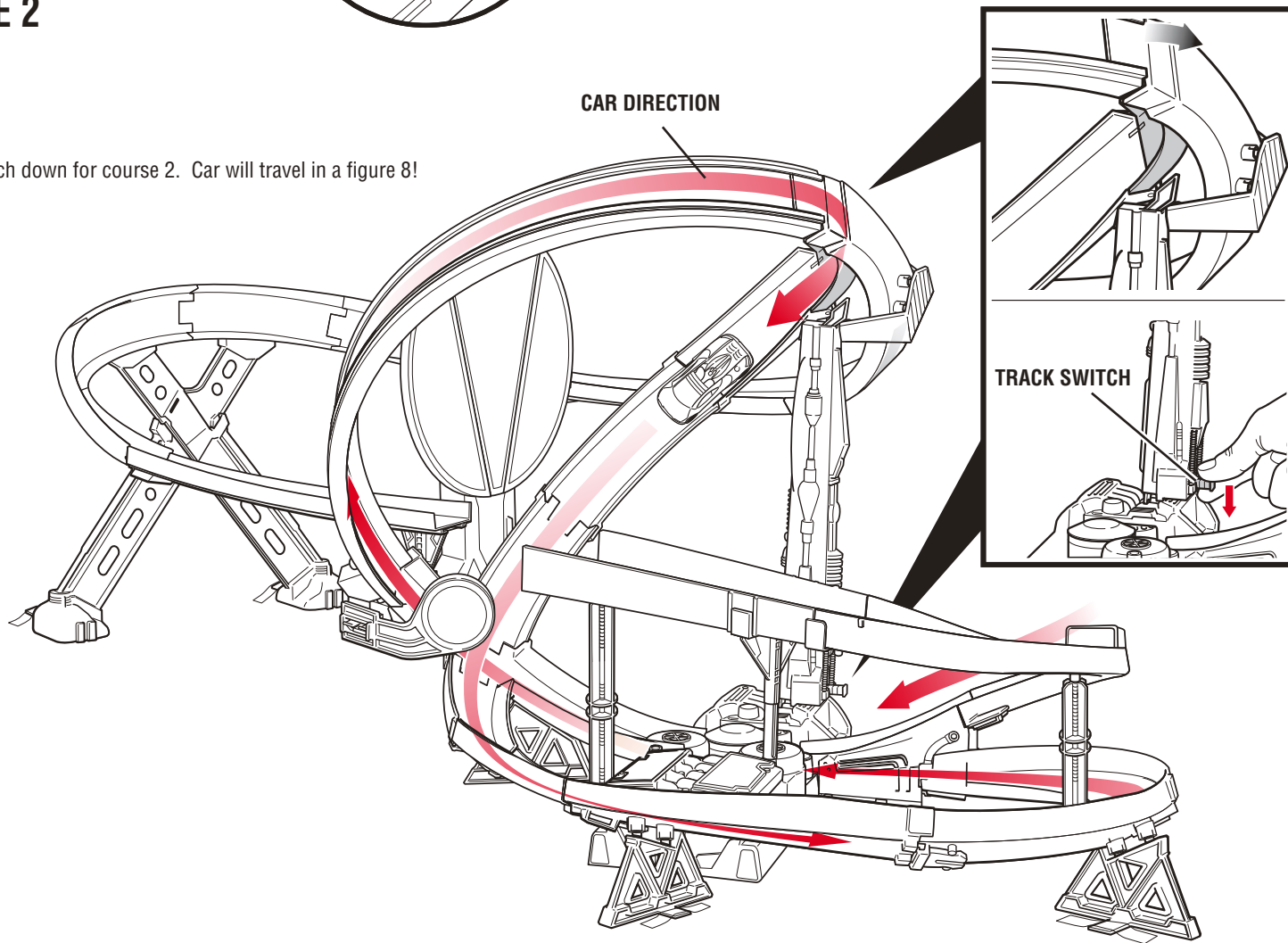
Turn power switch on. Place car on track as indicated. Race around the track and over the jump!



Add r

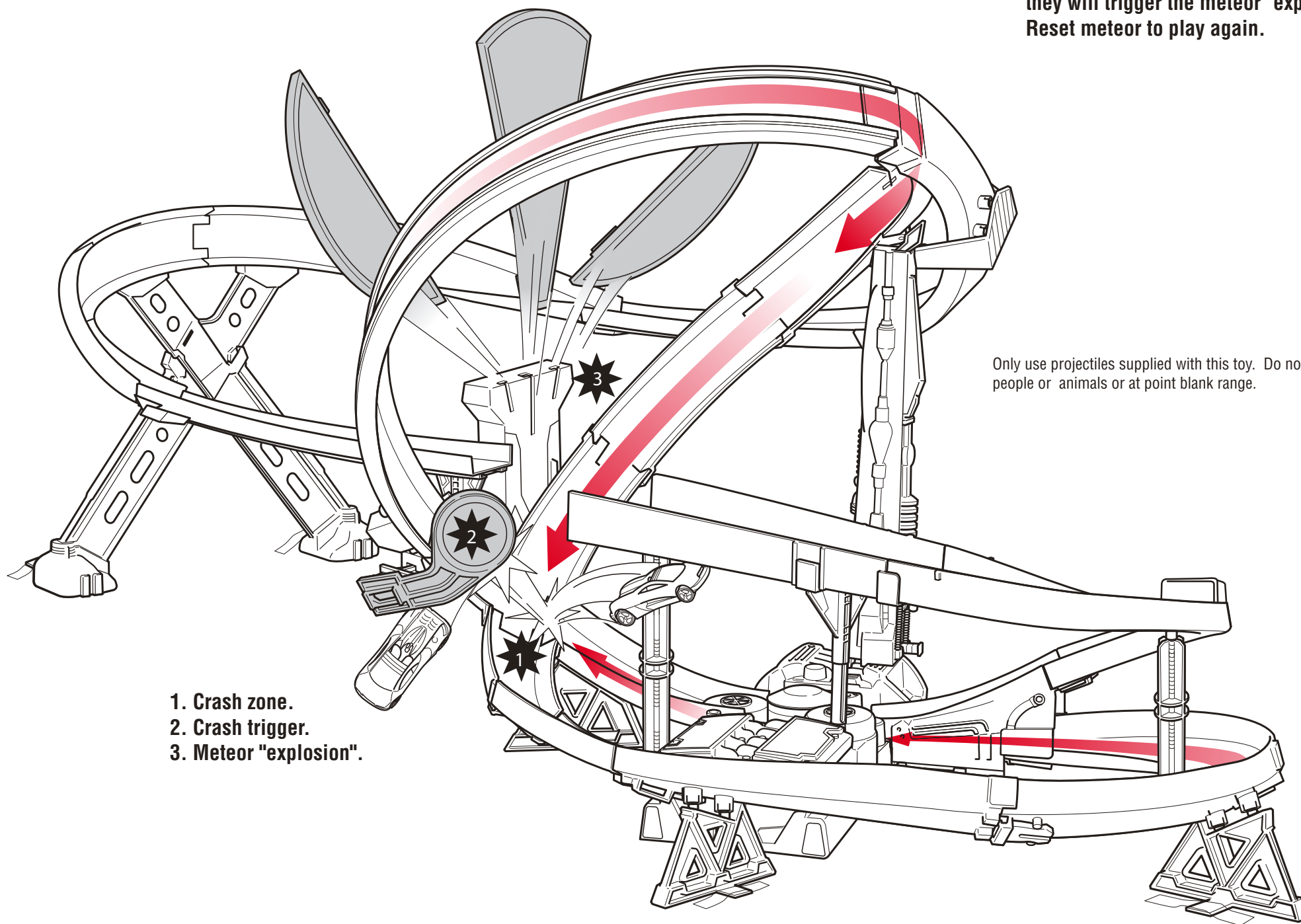
COURSE 2

Press and hold track switch down for course 2. Car will travel in a figure 8!



more vehicles and watch for the crash!

Place additional cars on the track. When the cars cross paths in the crash zone, they will trigger the meteor "explosion". Reset meteor to play again.



- 1. Crash zone.**
- 2. Crash trigger.**
- 3. Meteor "explosion".**

Only use projectiles supplied with this toy. Do not fire at people or animals or at point blank range.